

[54] COMPARTMENTED TRAY FOR DRAFTING SUPPLIES

[76] Inventor: Richard W. Chatham, P.O. Box 6361, Greensboro, N.C. 27406

[\*\*] Term: 14 Years

[21] Appl. No.: 474,142

[22] Filed: Mar. 10, 1983

Related U.S. Application Data

[63] Continuation-in-part of Ser. No. 277,938, Jun. 26, 1981.

[52] U.S. Cl. .... D19/77; D3/74; D9/347; D19/78; D19/79

[58] Field of Search ..... D19/75, 77-80, D19/82-86, 90, 92; 206/214, 216, 224, 371; D9/347; D3/30.1, 74

[56] References Cited

U.S. PATENT DOCUMENTS

D. 201,716	7/1965	Franklin	.....	D19/92
D. 213,933	4/1969	Folkman	.....	D9/347
D. 241,226	8/1976	Chatham	.....	D9/347
D. 264,225	5/1982	Hermes	.....	D19/77
D. 266,675	10/1982	Polhemus et al.	.....	D19/77
D. 270,256	8/1983	Sankey	.....	D19/77

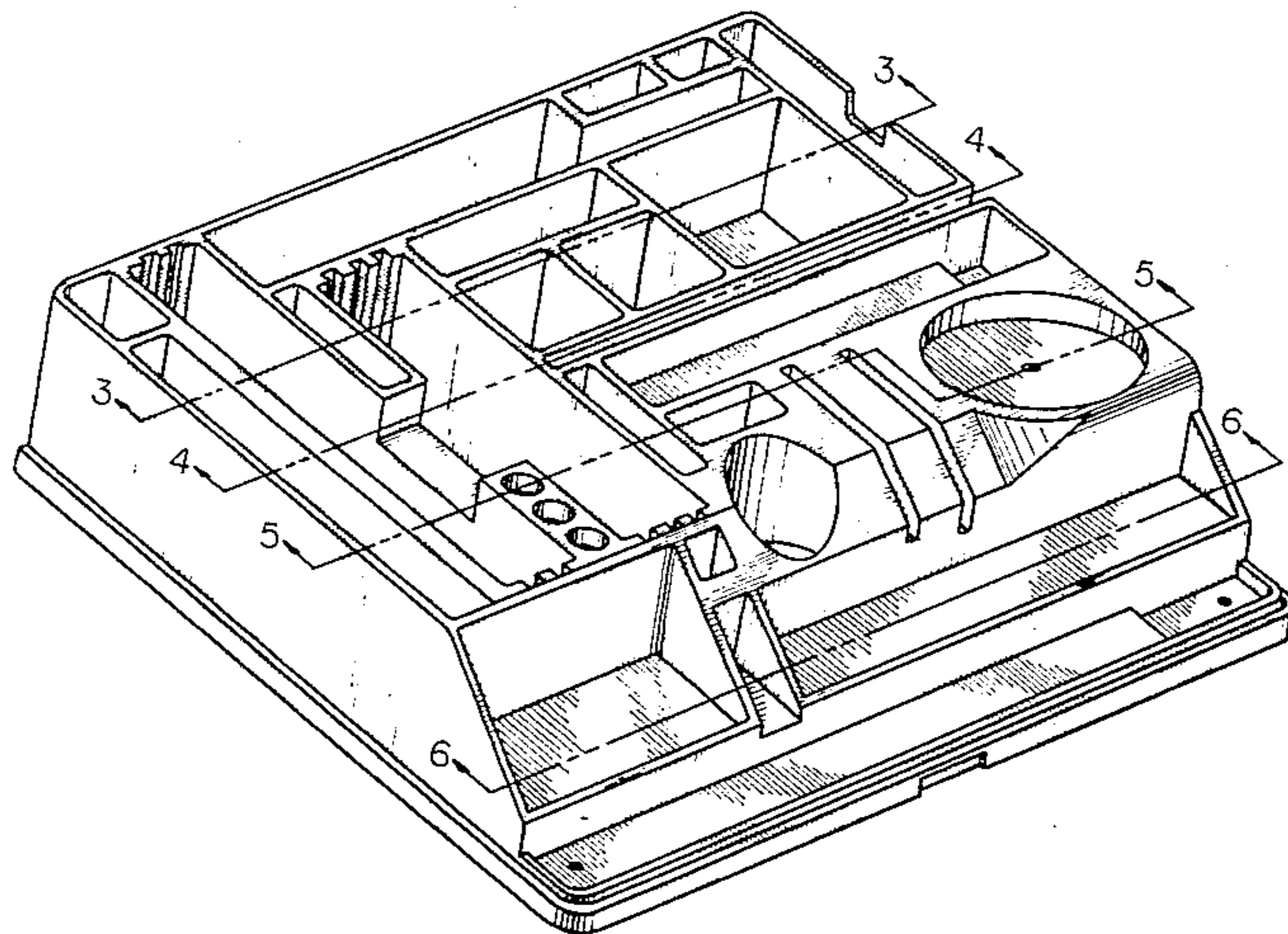
Primary Examiner—George P. Word  
Attorney, Agent, or Firm—Charles R. Rhodes; Judith E. Garmon

[57] CLAIM

The ornamental design for a compartmented tray for drafting supplies, as shown and described.

DESCRIPTION

FIG. 1 is a left front perspective view of a compartmented tray for drafting supplies showing my new design;  
FIG. 2 is a right front perspective view thereof;  
FIG. 3 is an enlarged scale cross-sectional view thereof taken along lines 3—3 of FIG. 1;  
FIG. 4 is an enlarged scale cross-sectional view thereof taken along lines 4—4 of FIG. 1;  
FIG. 5 is an enlarged scale cross-sectional view thereof taken along lines 5—5 of FIG. 1;  
FIG. 6 is an enlarged scale cross-sectional view thereof taken along lines 6—6 of FIG. 1;  
FIG. 7 is an enlarged scale cross-sectional view thereof taken along lines 7—7 of FIG. 2; and  
FIG. 8 is an enlarged scale cross-sectional view thereof taken along lines 8—8 of FIG. 2; the rear wall of said tray is plain.



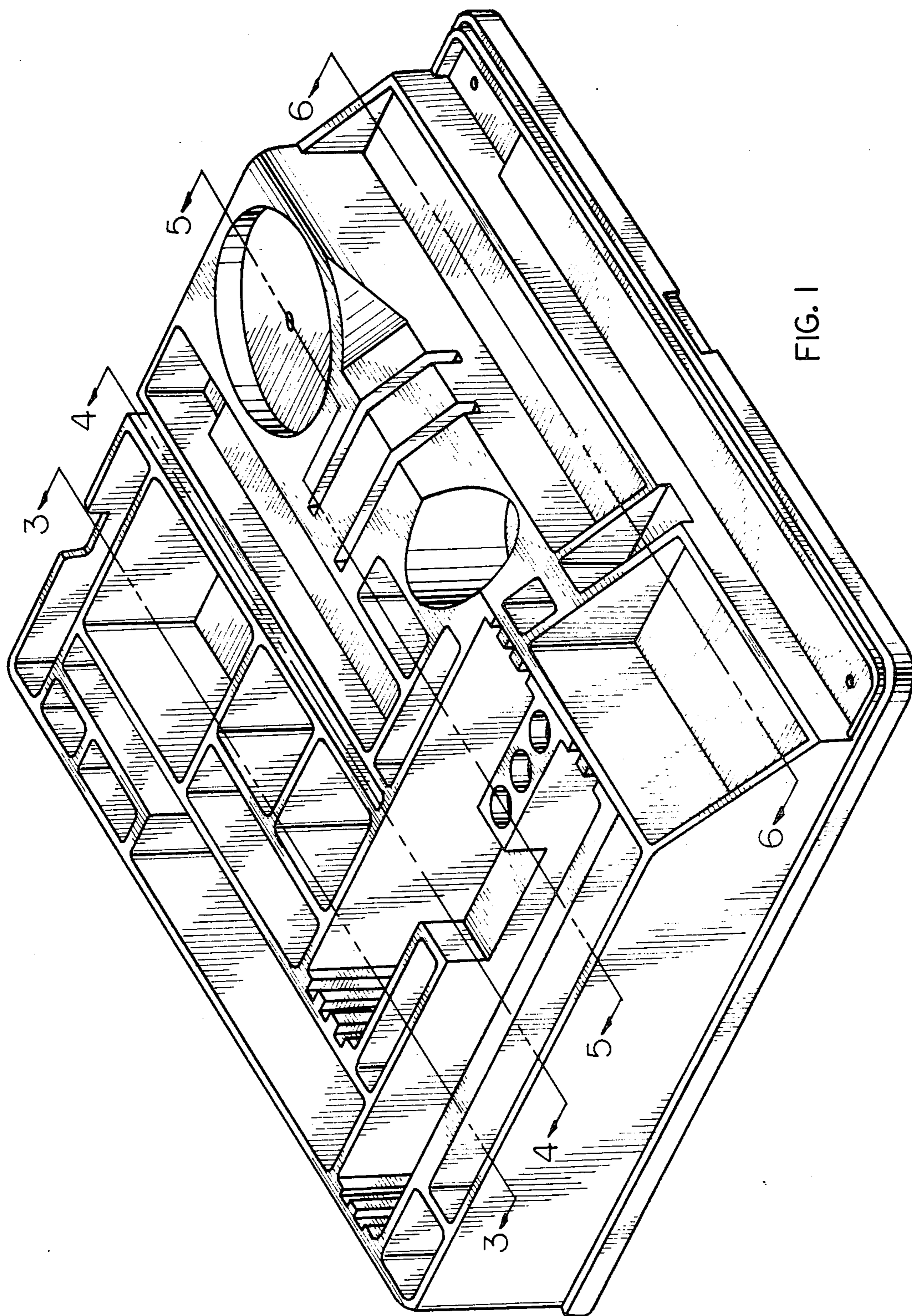


FIG. 1

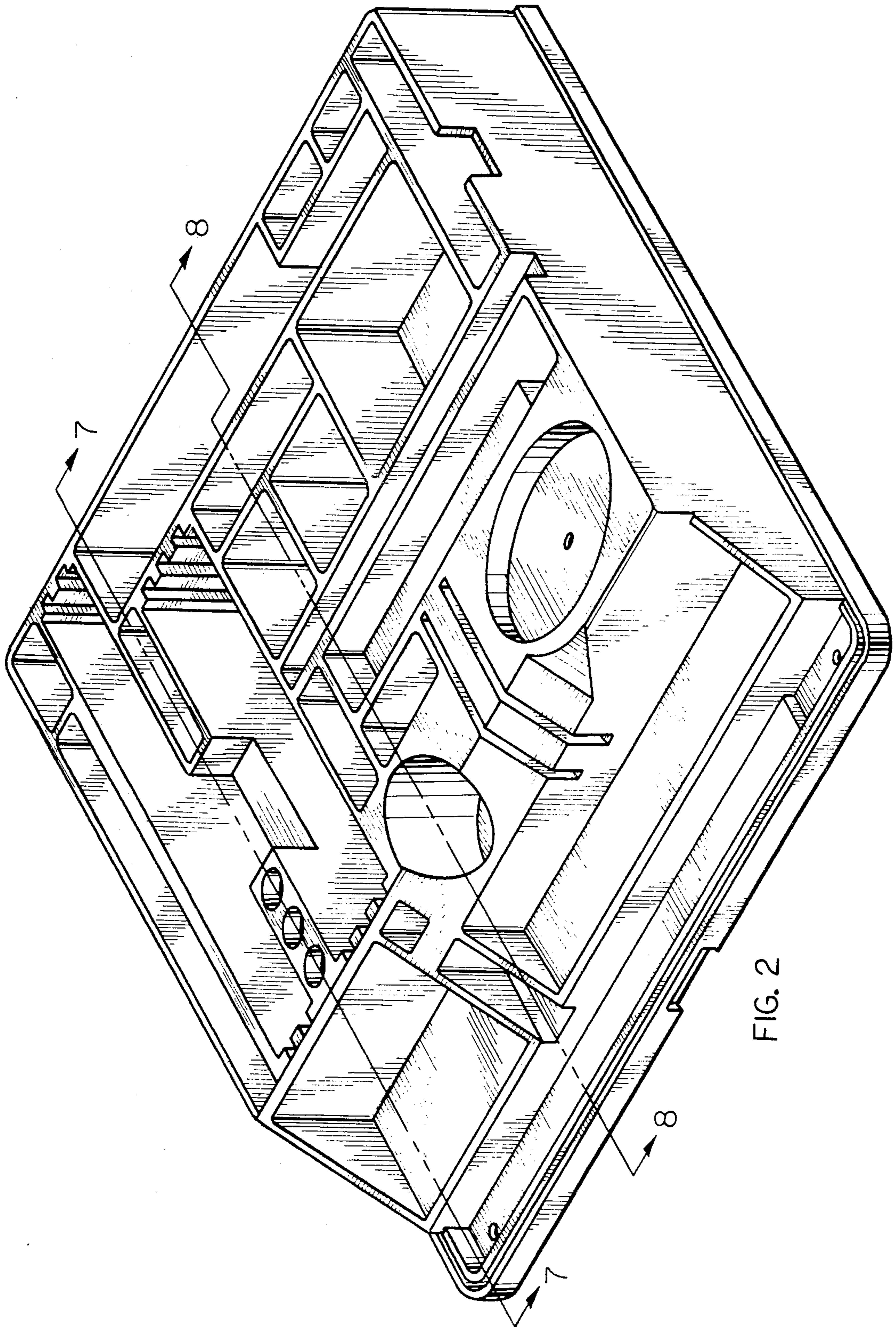


FIG. 2

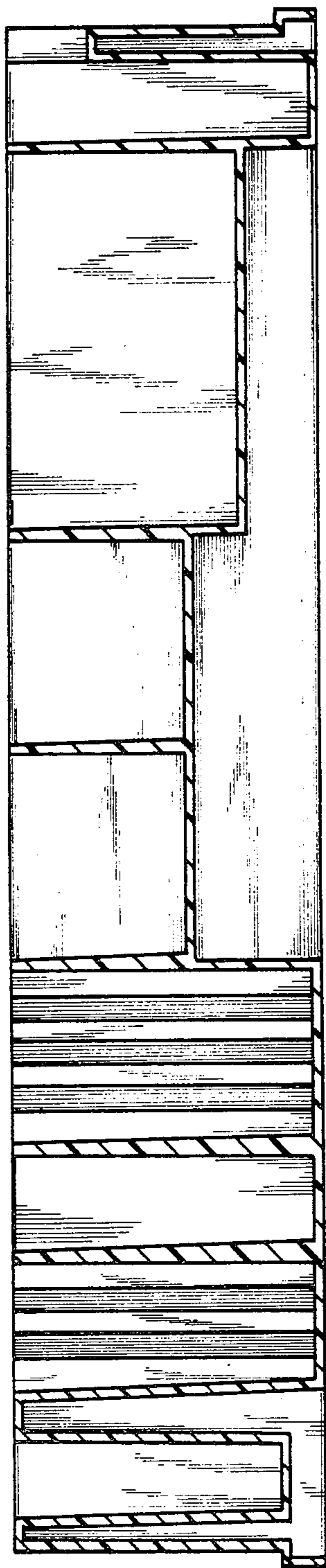


FIG. 3

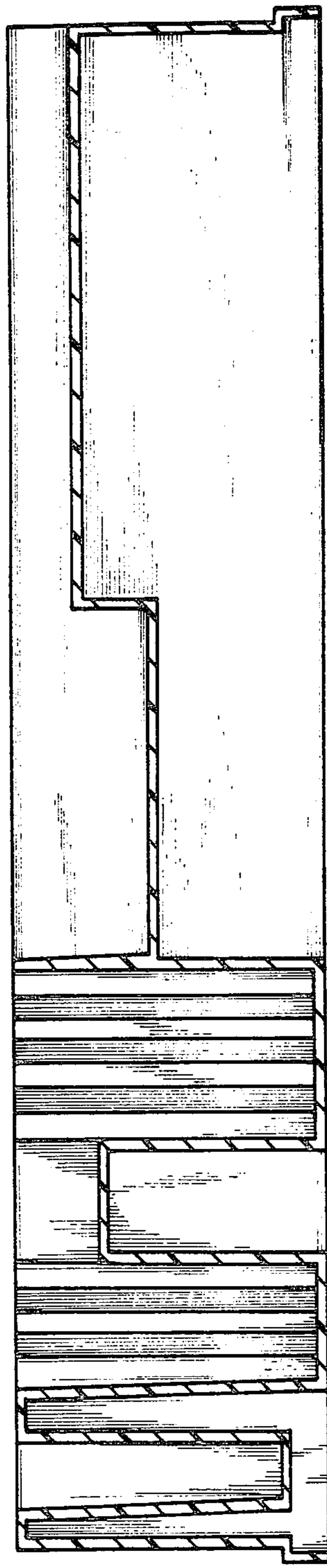


FIG. 4

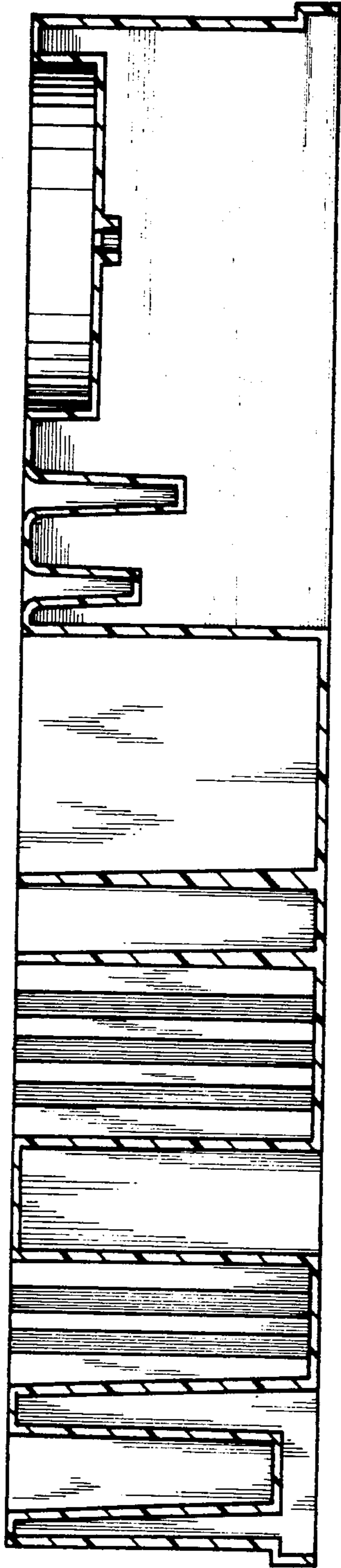


FIG. 5

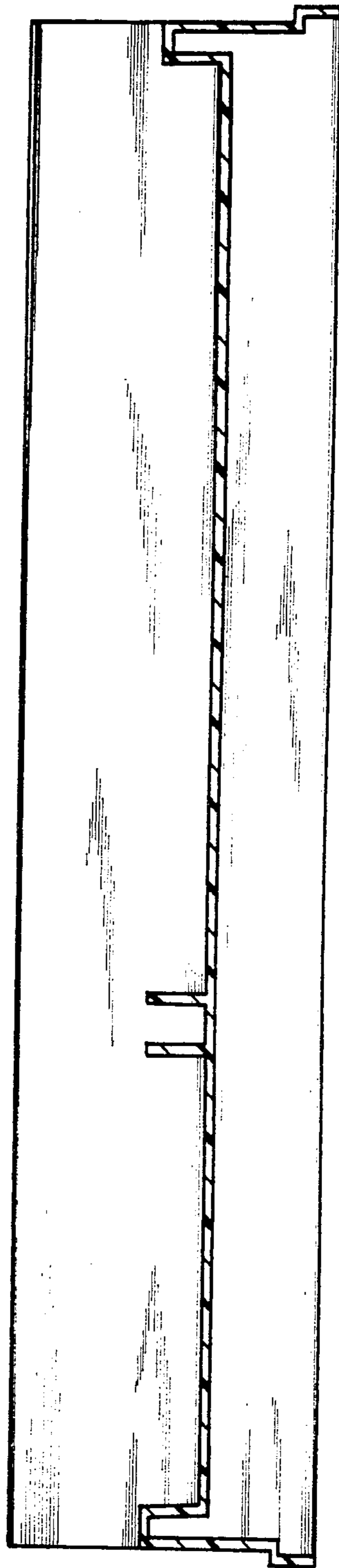


FIG. 6

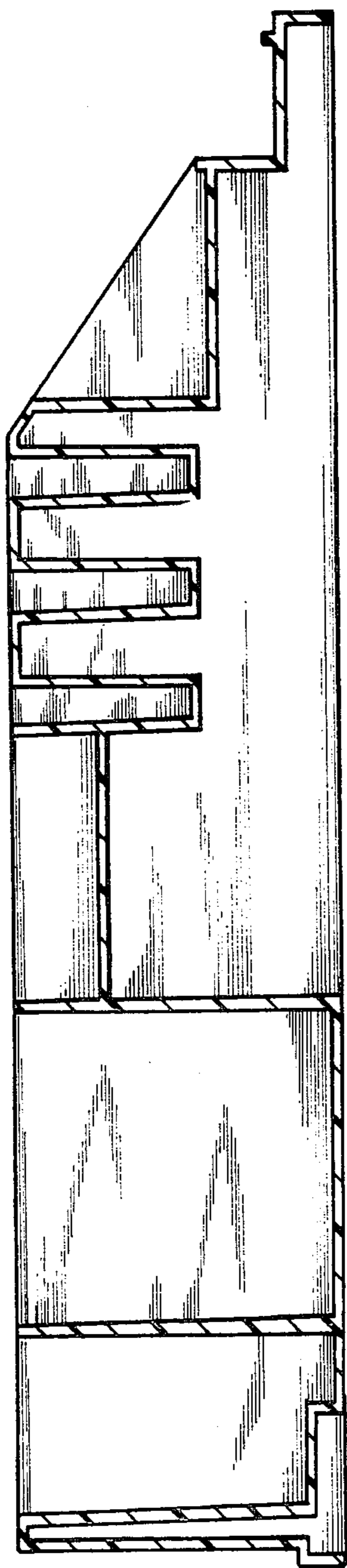


FIG. 7

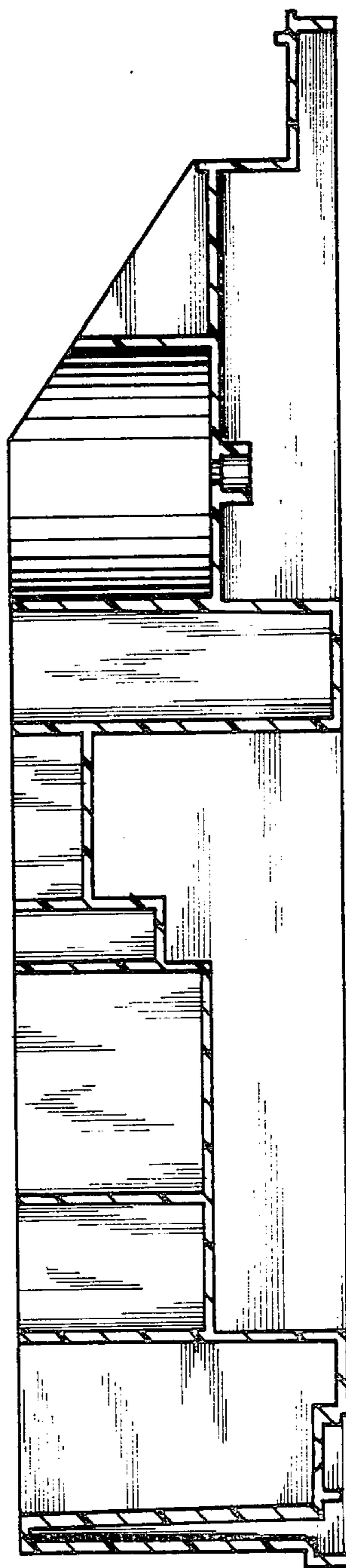


FIG. 8