

[54] ADHESIVE TAPE APPLICATOR

[75] Inventor: Ermanno Grassi, Varese, Italy
[73] Assignee: Comet S.A.R.A. Societa Autoadesivi Resin E Affine S.P.A., Concagno, Italy

[**] Term: 14 Years

[21] Appl. No.: 479,086

[22] Filed: Mar. 25, 1983

[30] Foreign Application Priority Data

Oct. 5, 1982 [IT] Italy 23099/82[U]
[52] U.S. Cl. D19/68; D18/19
[58] Field of Search D19/67-69; D8/68; D18/19; 101/288; 156/384

[56] References Cited

U.S. PATENT DOCUMENTS

D. 214,403	6/1969	Kaplan	D18/19
2,582,980	1/1952	Fritzinger	D19/69
3,656,430	4/1972	Olsson	101/288
3,800,701	4/1974	Martin	D18/19
3,890,188	6/1975	Sams	D18/19
4,125,420	11/1978	Hamisch, Jr.	101/288

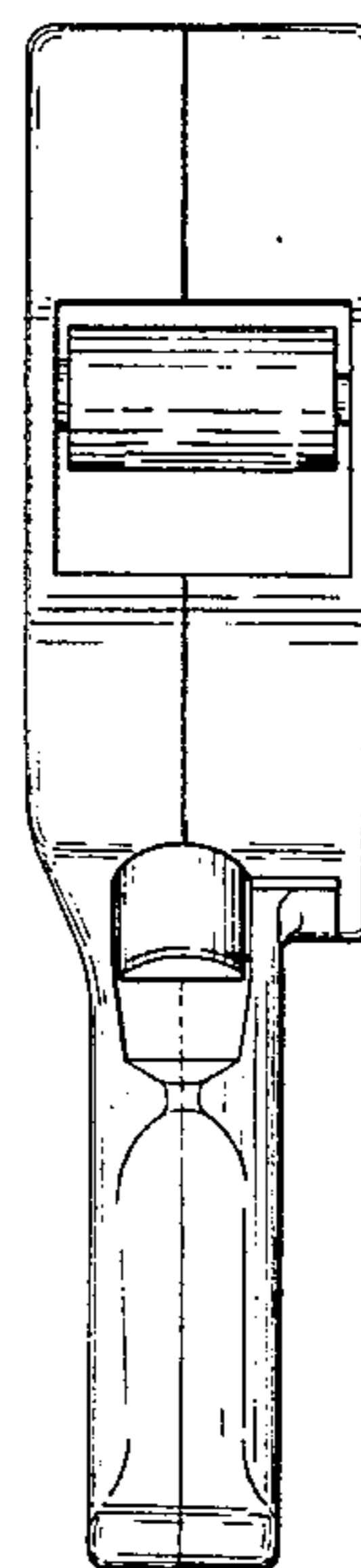
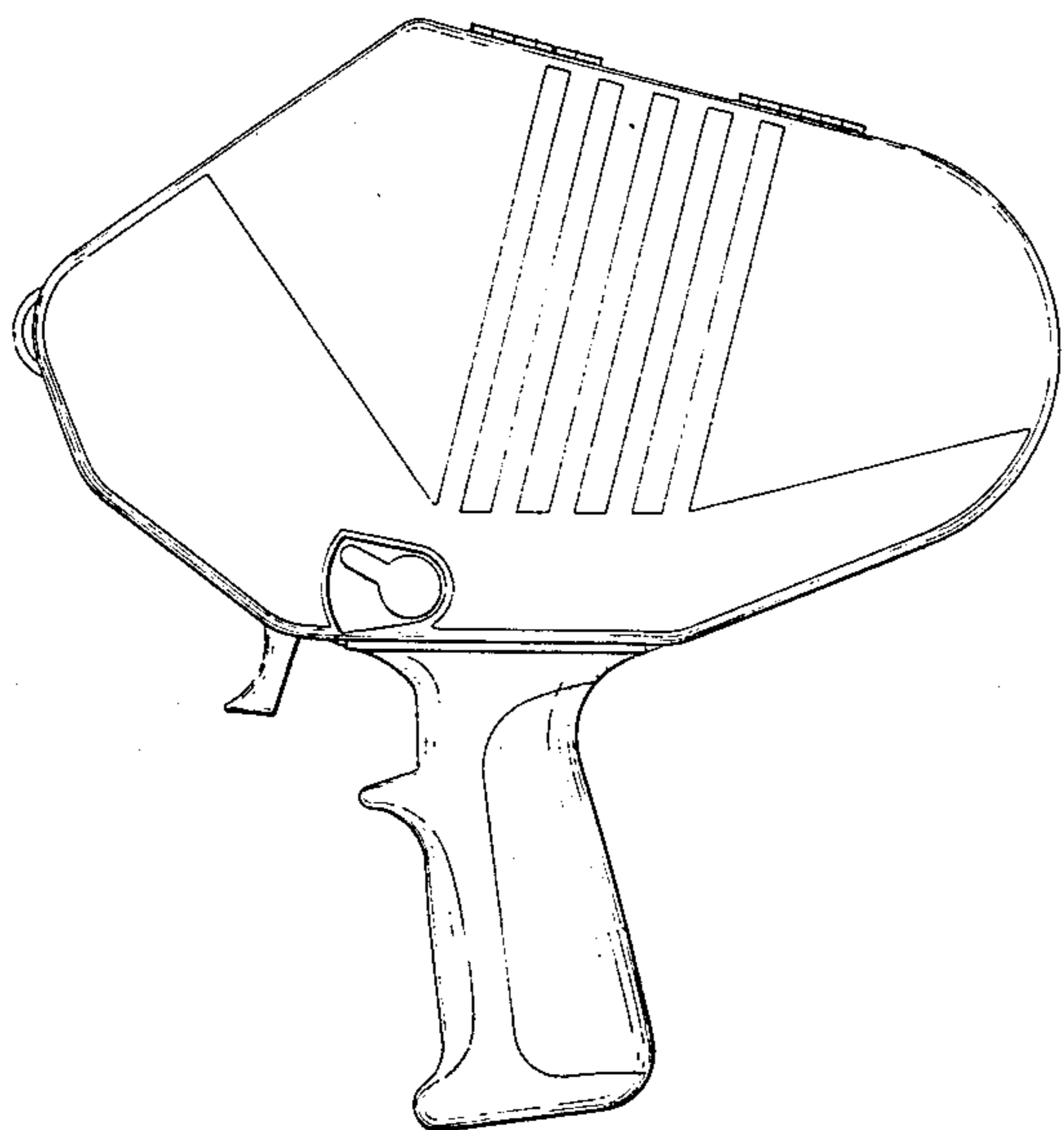
Primary Examiner—George P. Word
Attorney, Agent, or Firm—Holman & Stern

[57] CLAIM

The ornamental design for an adhesive tape applicator, as shown.

DESCRIPTION

FIG. 1 is a right side elevational view of an adhesive tape applicator showing my new design; FIG. 2 is a left side elevational view thereof; FIG. 3 is a front elevational view thereof; FIG. 4 is a rear elevational view thereof; FIG. 5 is a top plan view thereof; and FIG. 6 is a bottom plan view thereof.



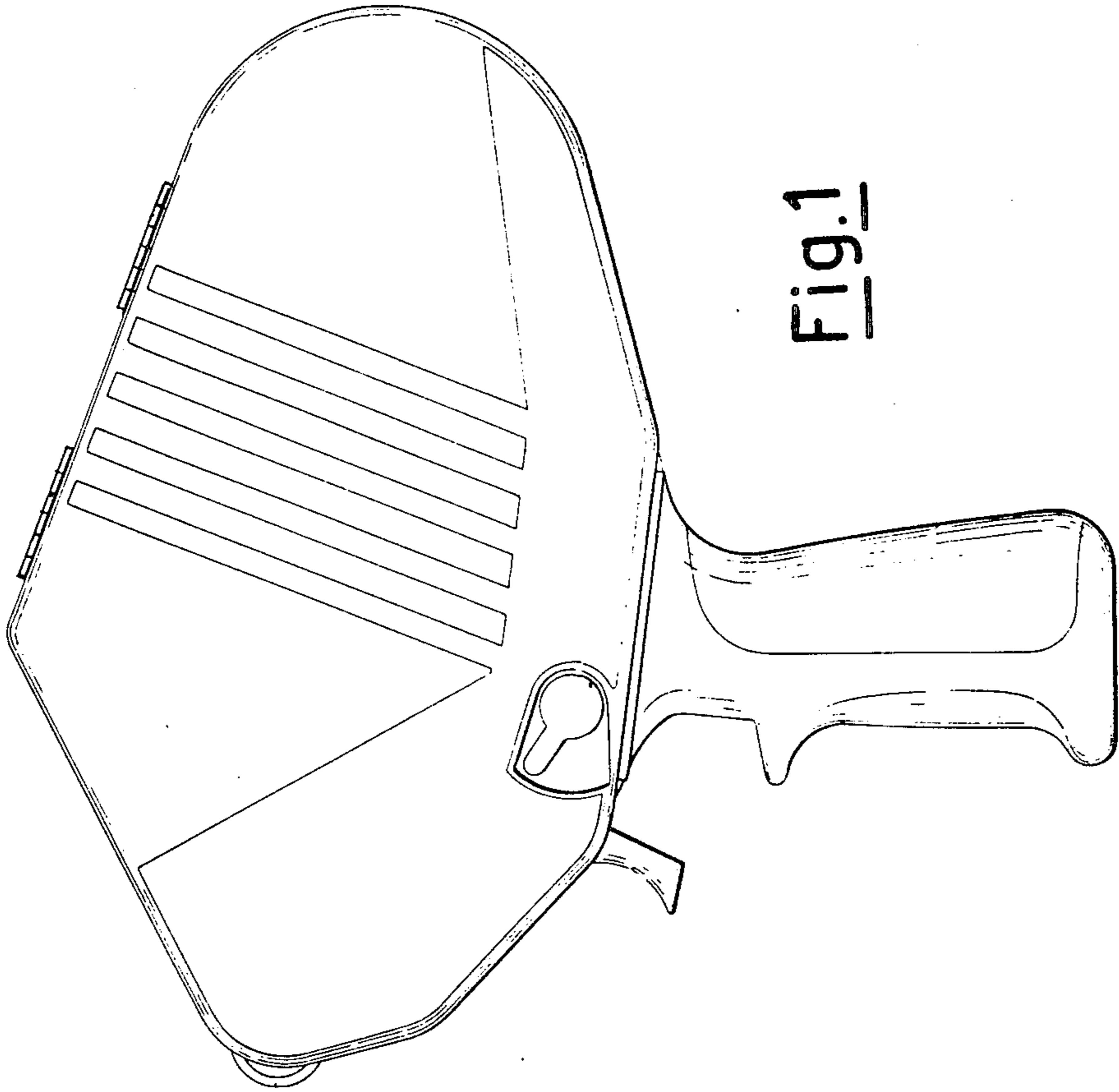


Fig. 1

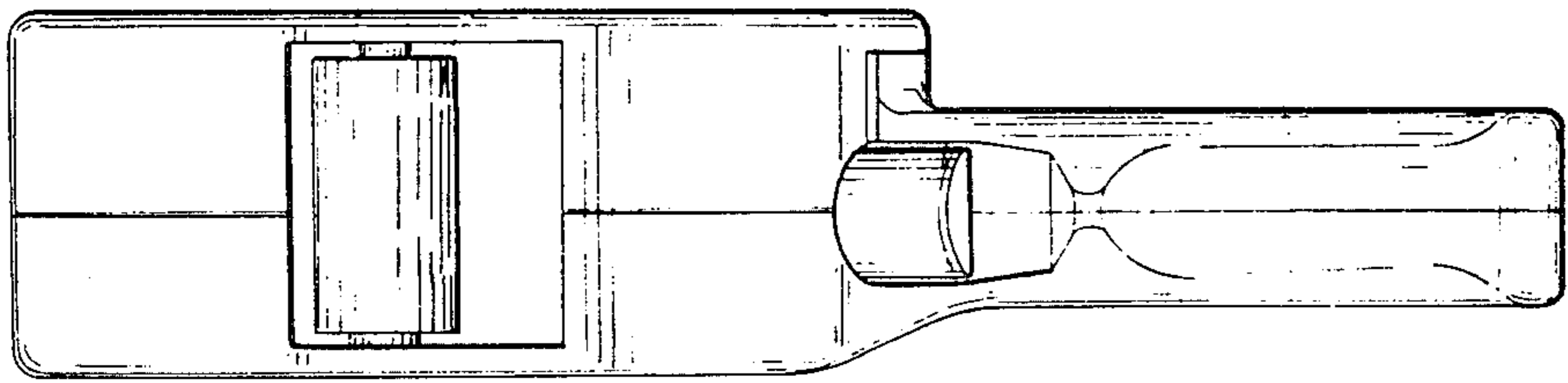


Fig. 3

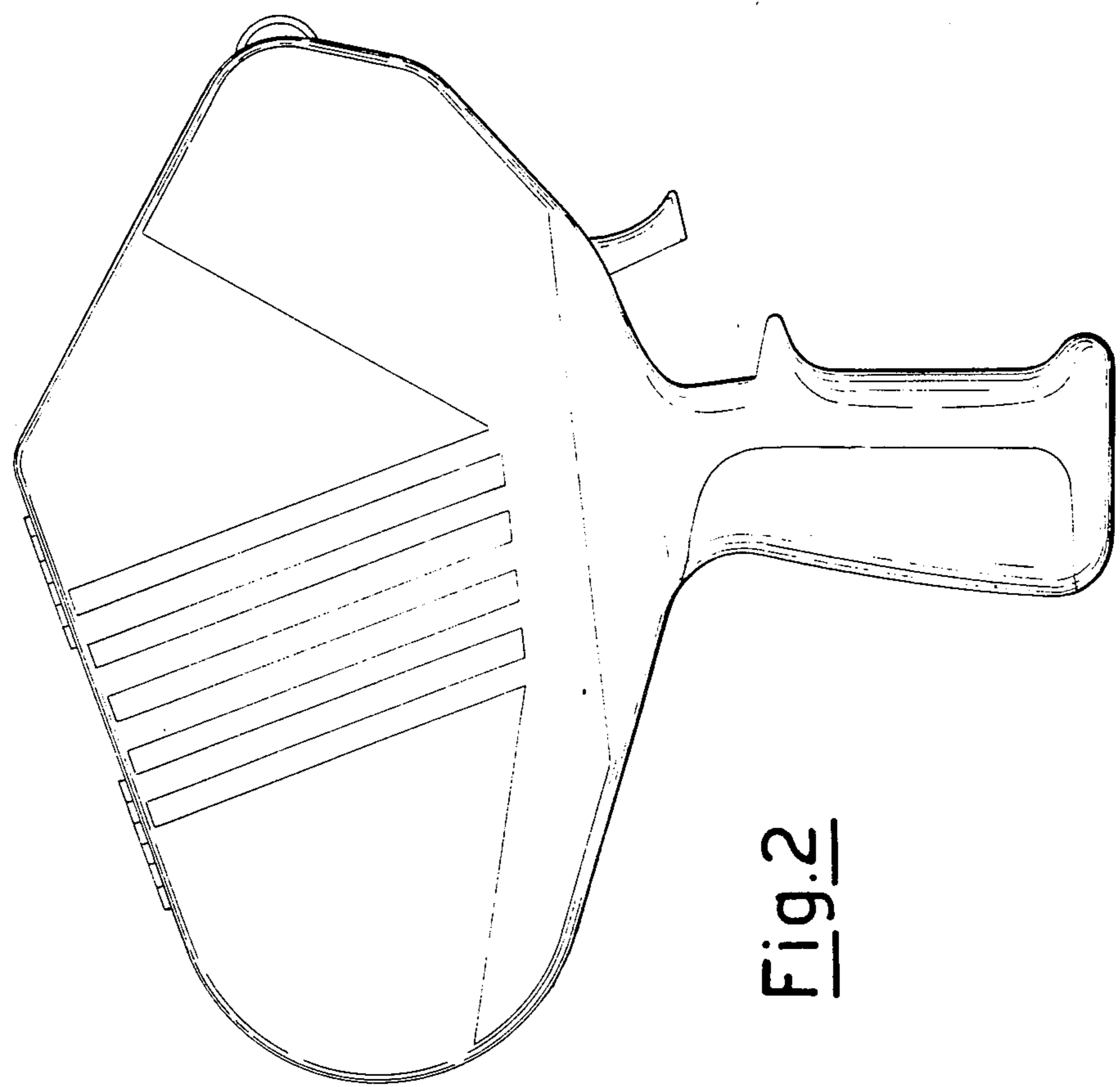


Fig. 2

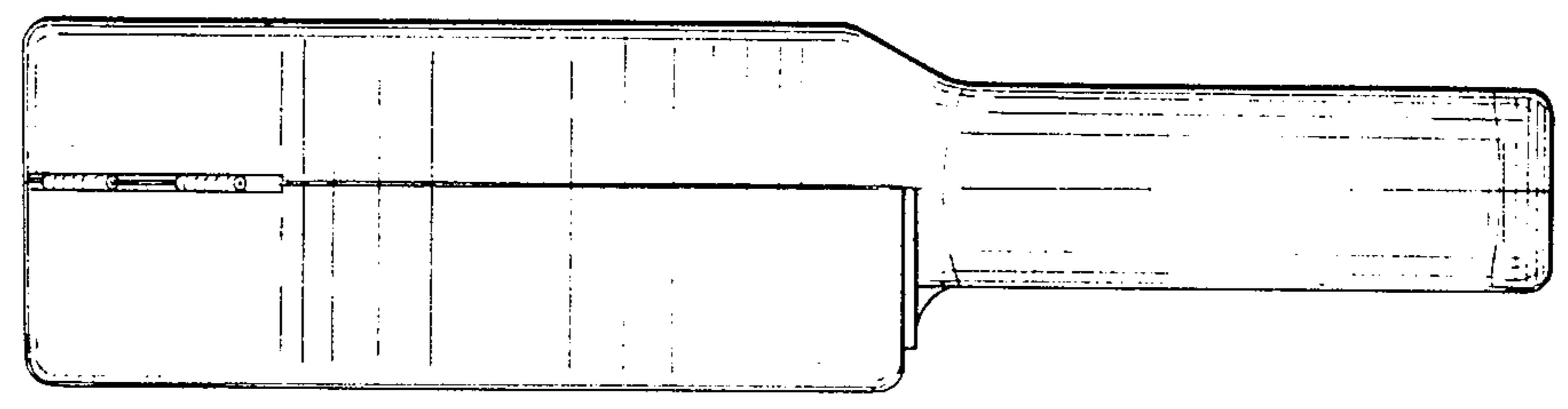


Fig. 4

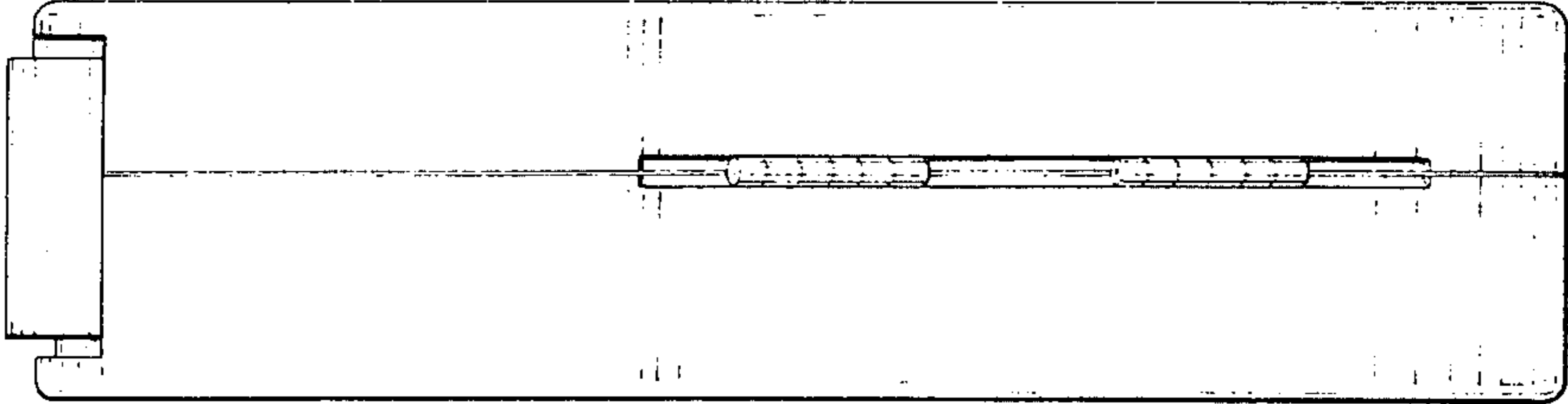


Fig. 5

Fig. 6

