

[54] WALL PARTITION LAYOUT TOOL

[76] Inventor: Tony Miller, 3266 Bozeman St., Sacramento, Calif. 95838

[\*\*] Term: 14 Years

[21] Appl. No.: 464,203

[22] Filed: Feb. 7, 1983

[52] U.S. Cl. .... D19/37; D10/64

[58] Field of Search ..... D19/37, 38, 39, 40, D19/35, 36; D10/64, 65, 71, 61, 62, 70; 33/174 B, 174 G, 1 G, 404, 479, 403, 418, 427, 474, 483

[56] References Cited

U.S. PATENT DOCUMENTS

- D. 59,926 12/1921 Richardson ..... D10/71
- D. 139,609 12/1944 Jaeger ..... D10/71 X
- D. 195,225 5/1963 Traum ..... D10/64 X
- D. 253,462 11/1979 Packard ..... D10/64

- 2,909,843 10/1959 Bechtel ..... 33/174 B
- 3,284,911 11/1966 Clark ..... 33/427 X
- 3,478,434 11/1969 Catalano ..... 33/418
- 4,060,902 12/1977 Keller ..... 33/403

Primary Examiner—Bernard Ansher  
Assistant Examiner—Theodore M. Shooman  
Attorney, Agent, or Firm—Paul L. Hickman

[57] CLAIM

The ornamental design for a wall partition layout tool, as shown and described.

DESCRIPTION

FIG. 1 is a front elevational view of a wall partition layout tool showing my new design; FIG. 2 is a top plan view thereof; FIG. 3 is a bottom plan view thereof; FIG. 4 is rear elevational view thereof; and FIG. 5 is a side elevational view thereof, the other side elevational view being a mirror image thereof.

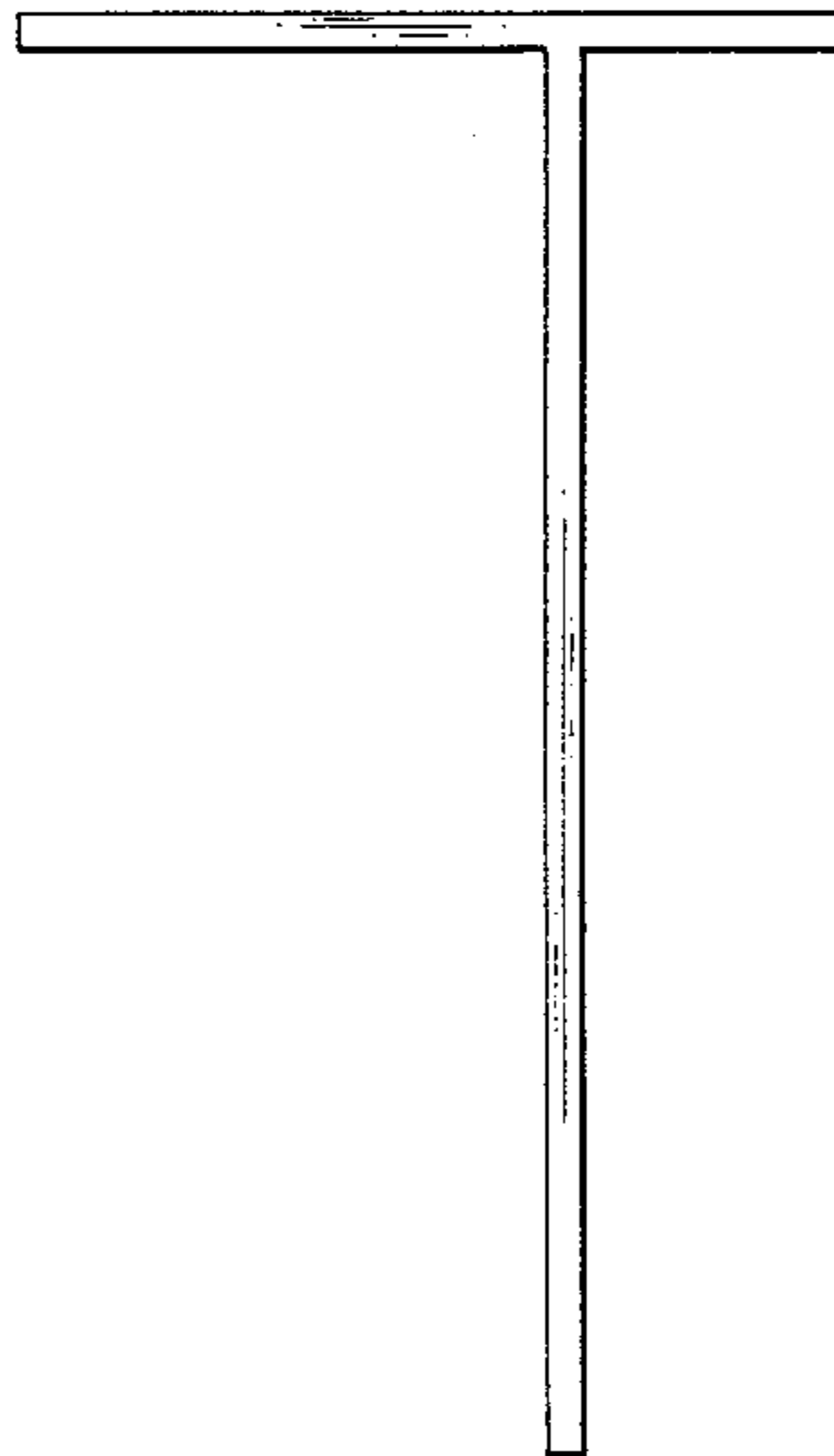
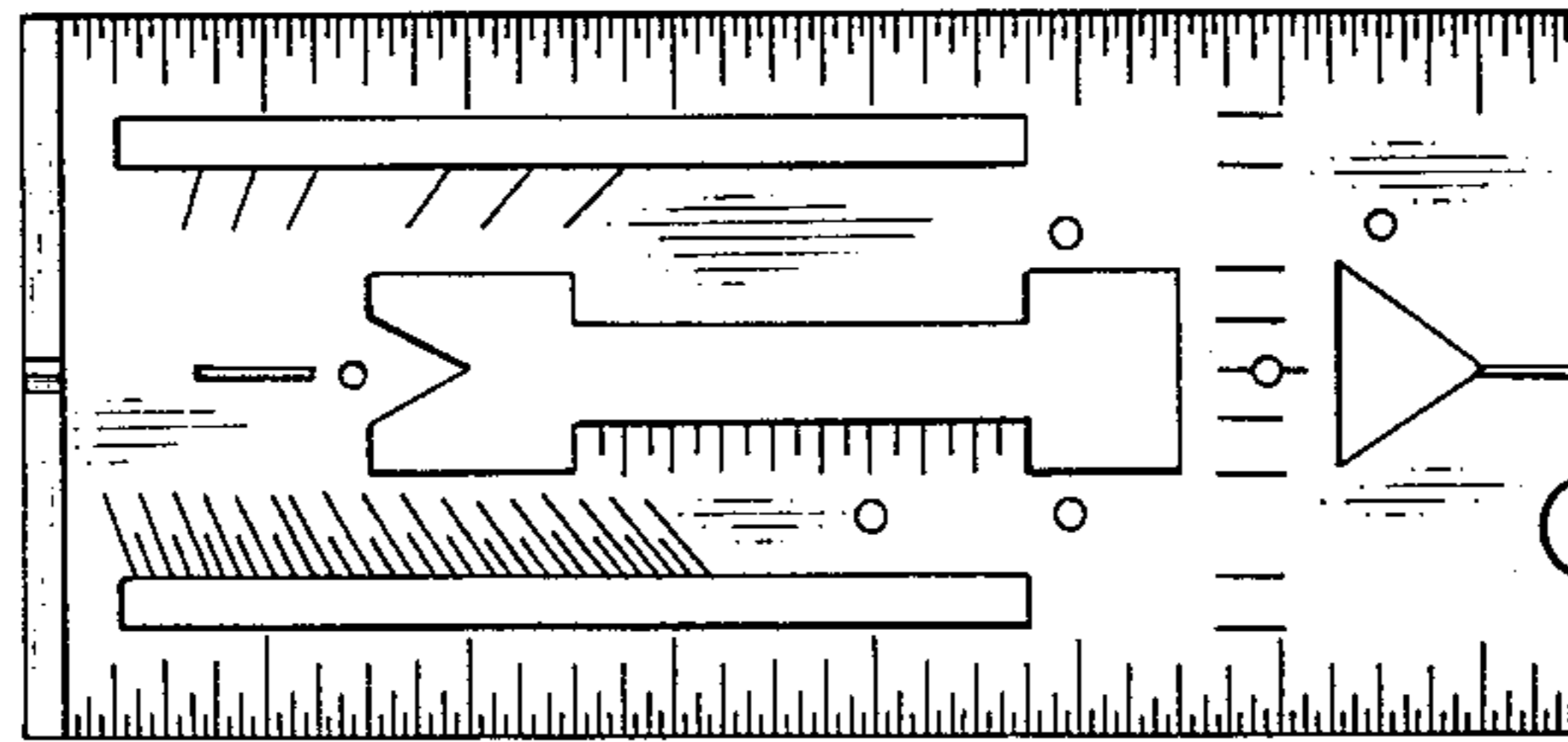


FIG-2-

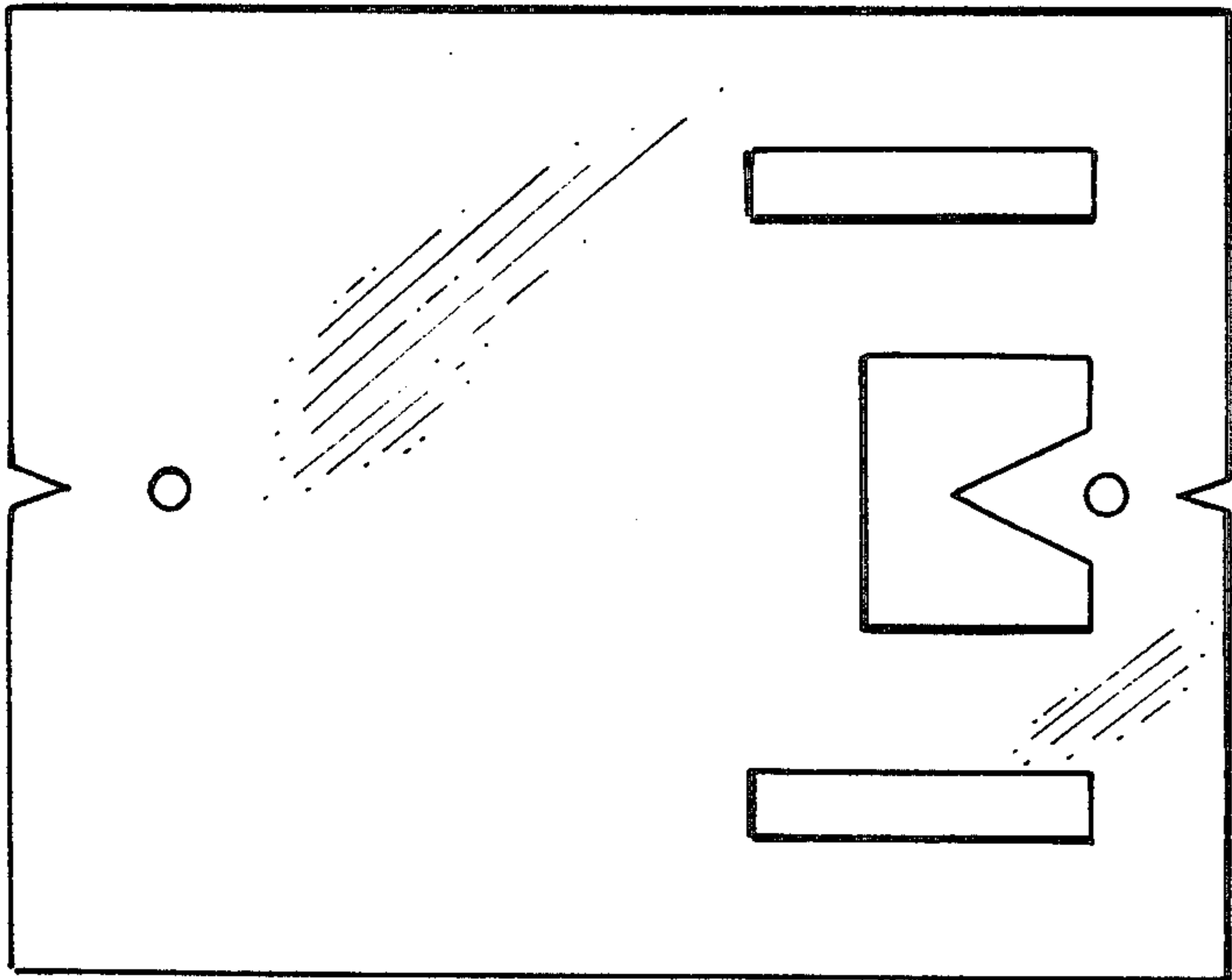


FIG-3-

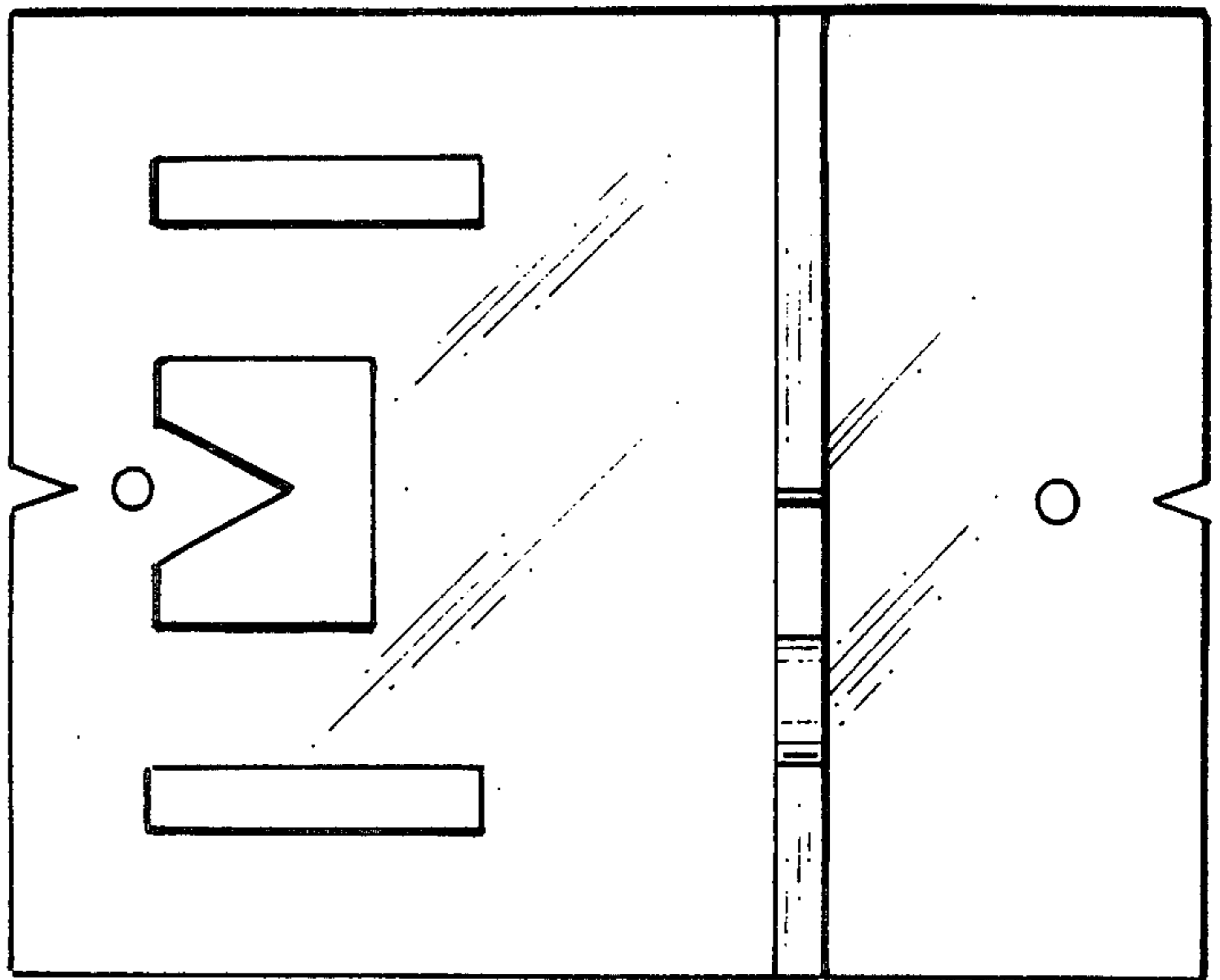


FIG-1-

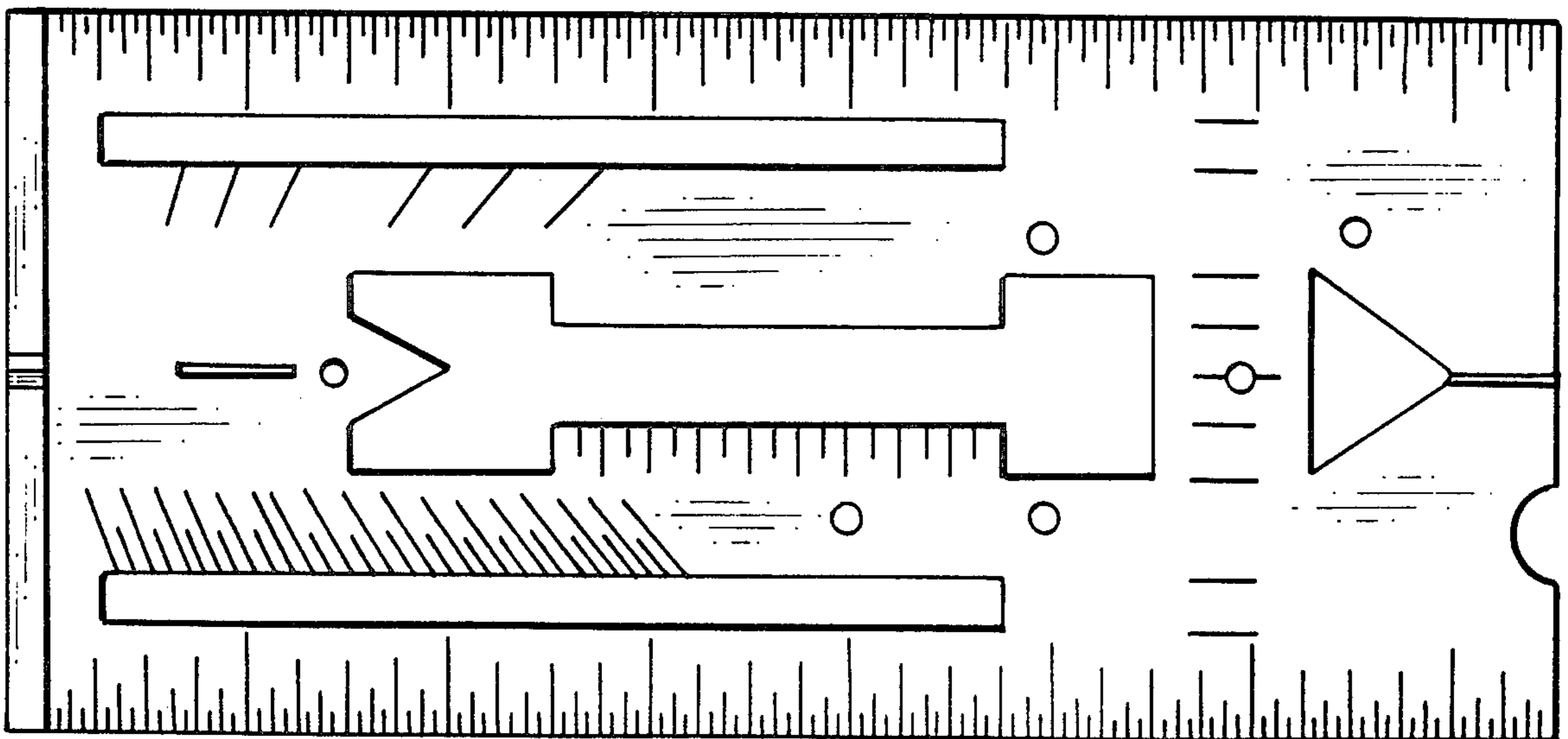


FIG. 5.

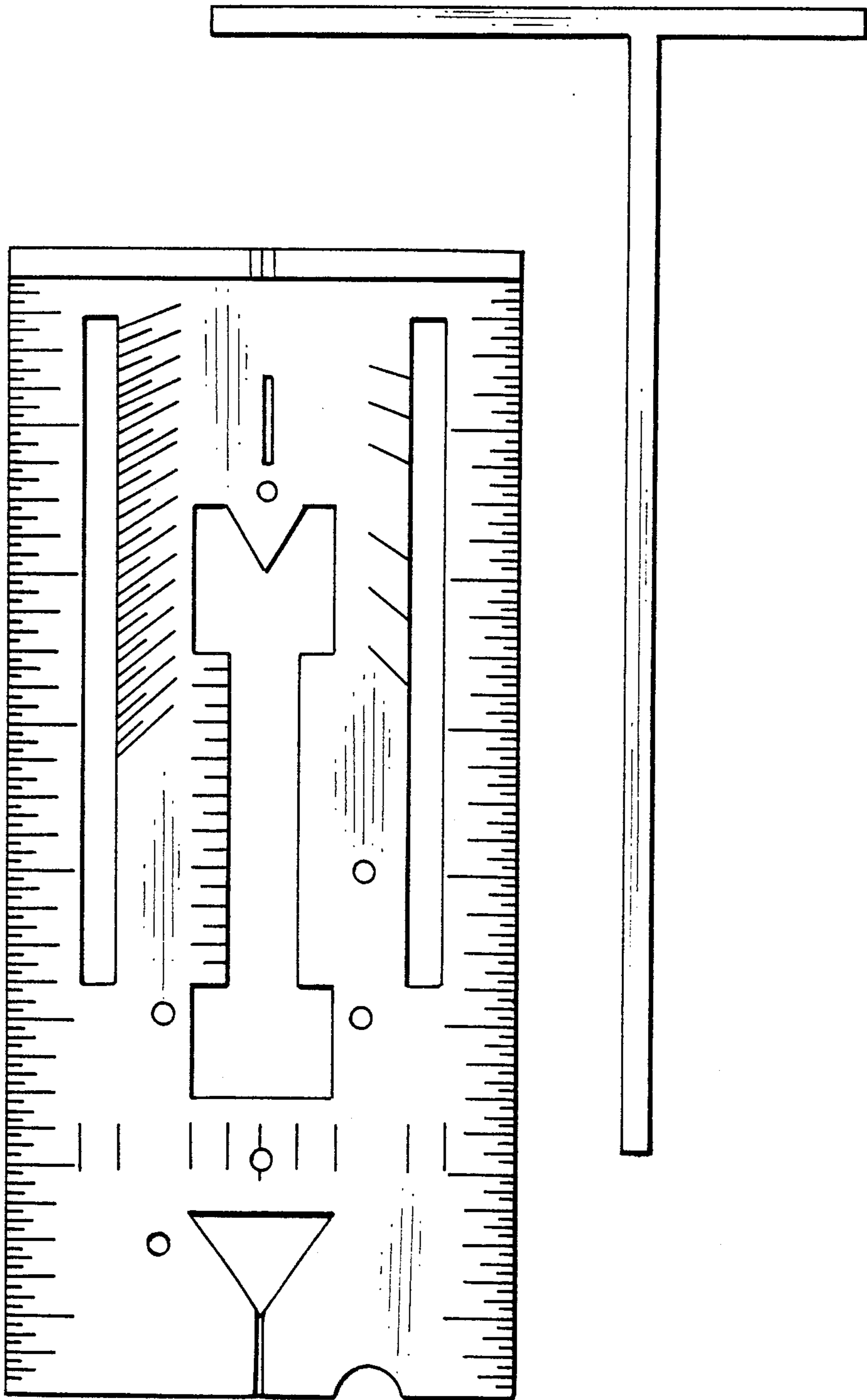


FIG. 4.