

[54] COMBINED TYPEWRITER AND COVER THEREFOR

[75] Inventor: Laurence A. Gunzi, Richmond, England

[73] Assignee: Spiralux Limited, Gillingham, Great Britain

[**] Term: 14 Years

[21] Appl. No.: 472,554

[22] Filed: Mar. 7, 1983

[52] U.S. Cl. D18/1

[58] Field of Search D18/1, 2, 12; 400/689-694; D14/100, 115

[56] References Cited

U.S. PATENT DOCUMENTS

D. 219,718	1/1971	Penney	D18/1
D. 271,309	11/1983	Hirano	D18/1
D. 273,117	3/1984	Kasagi et al.	D18/1

Primary Examiner—Louis S. Zarfes
Attorney, Agent, or Firm—Lee, Smith & Zickert

[57] CLAIM

The ornamental design for a combined typewriter and cover therefor, as shown and described.

DESCRIPTION

FIG. 1 is a front perspective view of a combined typewriter and cover therefor showing my new design with the cover removed;

FIG. 2 is a left side elevation thereof;

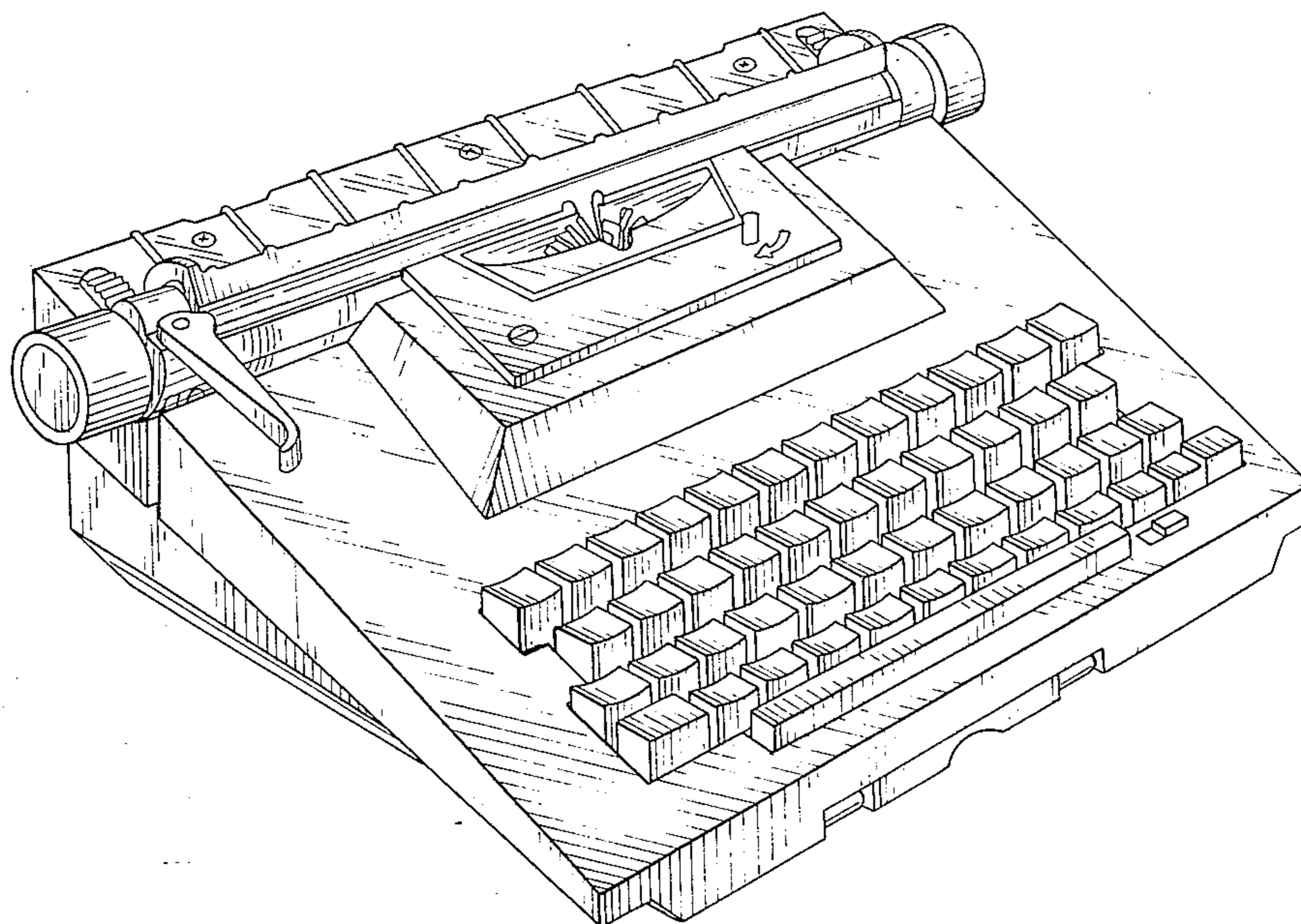
FIG. 3 is a left side elevation thereof with the cover in place;

FIG. 4 is a rear elevation thereof with the cover in place;

FIG. 5 is a rear elevational view with the cover removed;

FIG. 6 is a front perspective view thereof with the cover in place; and

FIG. 7 is a bottom plan view.



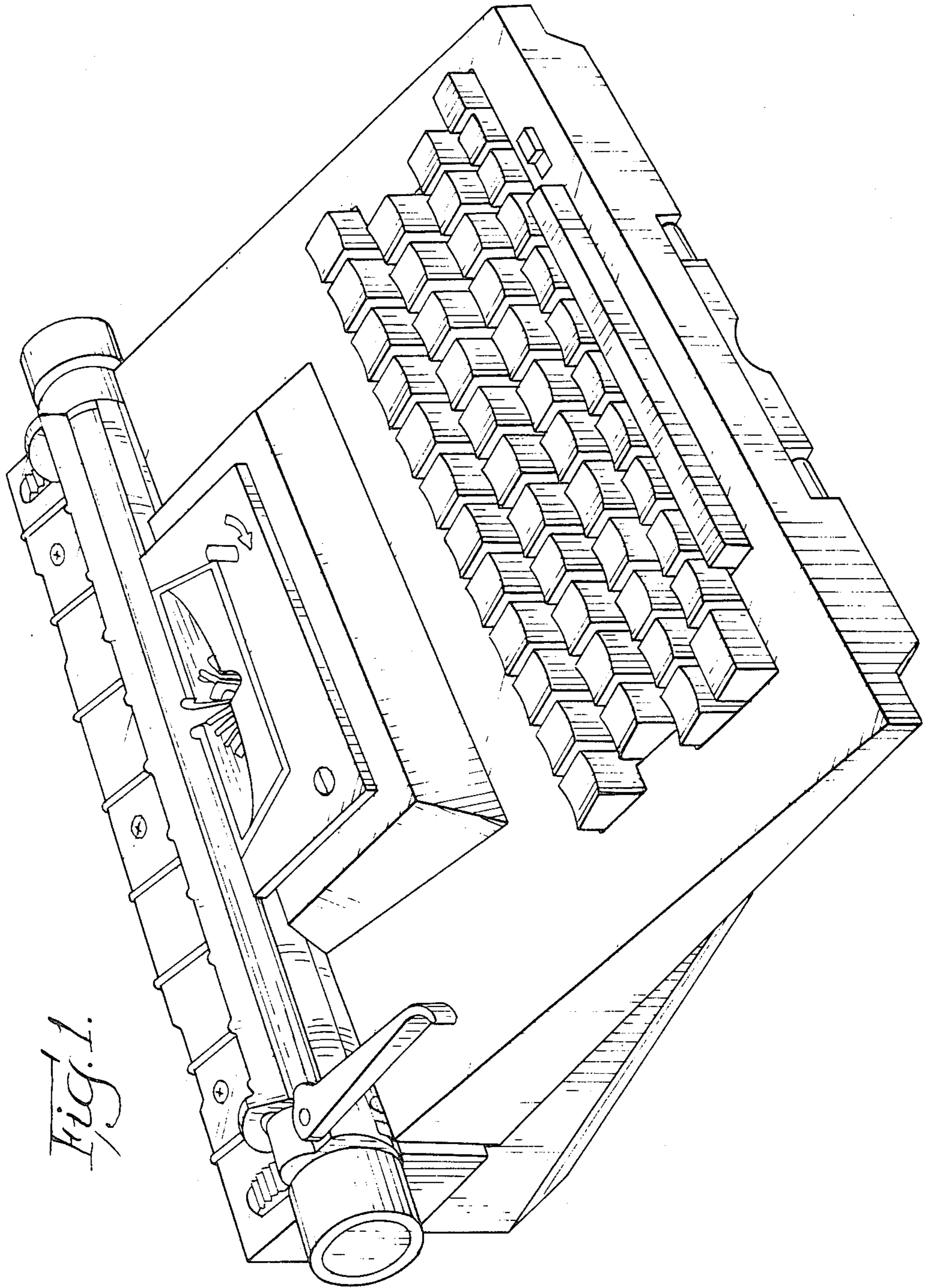


Fig. 1.

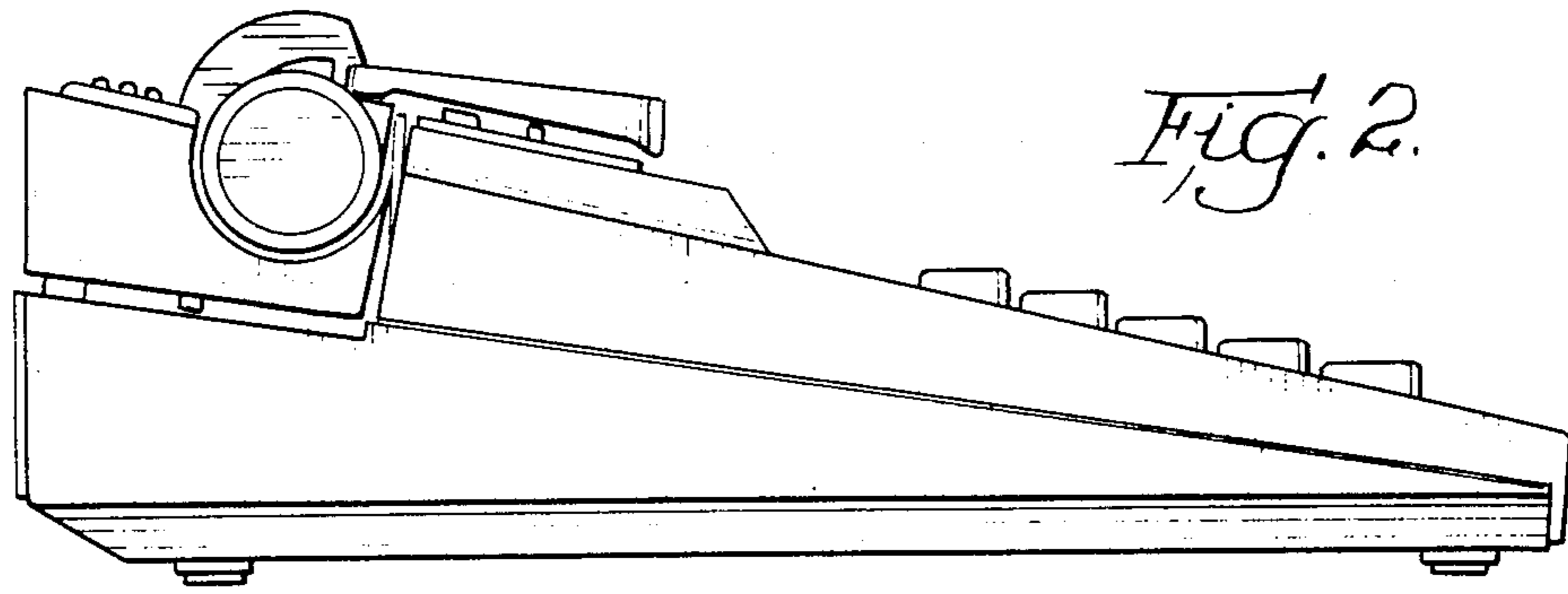


Fig. 2.

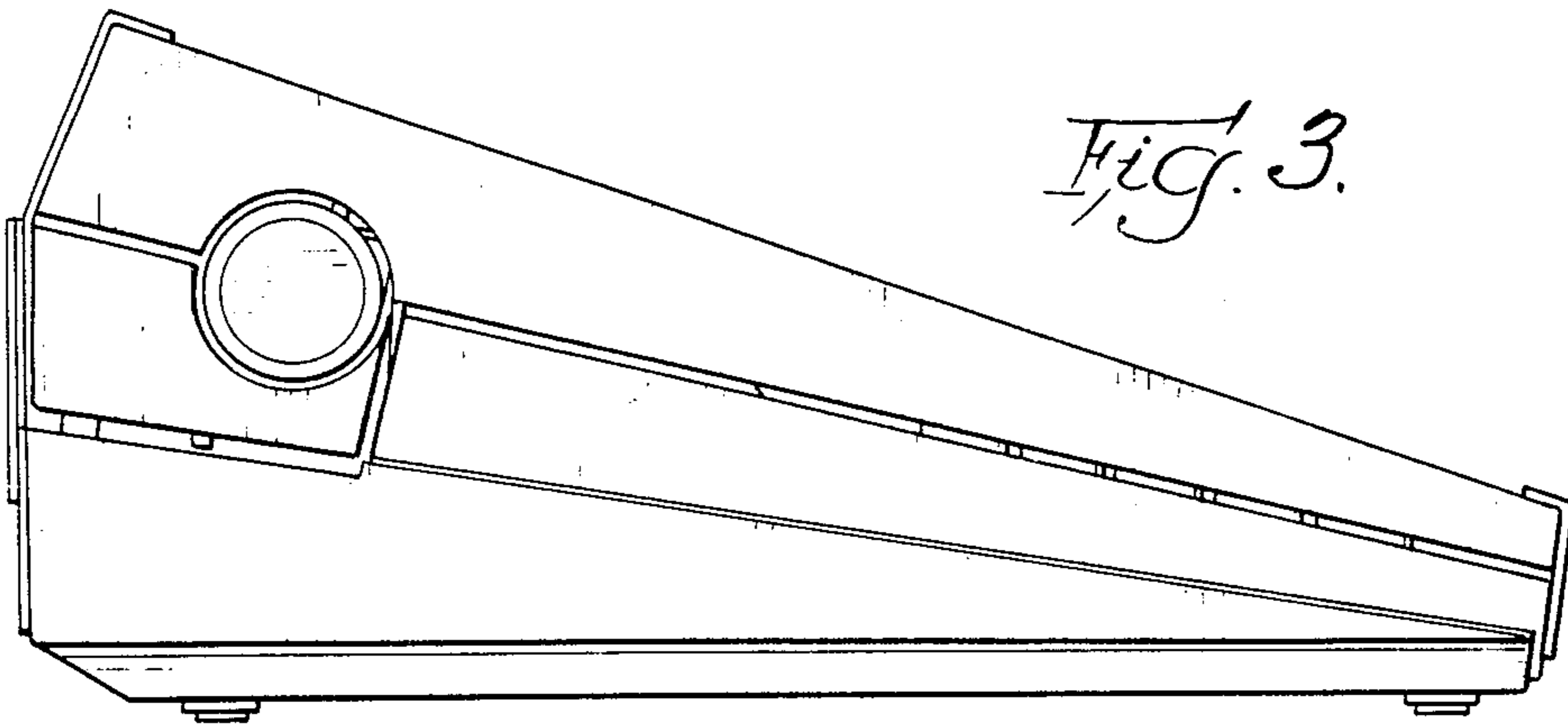


Fig. 3.

Fig. 4.

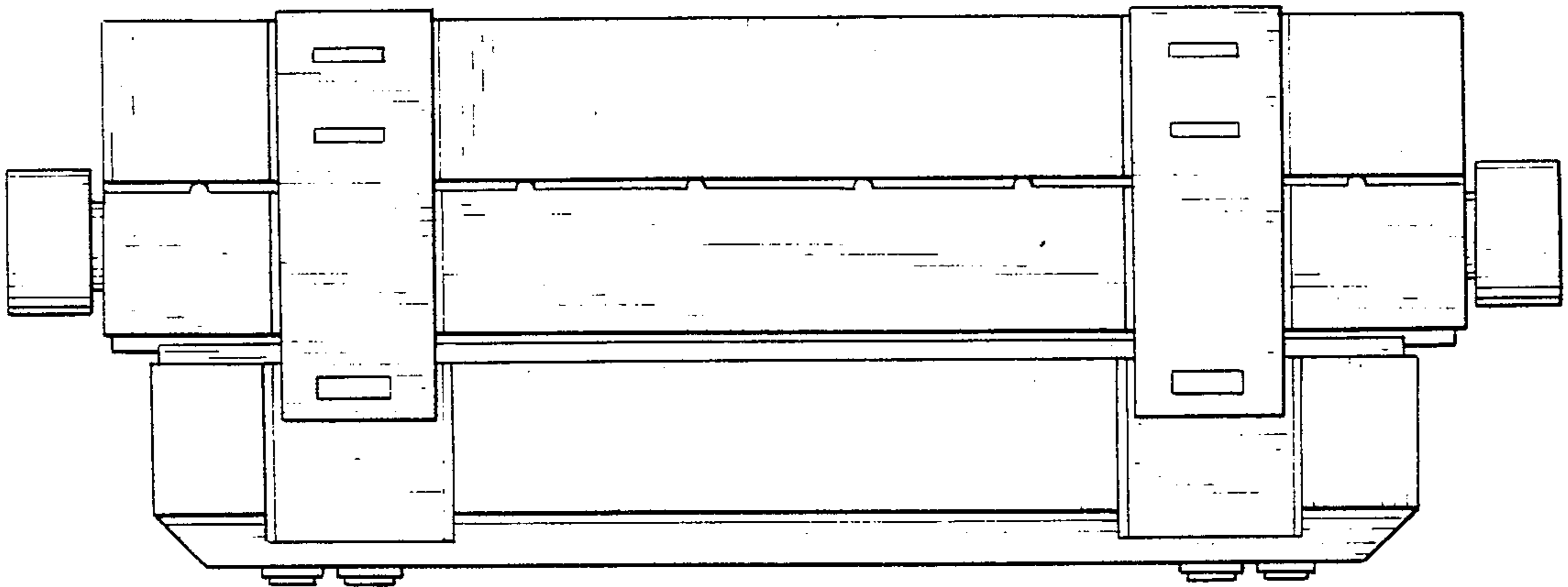


Fig. 5.

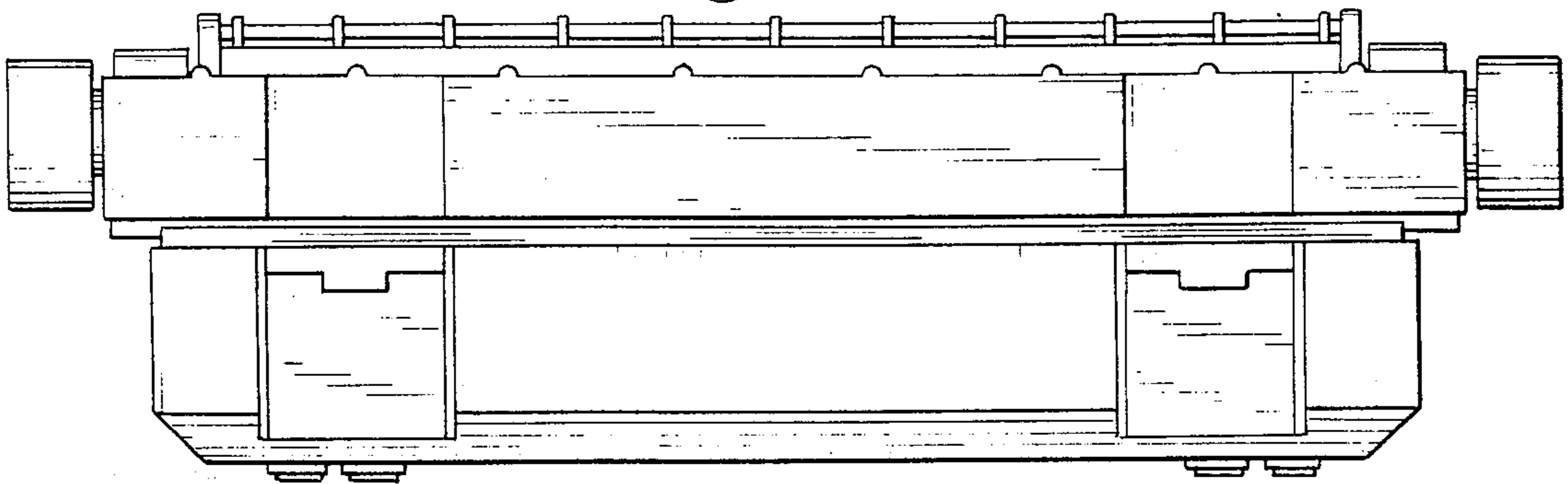


Fig. 6.

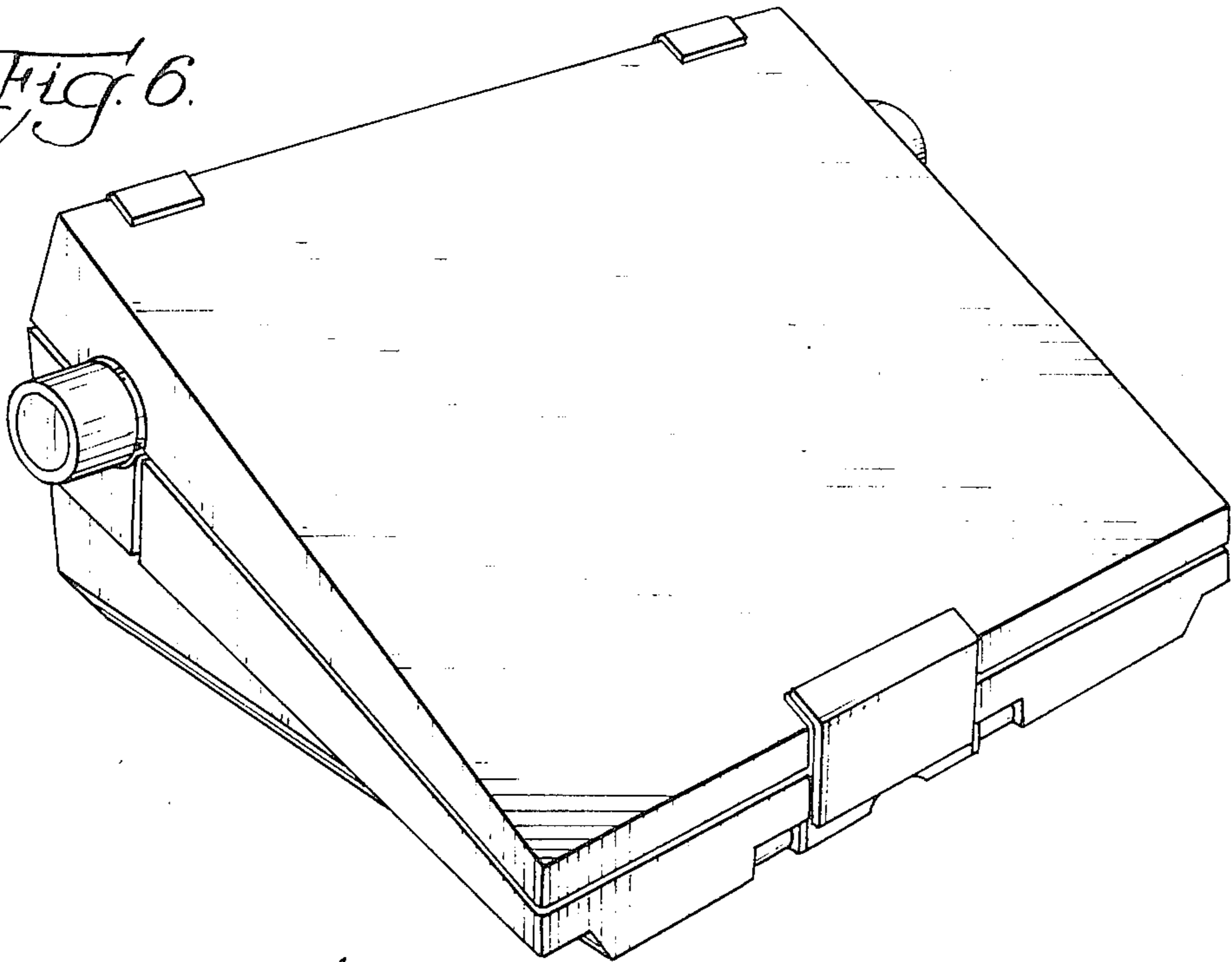


Fig. 7.

