

[54] SEWING MACHINE

[75] Inventor: Koji Uchida, Hachioji, Japan

[73] Assignee: Janome Sewing Machine Co, Ltd., Tokyo, Japan

[**] Term: 14 Years

[21] Appl. No.: 464,733

[22] Filed: Feb. 7, 1983

[30] Foreign Application Priority Data

Sep. 30, 1982 [JP] Japan 57-44150

[52] U.S. Cl. D15/69

[58] Field of Search D15/66, 69, 68, 70; 112/63, 258-261

[56] References Cited

U.S. PATENT DOCUMENTS

D. 220,066	3/1971	Eguchi	D15/69
D. 221,308	7/1971	Grange	D15/69
D. 249,693	9/1978	Kasahara et al.	D15/68
D. 270,913	10/1983	Kosugi	D15/69
4,099,474	7/1978	Hamlett et al.	112/258

4,314,517 2/1982 Kasahara et al. 112/260

FOREIGN PATENT DOCUMENTS

150453 11/1977 Japan 112/260

OTHER PUBLICATIONS

Berninia Catalog, p. 6, Sewing Machine.

Primary Examiner—Bernard Ansher

Assistant Examiner—Linda Titolo

Attorney, Agent, or Firm—Michael J. Striker

[57] CLAIM

The ornamental design for a sewing machine, substantially as shown and described.

DESCRIPTION

FIG. 1 is a front elevational view of a sewing machine showing my new design;

FIG. 2 is a rear elevational view thereof;

FIG. 3 is a top plan view thereof;

FIG. 4 is a bottom plan view thereof;

FIG. 5 is a left side elevational view thereof;

FIG. 6 is a right side elevational view thereof; and

FIG. 7 is a top front perspective view thereof.

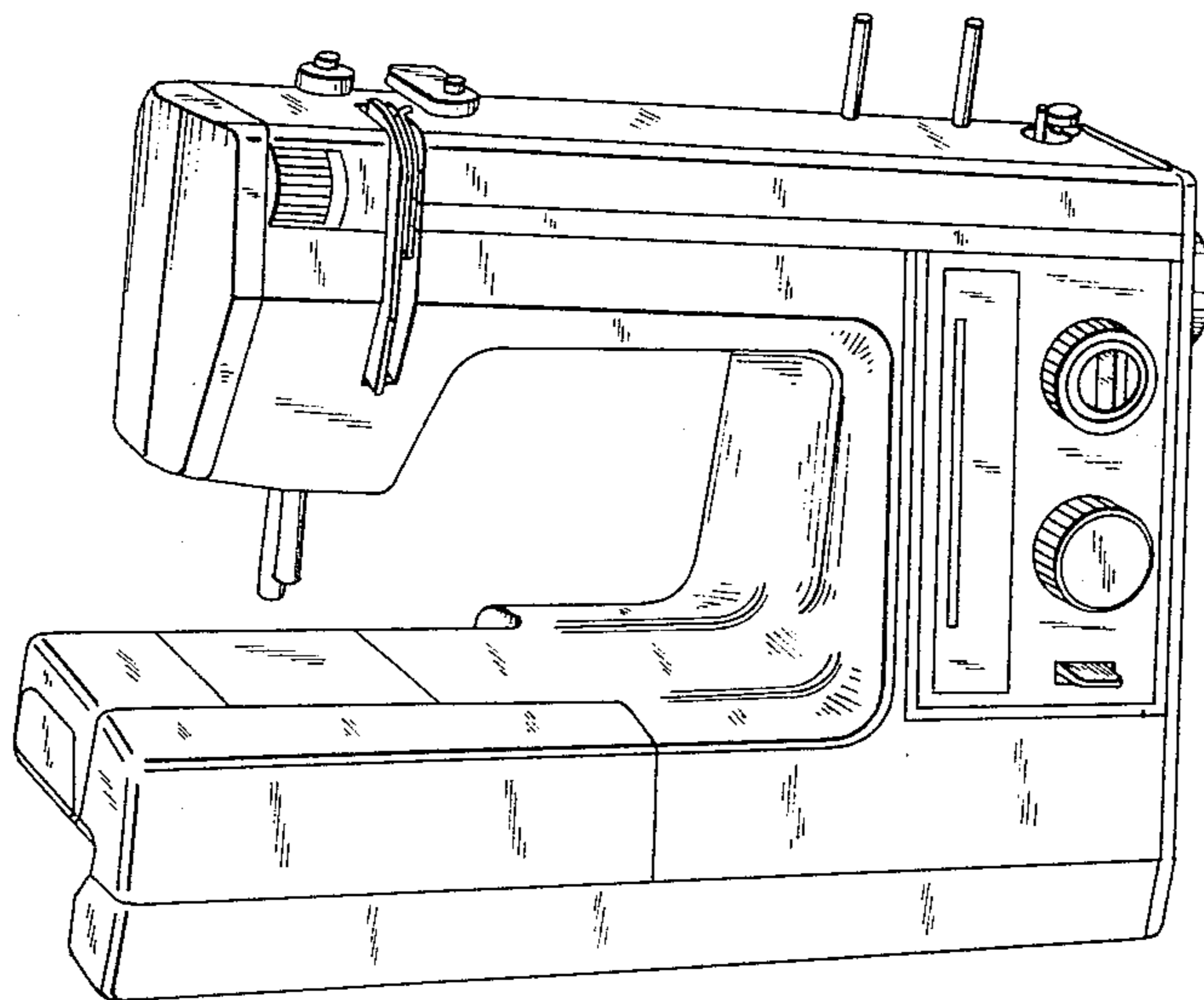


FIG. 1

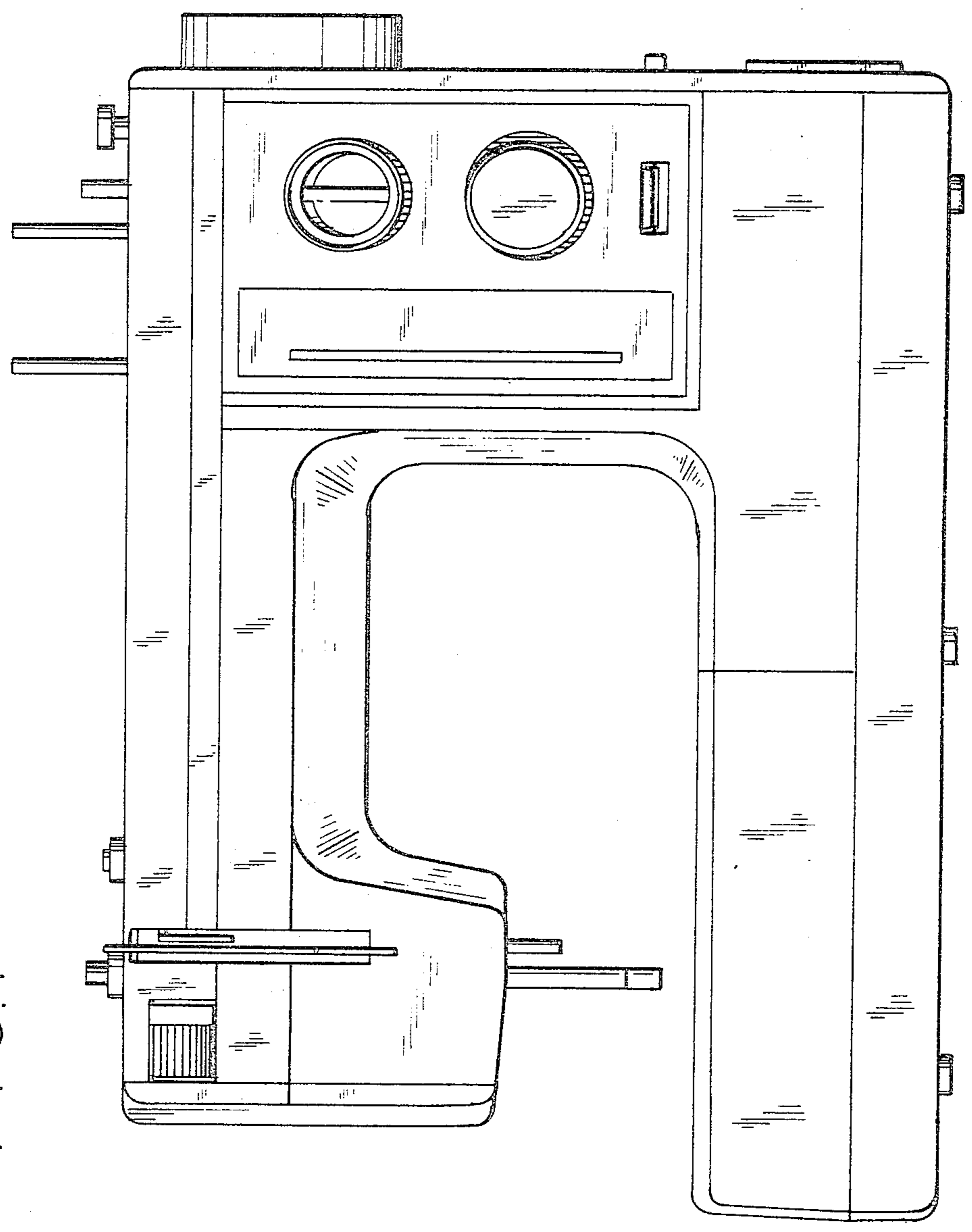


FIG. 2

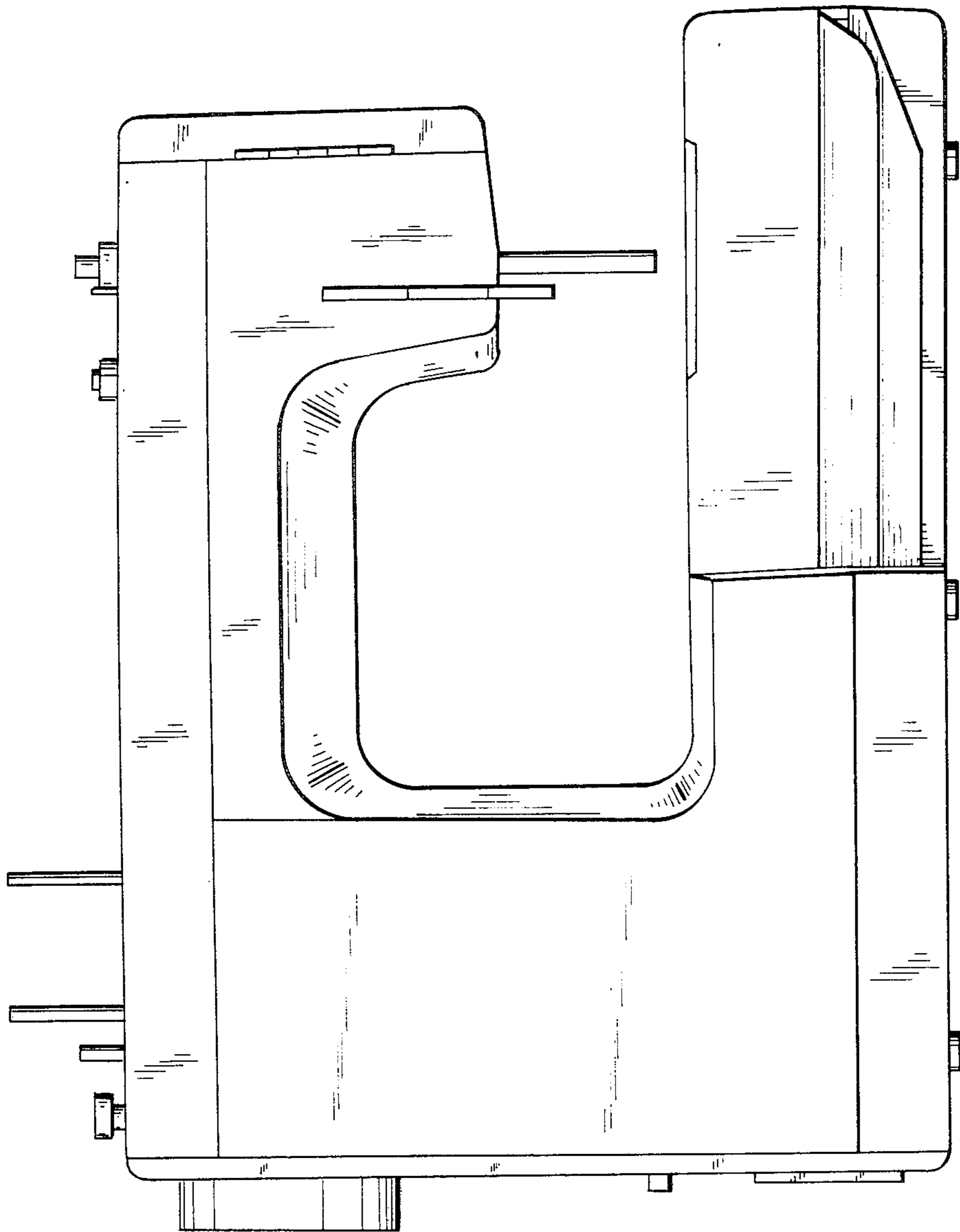


FIG. 3

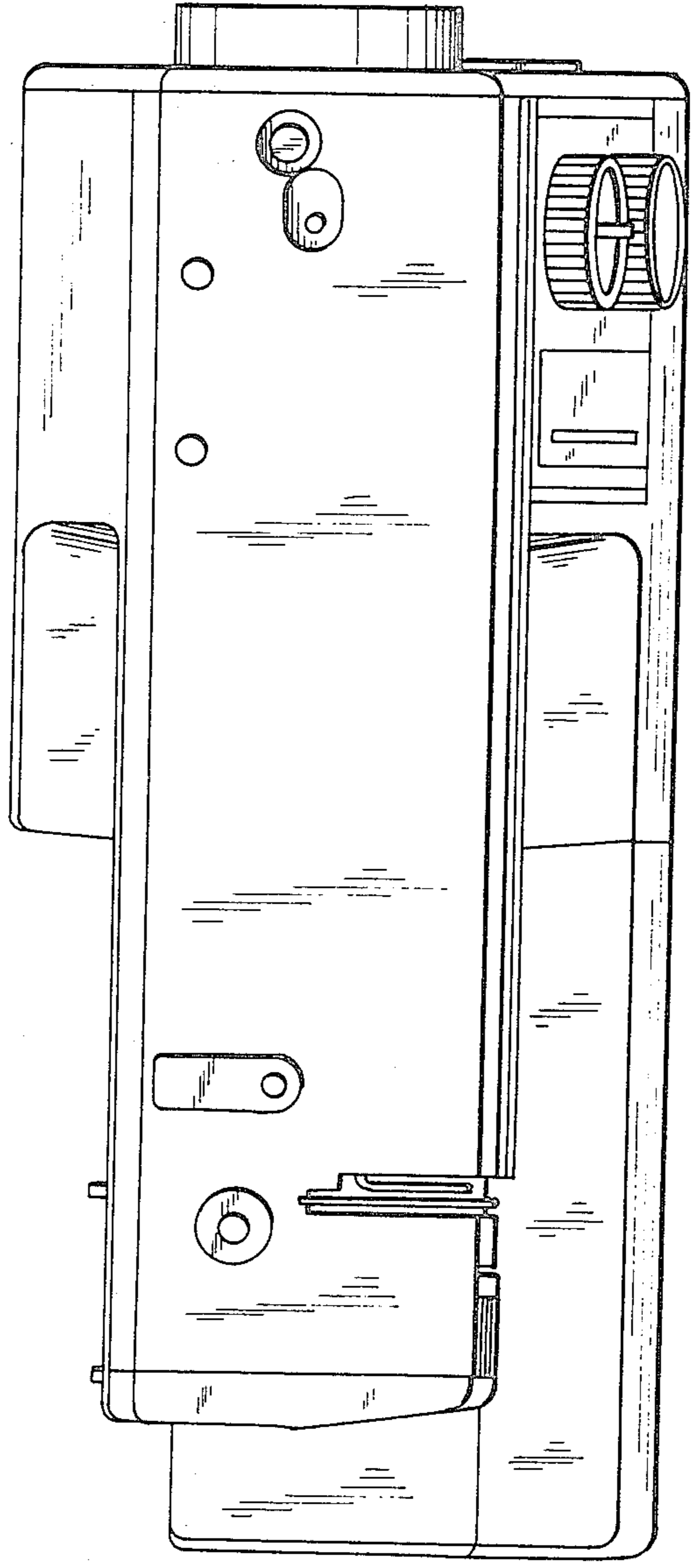
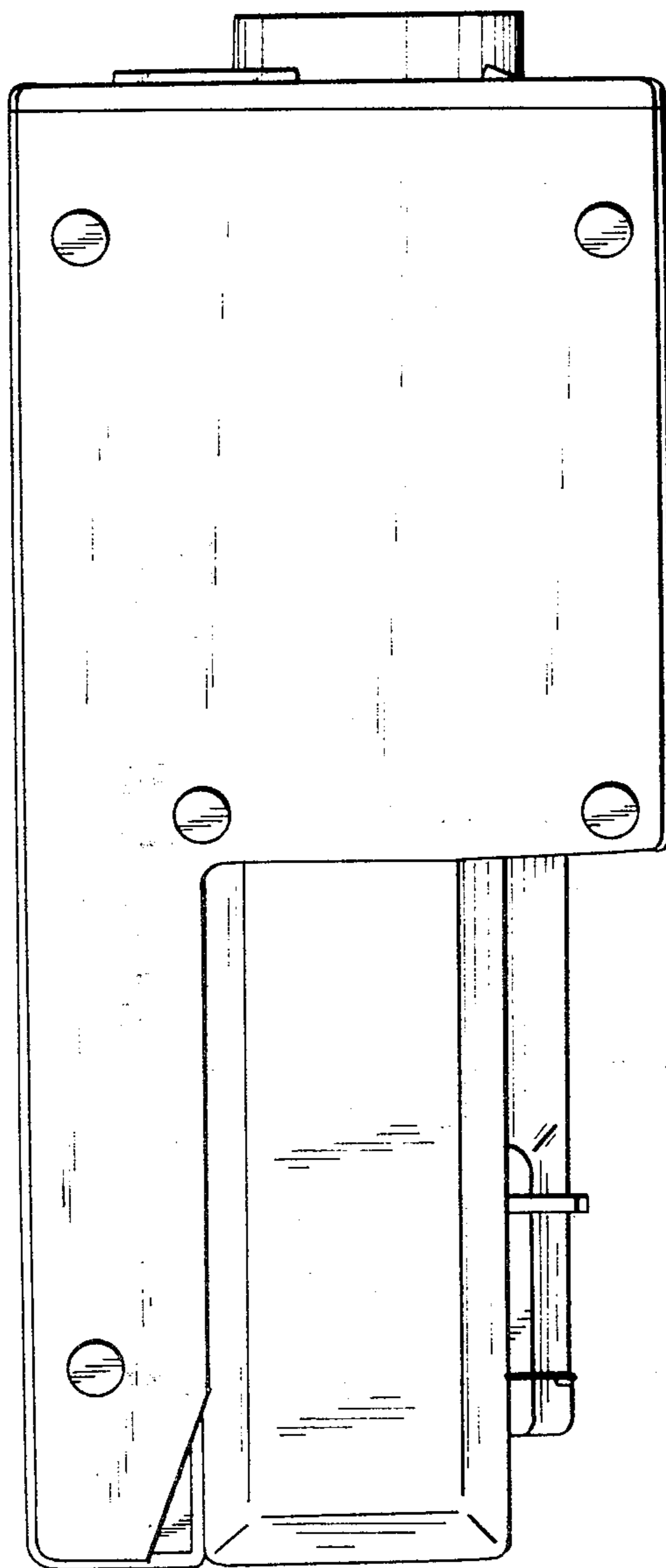


FIG. 4



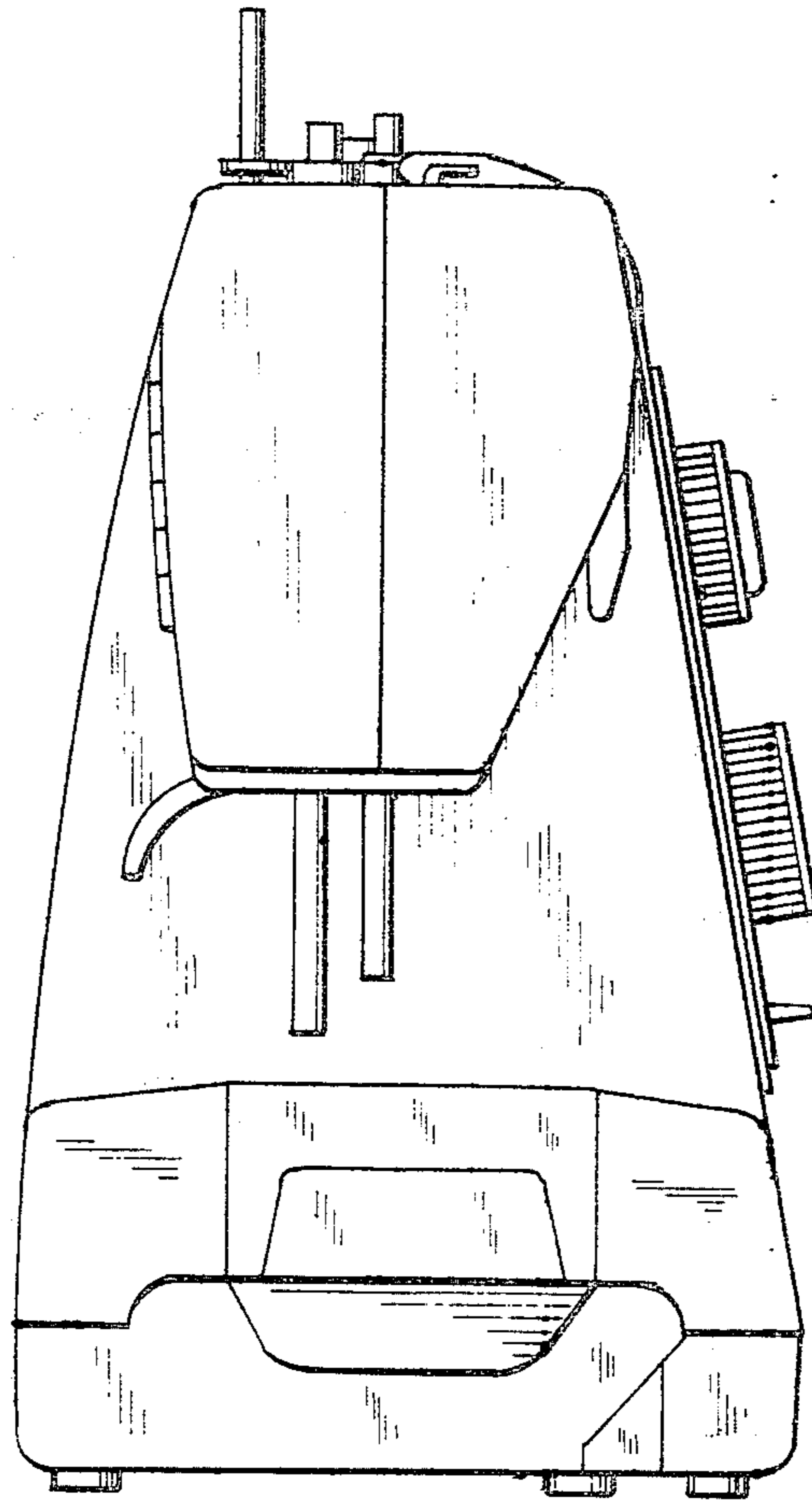


FIG. 5

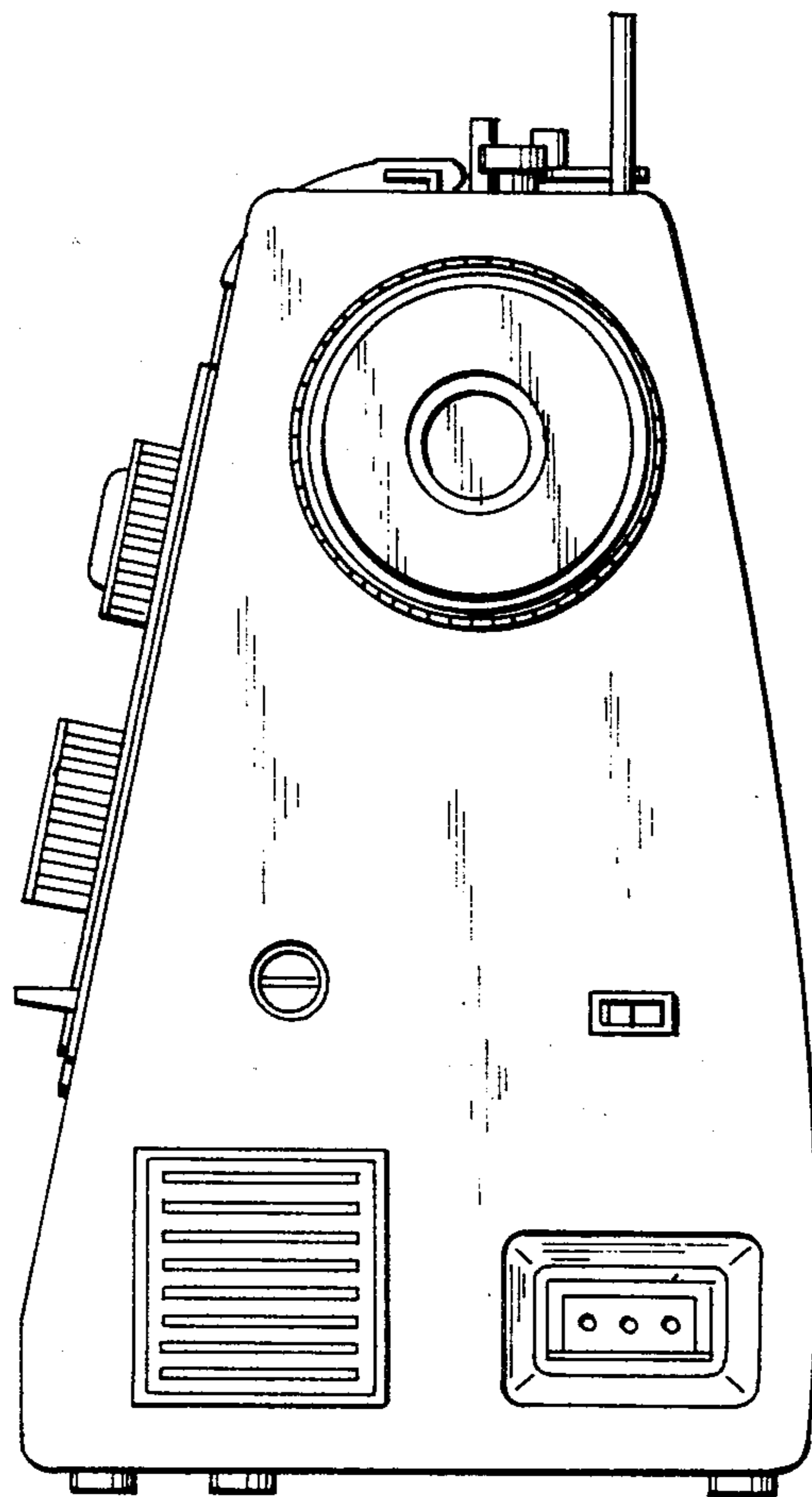


FIG. 6

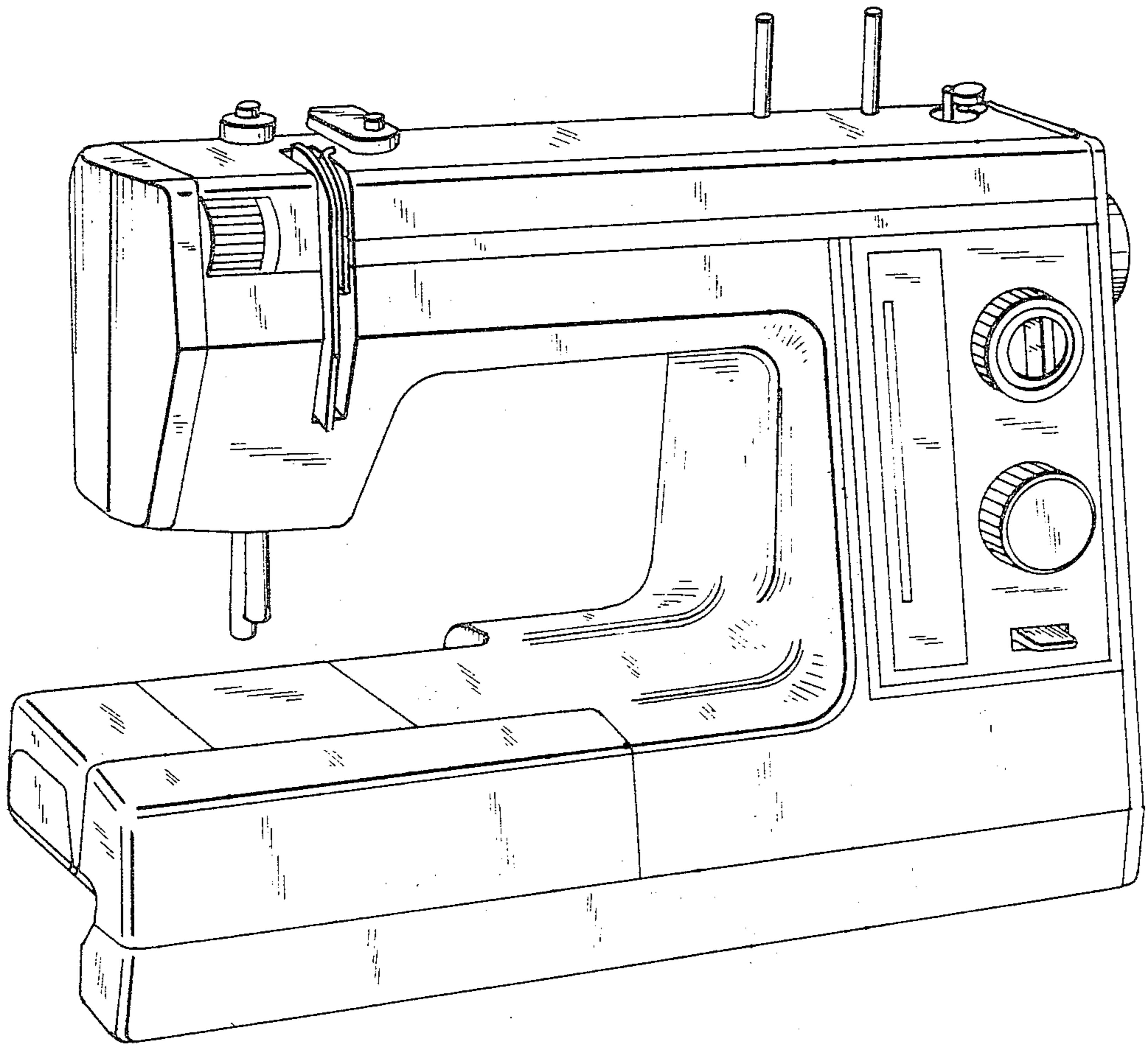


FIG. 7