

[54] OIL FILLER CAP

[76] Inventor: Lewis L. Ruter, 919 W. Broadway, Minneapolis, Minn. 55411

[**] Term: 14 Years

[21] Appl. No.: 419,759

[22] Filed: Sep. 20, 1982

[52] U.S. Cl. D15/5

[58] Field of Search D15/5; 184/88 R, 105 R; 220/40, 302, 303

[56] References Cited

U.S. PATENT DOCUMENTS

D. 194,907	4/1963	Hill et al.	D14/6
D. 232,976	9/1974	Ruter	D77/1 A
1,641,269	9/1927	Hoke	184/88 R
2,034,958	3/1936	Plaster	184/105 R
2,114,459	4/1938	Wiswell	184/105 R
2,130,085	9/1938	Harks	184/105
2,130,634	9/1938	Wiswell	184/105
2,134,004	10/1938	Pittman	184/105
2,467,088	4/1949	Konchan	220/40
2,644,430	7/1953	Lang	121/194
3,115,908	12/1963	Carlson et al.	141/330
3,331,405	7/1967	Gaudet	141/330
3,456,346	7/1969	Snyder	D7/43
3,659,573	5/1972	Bennett	123/119 B

3,774,722	11/1973	Elder	184/105
3,915,335	10/1975	Shanklin et al.	220/303
3,990,489	11/1976	Ruter	141/98

FOREIGN PATENT DOCUMENTS

79132 4/1929 Fed. Rep. of Germany ... 184/105 R

Primary Examiner—Wallace R. Burke

Assistant Examiner—Lynn Wilder

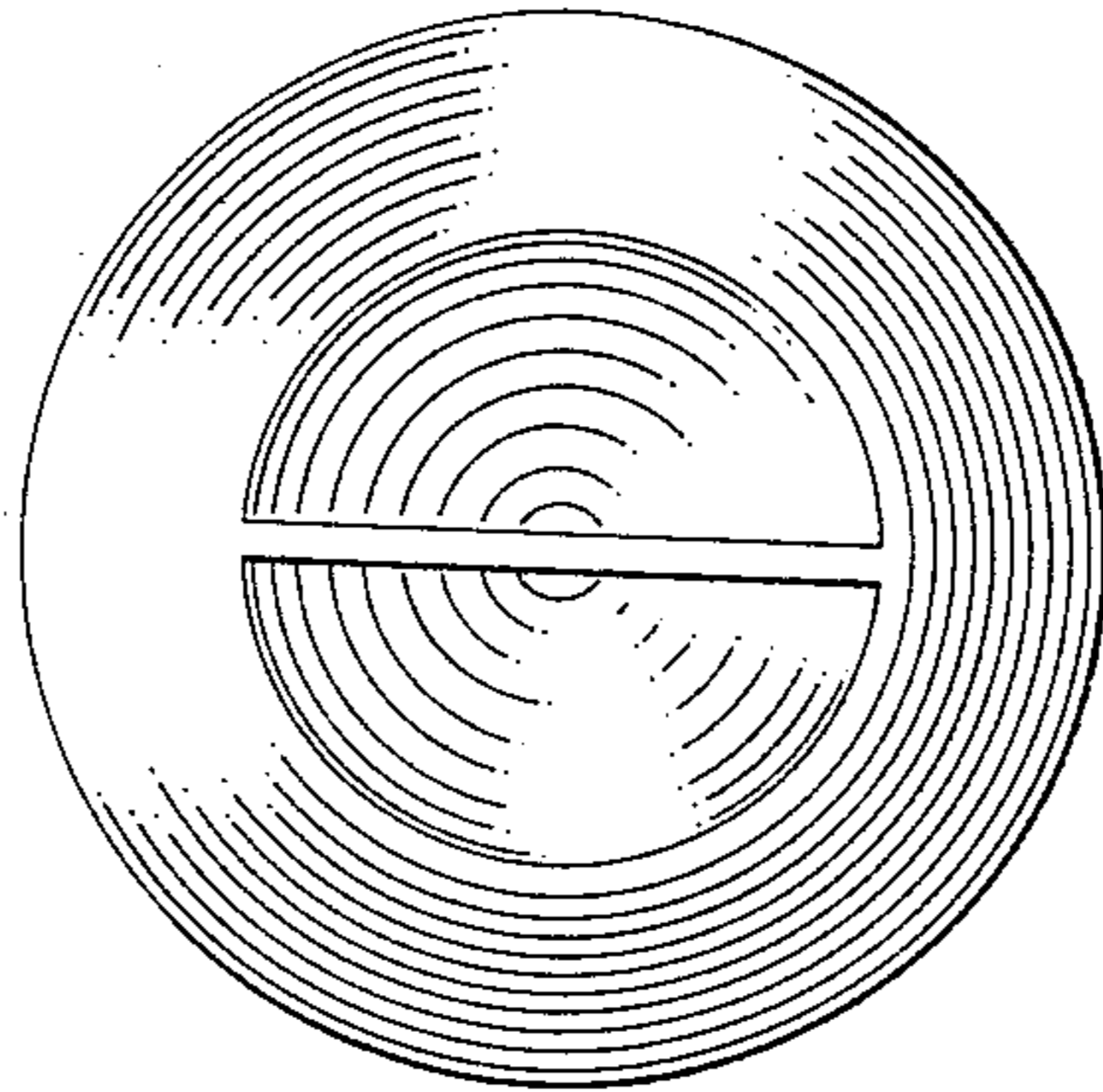
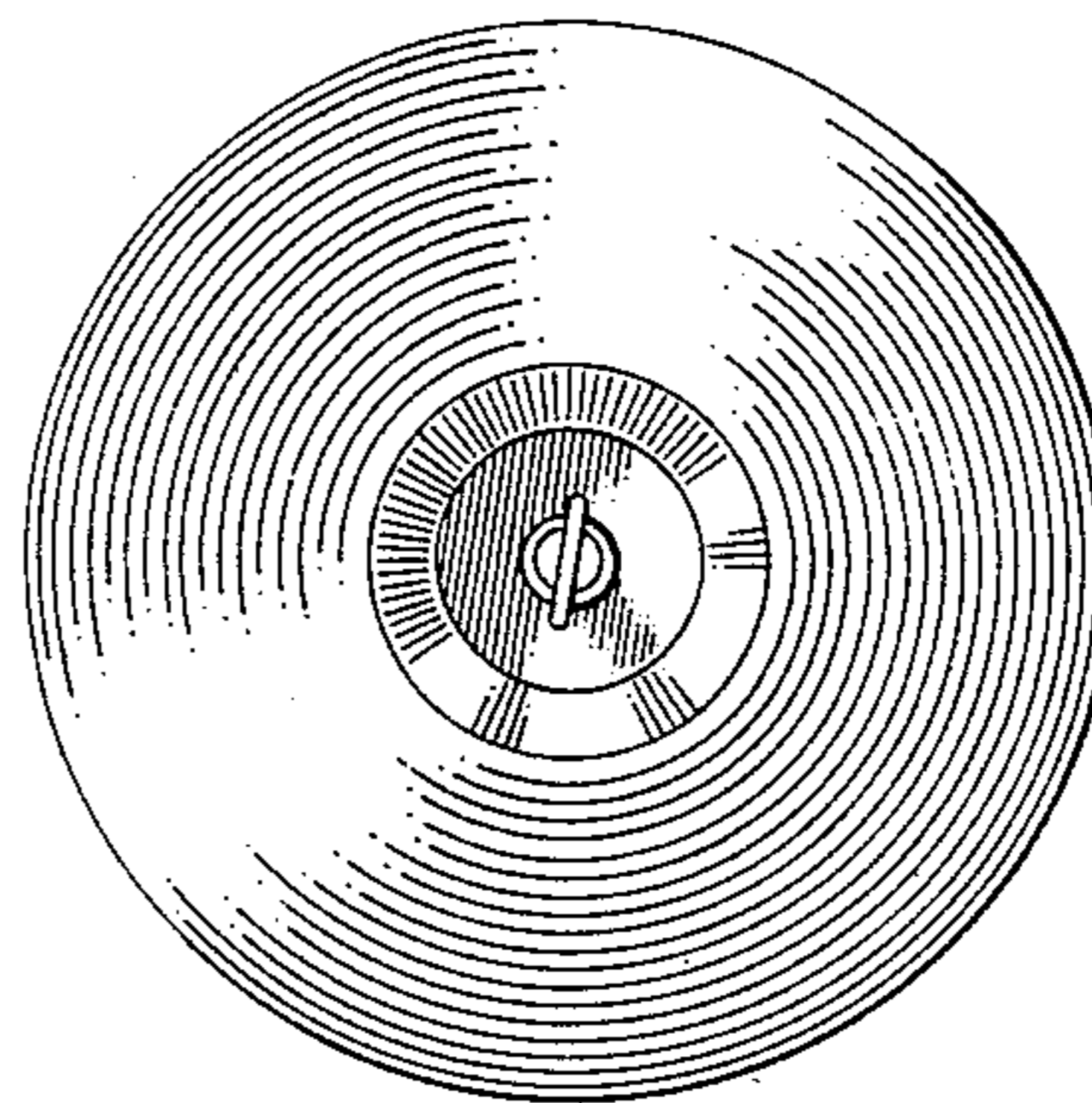
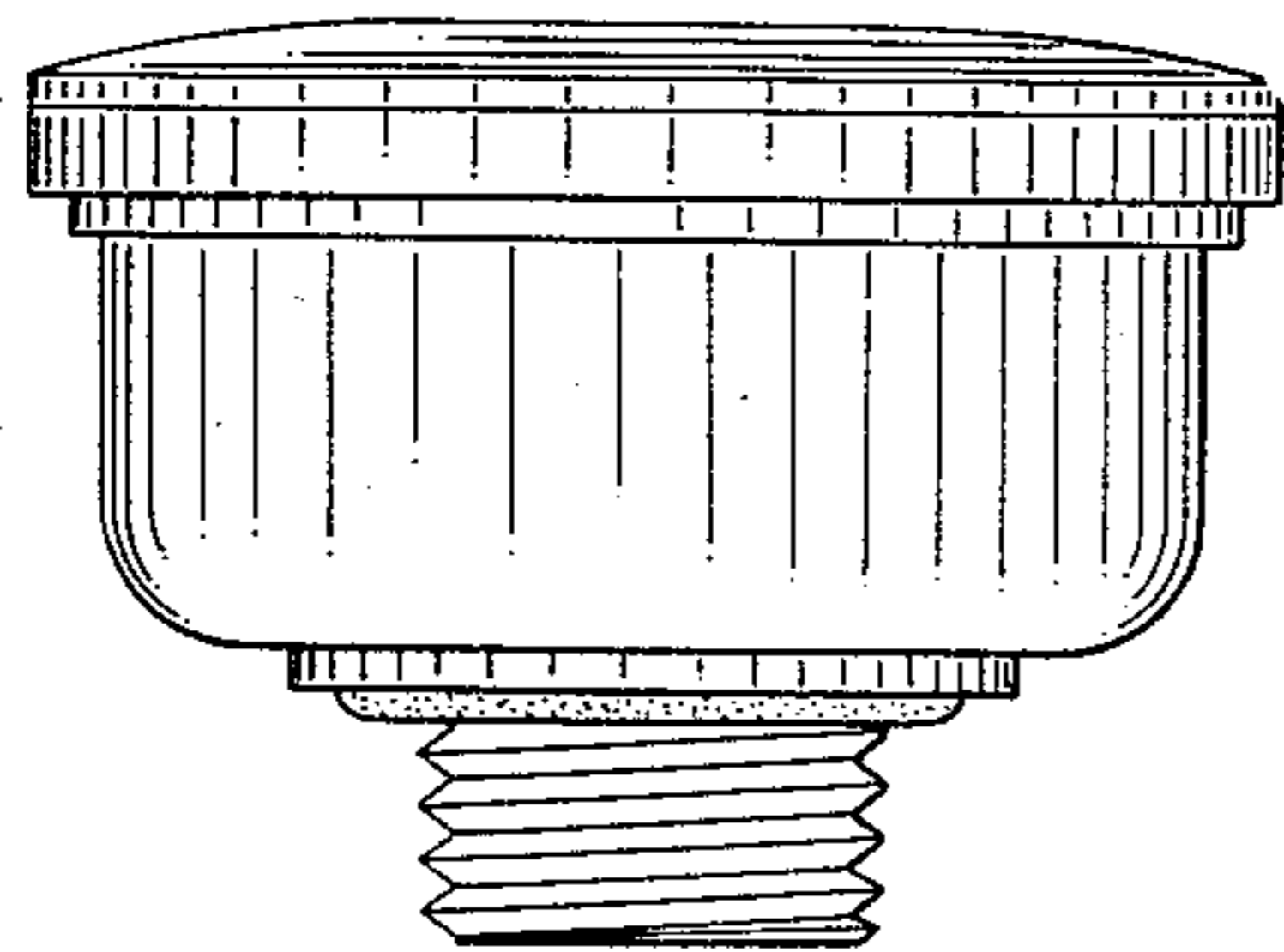
Attorney, Agent, or Firm—Burd, Bartz & Gutenkauf

[57] CLAIM

The ornamental design for an oil filler cap, as shown and described.

DESCRIPTION

FIG. 1 is a side elevational view of an oil filler cap showing my new design;
 FIG. 2 is a top plan view;
 FIG. 3 is a bottom plan view;
 FIG. 4 is a sectional view taken along the line 4—4 of FIG. 2;
 FIG. 5 is a side elevational view of an oil filler cap showing a second embodiment of my new design;
 FIG. 6 is a top plan view of FIG. 5;
 FIG. 7 is a bottom plan view of FIG. 5; and
 FIG. 8 is a sectional view taken along the line 8—8 of FIG. 6.



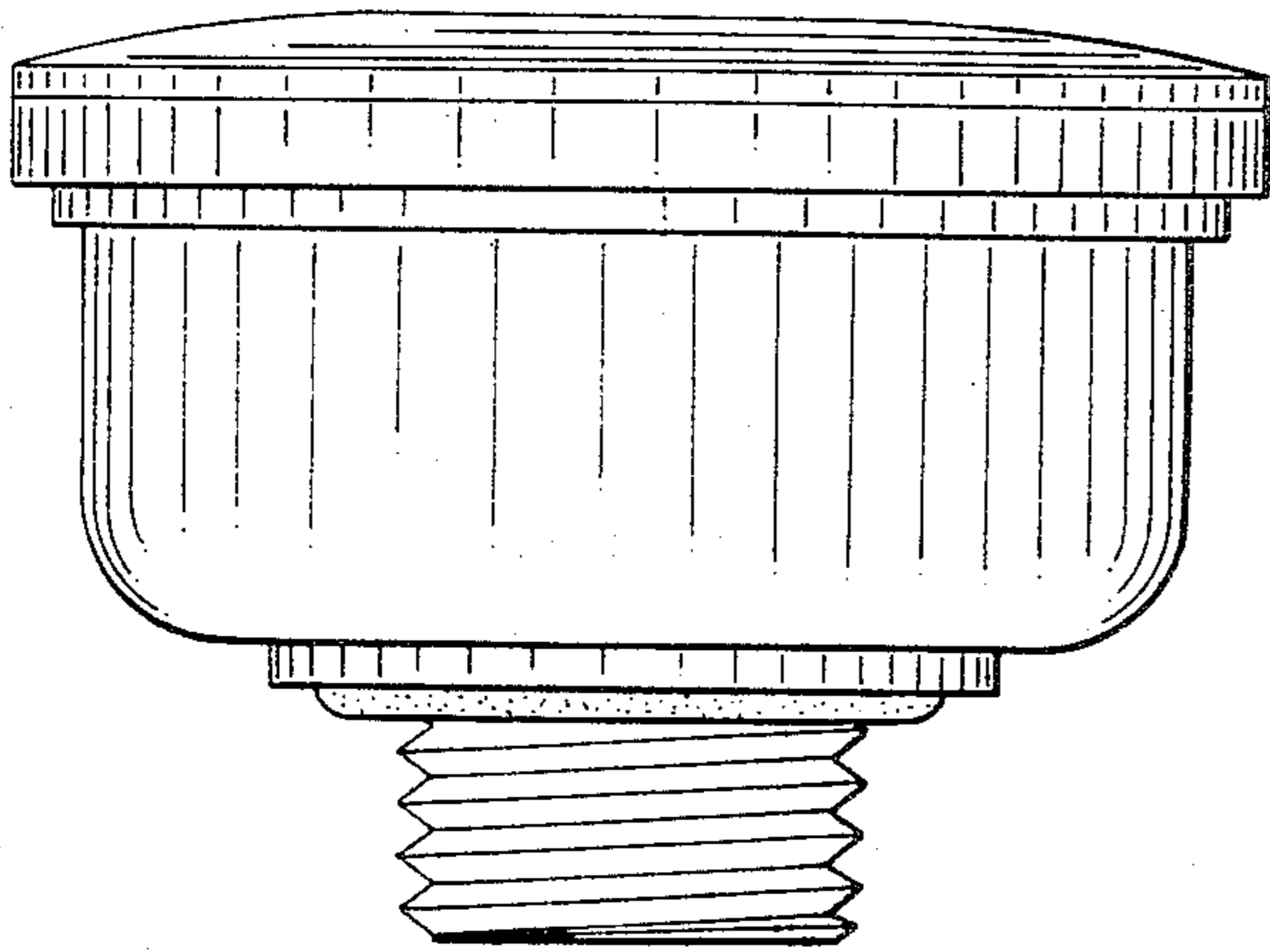


FIG. 1

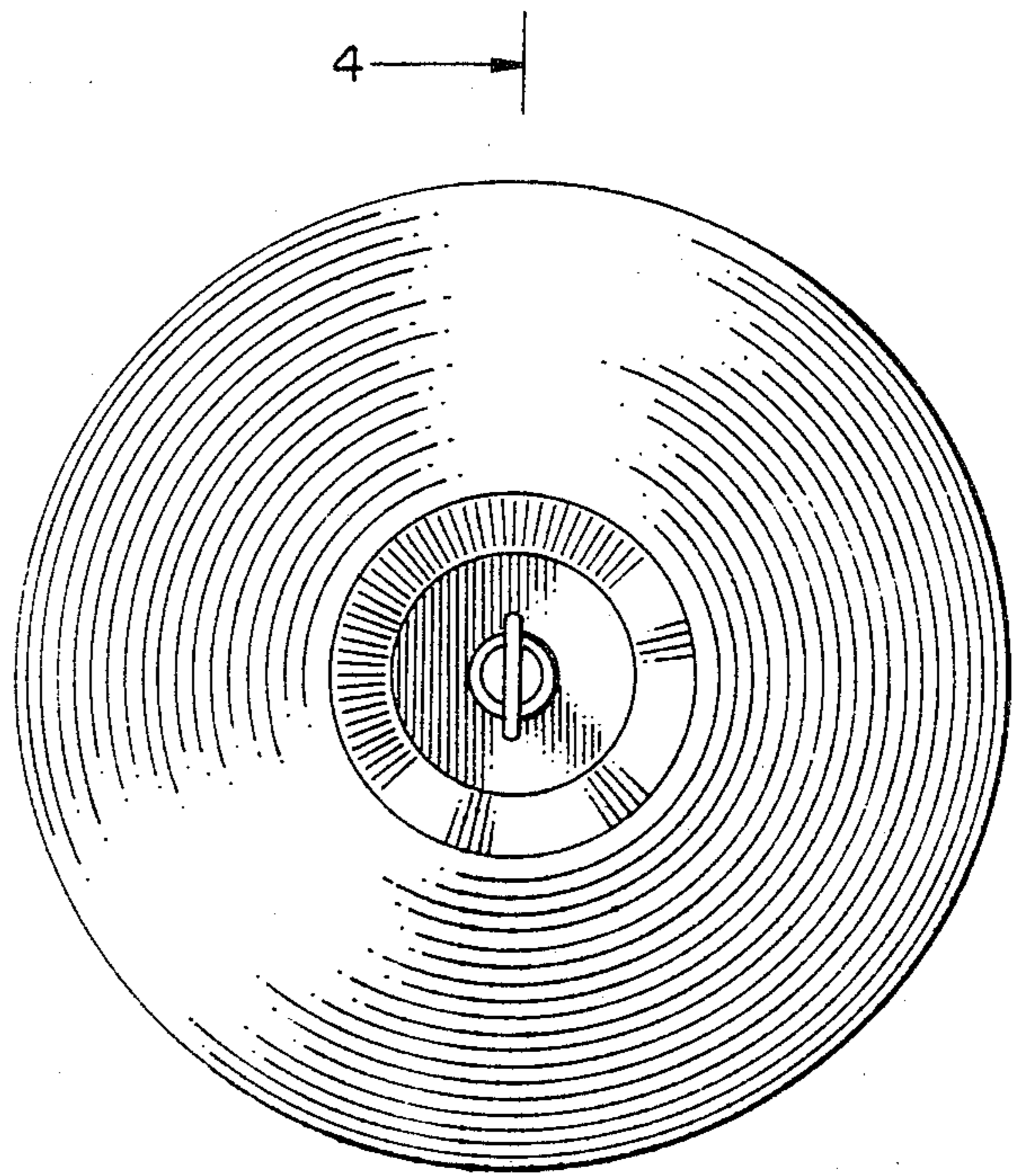


FIG. 2

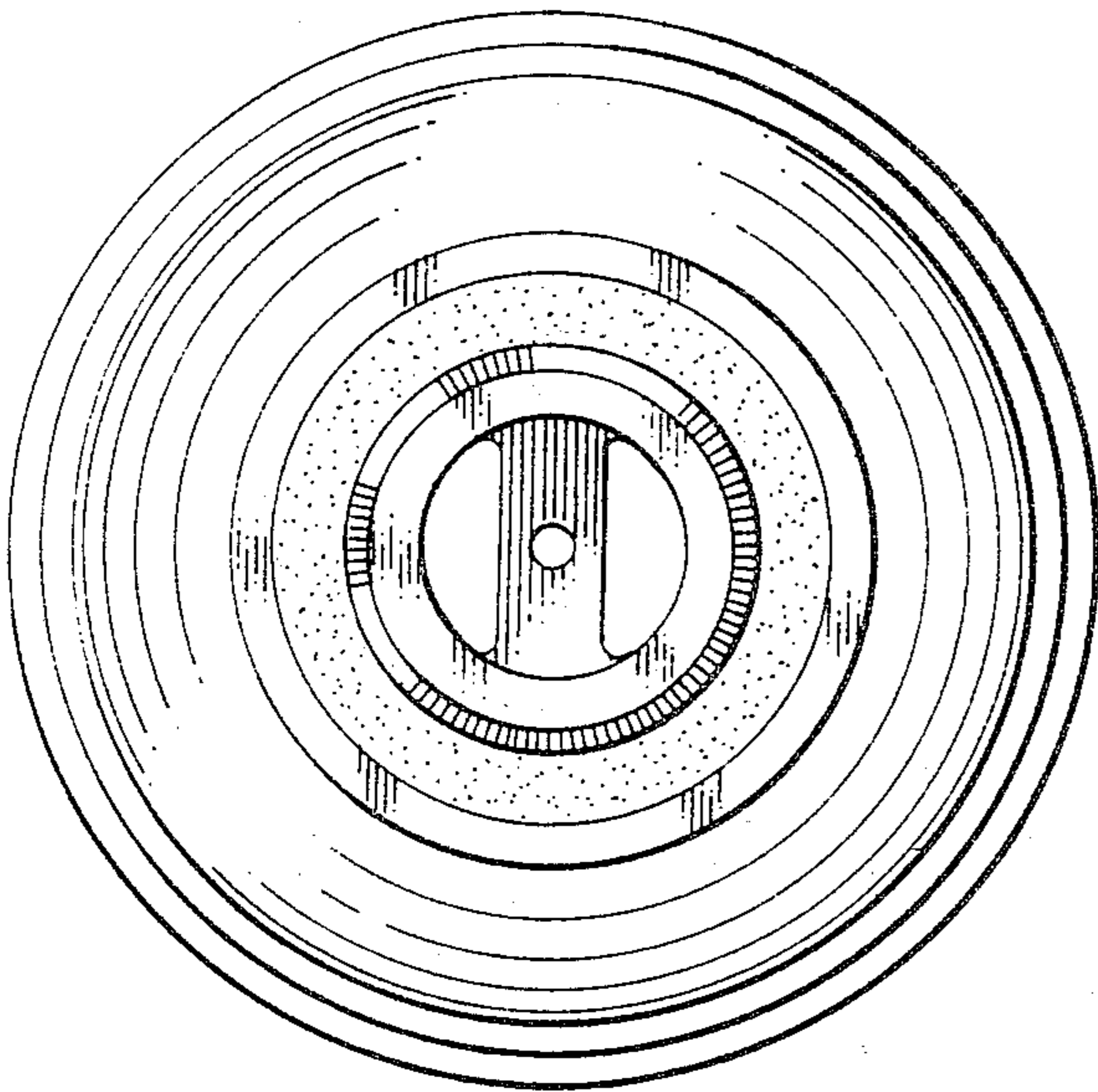


FIG. 3

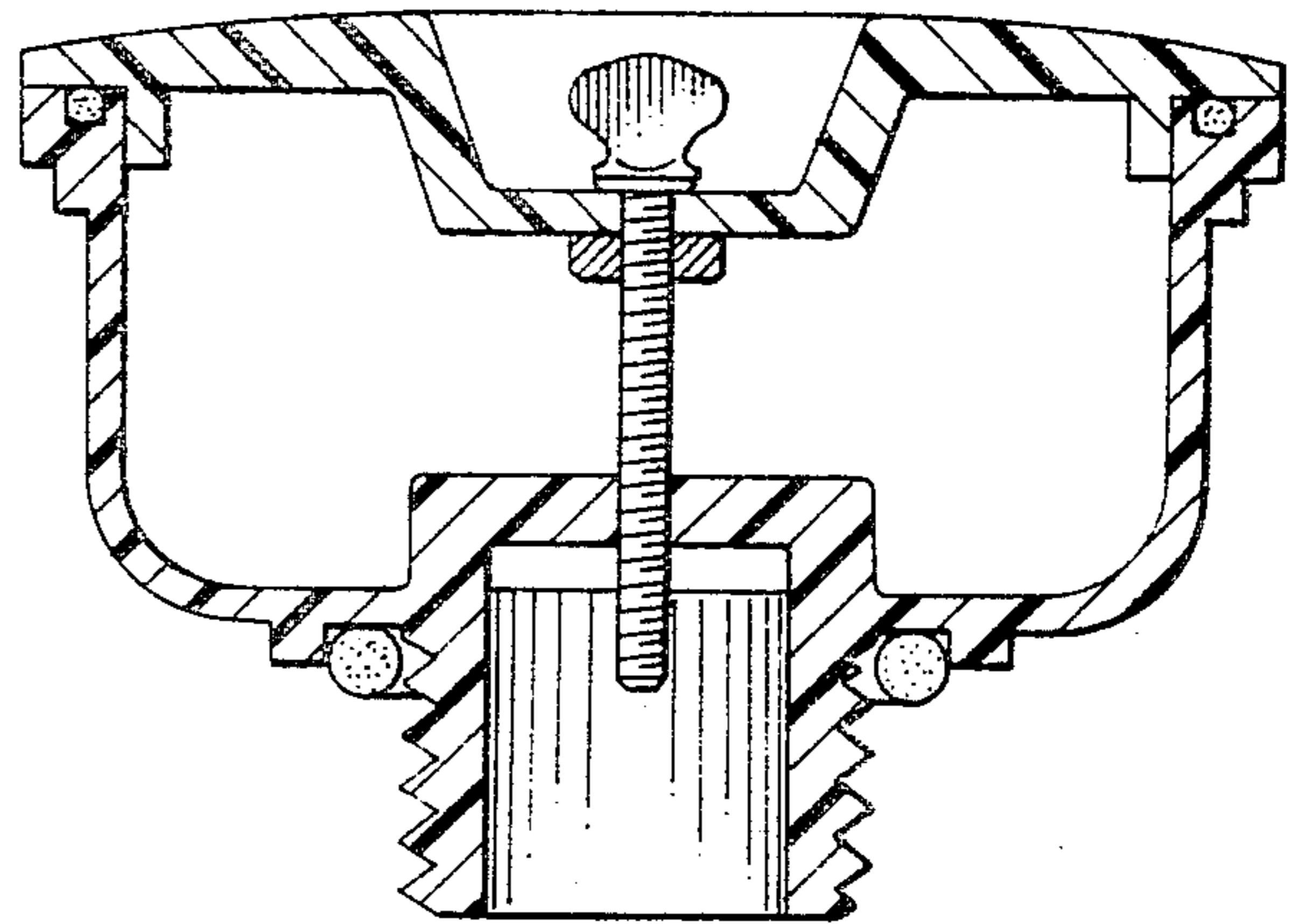


FIG. 4

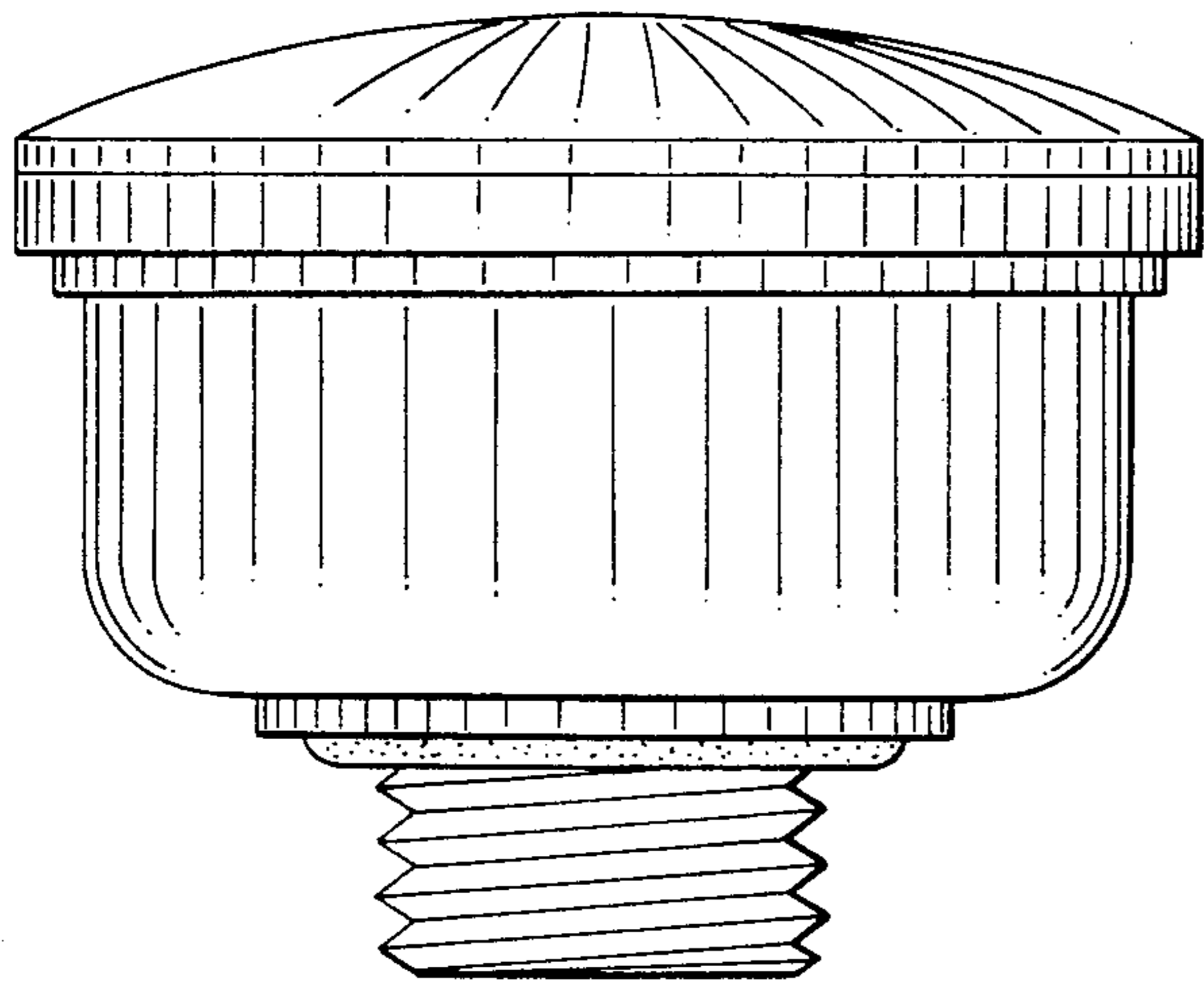


FIG. 5

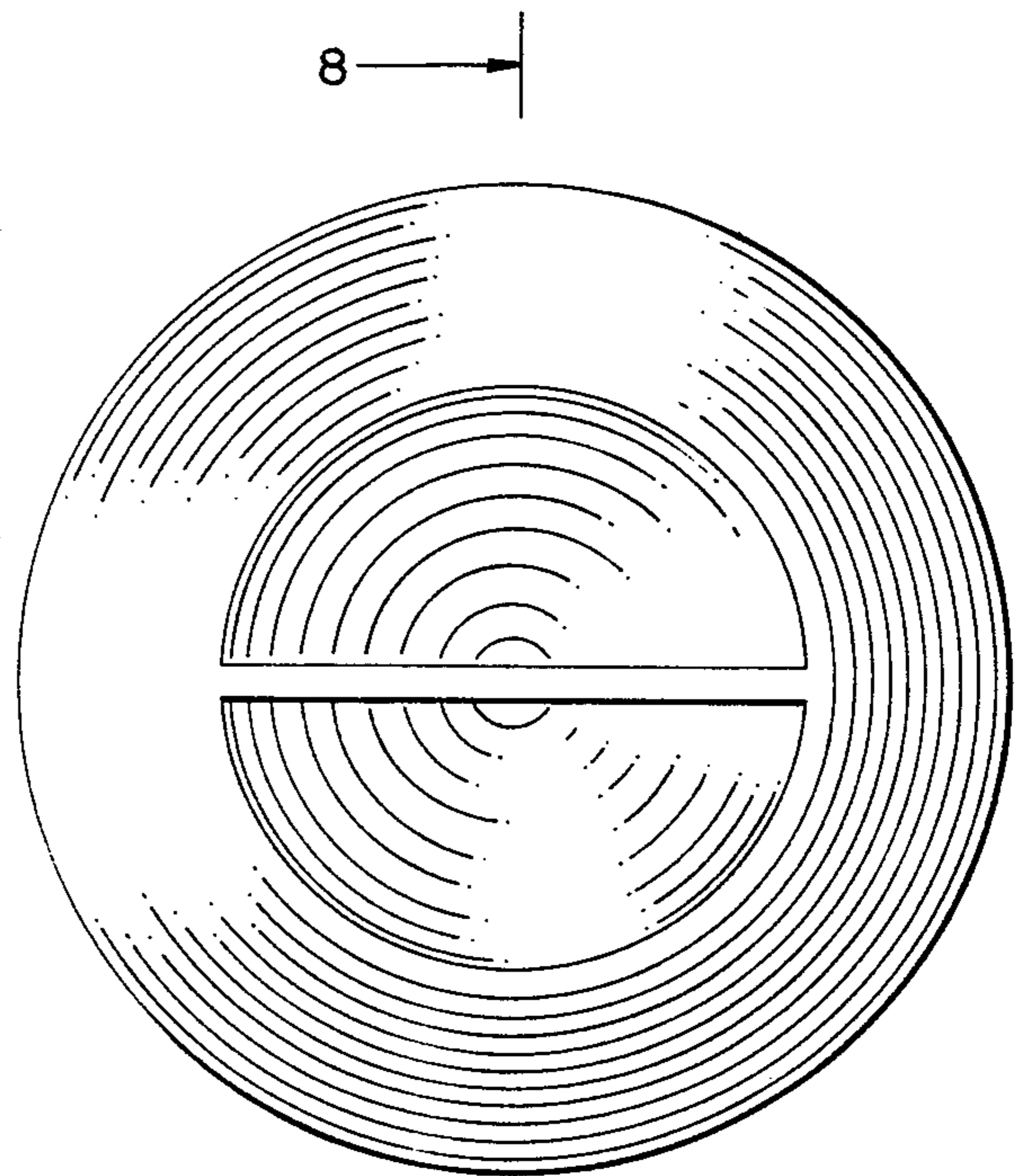


FIG. 6

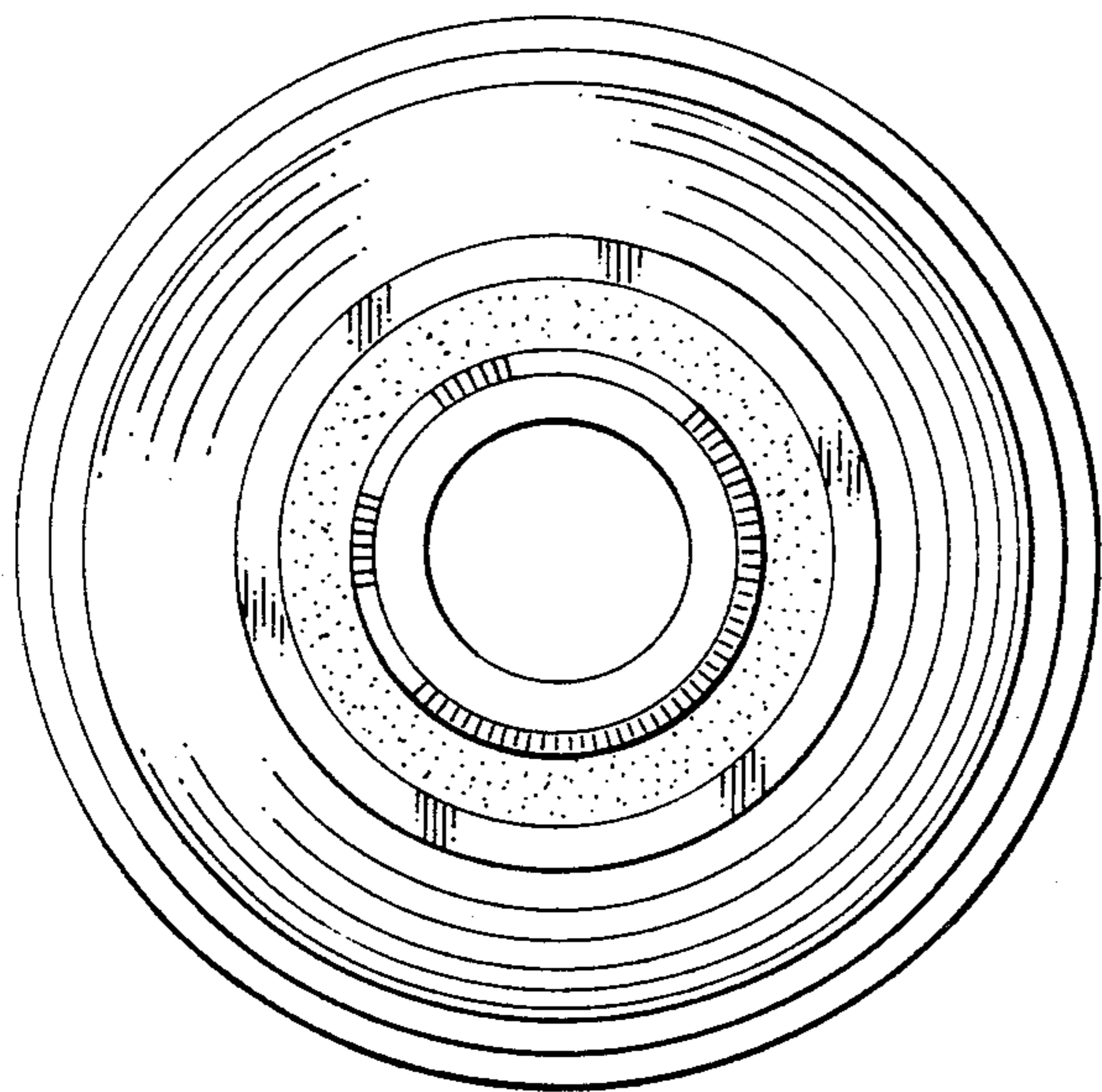


FIG. 7

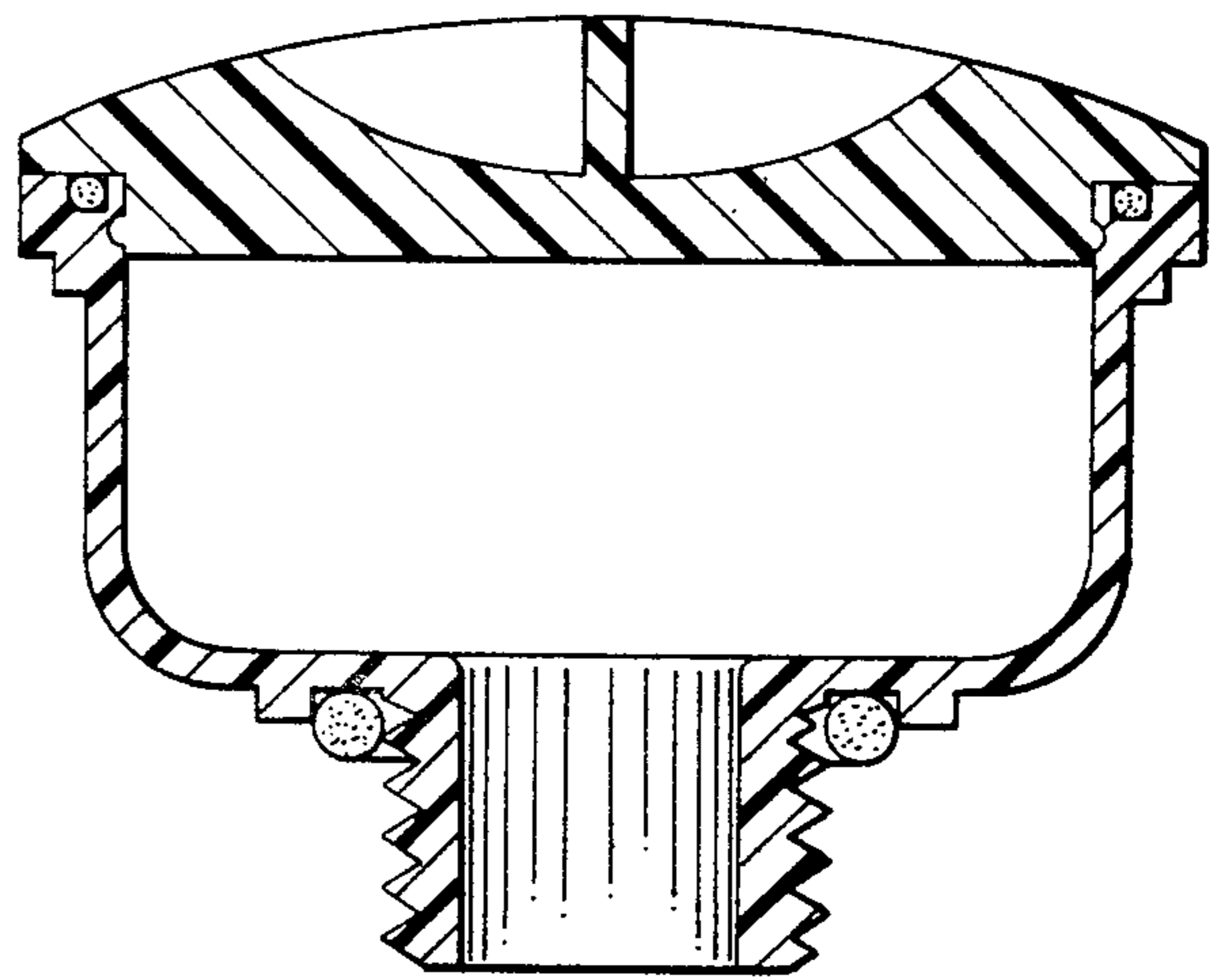


FIG. 8