

# United States Patent [19]

Hashimoto

[11] Patent Number: **Des. 280,724**

[45] Date of Patent: **\*\* Sep. 24, 1985**

[54] **PRINTER**

[75] Inventor: **Masanori Hashimoto, Tokyo, Japan**

[73] Assignee: **Ricoh Company, Ltd., Japan**

[\*\*] Term: **14 Years**

[21] Appl. No.: **442,248**

[22] Filed: **Nov. 17, 1982**

[52] U.S. Cl. .... **D14/111**

[58] Field of Search ..... **D14/100-116;**  
**D18/13, 23; 400/691, 693**

[56] **References Cited**  
**PUBLICATIONS**

Computer Design, 2-1981, p. 25, Pertec p. 80 Printer.

Radio Shack, TRS-80® Microcomputer Catalog RSC-3 ©1979, p. 17, TRS-80® Line Printer III.

*Primary Examiner*—Susan J. Lucas  
*Attorney, Agent, or Firm*—Guy W. Shoup

[57] **CLAIM**

The ornamental design for a printer, as shown and described.

**DESCRIPTION**

FIG. 1 is a front, top and right side perspective view of a printer, showing my new design;  
FIG. 2 is a top plan view thereof;  
FIG. 3 is a front elevational view thereof;  
FIG. 4 is a right side elevational view thereof;  
FIG. 5 is a left side elevational view thereof;  
FIG. 6 is a rear elevational view thereof;  
FIG. 7 is a bottom plan view thereof.

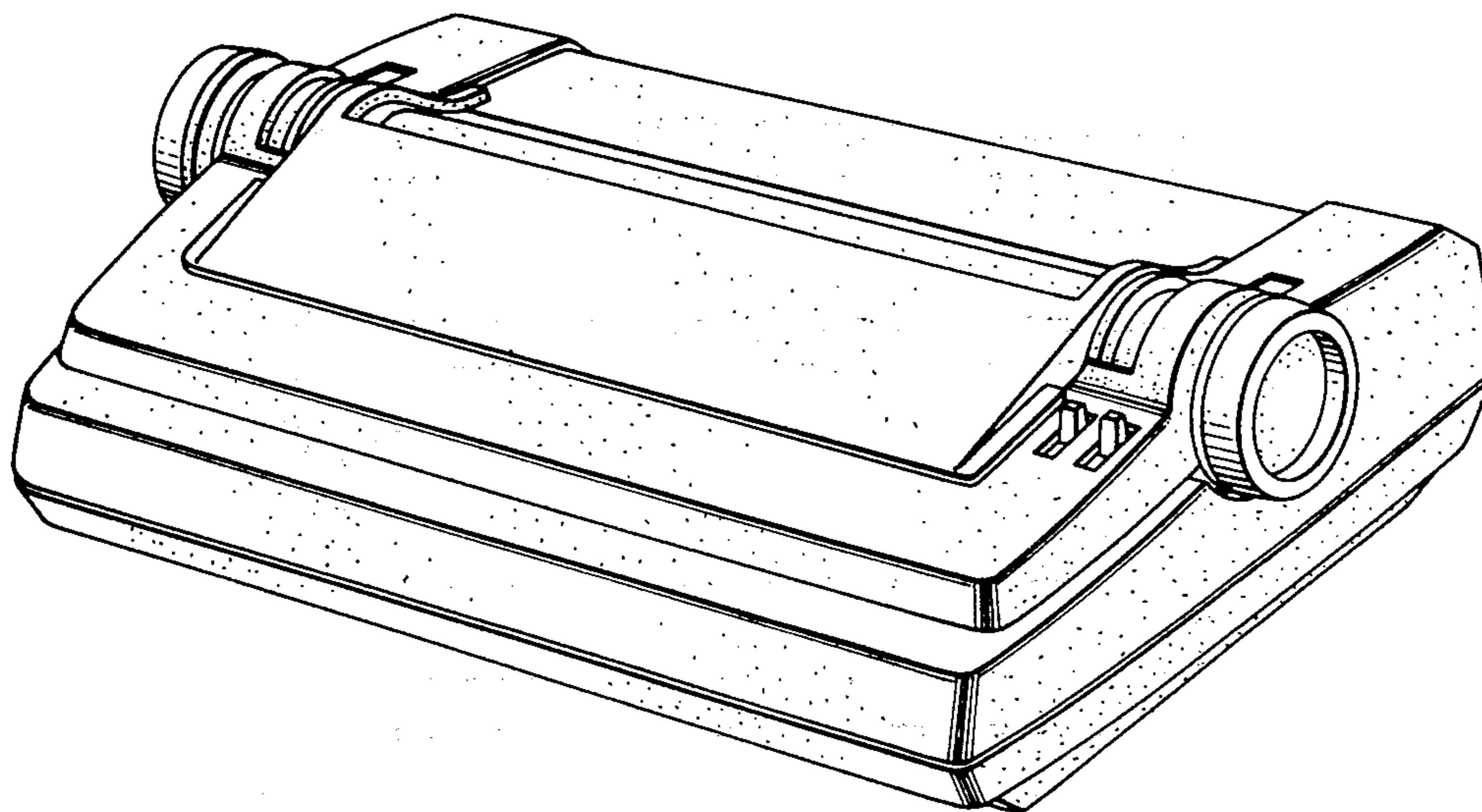


FIG. 1

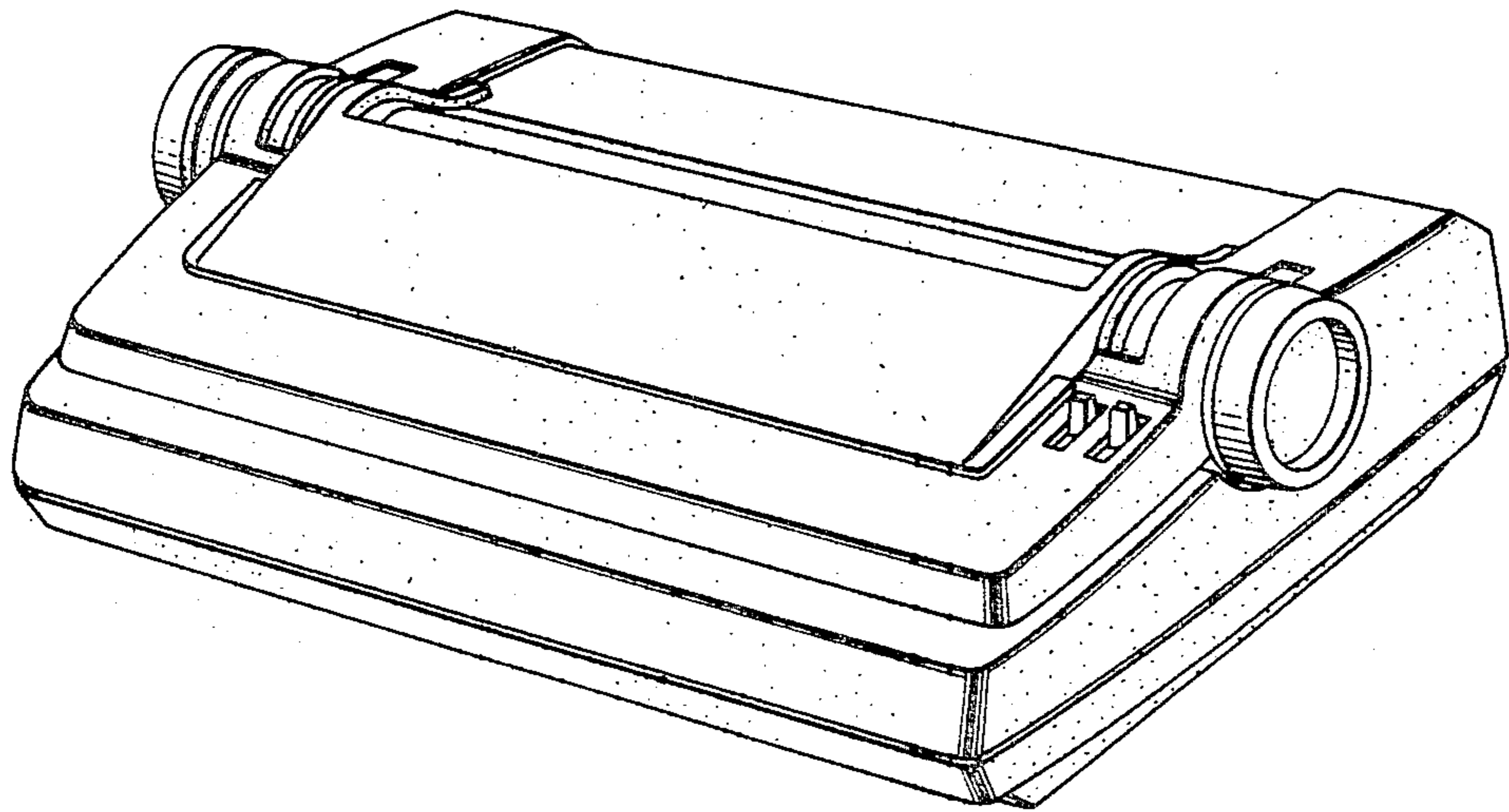


FIG. 2

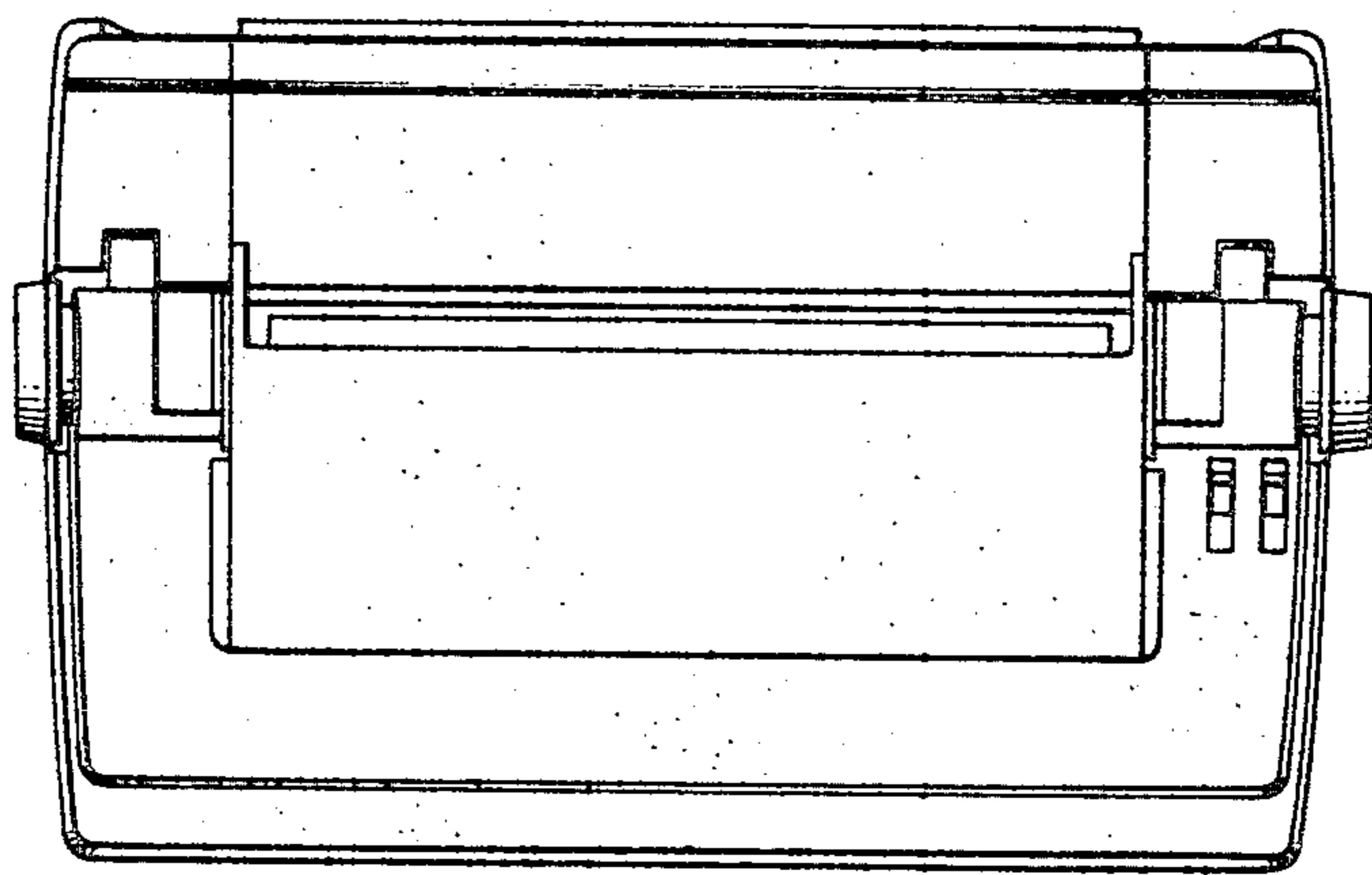


FIG. 3

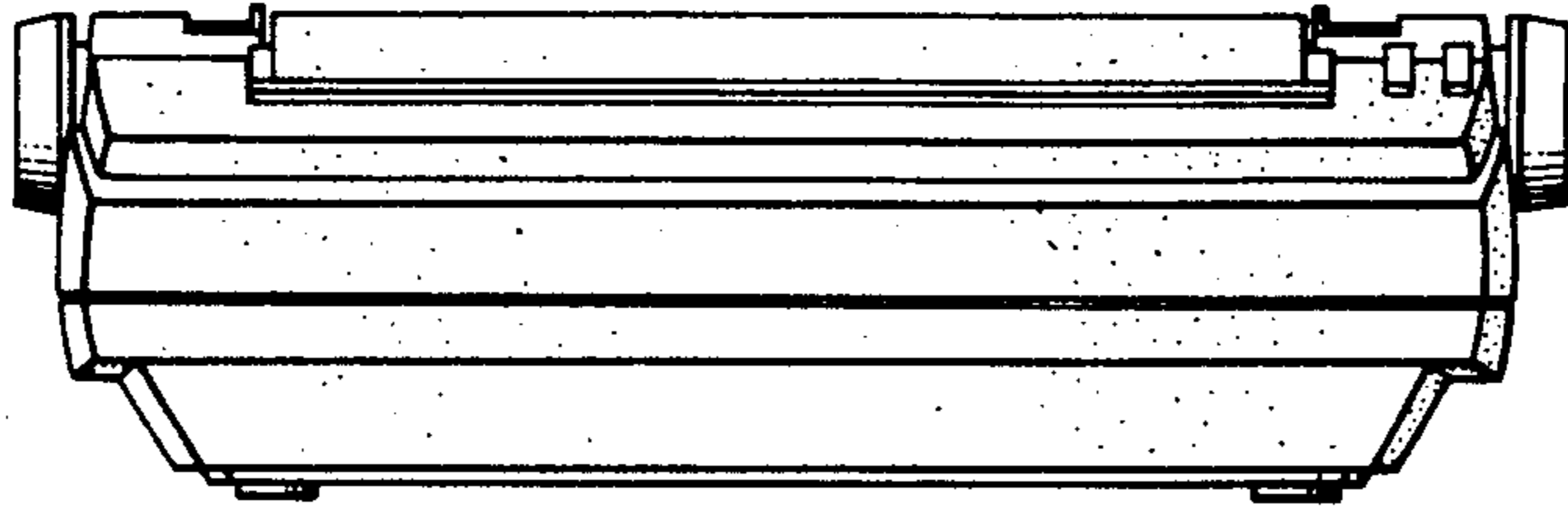


FIG. 4

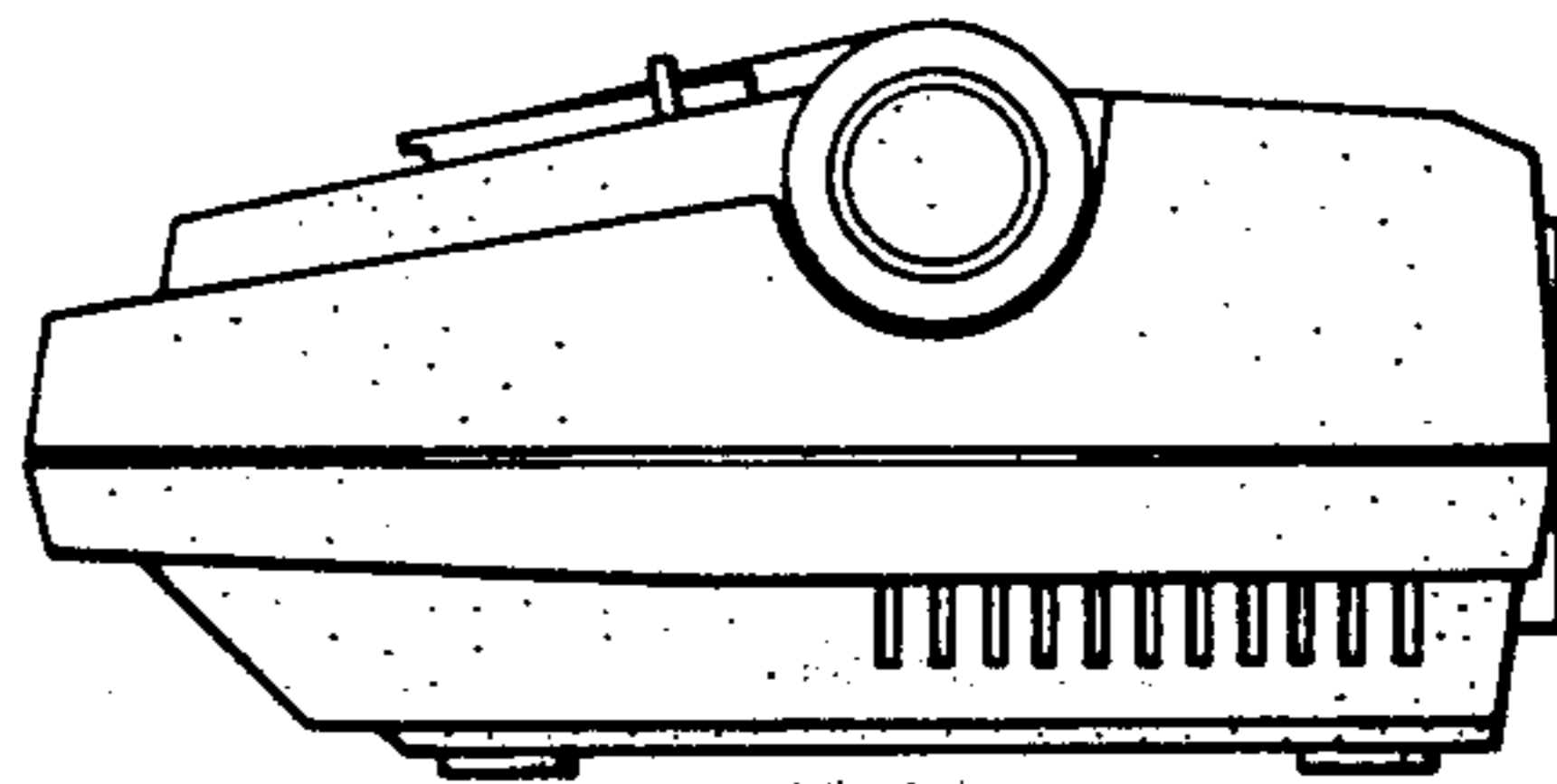


FIG. 5

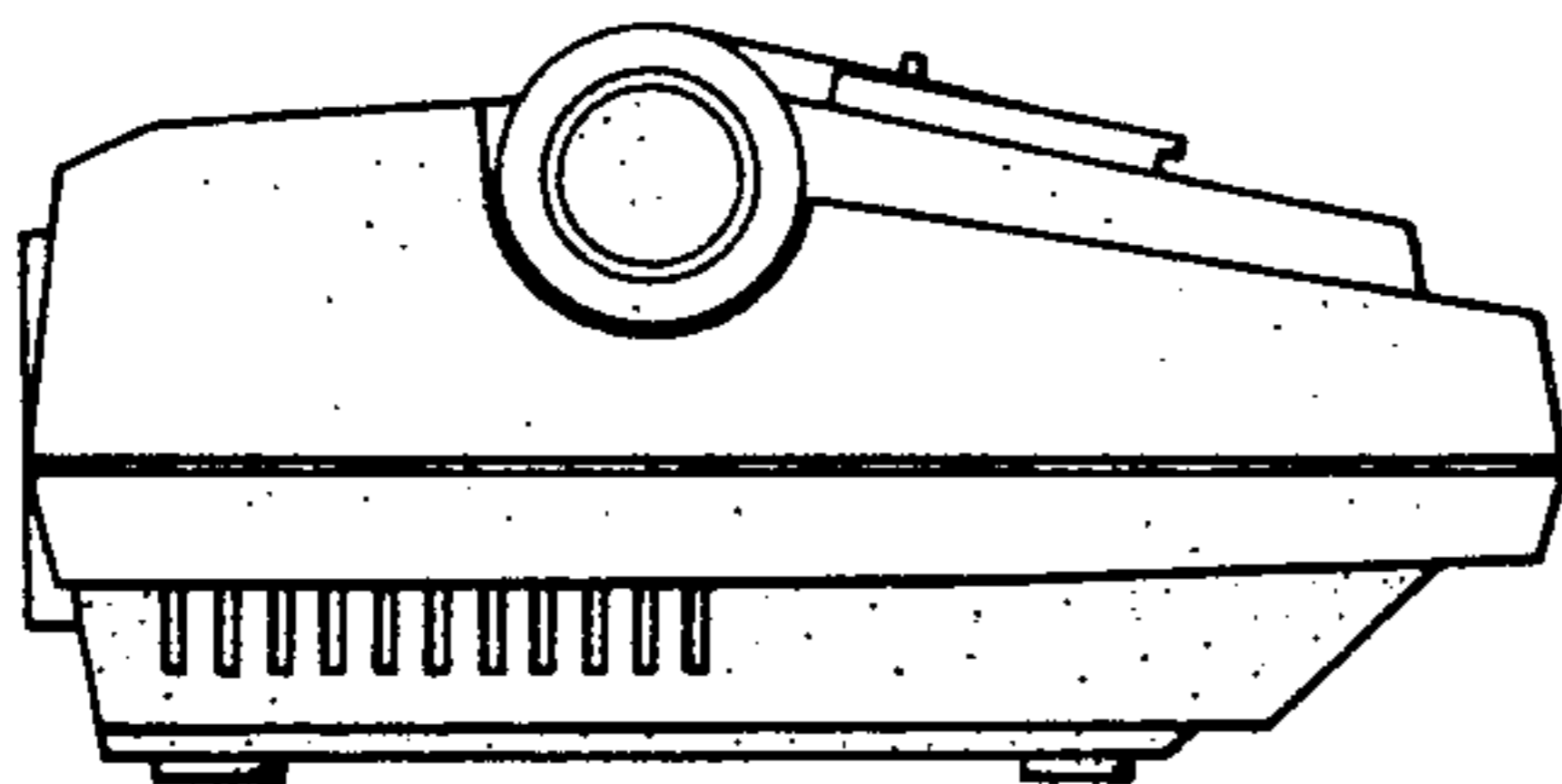


FIG. 6

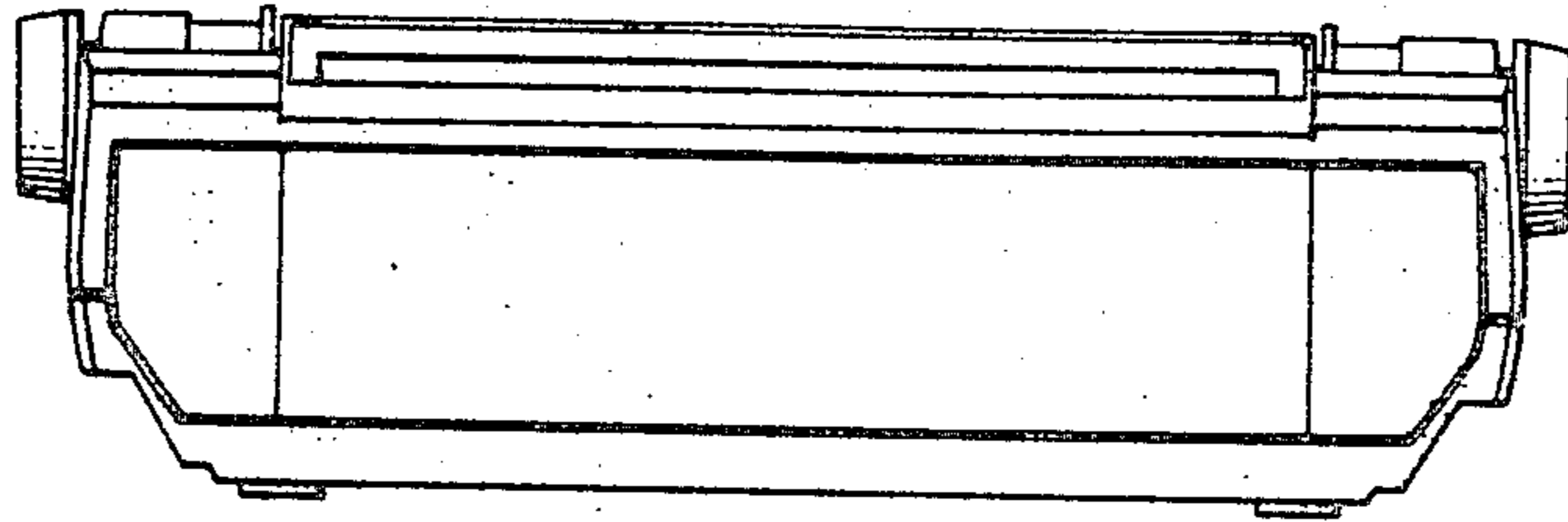


FIG. 7

