

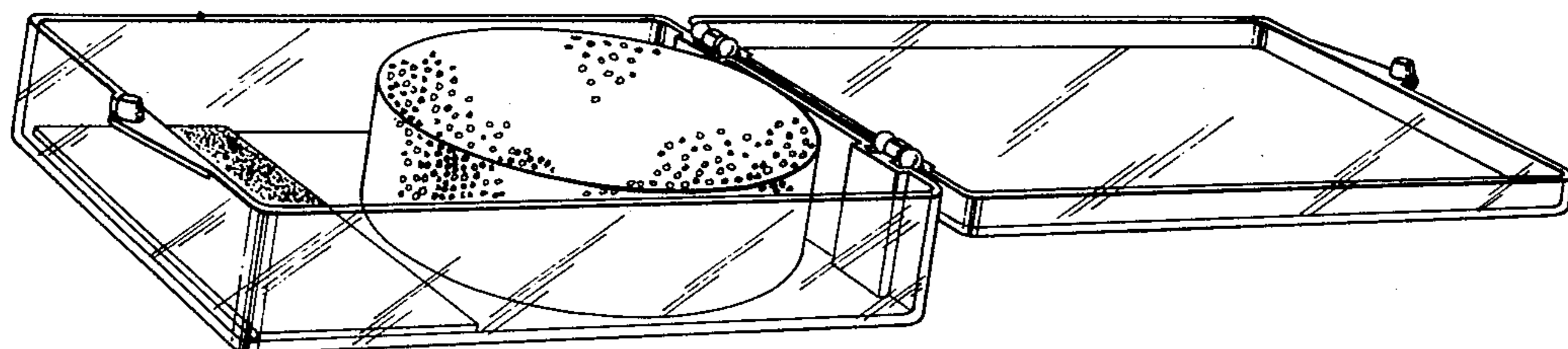
- [54] **PENCIL CLEANING DISC AND ABRASIVE SHEET PACKAGE**
- [75] **Inventor: Michael E. Dalton, Johnson County, Kans.**
- [73] **Assignee: Don C. Heiman, Lawrence, Kans.**
- [\*\*] **Term: 14 Years**
- [21] **Appl. No.: 430,121**
- [22] **Filed: Sep. 30, 1982**
- [52] **U.S. Cl. .... D9/337; D9/420; D9/423**
- [58] **Field of Search ..... 229/44 R; 220/324, 326, 220/337, 338; D9/420, 423; 206/1.7, 214, 224; D19/36, 54, 77, 99, 100**

- [56] **References Cited**
  - U.S. PATENT DOCUMENTS**
  - 3,077,282 2/1963 Eggers ..... 220/338
  - 3,393,444 7/1968 Peters et al. .... 220/338 X
- OTHER PUBLICATIONS**
- "Drawing Instruments & Drafting Supplies", Keuffel &

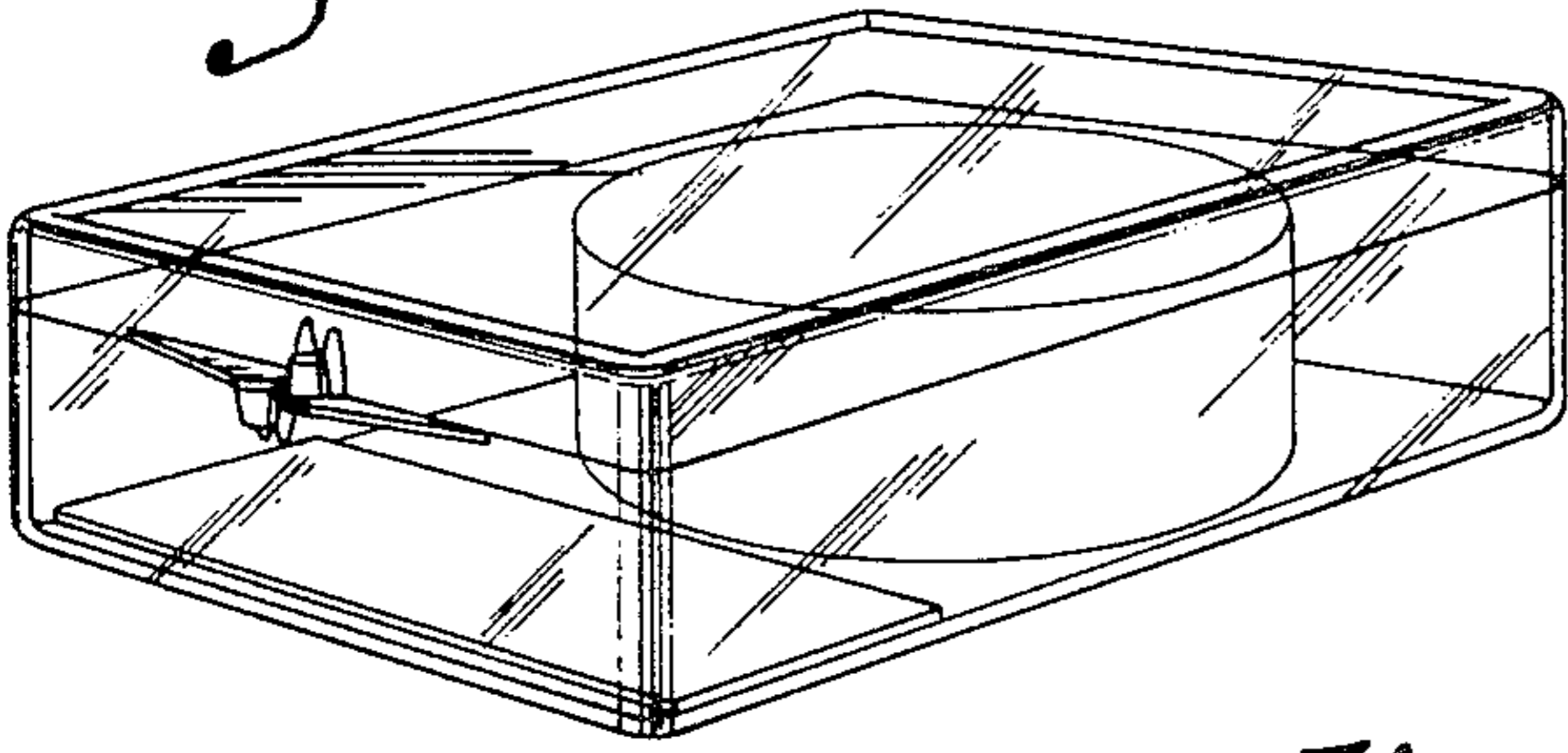
Esser Co., Catalog 5, ©1976, p. 36, Items 580525 and 580535.  
Eaton Allen Brochure, p. 1, Plastic Case, left center of page.  
Bainbridge, Kimpton & Haupt, Inc. Catalog, ©1962, p. 417, Plastic Case, upper left.  
*Primary Examiner*—Robert C. Spangler  
*Attorney, Agent, or Firm*—Kokjer, Kircher, Bradley, Wharton, Bowman & Johnson

[57] **CLAIM**  
The ornamental design for a pencil cleaning disc and abrasive sheet package, as shown and described.

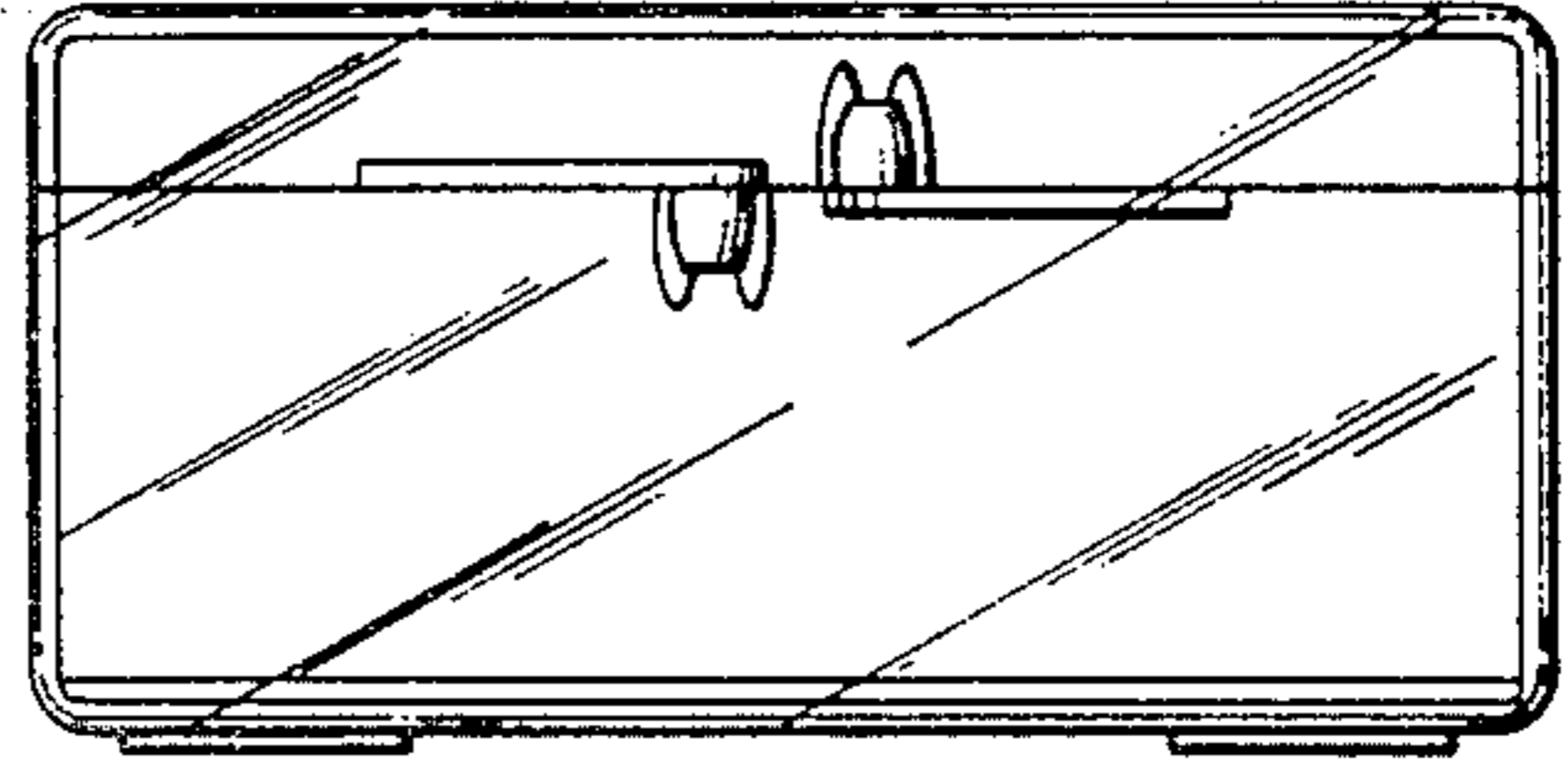
**DESCRIPTION**  
FIG. 1 is a perspective view of a pencil cleaning disc and abrasive sheet package showing my new design; FIG. 2 is a front elevational view; FIG. 3 is a side elevational view, the opposite side being a mirror image thereof; FIG. 4 is a rear elevational view; FIG. 5 is a top plan view; FIG. 6 is a bottom plan view; and FIG. 7 is a top perspective view in an open position.



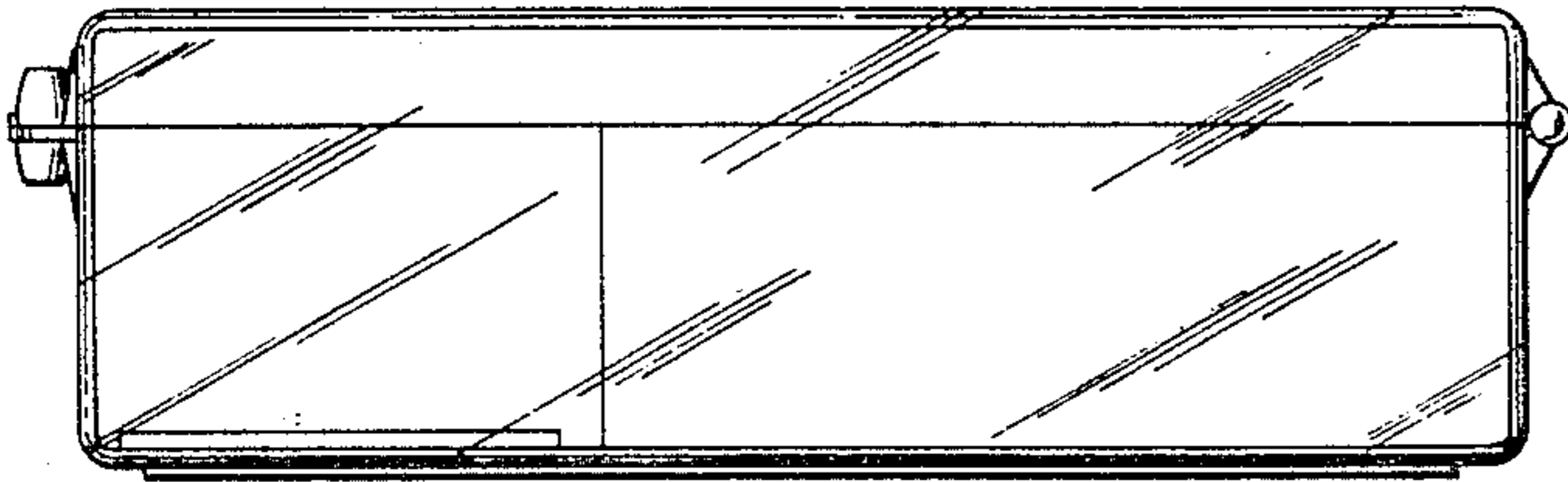
*Fig. 1.*



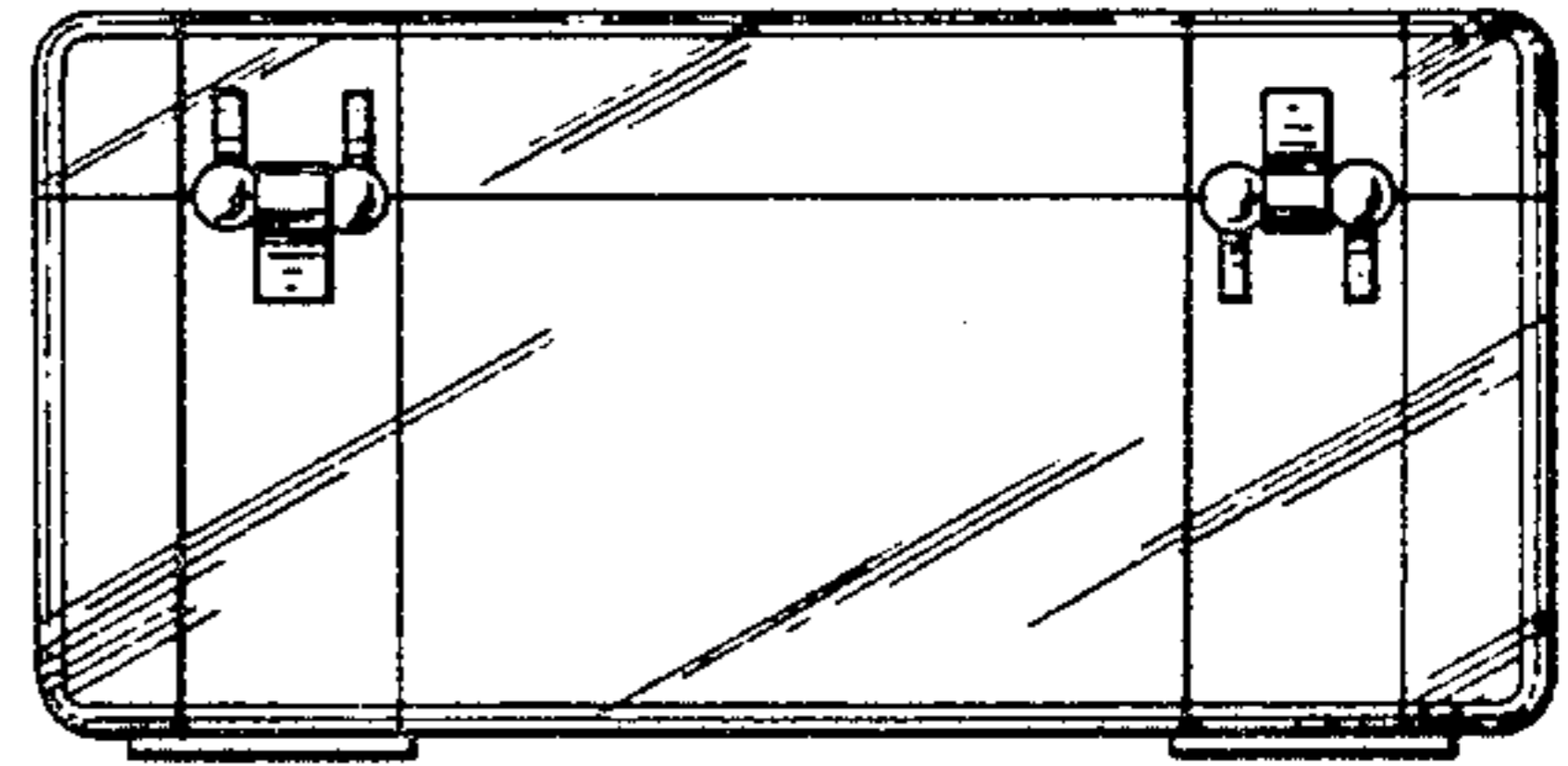
*Fig. 2.*



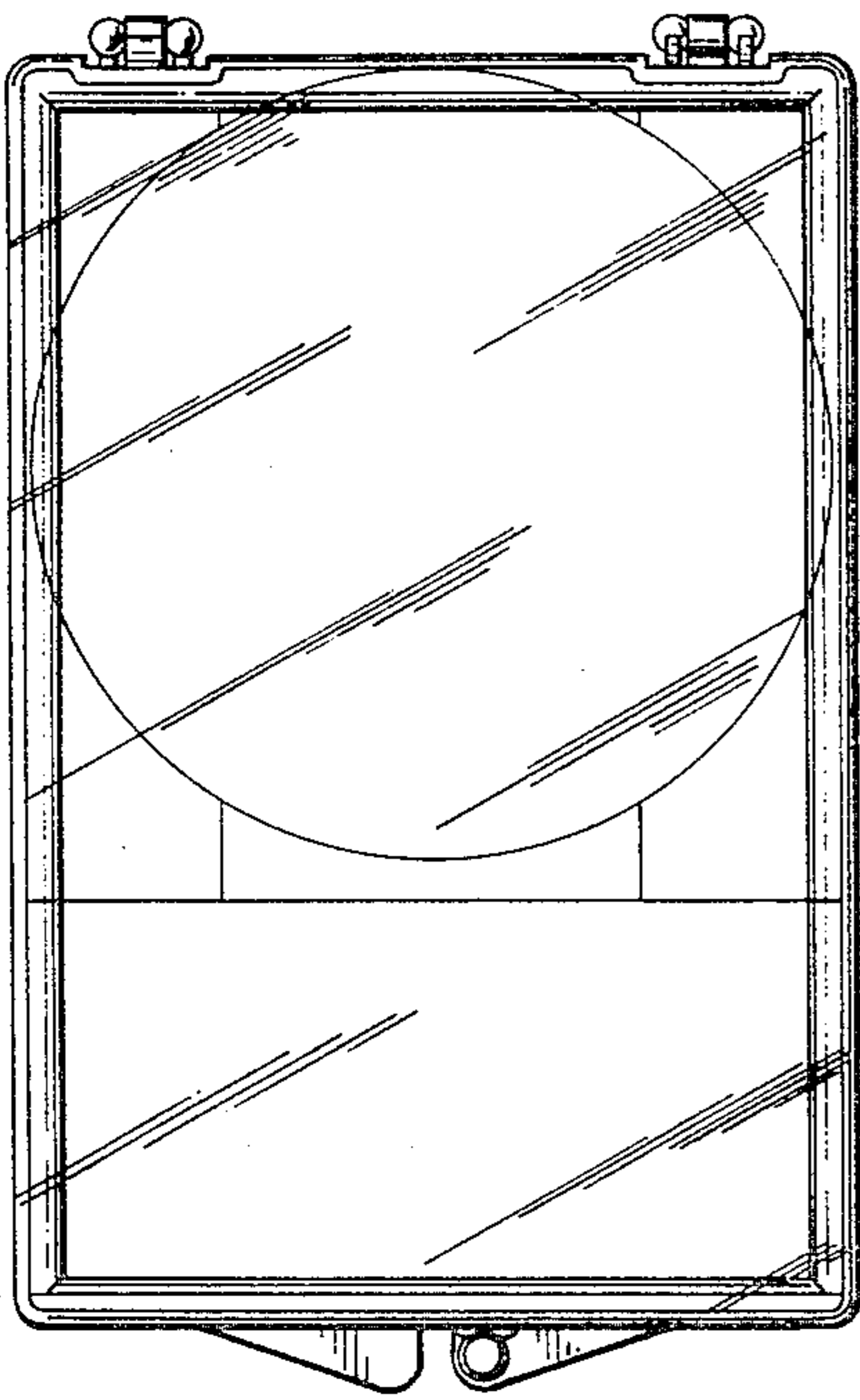
*Fig. 3.*



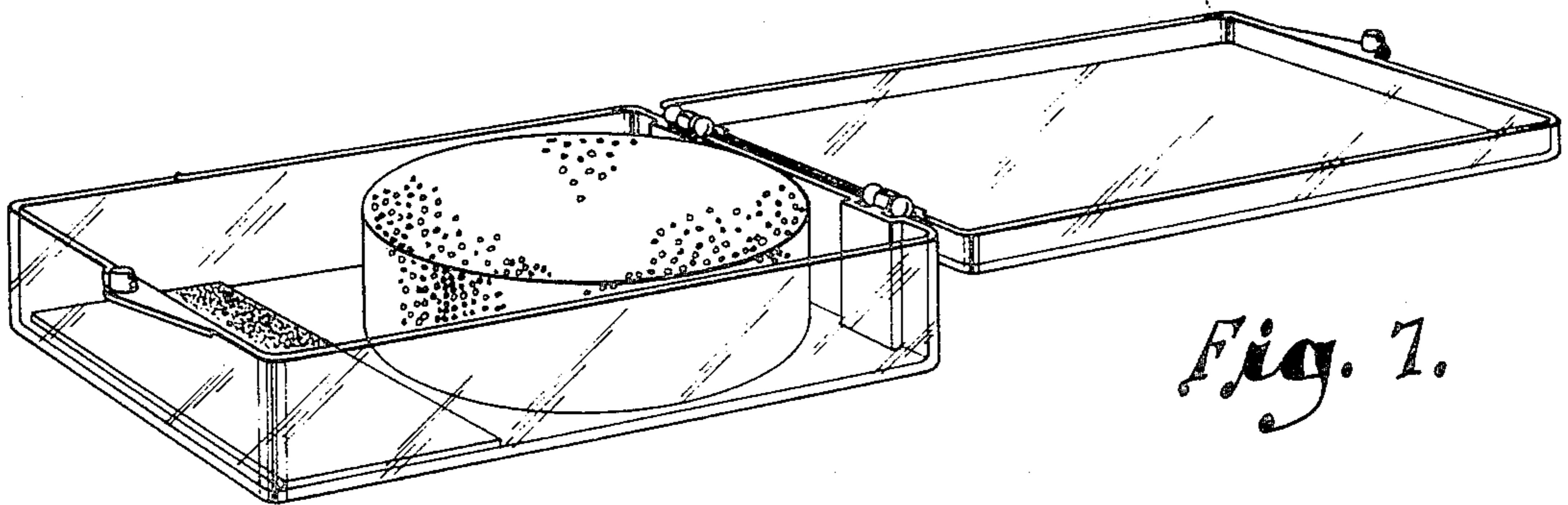
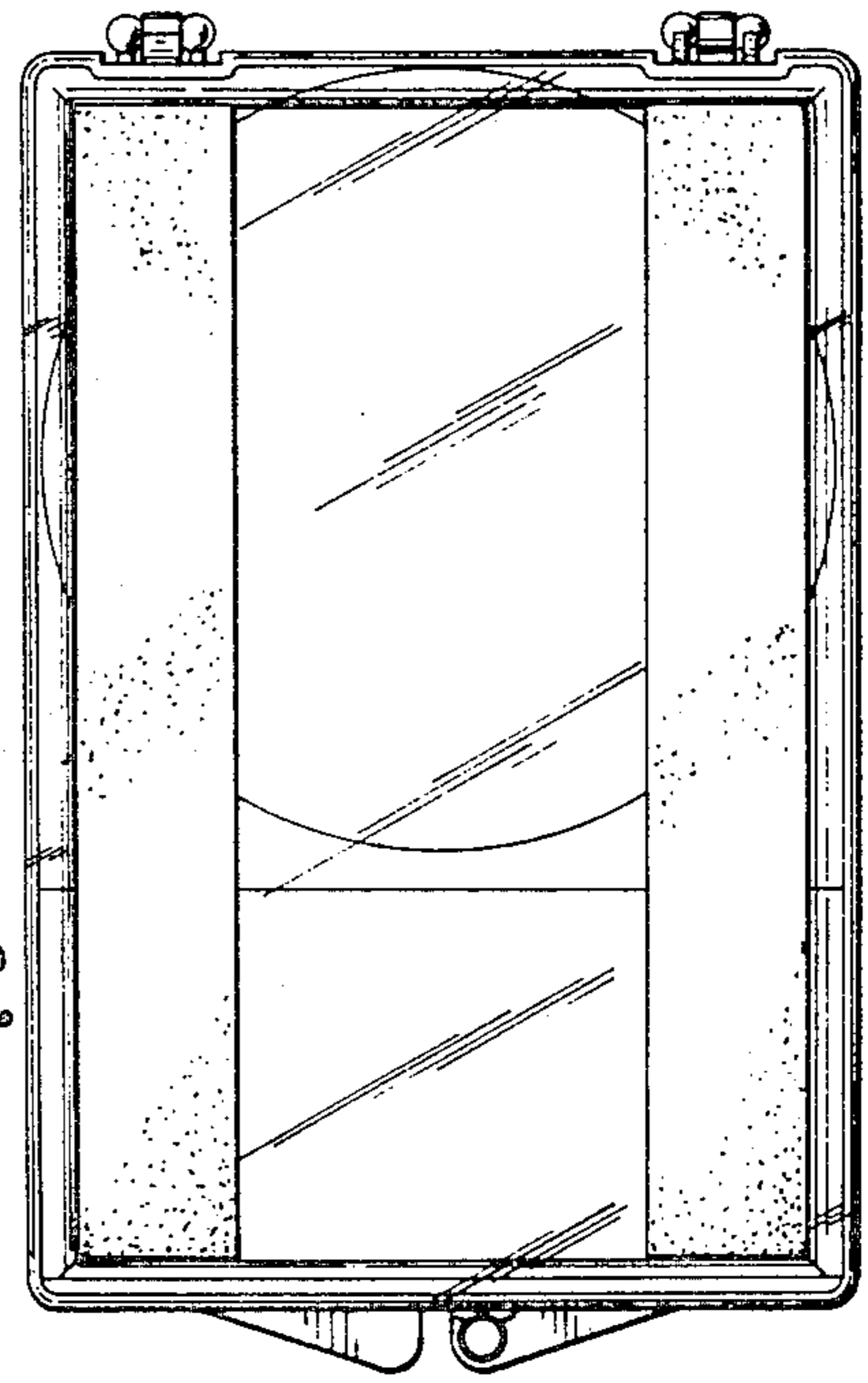
*Fig. 4.*



*Fig. 5.*



*Fig. 6.*



*Fig. 7.*