

[54] COMBINED PLASTIC TIRE LEVER SET AND HOLDER THEREFOR

[75] Inventor: Joannes H. Drexler, Doesburg, Netherlands

[73] Assignee: B.V. Machine- en Metaalwarenfabriek "Dremefa", Doesburg, Netherlands

[**] Term: 14 Years

[21] Appl. No.: 660,367

[22] Filed: Oct. 12, 1984

Related U.S. Application Data

[62] Division of Ser. No. 434,090, Oct. 13, 1982, Pat. No. Des. 277,640.

[30] Foreign Application Priority Data

Apr. 20, 1982 [XB] Benelux 56784 01/20
Apr. 20, 1982 [XB] Benelux 56784 02/02
[52] U.S. Cl. D8/88
[58] Field of Search D8/71, 72, 88, 89; D9/337, 418; 206/349, 372, 376; 157/1.3; 254/17, 131

[56] References Cited

U.S. PATENT DOCUMENTS

Table with 4 columns: Patent No., Date, Inventor, and Reference No. (e.g., D. 45,735 5/1914 Daniels D9/418)

Primary Examiner—Susan J. Lucas
Assistant Examiner—C. E. Heflin

[57] CLAIM

The ornamental design for a combined plastic tire lever set and holder therefor, as shown.

DESCRIPTION

FIG. 1 is a rear perspective view of a combined plastic tire lever set and holder therefor showing my new design;
FIG. 2 is a front perspective view thereof;
FIG. 3 is a side elevational view thereof;
FIG. 4 is a plan view thereof;
FIG. 5 is a bottom view thereof;
FIG. 6 is a rear elevational view thereof; and
FIG. 7 is a front elevational view thereof.

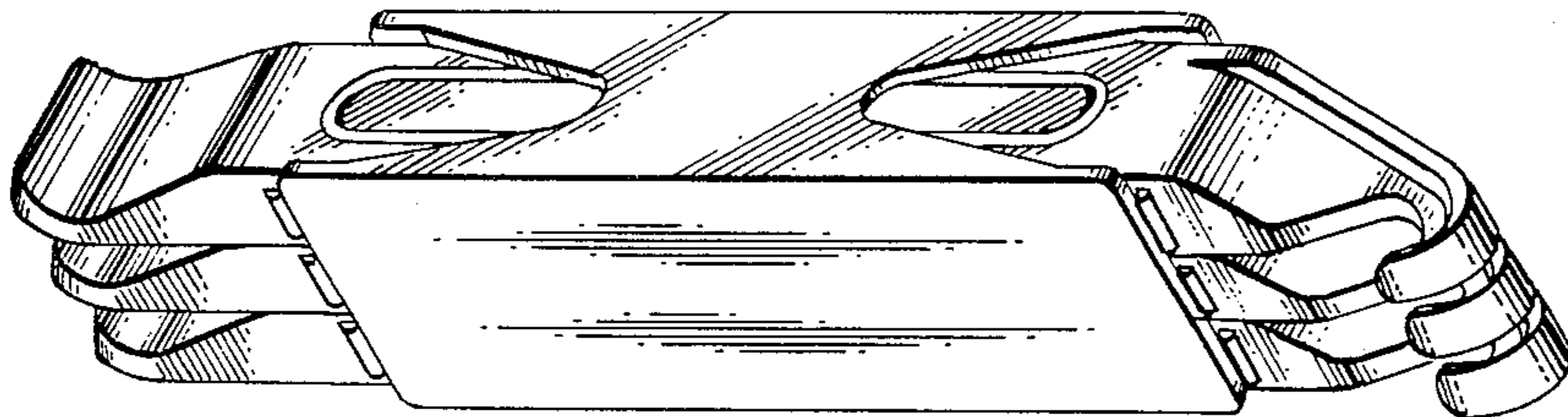


FIG. 1

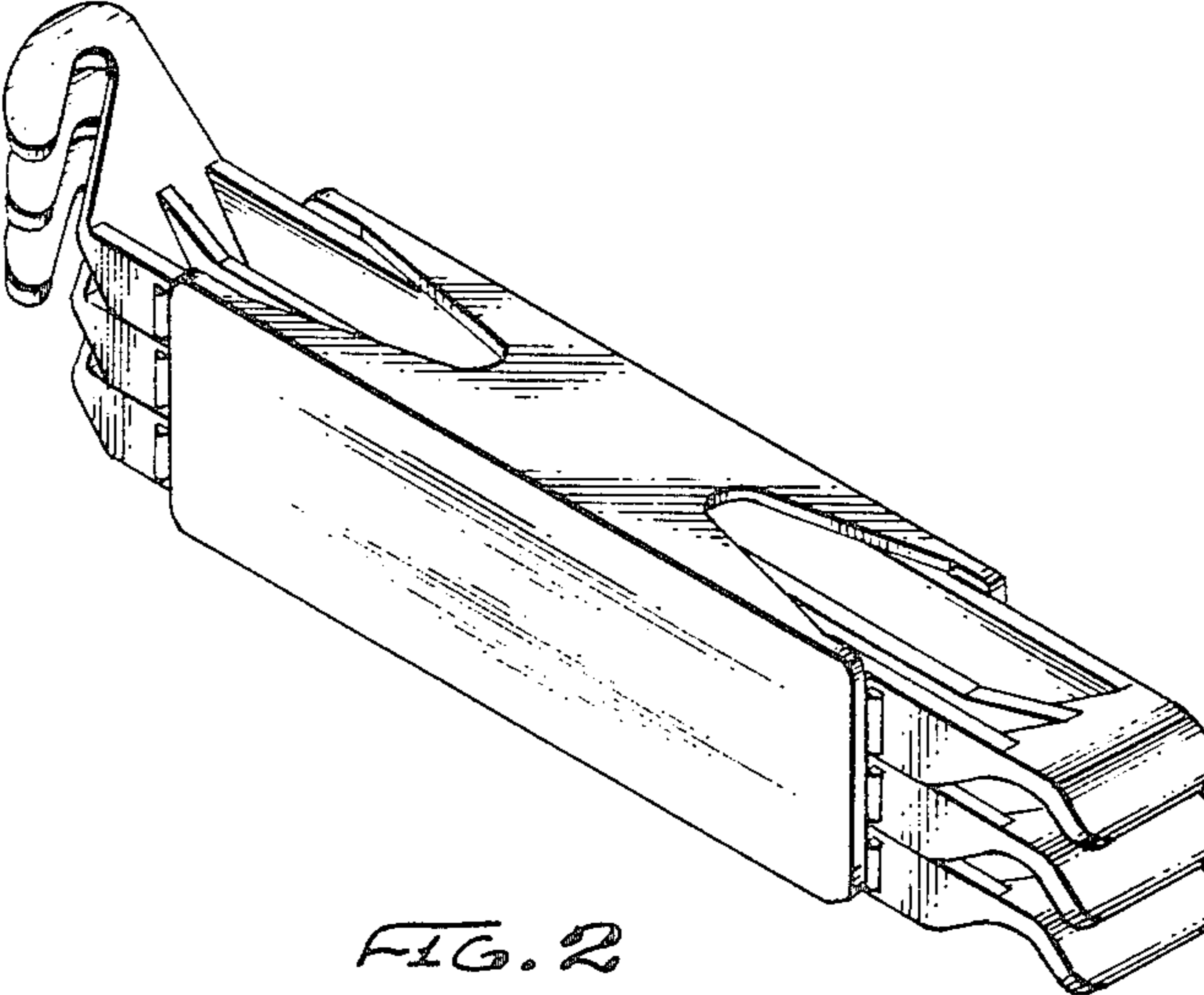
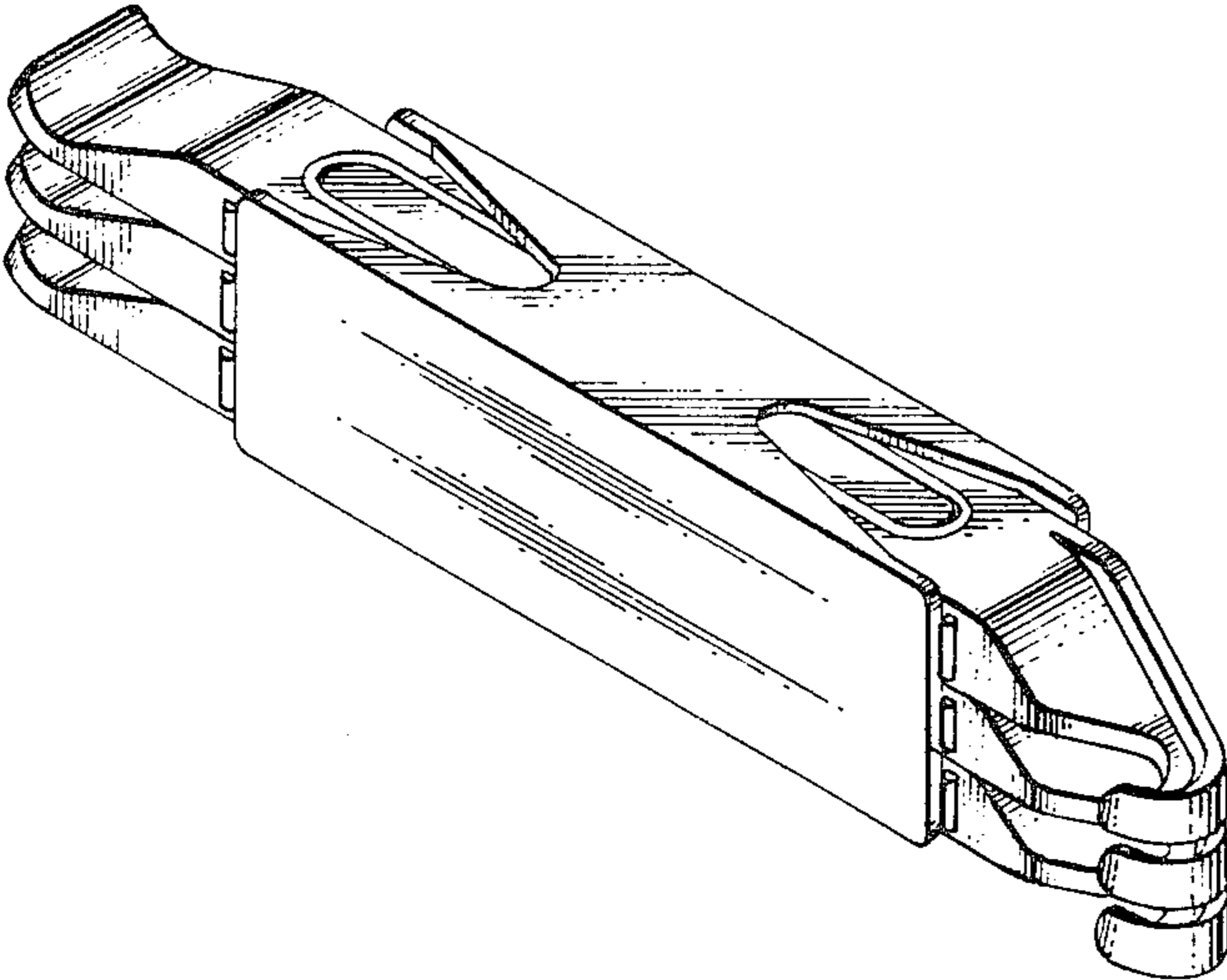


FIG. 2

FIG. 3

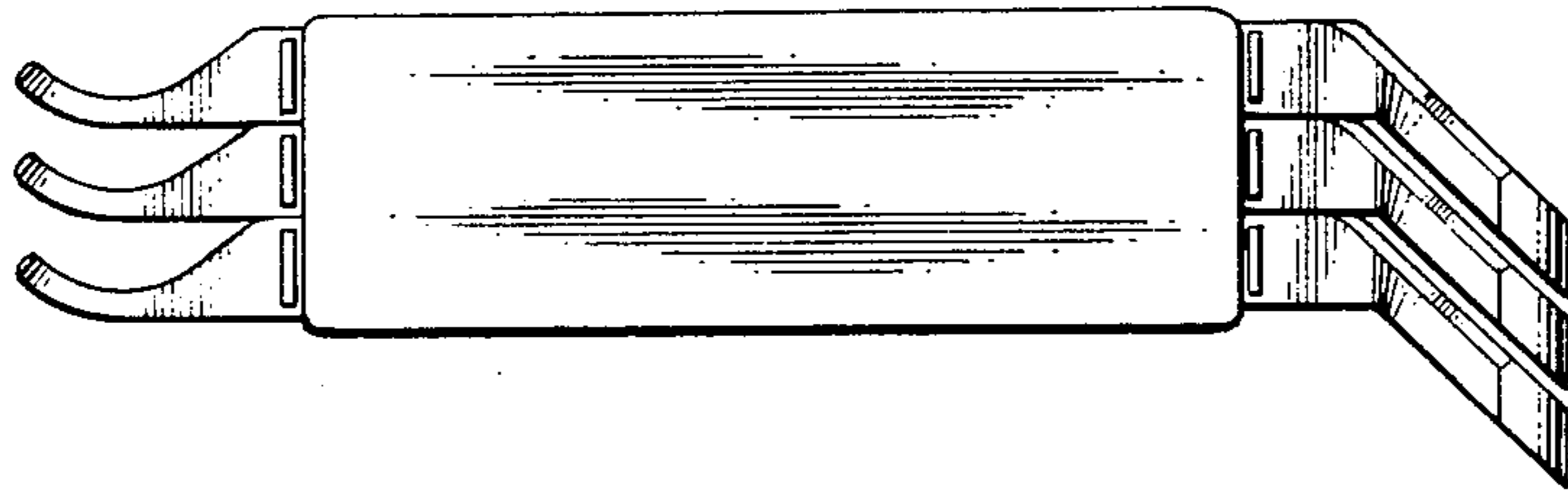


FIG. 4

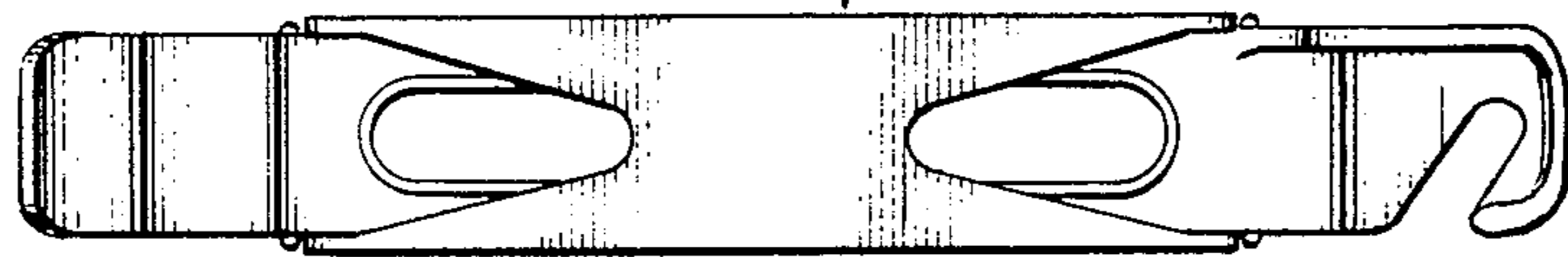


FIG. 5

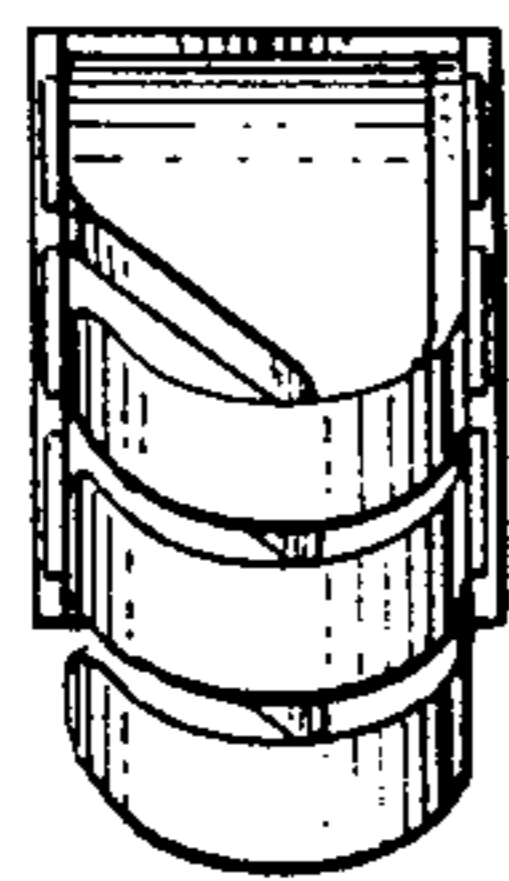


FIG. 6

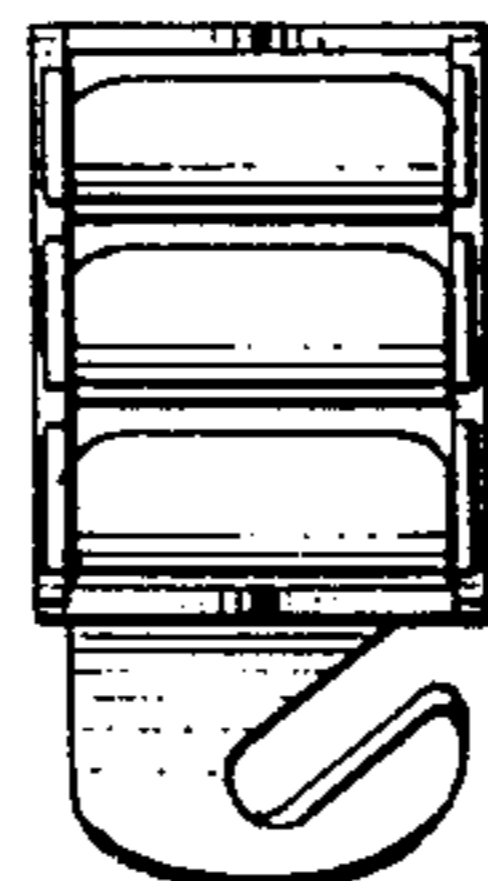


FIG. 7