

[54] PLANT ROOT EXTRACTION TOOL

[75] Inventor: Lester H. Baker, Prescott, Ariz.

[73] Assignee: Warren F. B. Lindsley, Paradise Valley, Ariz.

[**] Term: 14 Years

[21] Appl. No.: 547,049

[22] Filed: Oct. 31, 1983

[52] U.S. Cl. D8/9; D8/1

[58] Field of Search D8/1, 5, 8, 9; 254/132, 254/129, 131.5; 294/55.5, 50.5, 50.8, 50.9

[56] References Cited

U.S. PATENT DOCUMENTS

D. 142,531	10/1945	Sand	D8/9
D. 191,619	10/1961	Grahovac	D8/9
.1,131,714	3/1915	Kress	.
2,901,280	8/1959	Hall	D8/9
3,029,502	4/1962	Middaugh	254/129
3,138,365	6/1964	Rundle	254/132
3,257,100	6/1966	Helders	254/132
3,288,437	11/1966	Pederson	254/132
3,293,674	12/1966	Sapia	294/55.5
3,310,121	3/1967	Hussar	294/50.8

3,865,348	2/1975	Close	254/132
3,976,282	8/1976	Baker	254/132
4,281,866	8/1981	Acheson	254/132

FOREIGN PATENT DOCUMENTS

746380	11/1966	Canada	254/113
2853359	6/1980	Fed. Rep. of Germany	254/131.5
76496	9/1961	France	.
181735	4/1936	Switzerland	254/131.5
245918	12/1946	Switzerland	254/131.5
1007273	10/1965	United Kingdom	.

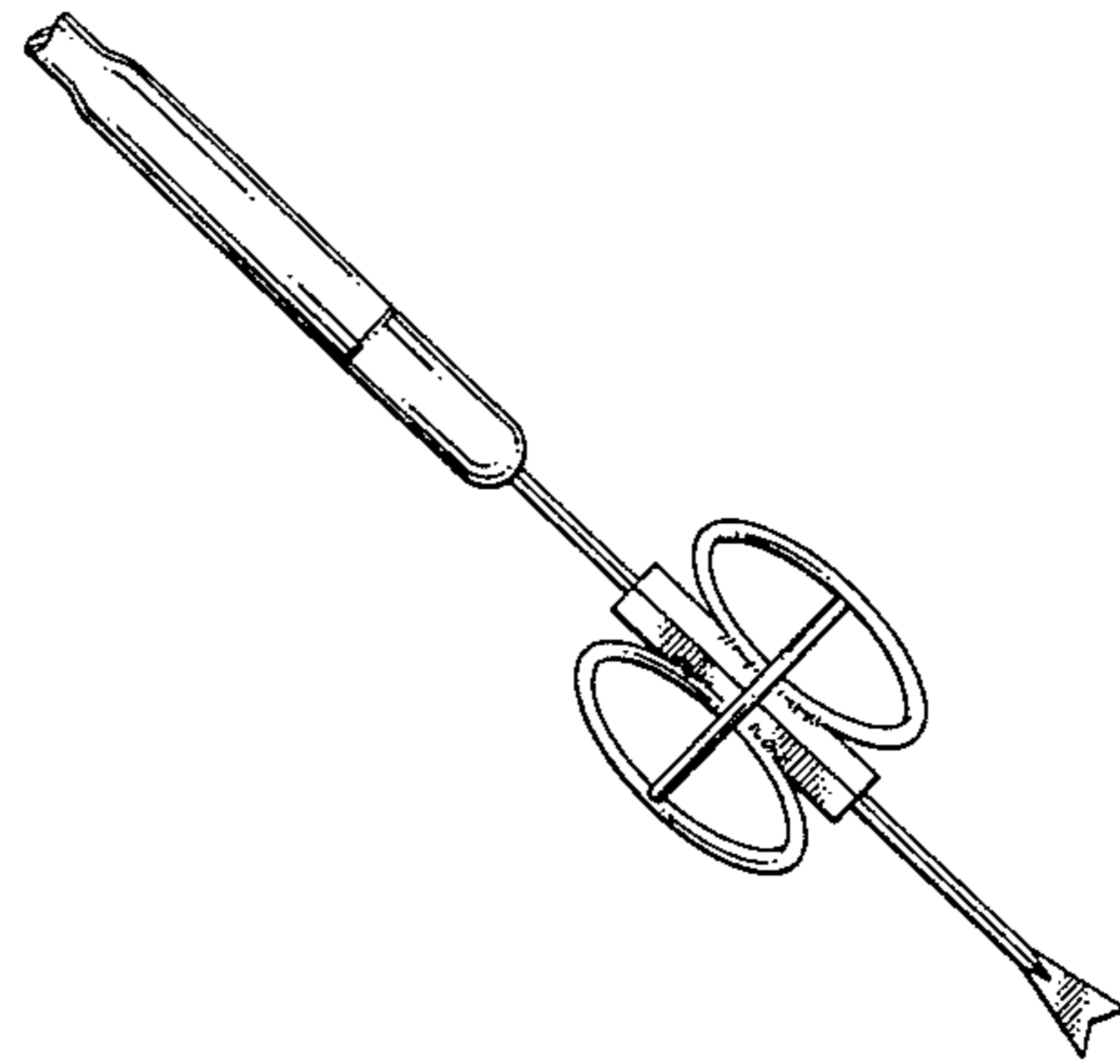
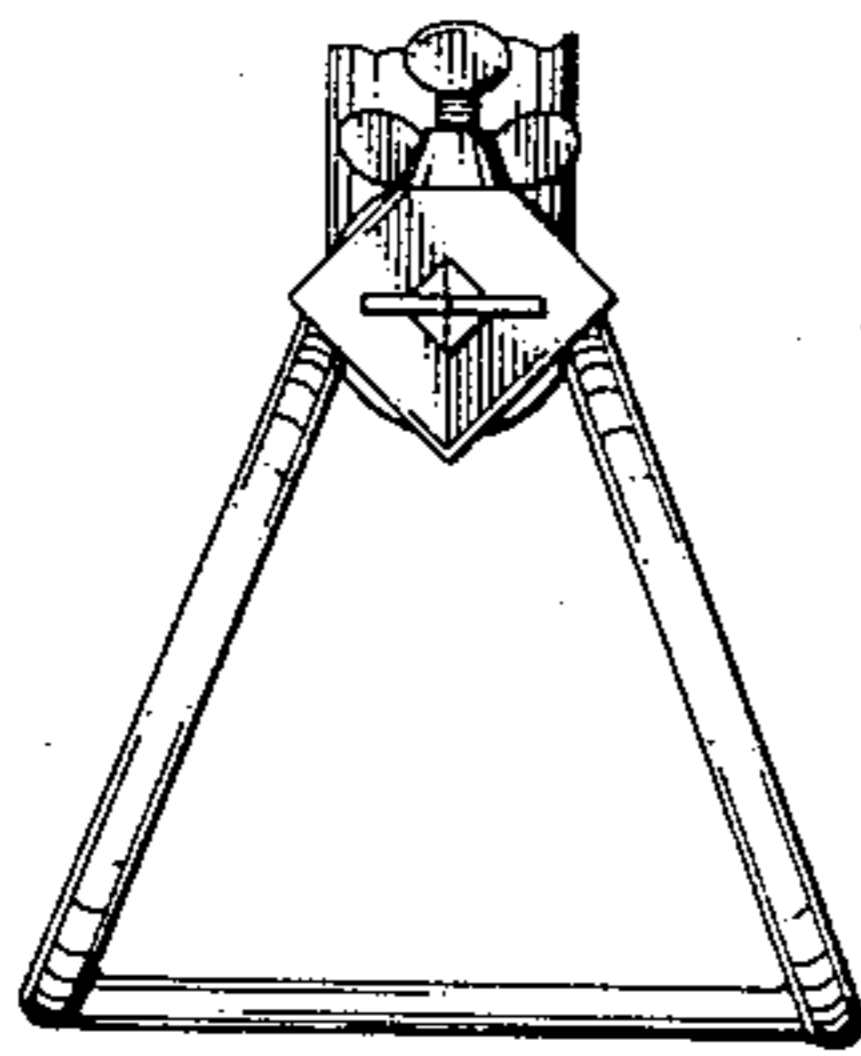
Primary Examiner—Wallace R. Burke
Assistant Examiner—Horace B. Fay
Attorney, Agent, or Firm—Warren F. B. Lindsley

[57] CLAIM

The ornamental design for a plant root extraction tool, as shown and described.

DESCRIPTION

FIG. 1 is a top and left side perspective view of a plant root extraction tool showing my new design; FIG. 2 is a right end view of FIG. 1; FIG. 3 is a bottom view of FIG. 1; and FIG. 4 is a right side view of FIG. 1. A fragmentary view of the handle is shown in FIGS. 3 and 4 for convenience of illustration.



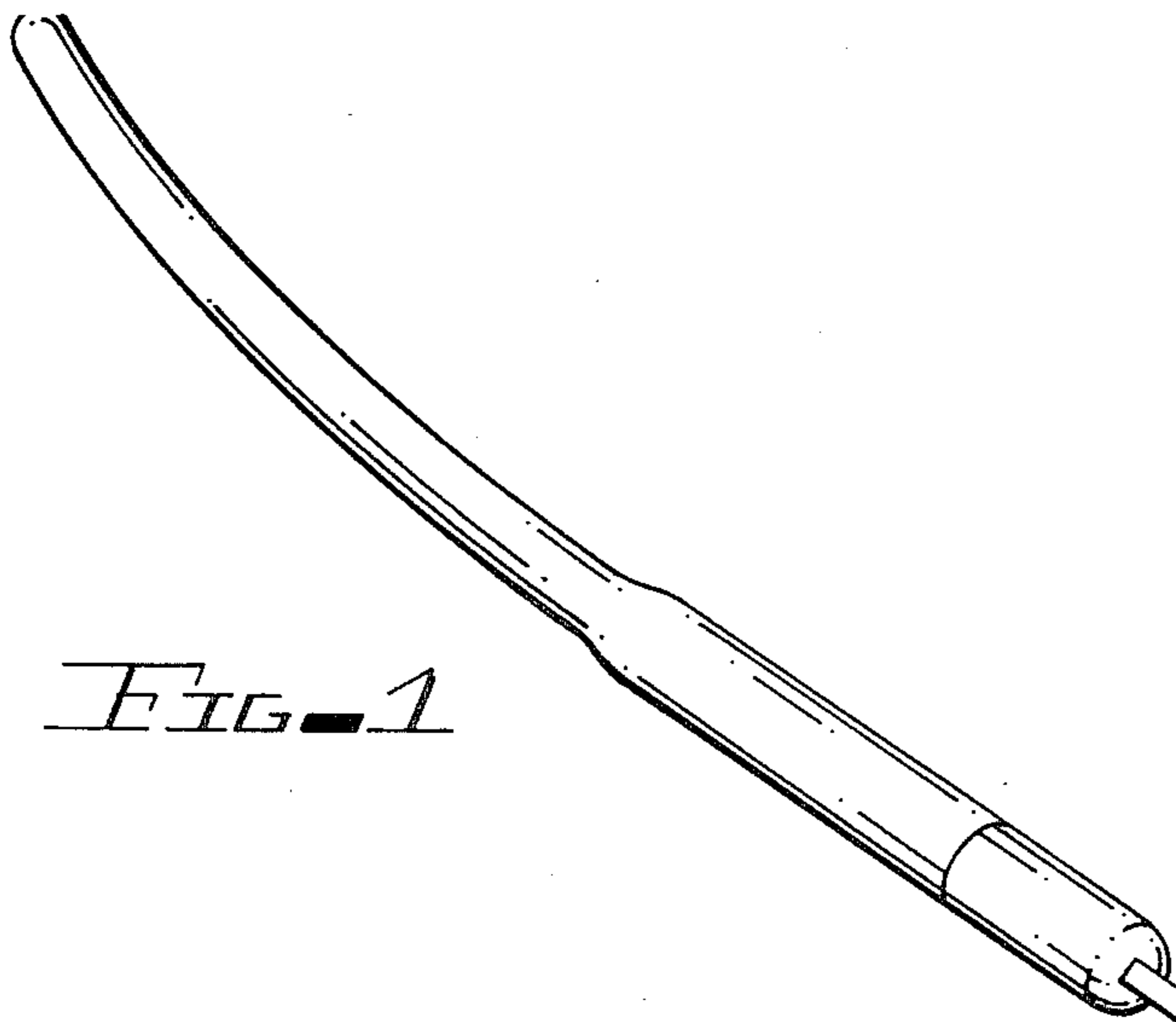


FIG. 1

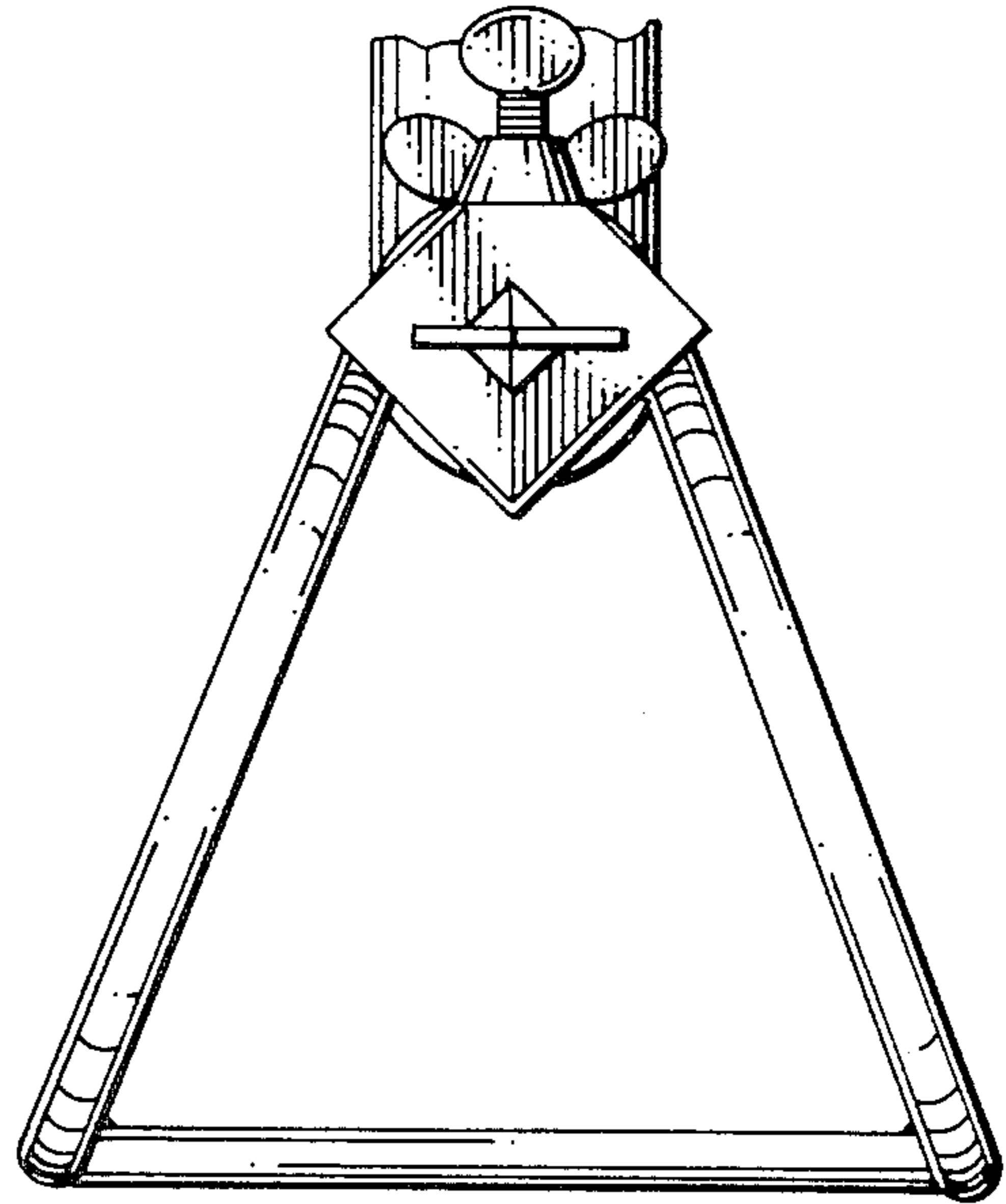


FIG. 2

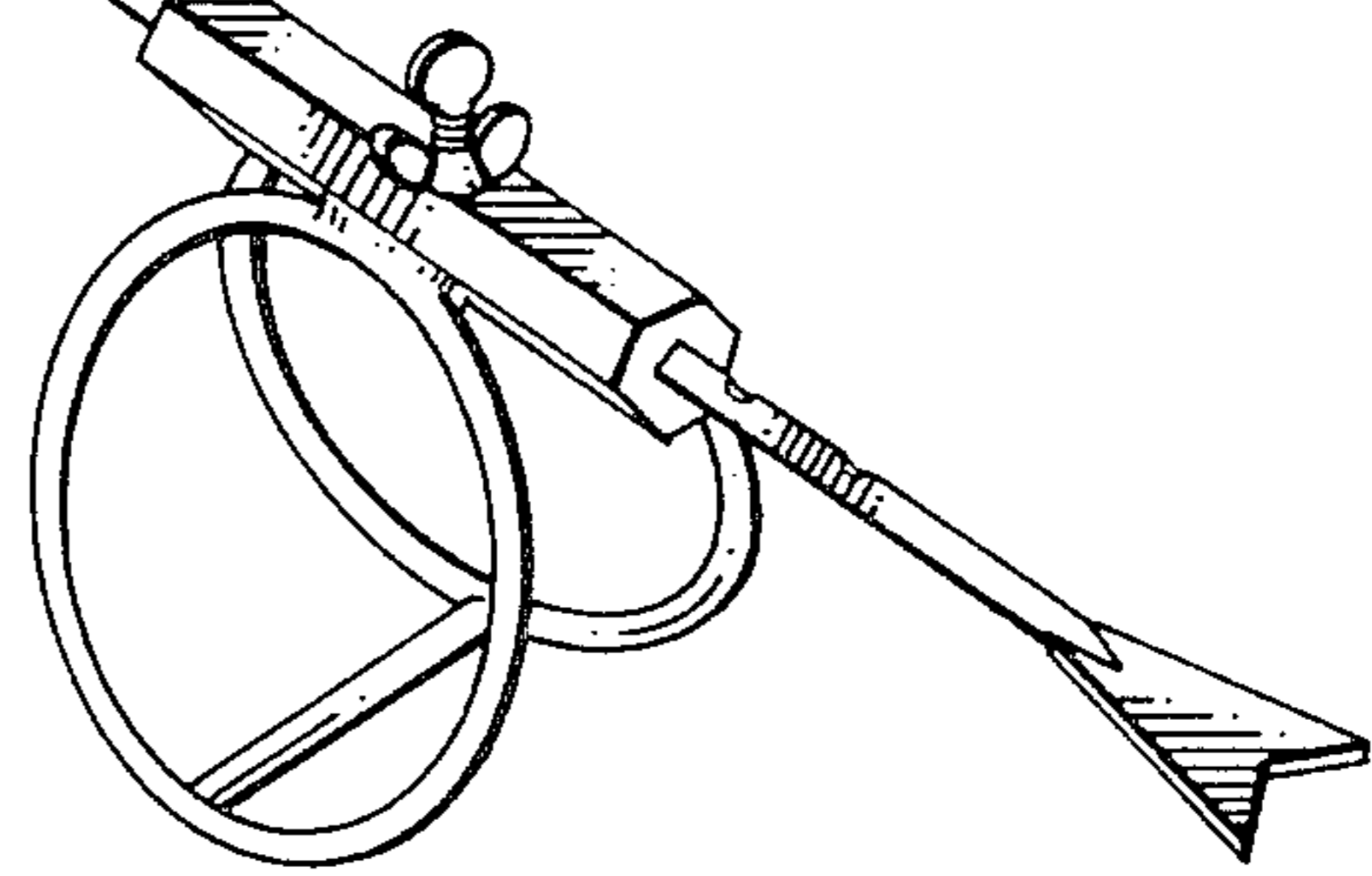


FIG. 3

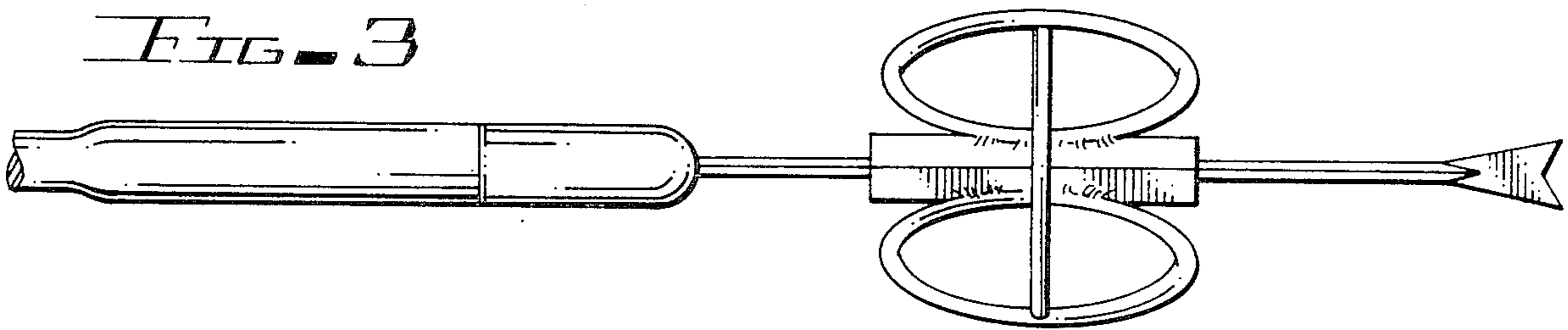


FIG. 4

