

[54] CLOSURE-PENETRATING SUPPORT FOR A BOTTLE

[76] Inventor: John F. Sullivan, 14734 Lassen St., Mission Hills, Calif. 91345

[**] Term: 14 Years

[21] Appl. No.: 464,150

[22] Filed: Feb. 7, 1983

[52] U.S. Cl. D7/398

[58] Field of Search D7/398, 397, 304, 387, D7/47, 106, 68; D9/437; D23/19, 20, 27; 215/100.5, 100 R; 141/330; 222/82, 83, 83.5, 183, 88, 80, 86; 62/390; 220/356

[56] References Cited

U.S. PATENT DOCUMENTS

1,028,542	6/1912	Christian	141/330
1,142,210	6/1915	Wagner	222/88
1,241,352	9/1917	Doering, Jr. et al.	222/88
1,248,705	12/1917	Pogue	141/330 X
1,337,206	4/1920	Doering et al.	141/330 X
1,979,323	12/1917	Pogue	62/390

2,134,127	10/1938	Hopkins	222/83.5 X
2,767,744	10/1956	Beerman	141/330 X
3,538,866	11/1970	Gaines	222/83.5 X
4,216,885	8/1980	Sedam	222/83.5 X
4,407,428	10/1983	Stone	220/356

Primary Examiner—Bernard Ansher
Assistant Examiner—Linda Titolo
Attorney, Agent, or Firm—Norman B. Rainer

[57] CLAIM

The ornamental design for a closure-penetrating support for a bottle, substantially as shown and described.

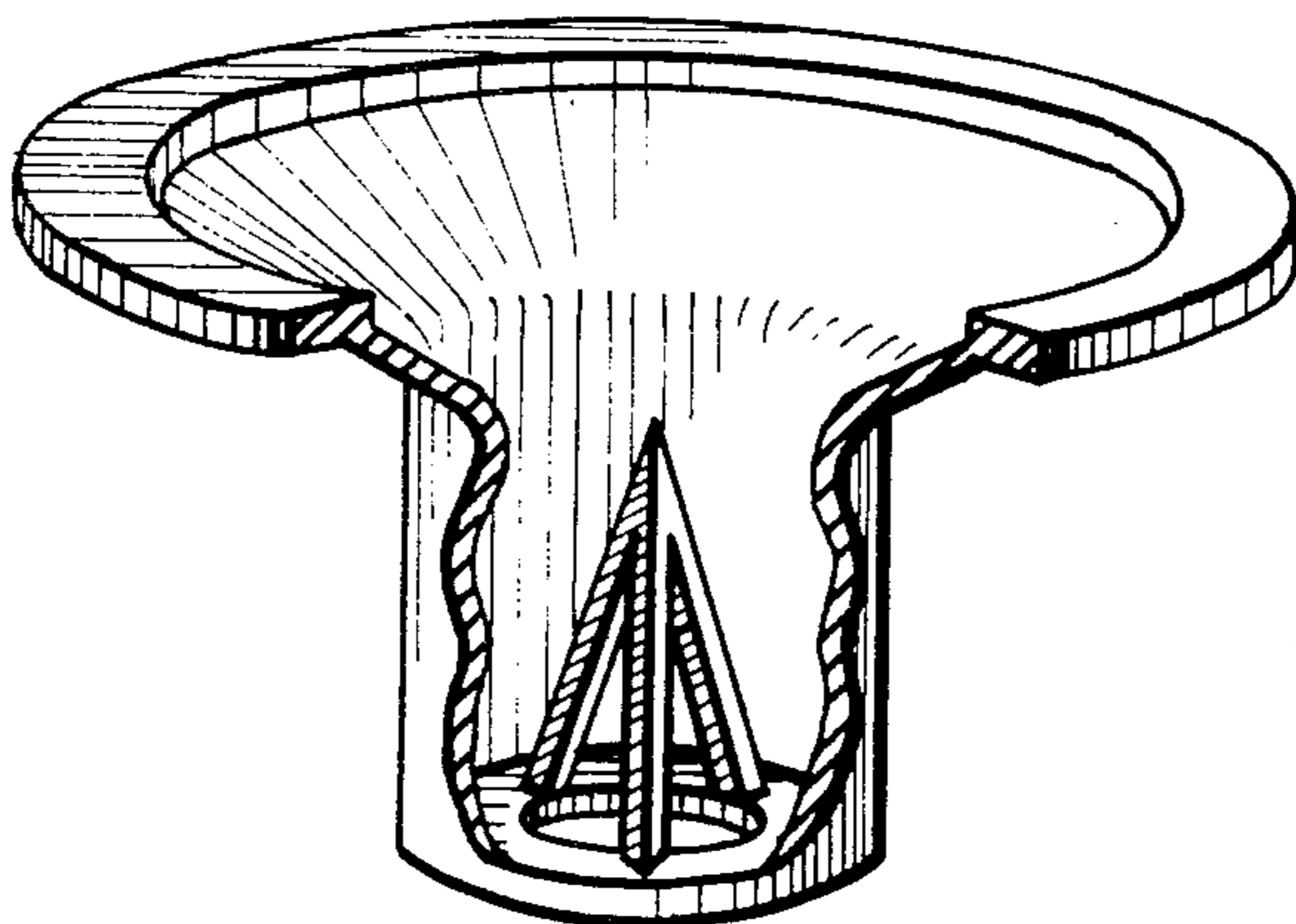
DESCRIPTION

FIG. 1 is a cross-sectional view, taken on line 1—1 of FIG. 2, of a closure-penetrating support for a bottle, showing my new design. The broken lines representing the water cooling apparatus and water bottle are shown for illustrative purposes only;

FIG. 2 is a top plan view thereof;

FIG. 3 is a bottom plan view thereof; and

FIG. 4 is a top side perspective view thereof with the front wall shown fragmentarily for ease of illustration.



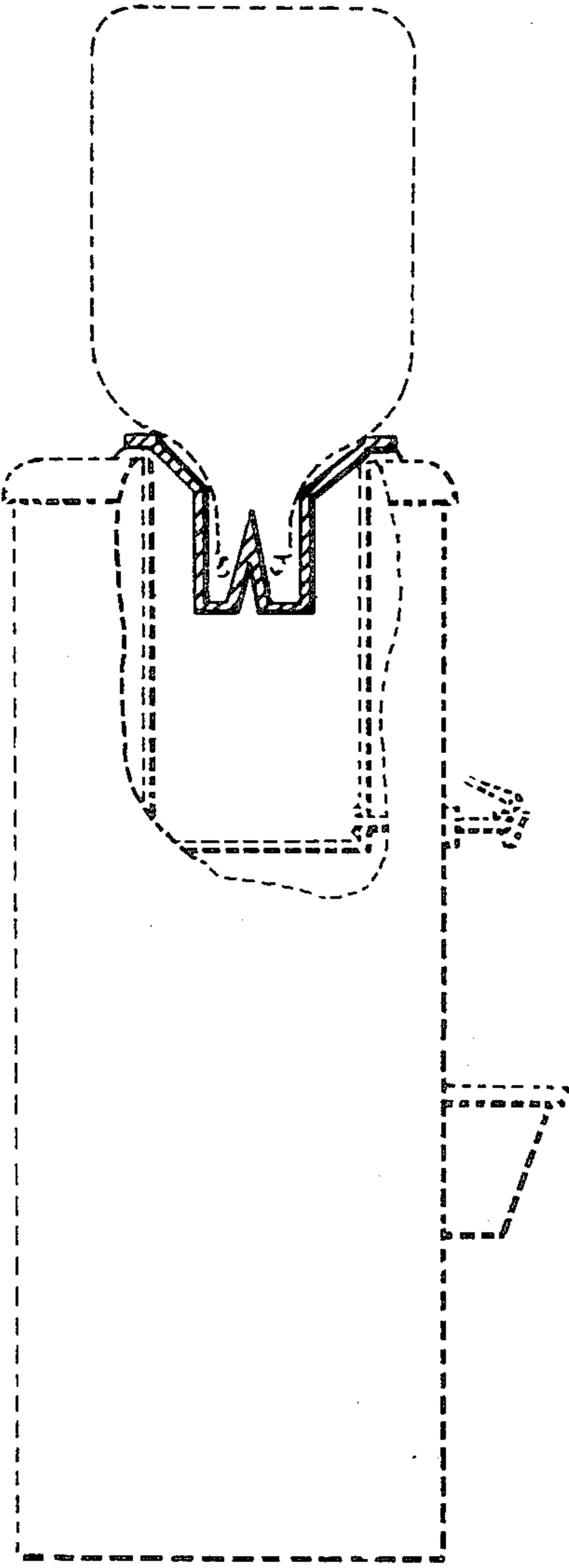


Fig. 1

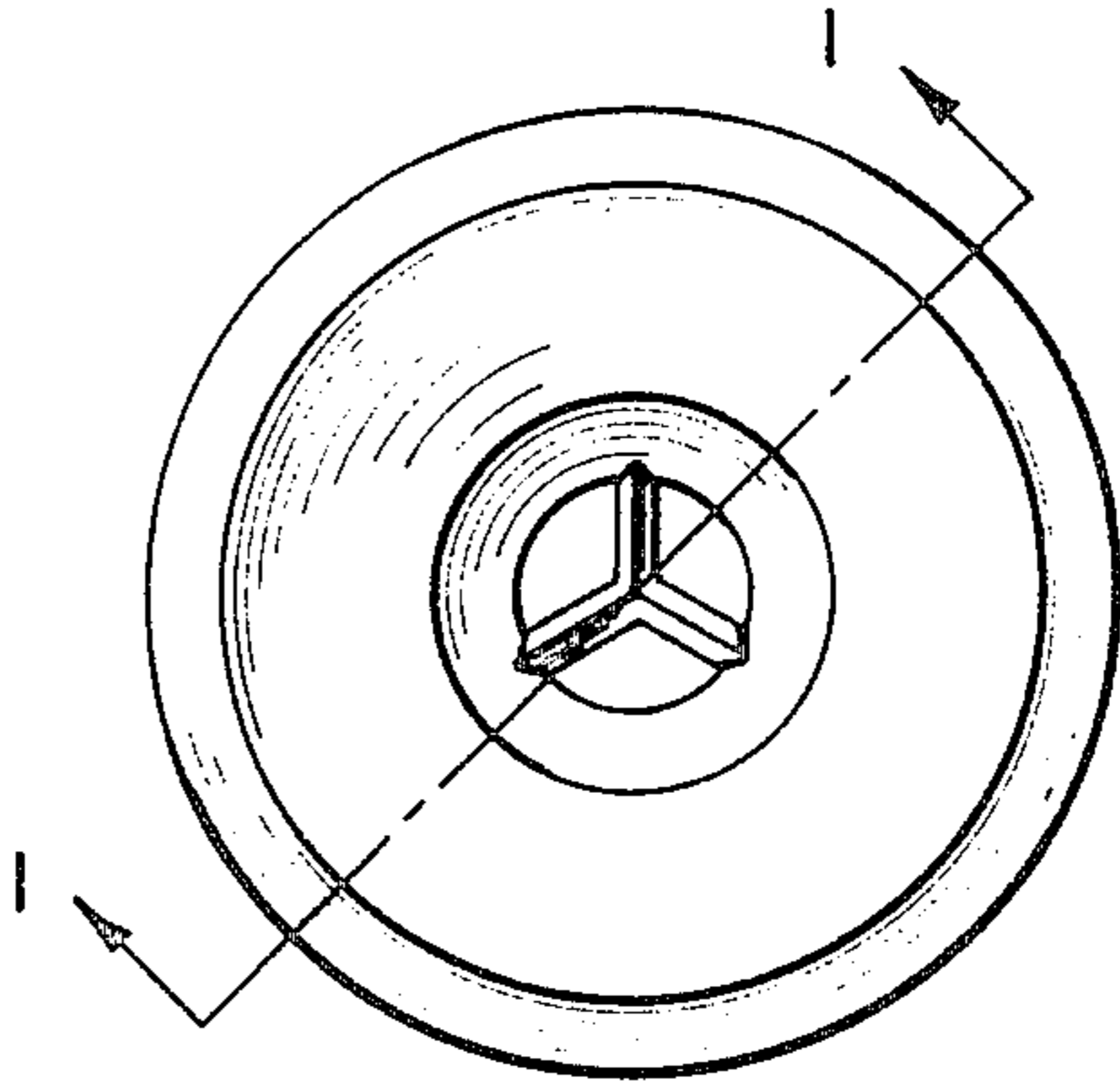


Fig. 2

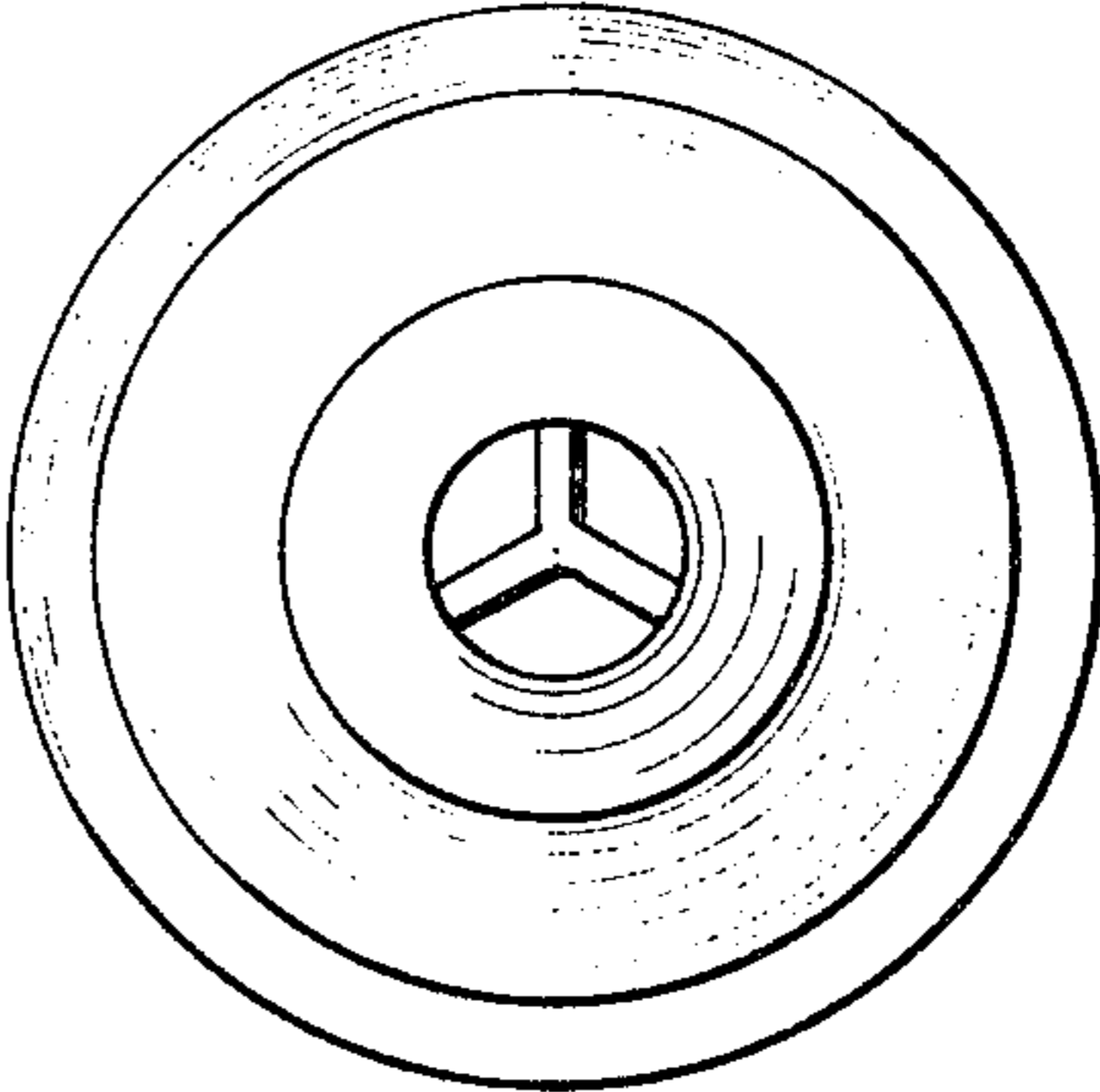


Fig. 3

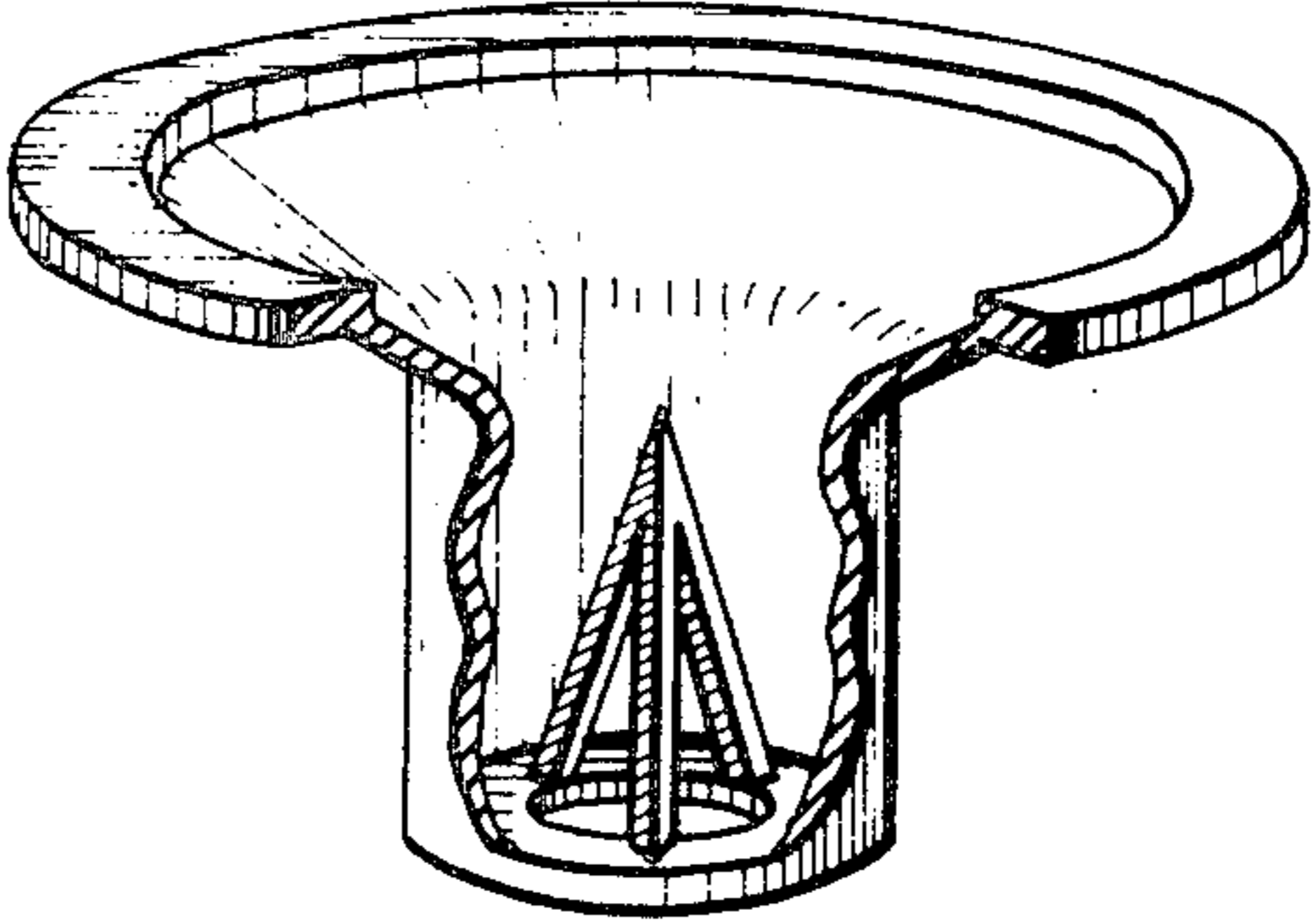


Fig. 4