

[54] TORTILLA CHIP CUTTER

[75] Inventor: Keith D. Bloxham, Seattle, Wash.

[73] Assignee: Restaurant Equipment Mfg., Inc., Seattle, Wash.

[\*\*] Term: 14 Years

[21] Appl. No.: 490,788

[22] Filed: May 2, 1983

[52] U.S. Cl. .... D7/43; D7/381; D15/123

[58] Field of Search ..... D7/43, 106, 381, 49; 30/114; 83/431, 570; D15/123

[56] References Cited

U.S. PATENT DOCUMENTS

|            |         |        |       |         |
|------------|---------|--------|-------|---------|
| D. 255,412 | 6/1980  | Bereza | ..... | D7/43   |
| D. 266,566 | 10/1982 | Schmid | ..... | D15/123 |
| D. 274,624 | 7/1984  | DiFede | ..... | D15/123 |
| 2,906,020  | 9/1959  | Welsh  | ..... | D7/43 X |

3,156,971 11/1964 Shazor, Jr. .... 100/288 X

FOREIGN PATENT DOCUMENTS

608748 9/1948 United Kingdom ..... 83/431

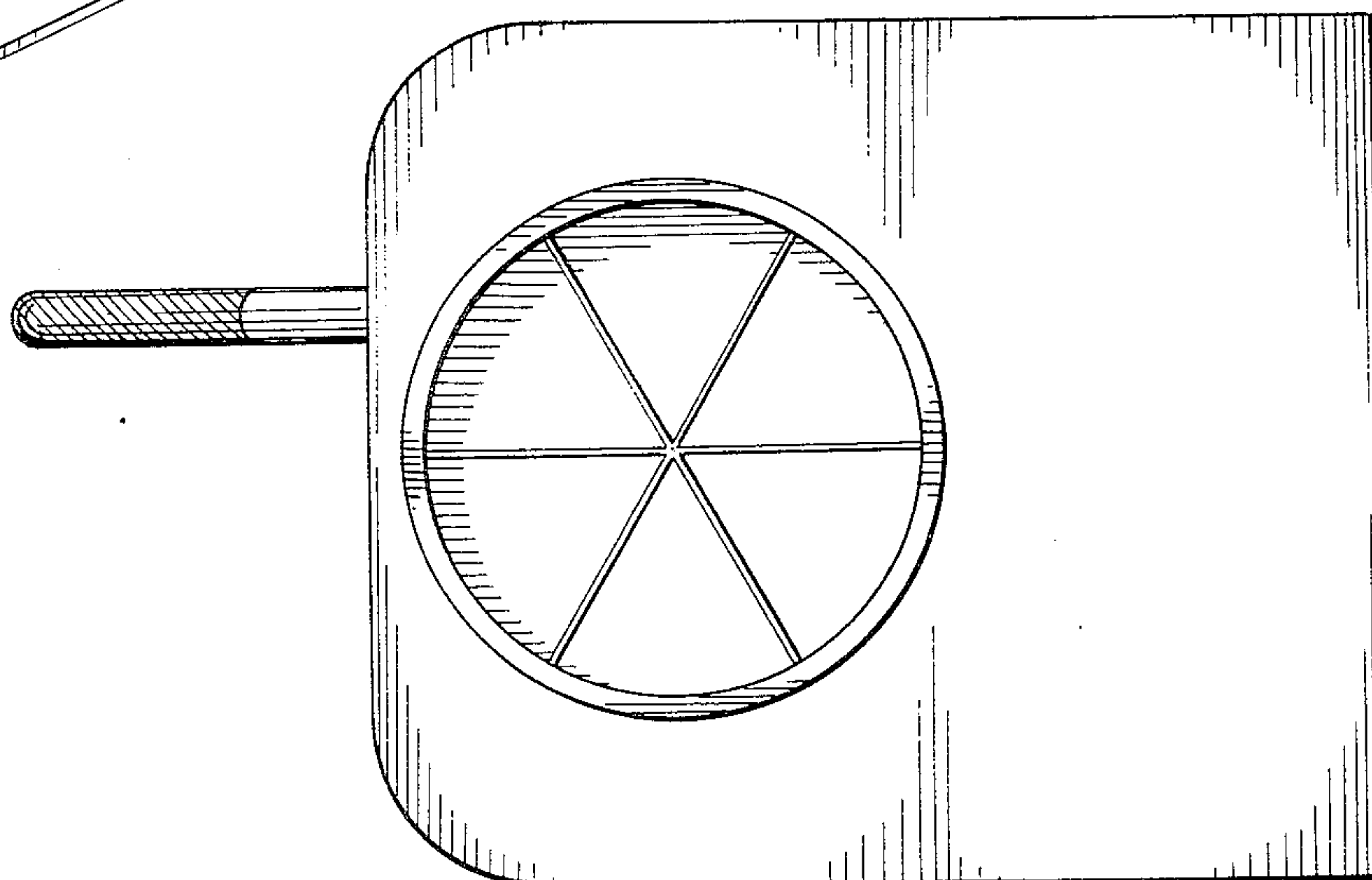
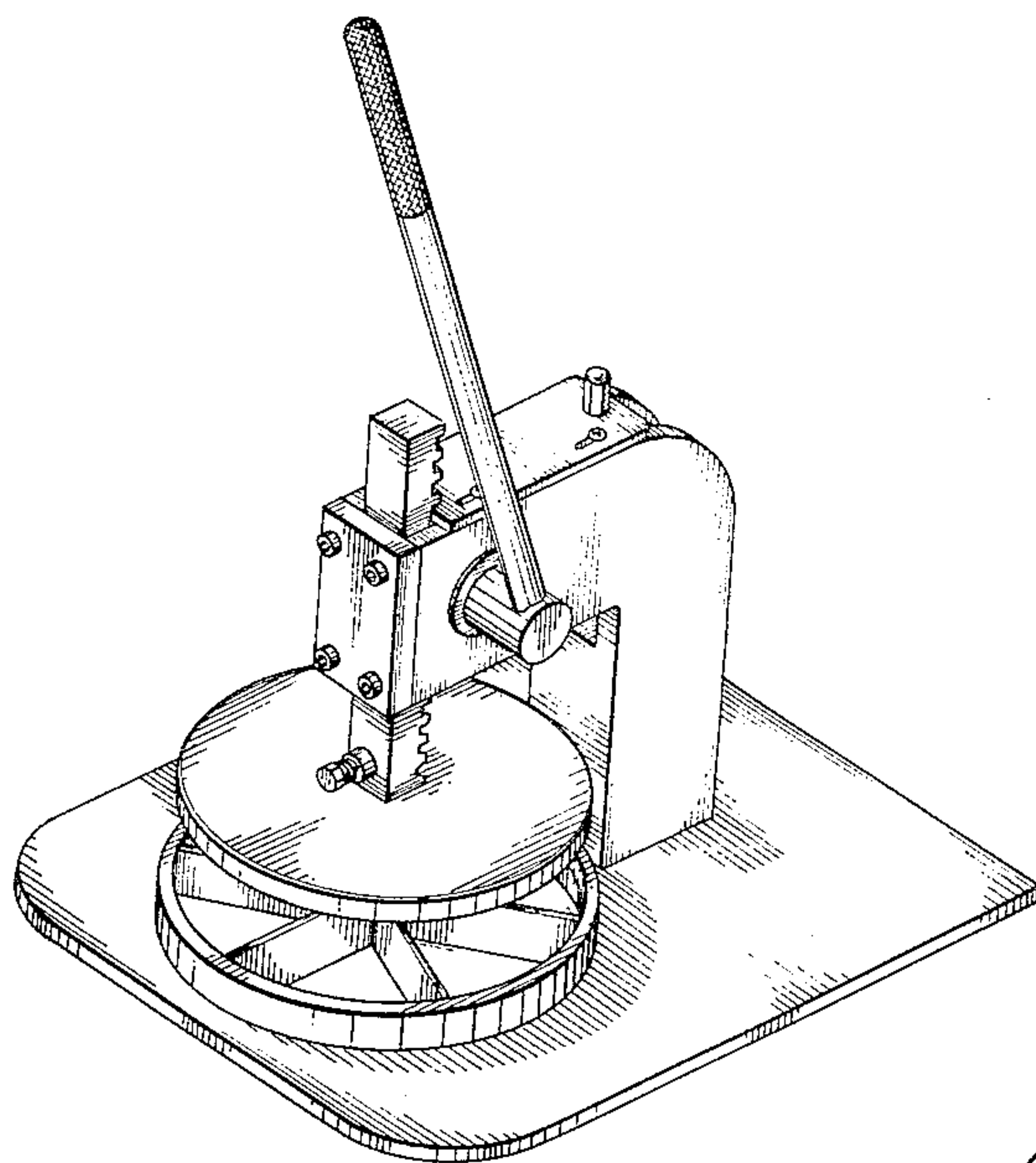
Primary Examiner—Winifred E. Herrmann  
Attorney, Agent, or Firm—Christensen, O'Connor,  
Johnson & Kindness

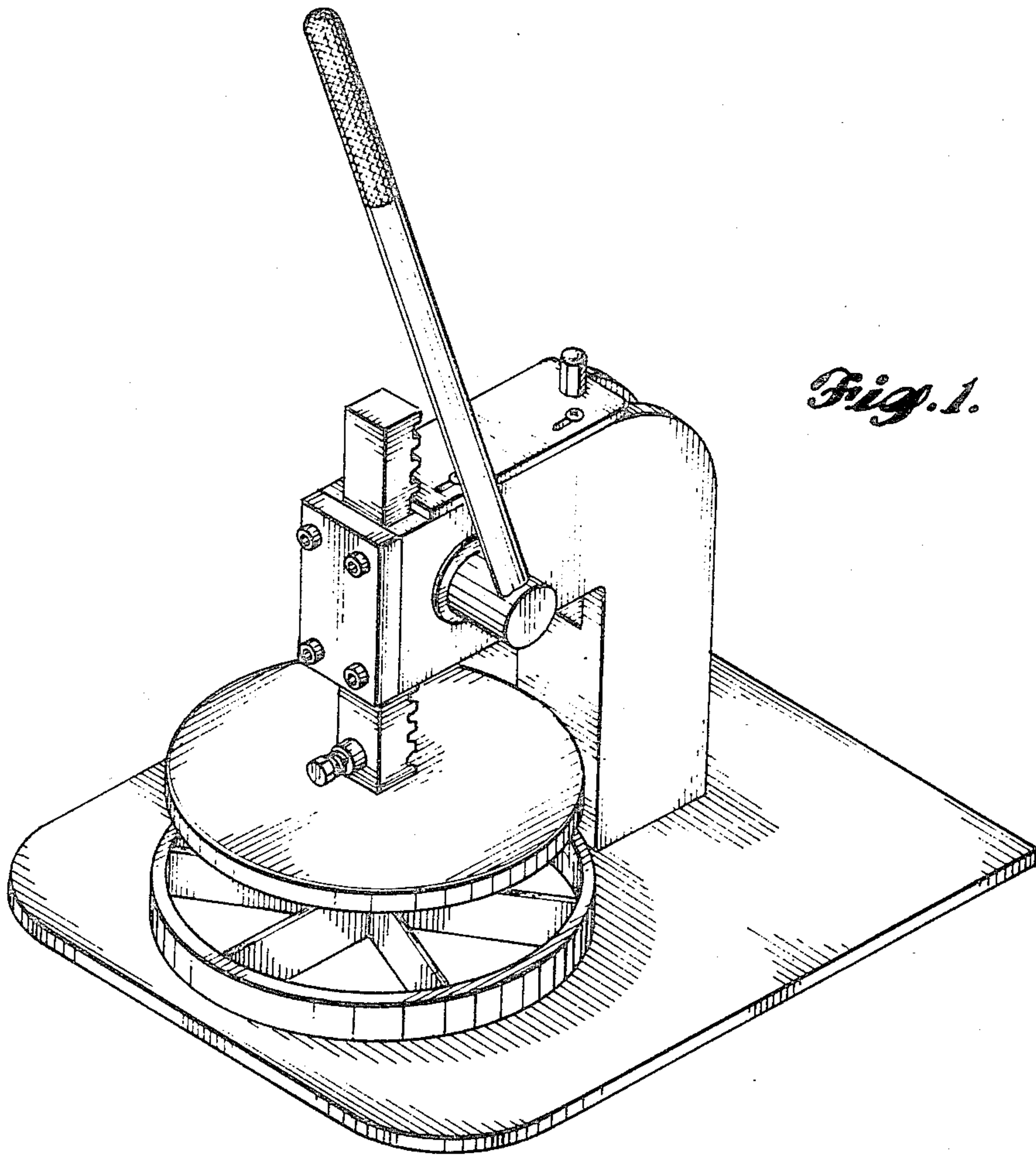
[57] CLAIM

The ornamental design for a tortilla chip cutter, as shown.

DESCRIPTION

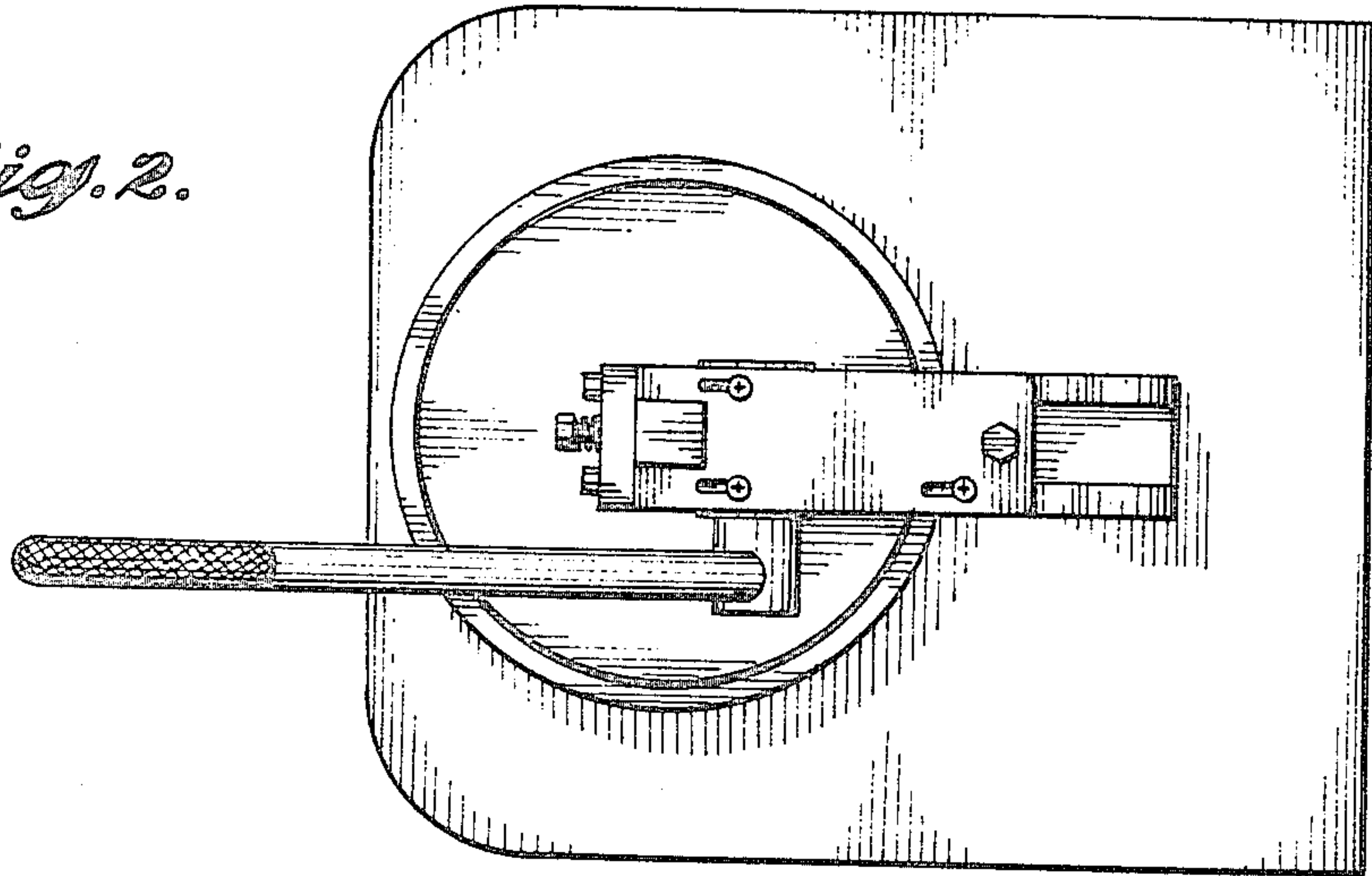
FIG. 1 is a top perspective view from one side of a tortilla chip cutter showing my new design;  
FIG. 2 is a top view thereof;  
FIG. 3 is a side view thereof from the side opposite that appearing in FIG. 1;  
FIG. 4 is a rear view thereof;  
FIG. 5 is a front view thereof; and  
FIG. 6 is a bottom view thereof.

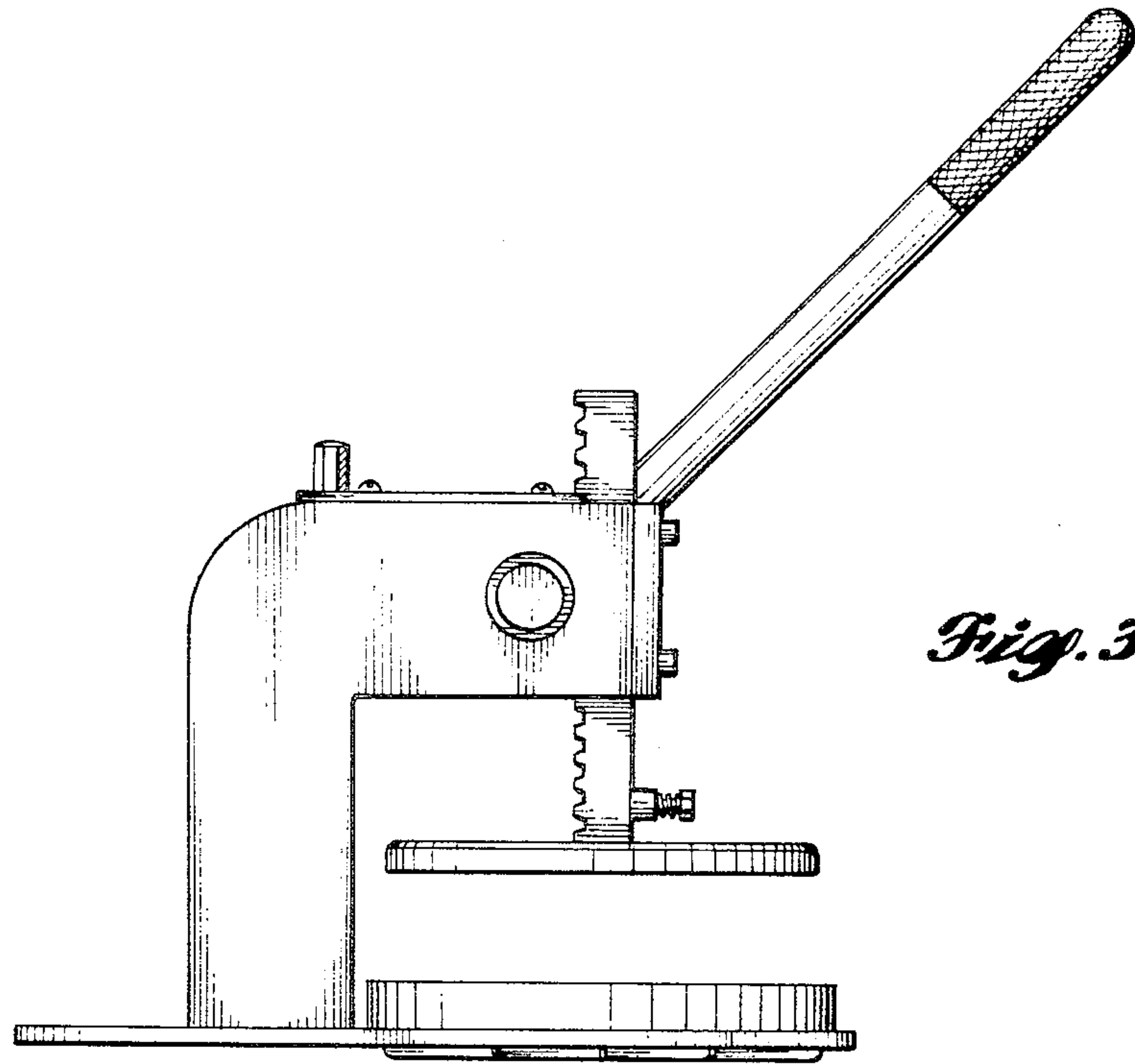




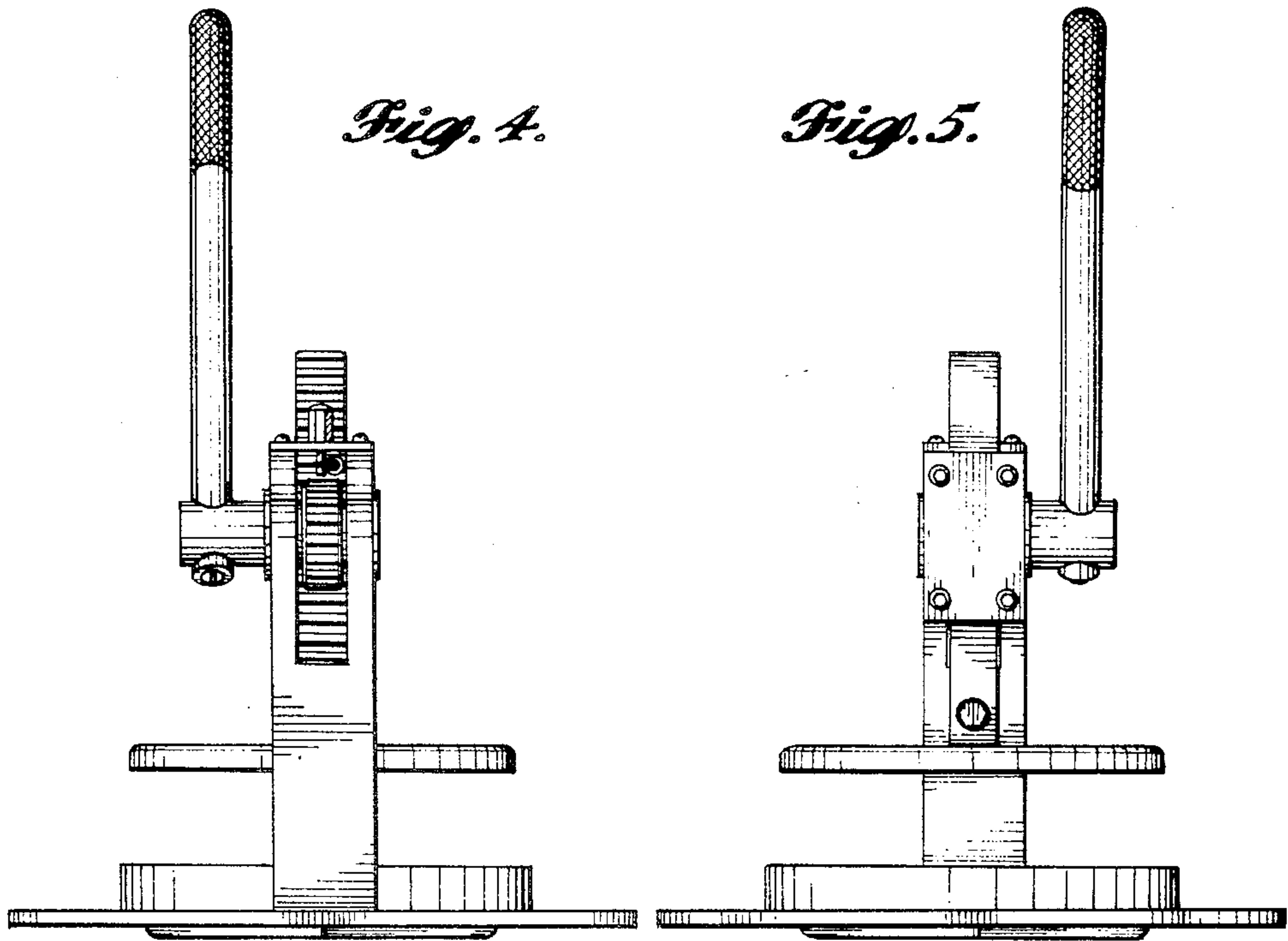
*Fig. 1.*

*Fig. 2.*



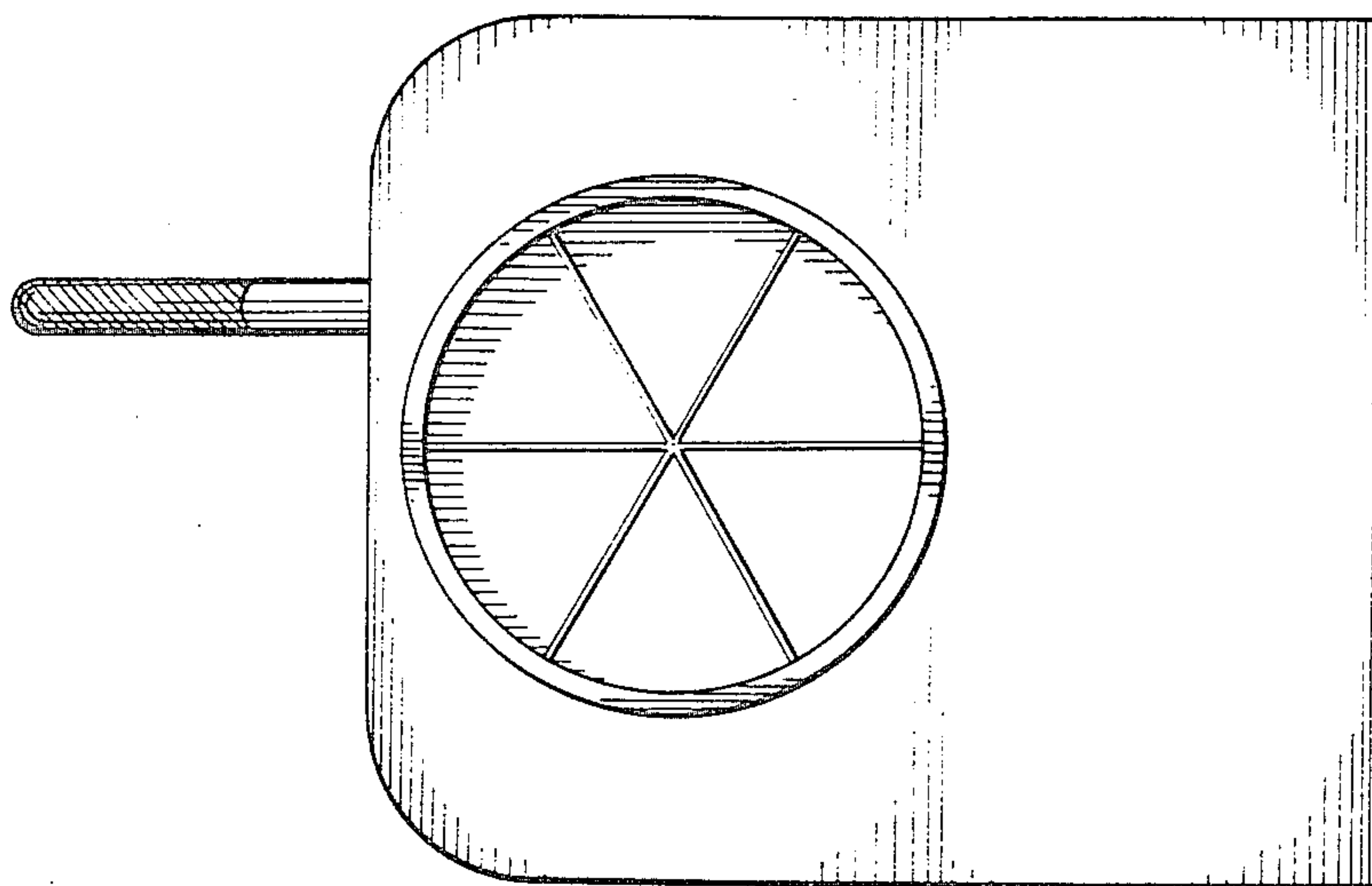


*Fig. 3.*



*Fig. 4.*

*Fig. 5.*



*Fig. 6.*