

[54] **UPHOLSTERED CHAIR**

[75] **Inventor: Gerd Lange, Kapsweyer, Fed. Rep. of Germany**

[73] **Assignee: Drabert Sohne Minden (Westf.), Minden, Fed. Rep. of Germany**

[\*\*] **Term: 14 Years**

[21] **Appl. No.: 380,305**

[22] **Filed: May 20, 1982**

[30] **Foreign Application Priority Data**

Dec. 4, 1981 [DE] Fed. Rep. of Germany ... 11 MR 767

[52] **U.S. Cl. .... D6/366**

[58] **Field of Search .... D6/30, 31**

[56] **References Cited**

**U.S. PATENT DOCUMENTS**

- D. 240,780 8/1976 Dittert ..... D6/31 X
- D. 257,917 1/1981 Ball ..... D6/31
- D. 259,000 4/1981 Vogtherr ..... D6/31

D. 274,868 7/1984 Lopez-Benitez ..... D6/366

*Primary Examiner*—Bruce W. Dunkins  
*Attorney, Agent, or Firm*—Pollock, Vande Sande & Priddy

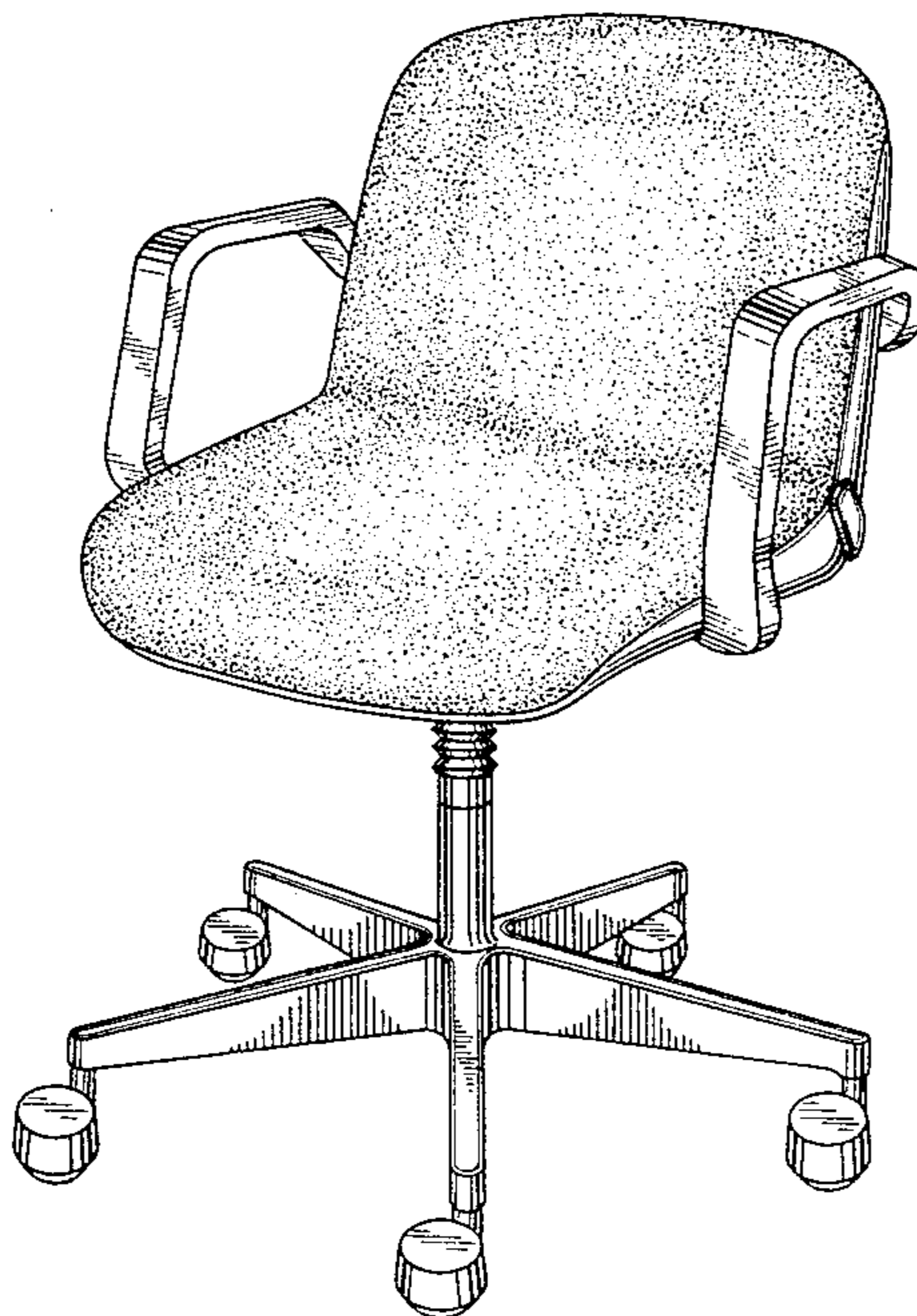
[57] **CLAIM**

The ornamental design for an upholstered chair, as shown and described.

**DESCRIPTION**

FIG. 1 is a front perspective view taken from the left side of an upholstered chair showing my new design; FIG. 2 is a side perspective view; FIG. 3 is a rear perspective view taken from the left side; FIG. 4 is a front perspective view; FIG. 5 is a rear perspective view.

The design is characterized by the ornamental seat and backrest cushions and the essentially right-angled side arm members in combination with the bridging transverse trim element disposed between the seat and backrest cushions, all as best illustrated in FIGS. 2 and 3.



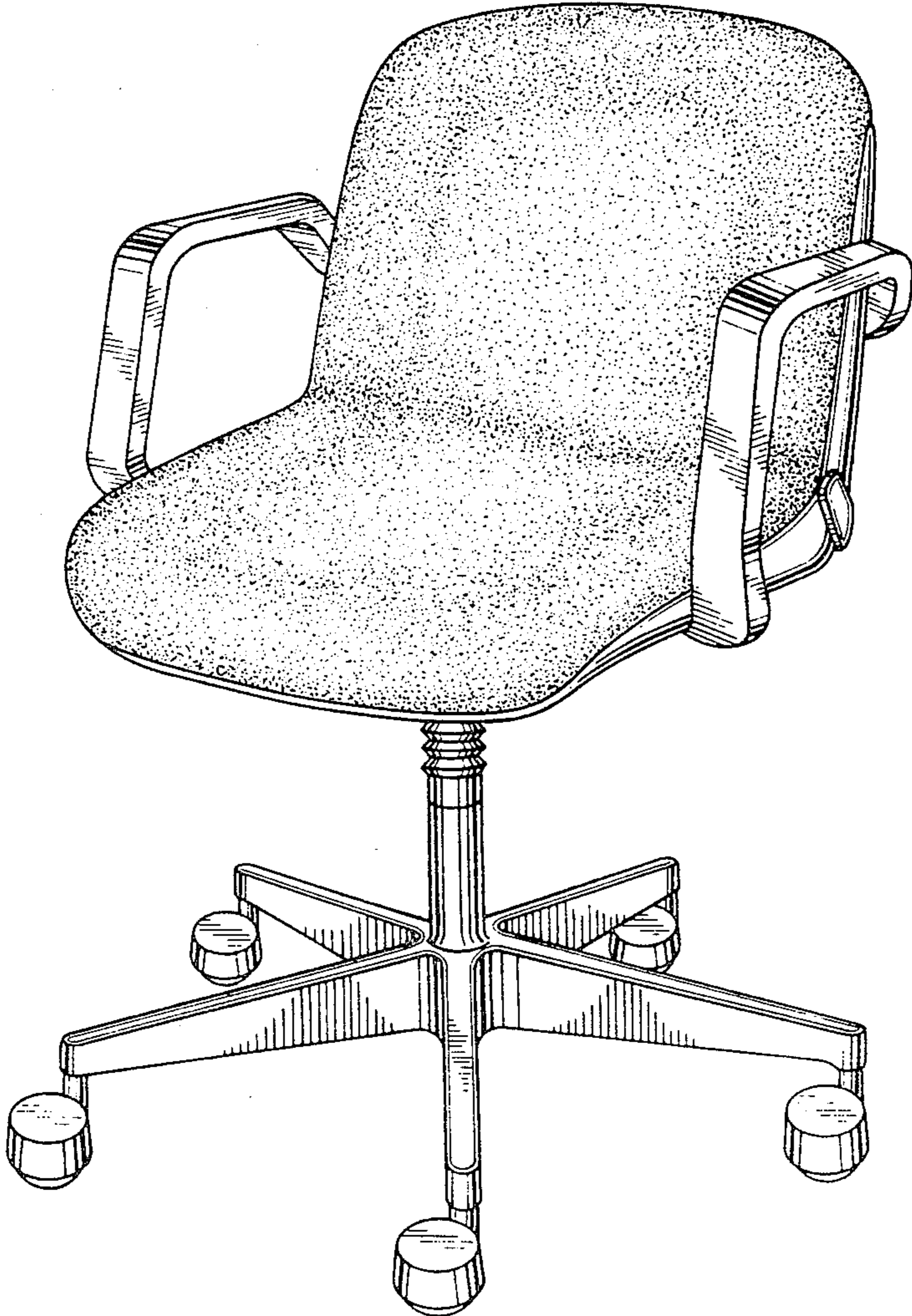


FIG. 1

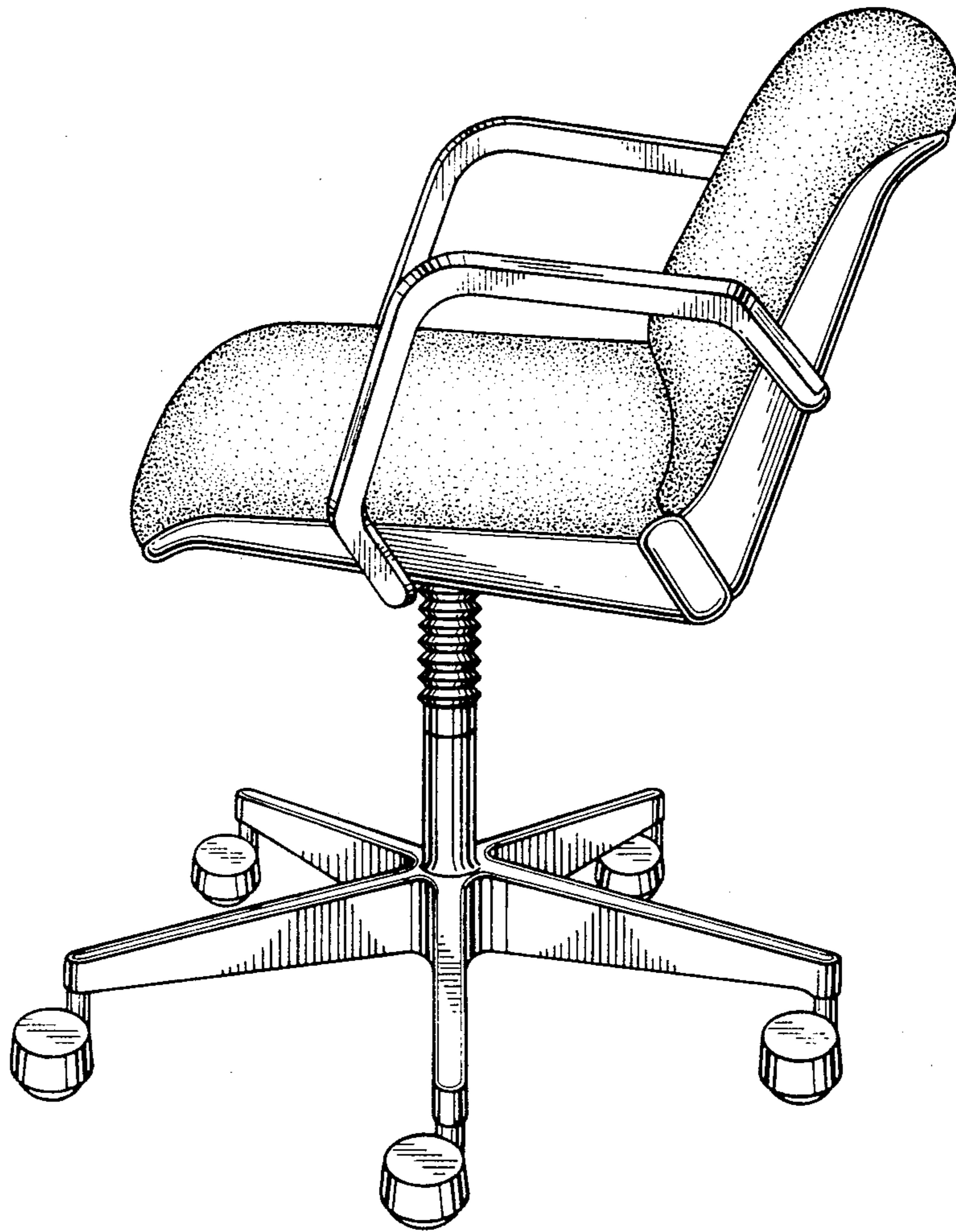


FIG. 2



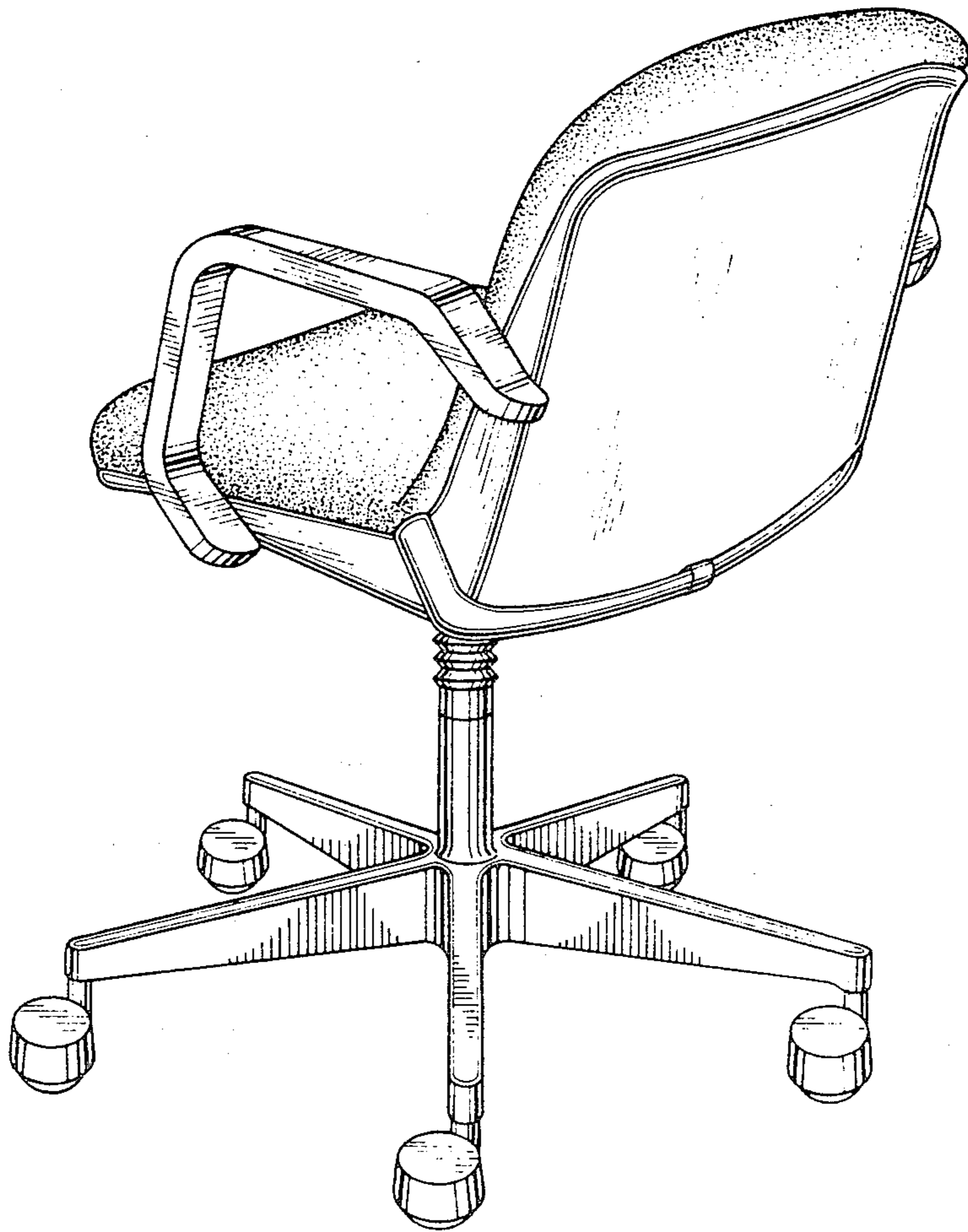


FIG. 3

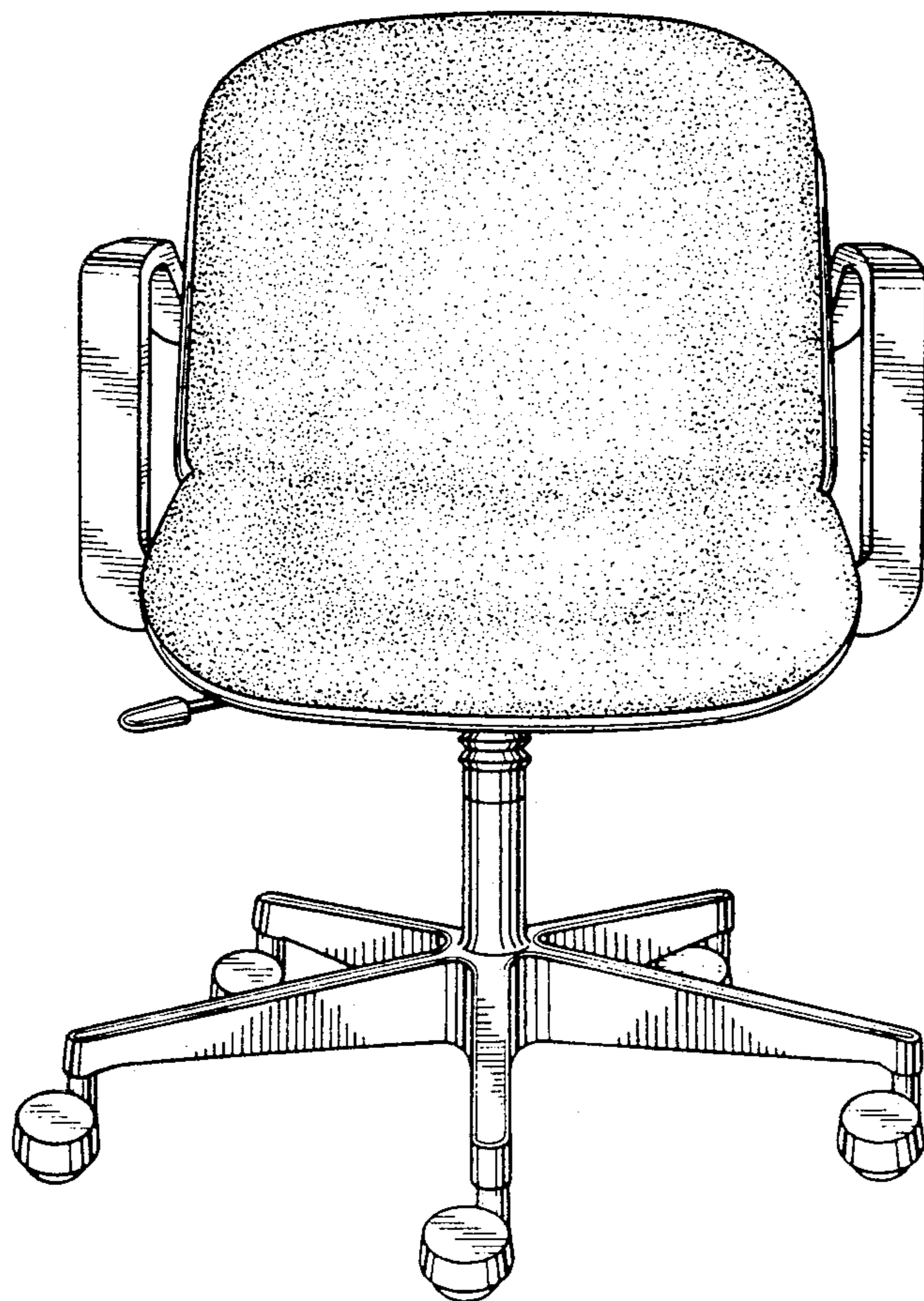


FIG. 4

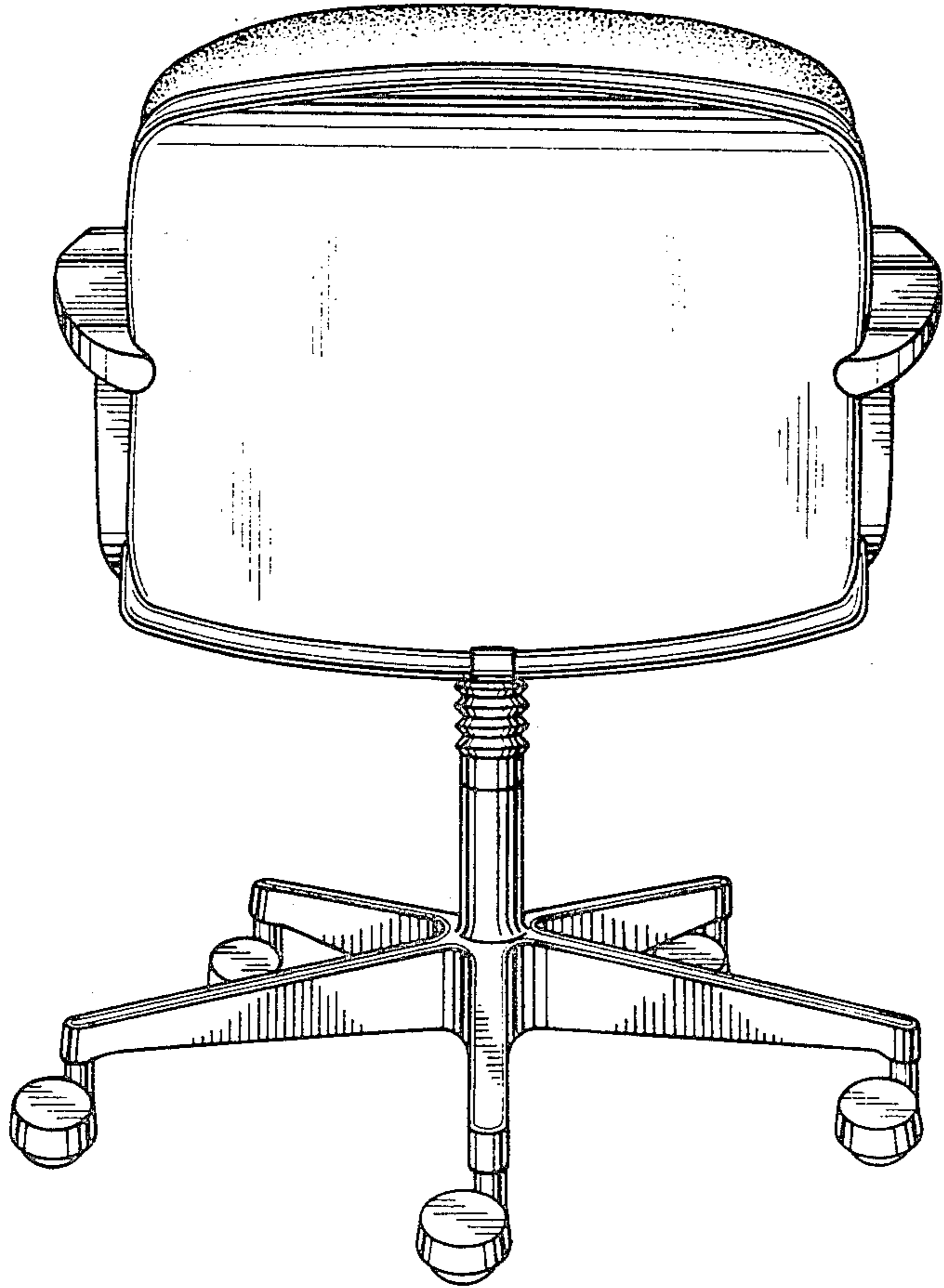


FIG. 5