

[54] BELT MOUNTED DOLL CARRIER  
[75] Inventors: John Feroce, Marion, Mass.; Maurice Lallier, Pawtucket, R.I.; George Eden, Boston, Mass.

D. 263,987 4/1982 Milliman ..... D22/14  
D. 266,544 10/1982 Crutchfield ..... D3/72  
1,648,565 11/1927 Primley ..... 224/240 X  
3,297,218 1/1967 Cassidy et al. .... 224/241

[73] Assignee: Hasbro Industries, Inc., Pawtucket, R.I.

[\*\*] Term: 14 Years

[21] Appl. No.: 477,419

[22] Filed: Mar. 21, 1983

[52] U.S. Cl. .... D2/400

[58] Field of Search ..... D2/400; D3/72; D22/14, D22/13; 224/240, 241, 252, 253, 908, 909

[56] References Cited

U.S. PATENT DOCUMENTS

D. 214,984 8/1969 Woolfolk ..... D2/400  
D. 217,080 3/1970 Fairchild ..... D3/72  
D. 237,611 11/1975 Minneman ..... D22/14  
D. 245,818 9/1977 Persson ..... D2/400

OTHER PUBLICATIONS

Montgomery Ward 1980 p. 466; "Darth Vader" Collector's Case, bottom left on page.

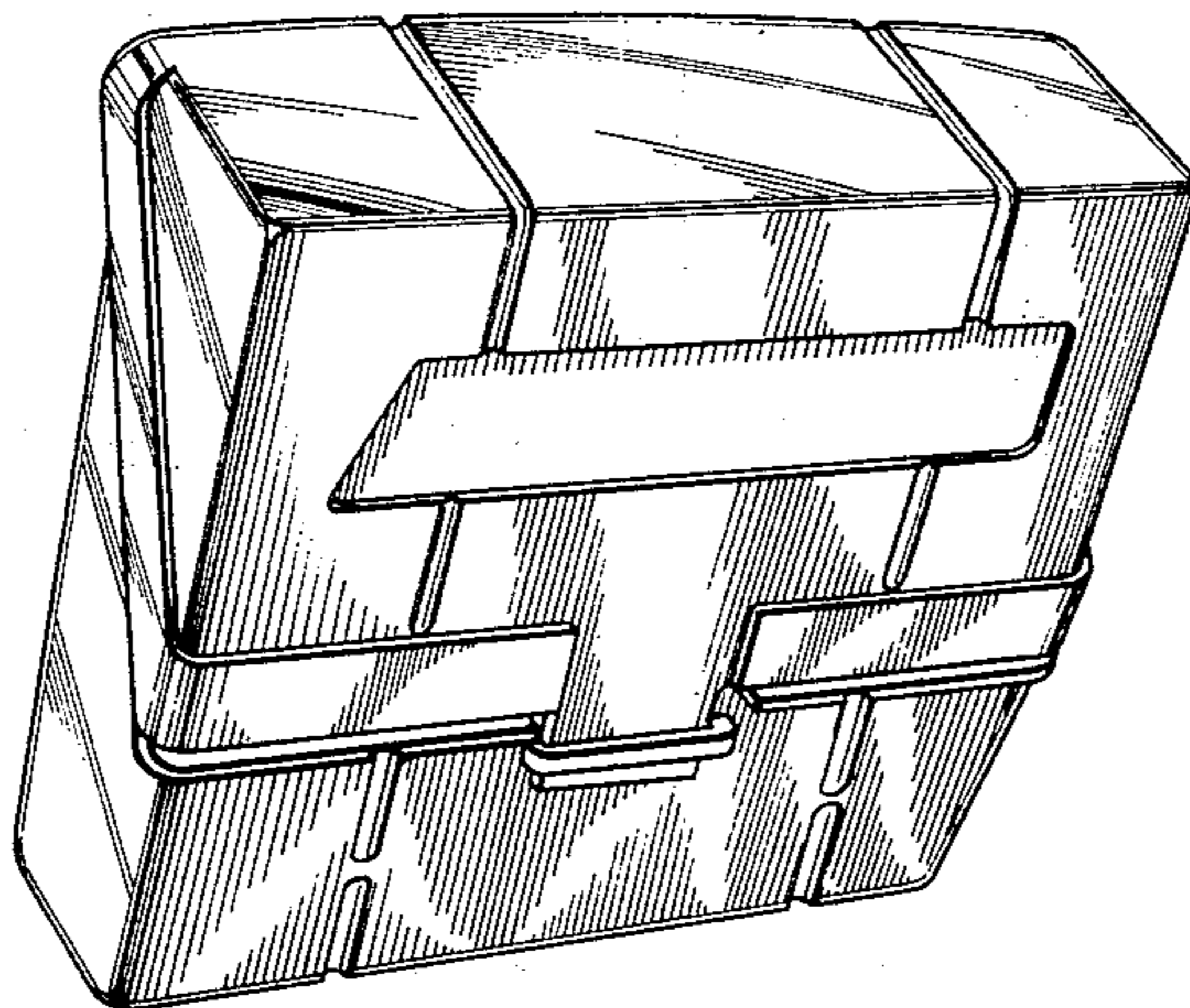
Primary Examiner—Carmen H. Vales  
Attorney, Agent, or Firm—Salter & Michaelson

[57] CLAIM

The ornamental design for a belt mounted doll carrier, substantially as shown.

DESCRIPTION

FIG. 1 is a perspective view of a belt mounted doll carrier showing our new design; FIG. 2 is a top plan view thereof; FIG. 3 is a bottom plan view thereof; FIG. 4 is a rear elevational view thereof; and FIG. 5 is a side elevational view thereof.



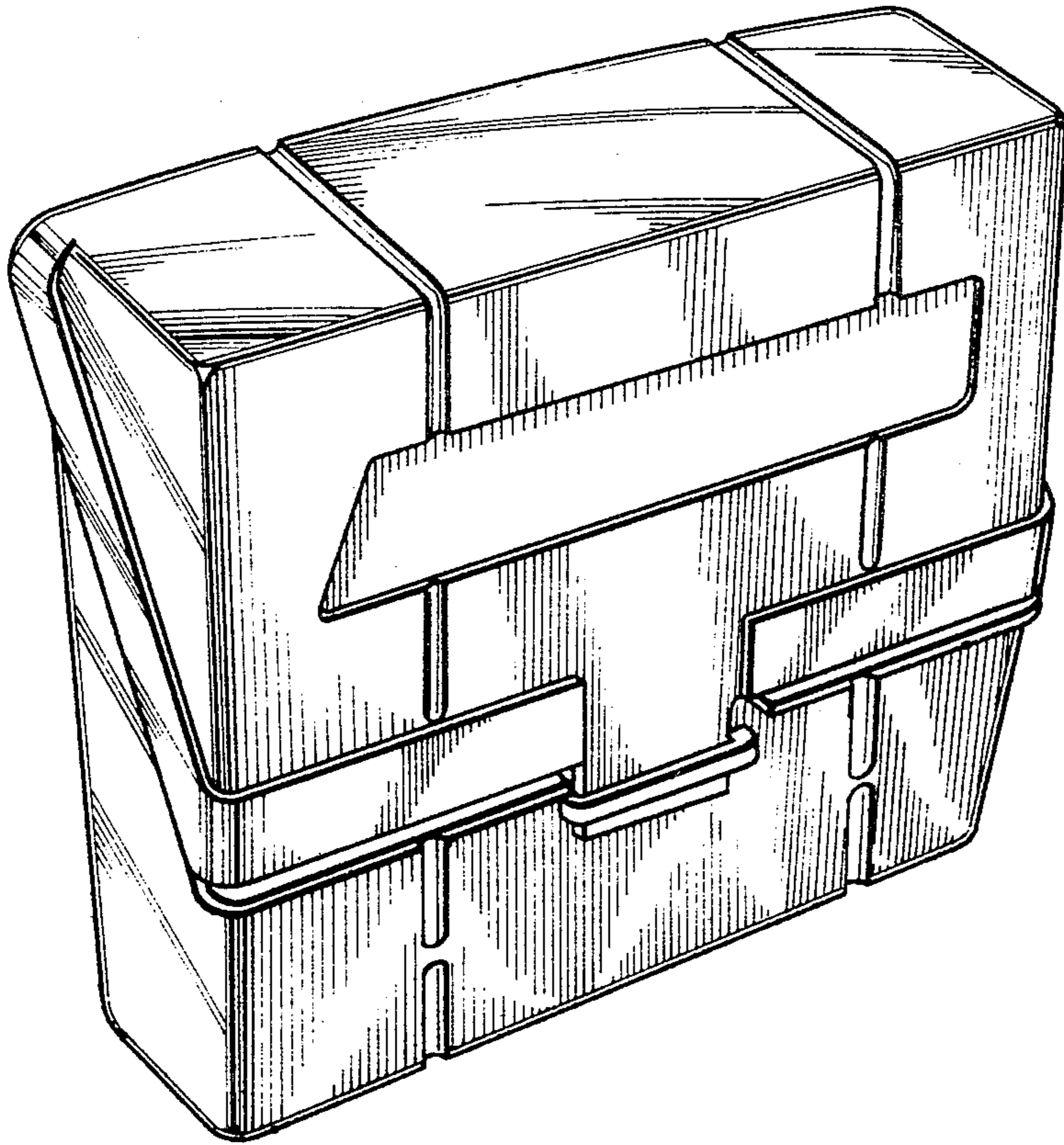


FIG. 1

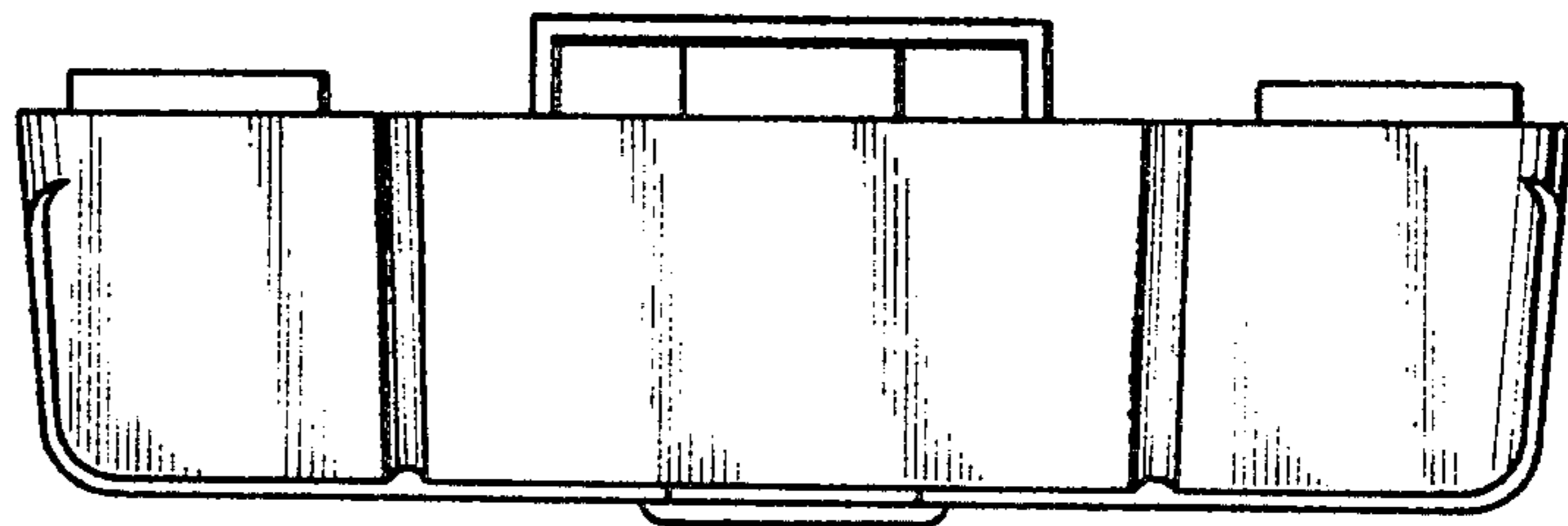


FIG. 2

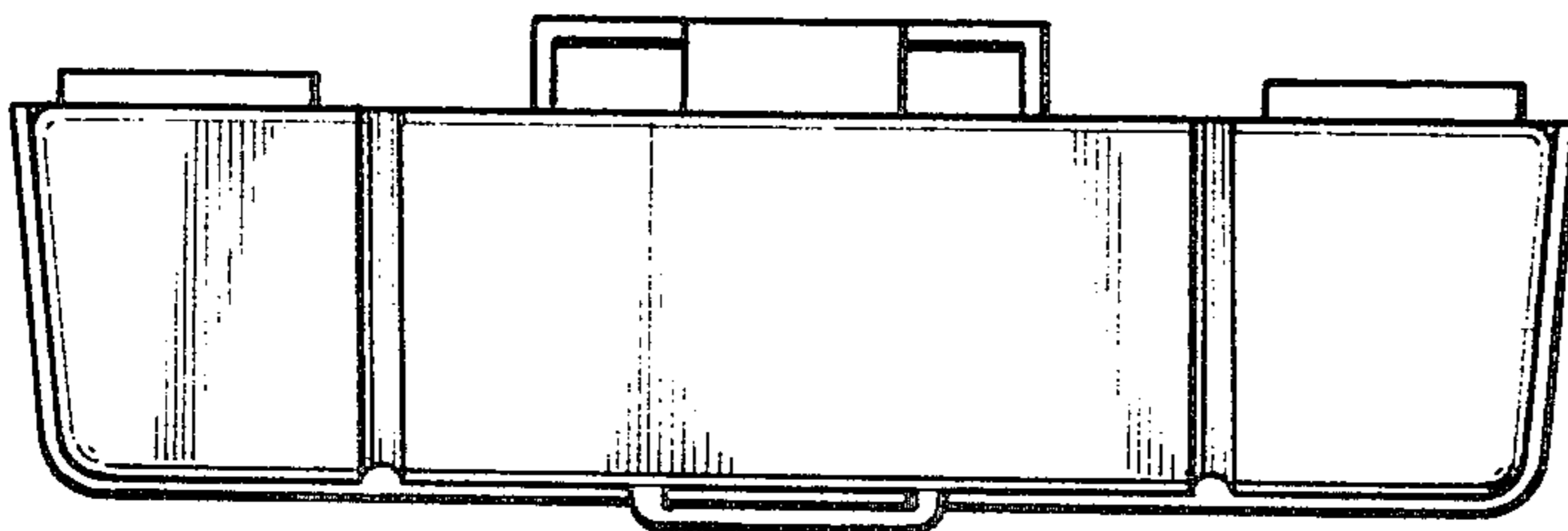


FIG. 3

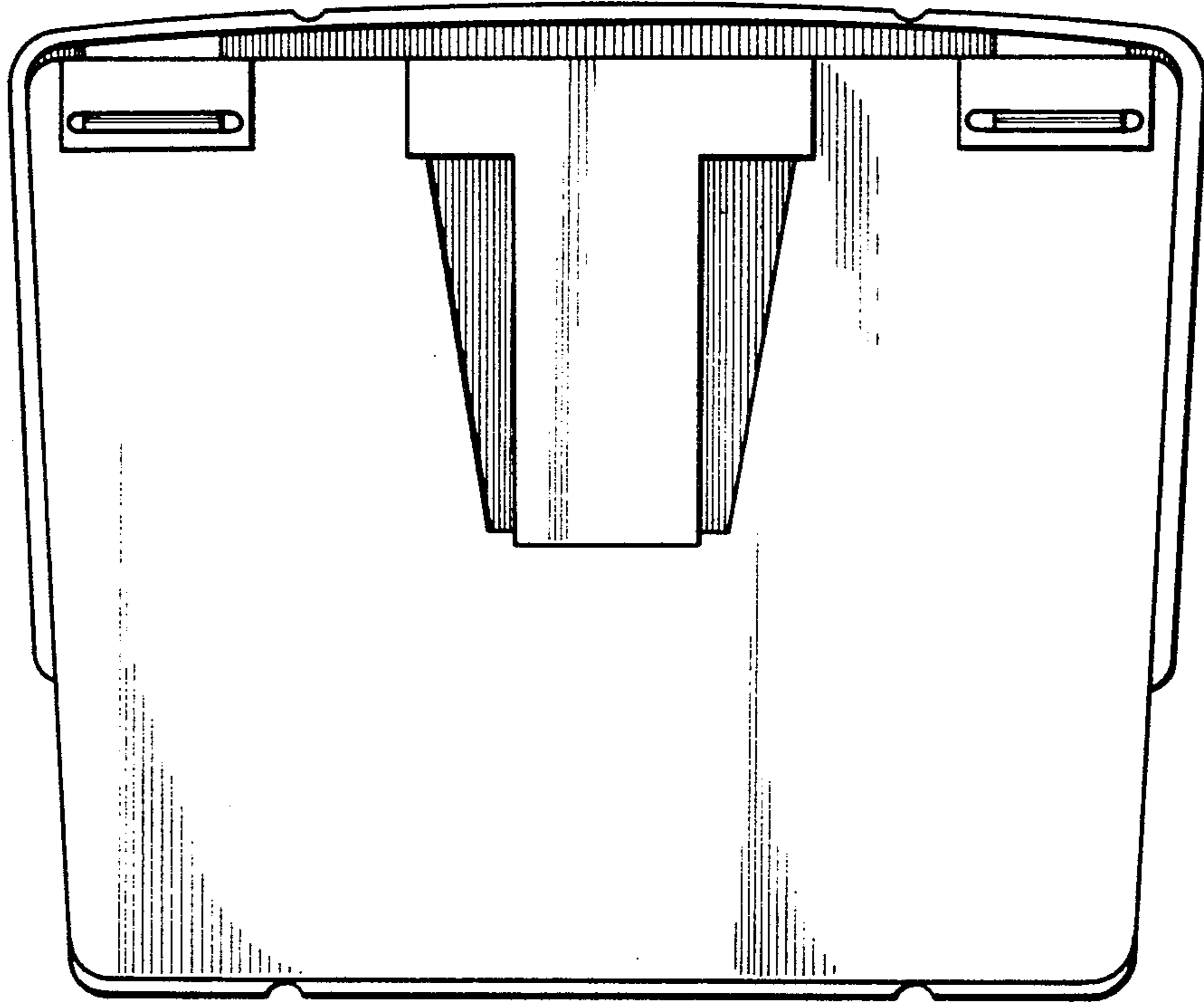


FIG. 4

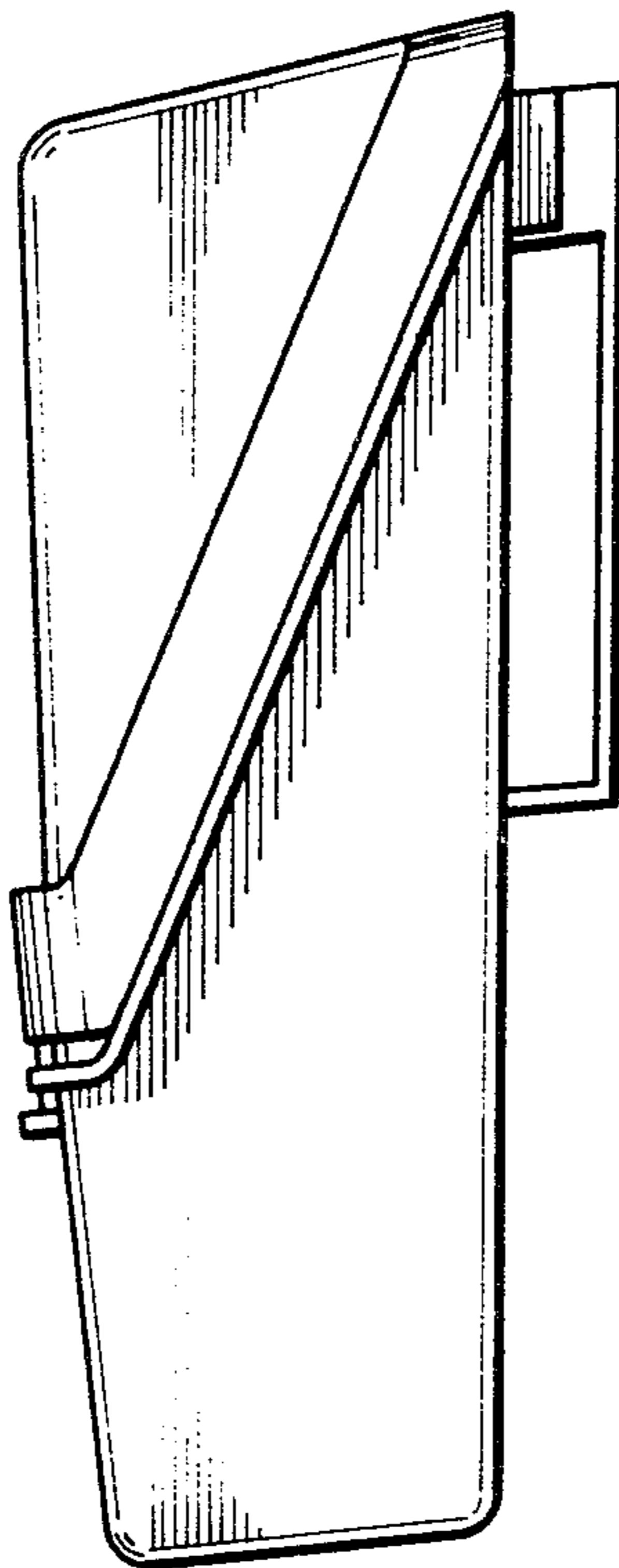


FIG. 5