

[54] CARRYING CONTAINER FOR VEHICULAR MAINTENANCE PRODUCTS

[76] Inventor: Kevin F. Hammeke, 404 N. Pinon, Olathe, Kans. 66061

[\*\*] Term: 14 Years

[21] Appl. No.: 420,872

[22] Filed: Sep. 21, 1982

[52] U.S. Cl. .... D34/45; D3/74; D34/46

[58] Field of Search ..... D3/30.1, 74, 36; D34/40-46; 312/DIG. 33

[56] References Cited

U.S. PATENT DOCUMENTS

D. 235,488	6/1975	Swalm	.....	D34/44
D. 242,685	12/1976	Skidell	.....	D34/44
D. 268,130	3/1983	Easton	.....	D34/44

Primary Examiner—George P. Word

[57] CLAIM

The ornamental design for a carrying container for vehicular maintenance products, as shown and described.

DESCRIPTION

FIG. 1 is a top perspective view of a carrying container for vehicular maintenance products showing my new design;

FIG. 2 is a top plan view thereof;

FIG. 3 is a front elevational view thereof;

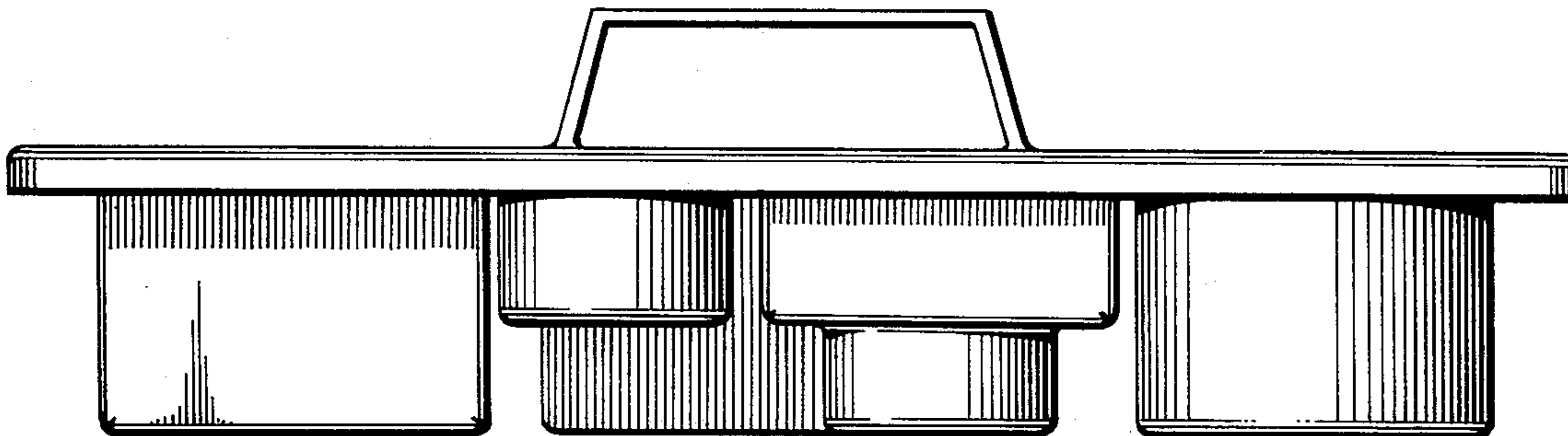
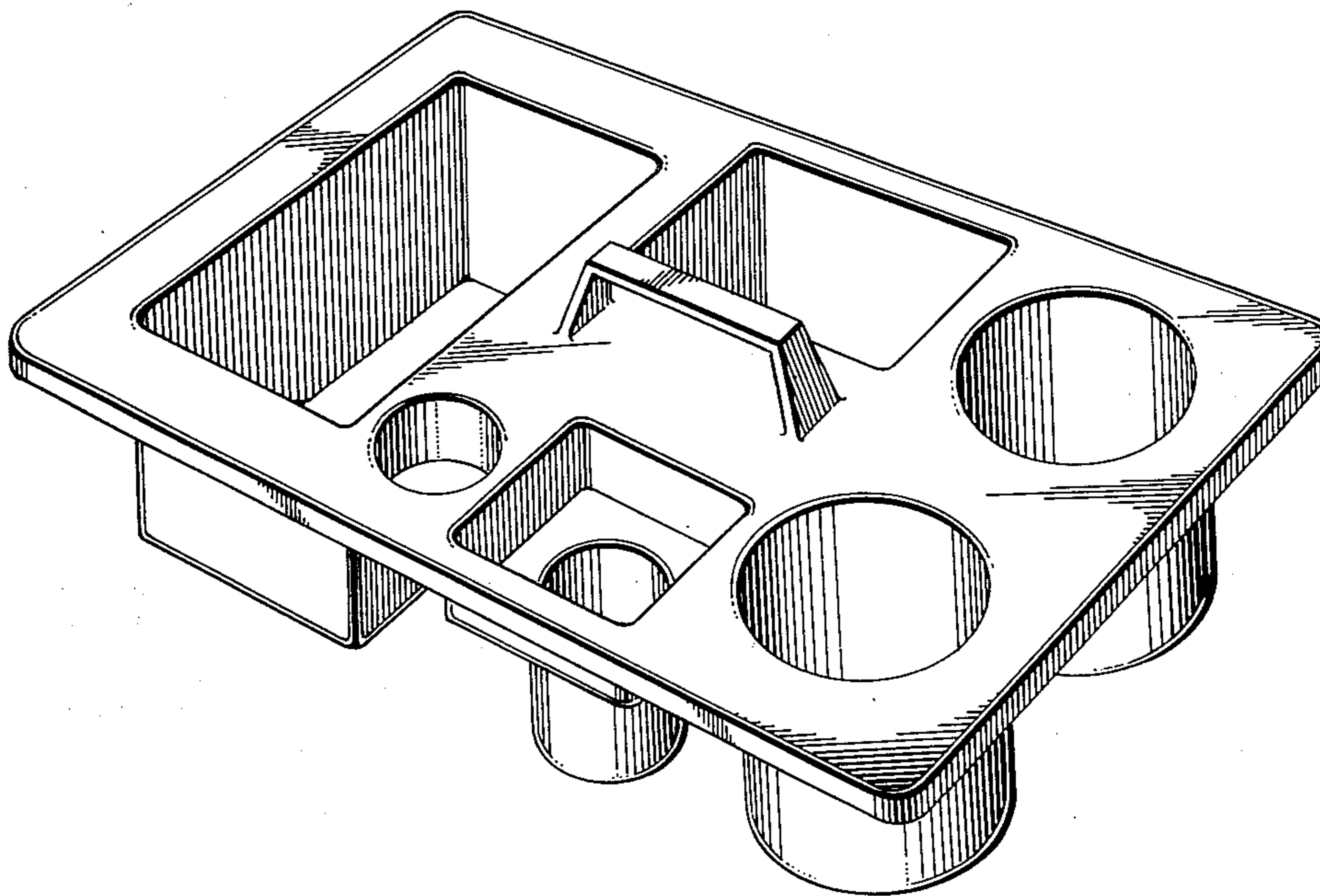
FIG. 4 is a right side elevational view thereof;

FIG. 5 is a rear elevational view thereof;

FIG. 6 is a left side elevational view thereof; and

FIG. 7 is a bottom plan view thereof.

The partially hidden rear compartments have been omitted on FIGS. 4 and 5 in the interest of clarity.



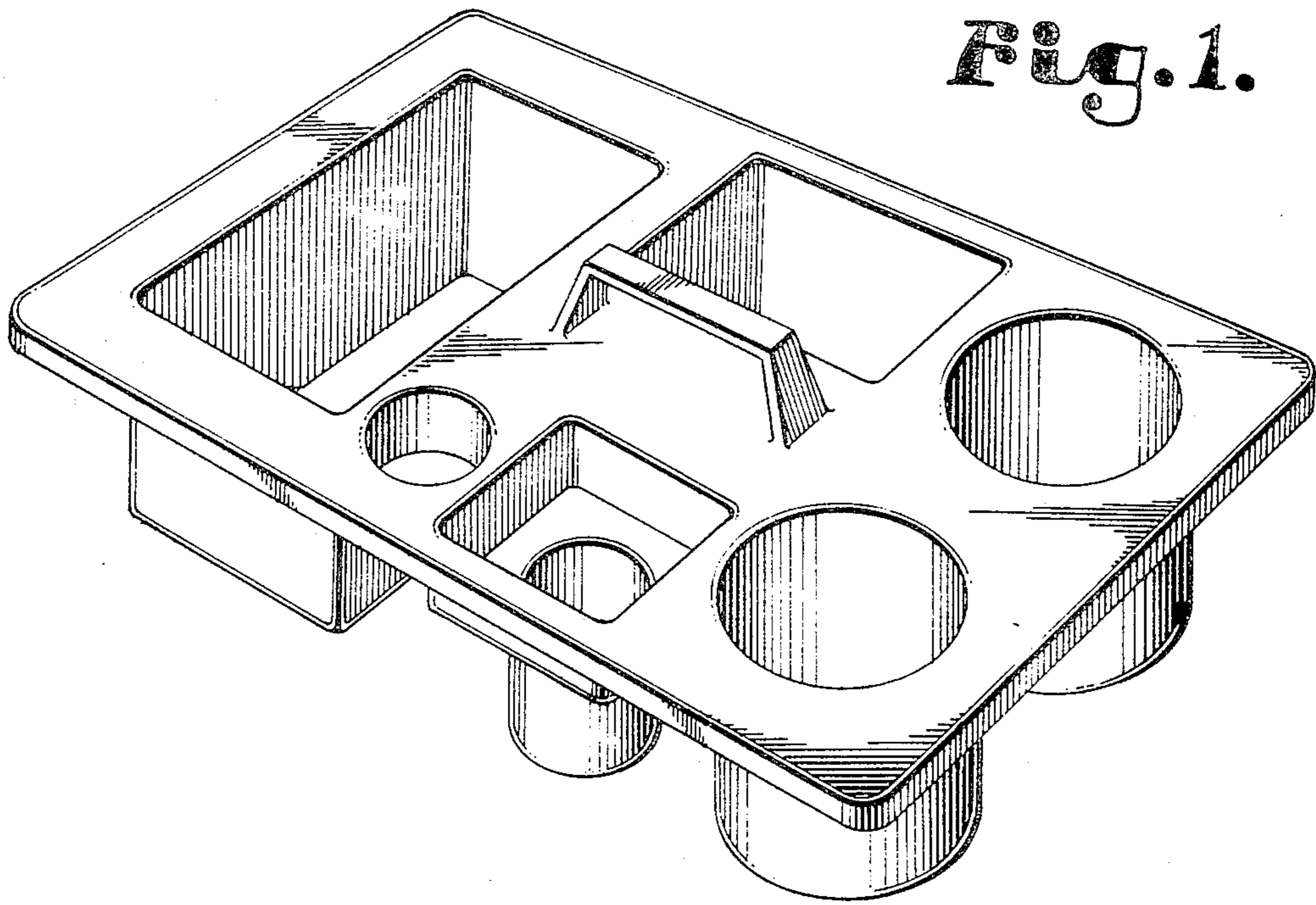
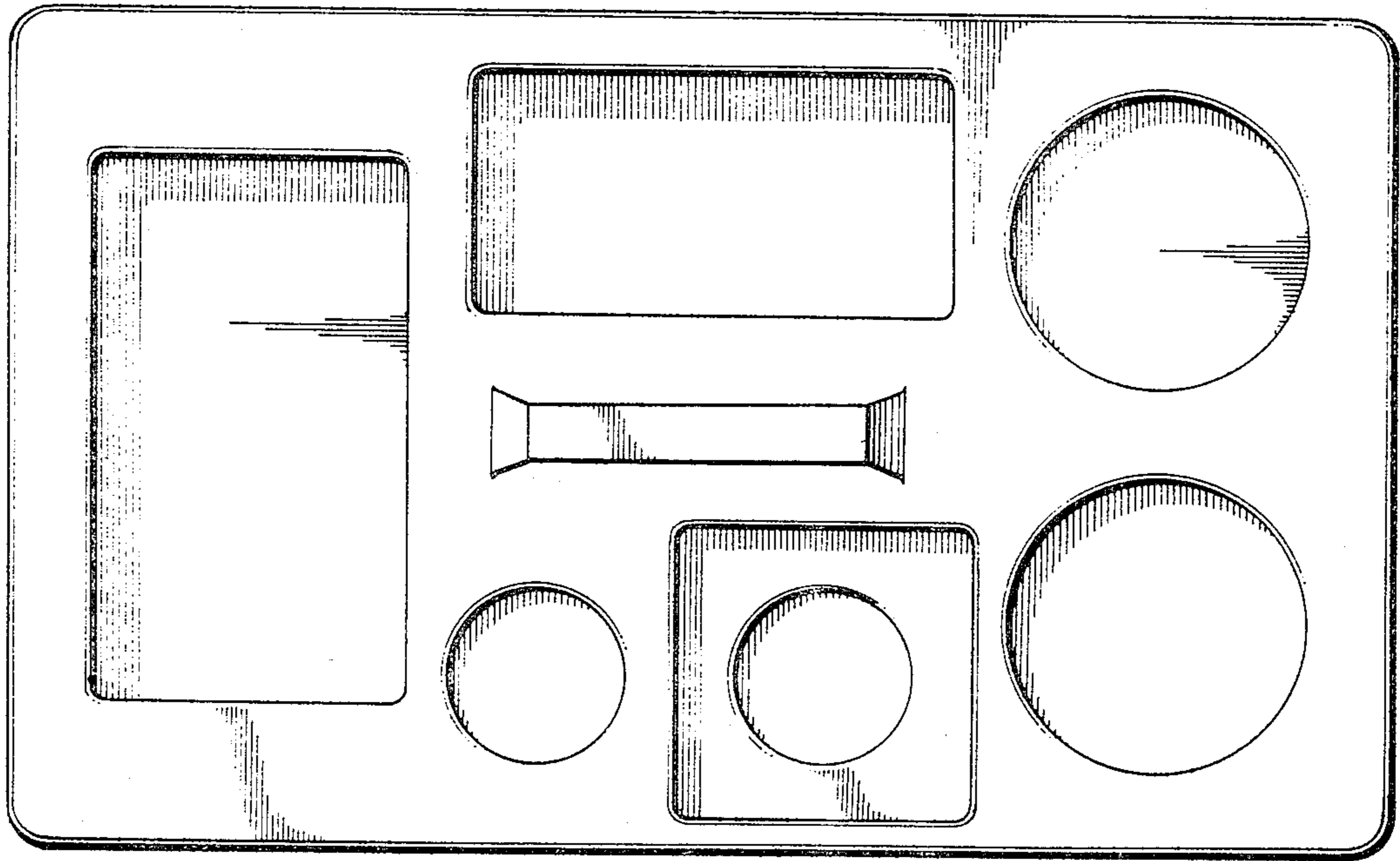
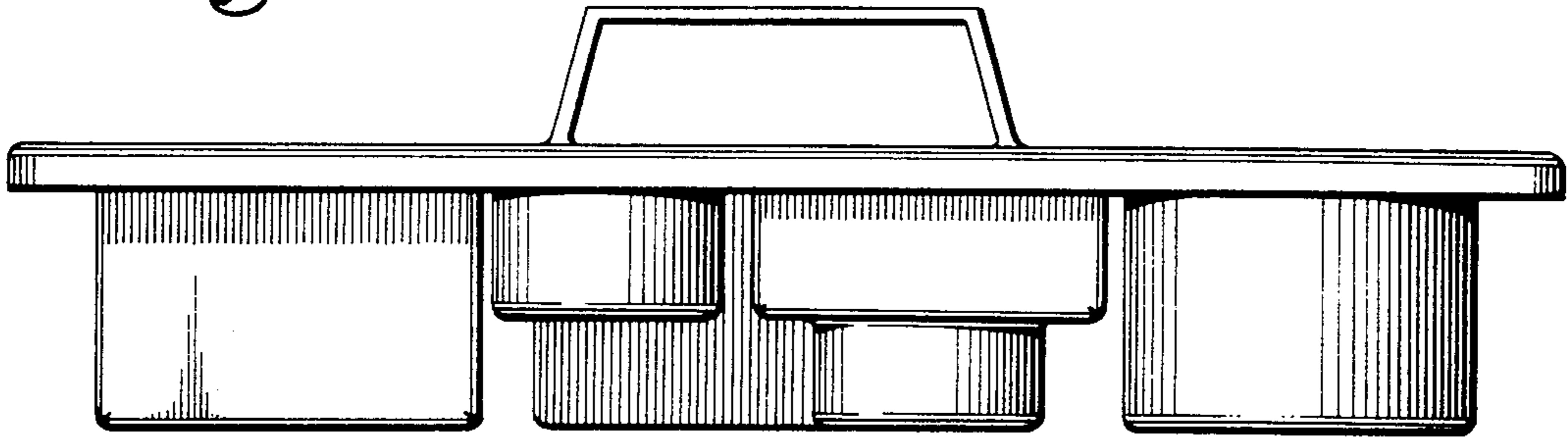


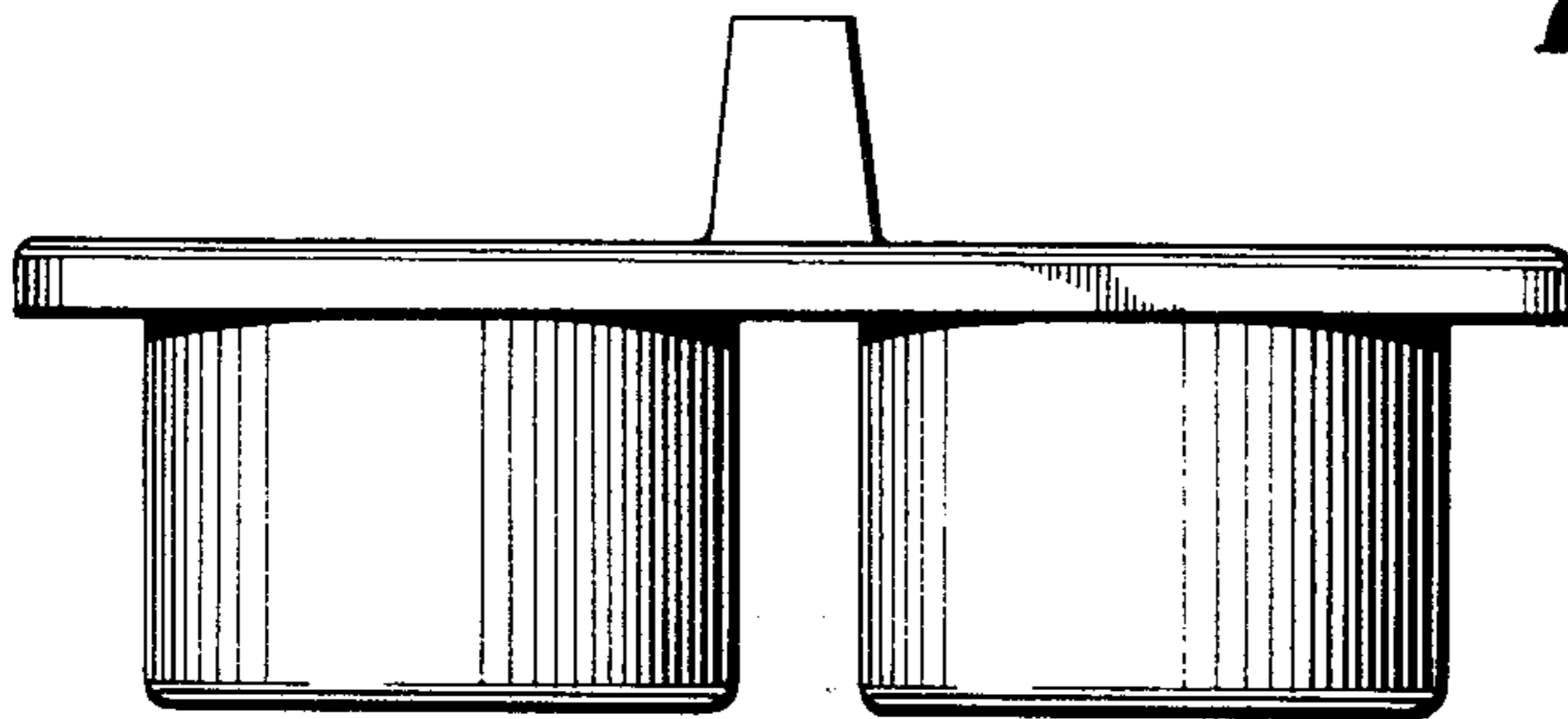
Fig. 2.



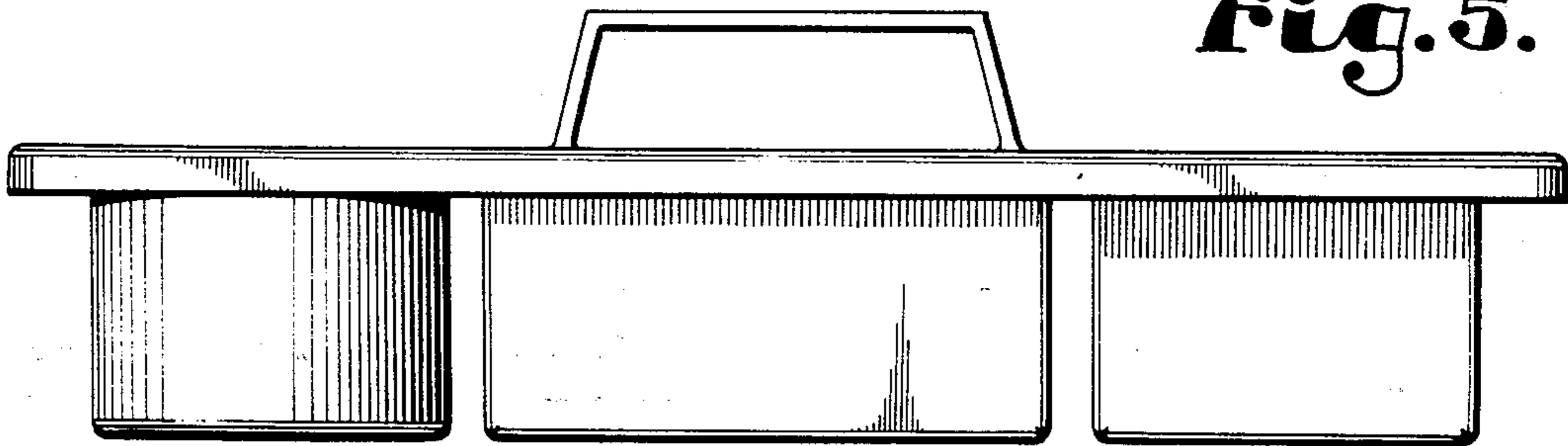
**Fig. 3.**



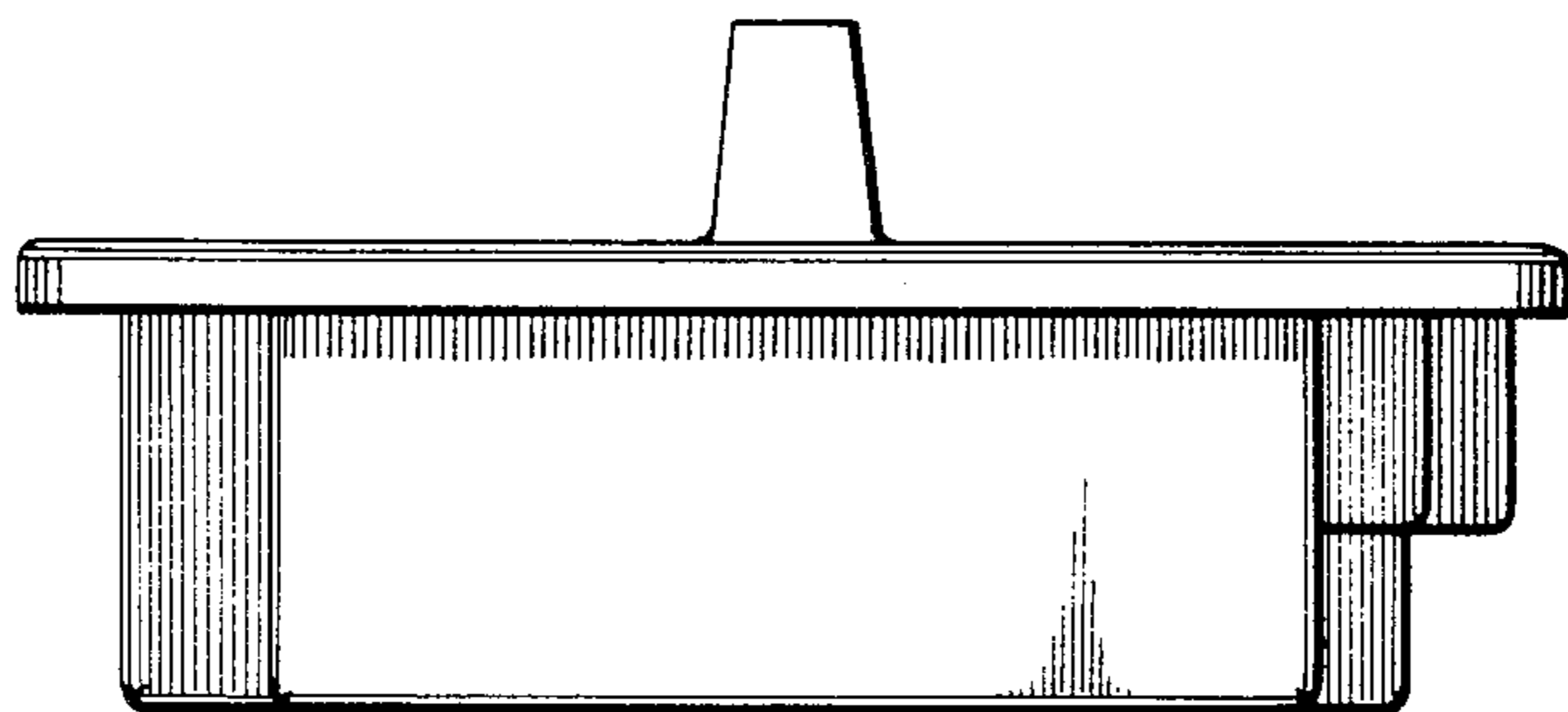
**Fig. 4.**



**Fig. 5.**



**Fig. 6.**





*Fig. 1.*

