

[54] SADDLE

[76] Inventor: Judith A. Sarnelli, 15521 Morrison St., Sherman Oaks, Calif. 91403

[\*\*] Term: 14 Years

[21] Appl. No.: 388,803

[22] Filed: Jun. 16, 1982

[52] U.S. Cl. .... D30/20

[58] Field of Search ..... D30/19-31; 54/44-47

3,624,695 11/1971 Roberts, Jr. .... 54/46  
4,287,705 9/1981 Frost et al. .... 54/44  
4,324,090 4/1982 Nix ..... 54/44

Primary Examiner—James R. Largen  
Attorney, Agent, or Firm—Richard D. Slehofer

[57] CLAIM

The ornamental design for a saddle, as shown and described.

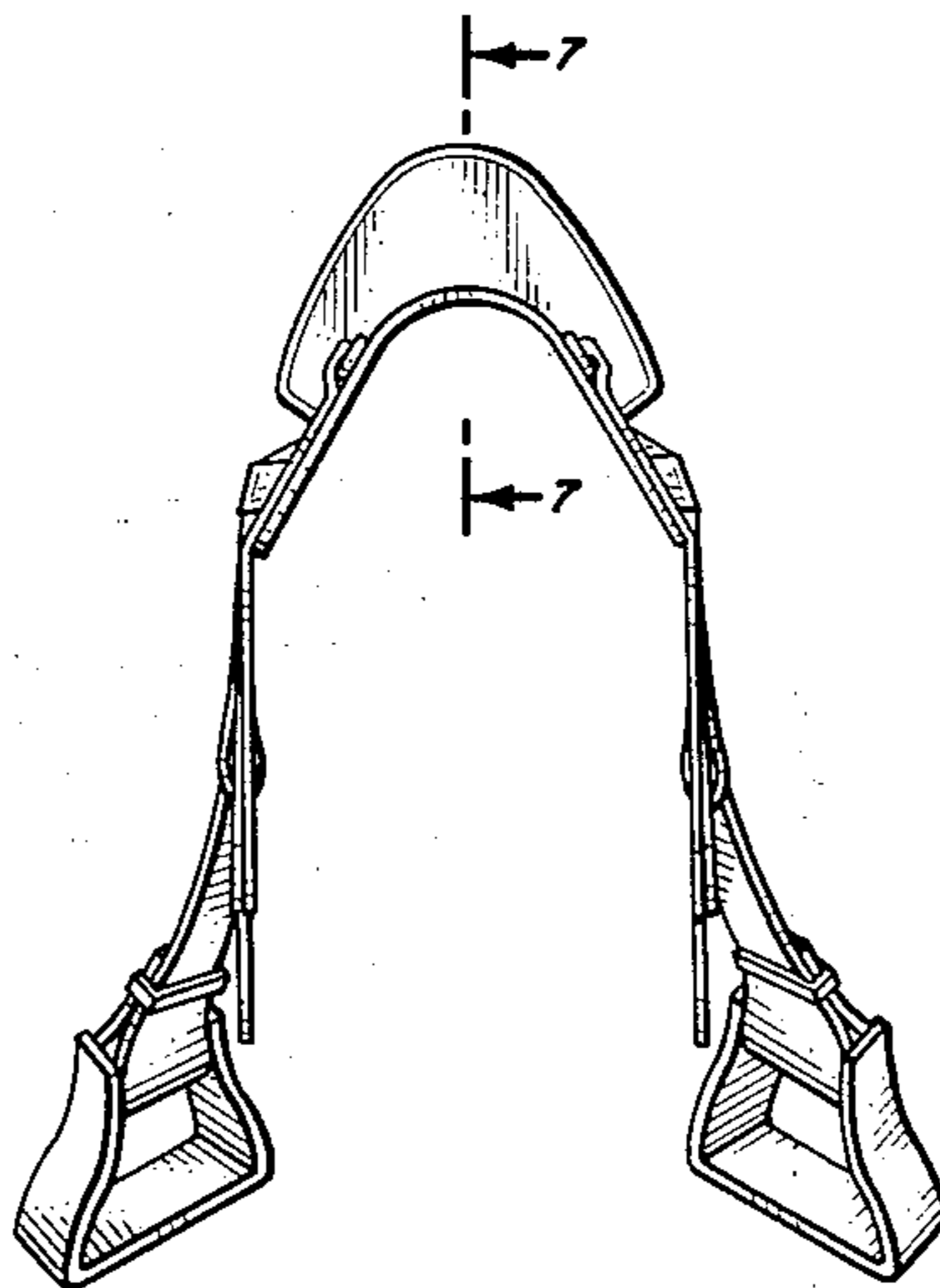
DESCRIPTION

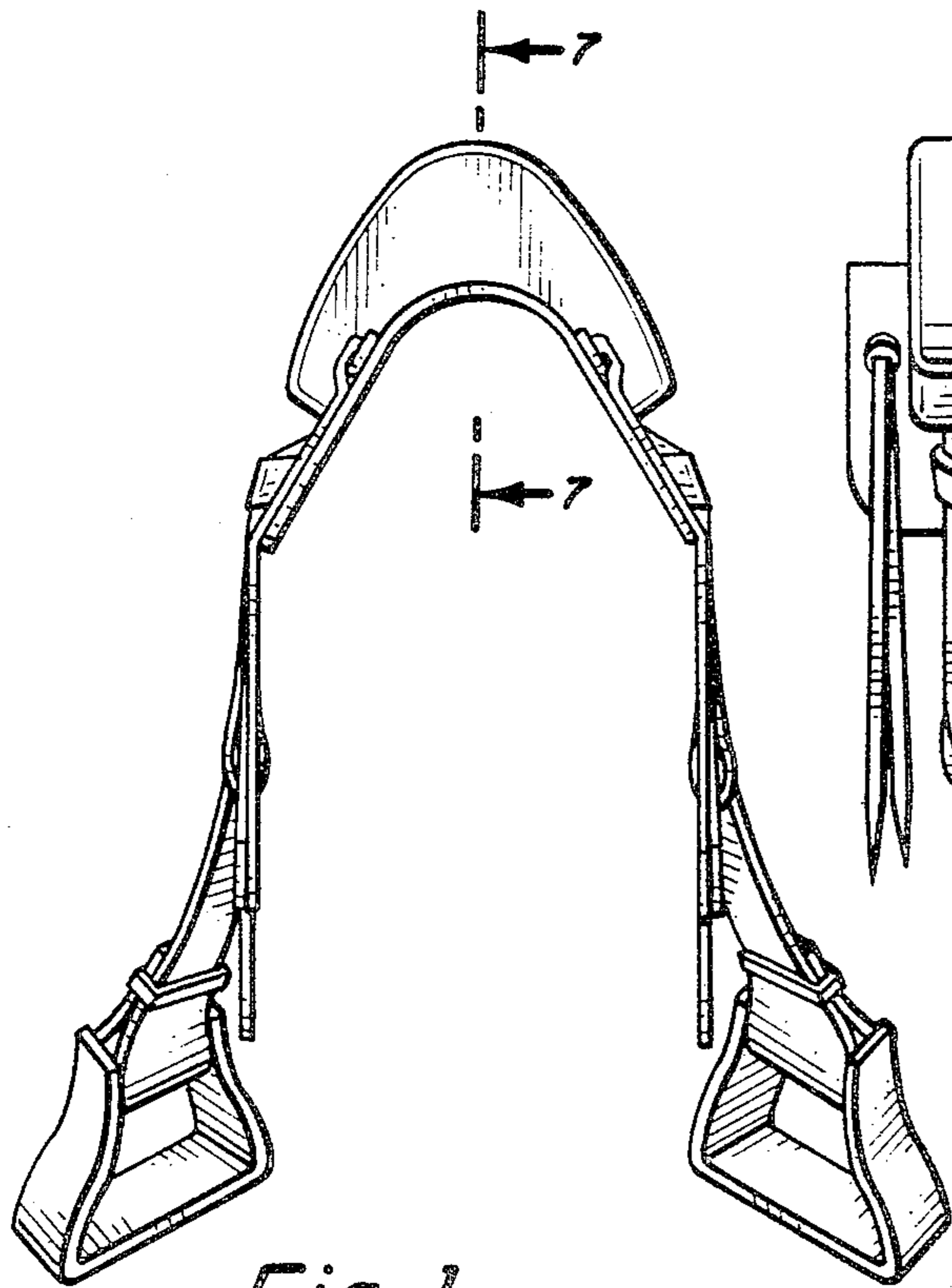
FIG. 1 is a front elevational view of a saddle showing my new design;  
FIG. 2 is a right side elevational view;  
FIG. 3 is a rear elevational view;  
FIG. 4 is a left elevational view;  
FIG. 5 is a top plan view;  
FIG. 6 is a bottom plan view; and  
FIG. 7 is a cross sectional view taken on line 7—7 of FIG. 1, with the stirrup and belts omitted for convenience of illustration.

[56] References Cited

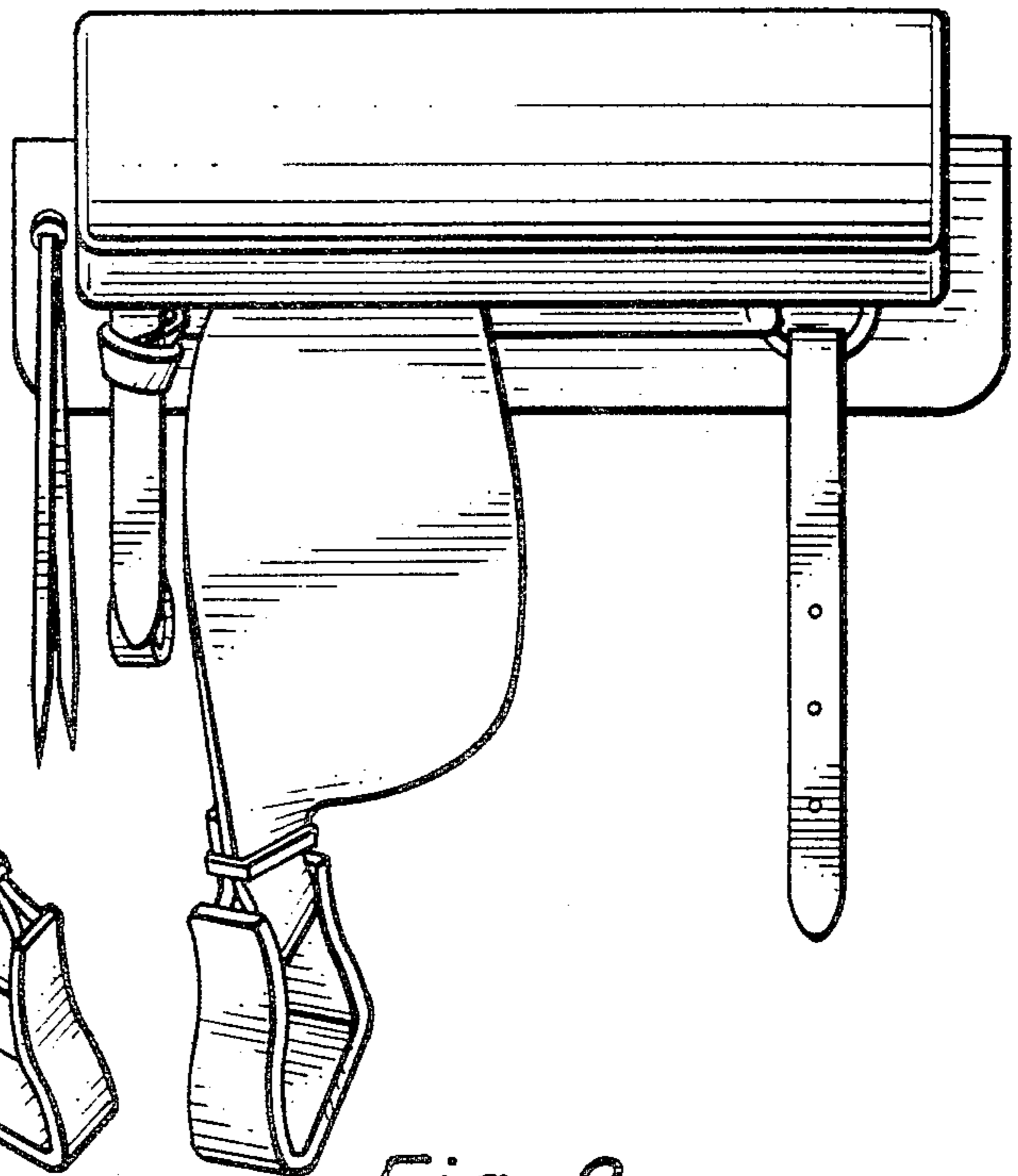
U.S. PATENT DOCUMENTS

D. 35,329	11/1901	Gilham	.....	D30/20
D. 148,937	3/1948	Kosloff	.....	D30/20
D. 179,479	1/1957	Houy	.....	D30/20
D. 250,549	12/1978	Stoddard	.....	D30/20
3,044,234	7/1962	Baldwin	.....	54/44
3,371,467	3/1968	Salisbury	.....	54/44

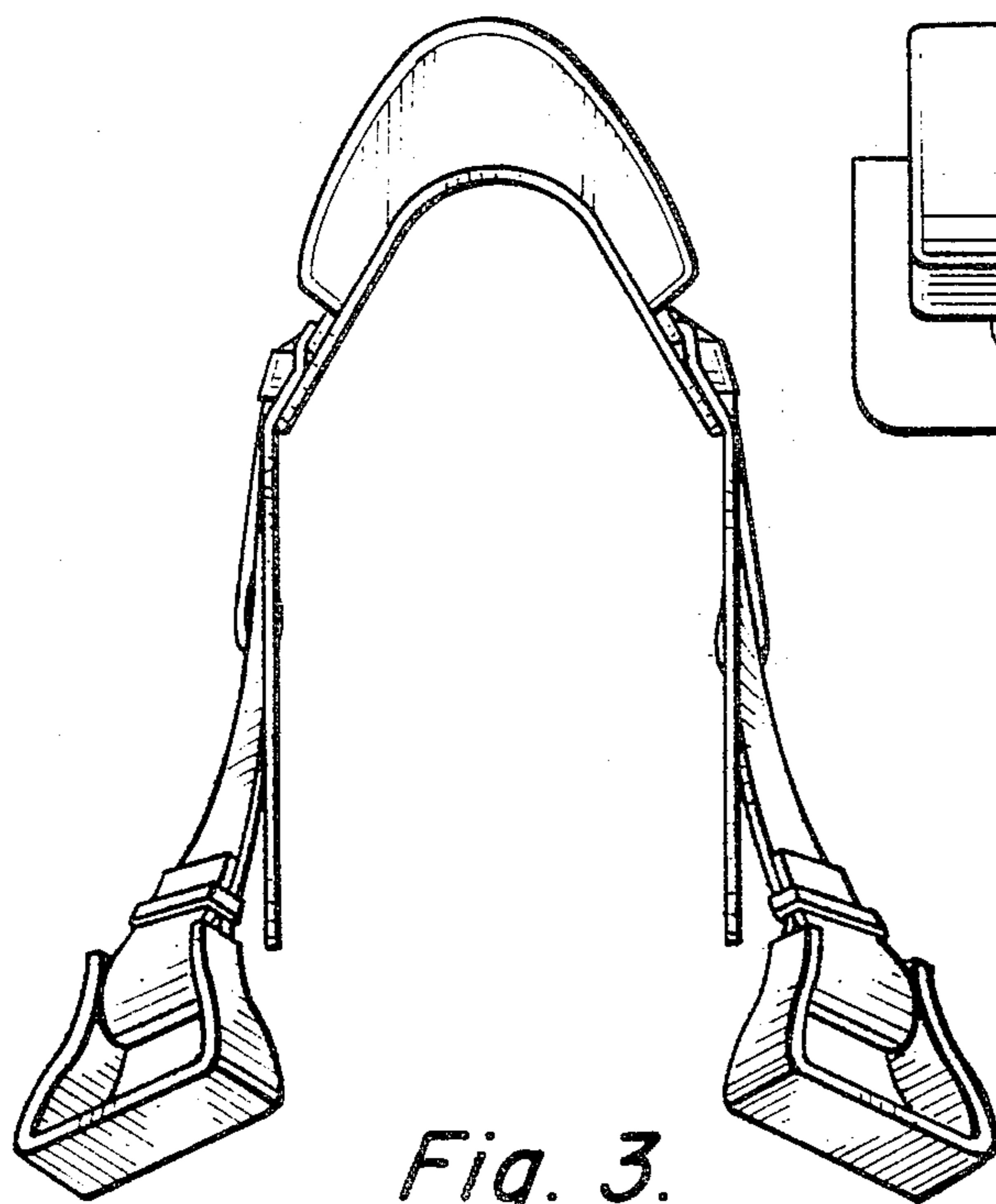




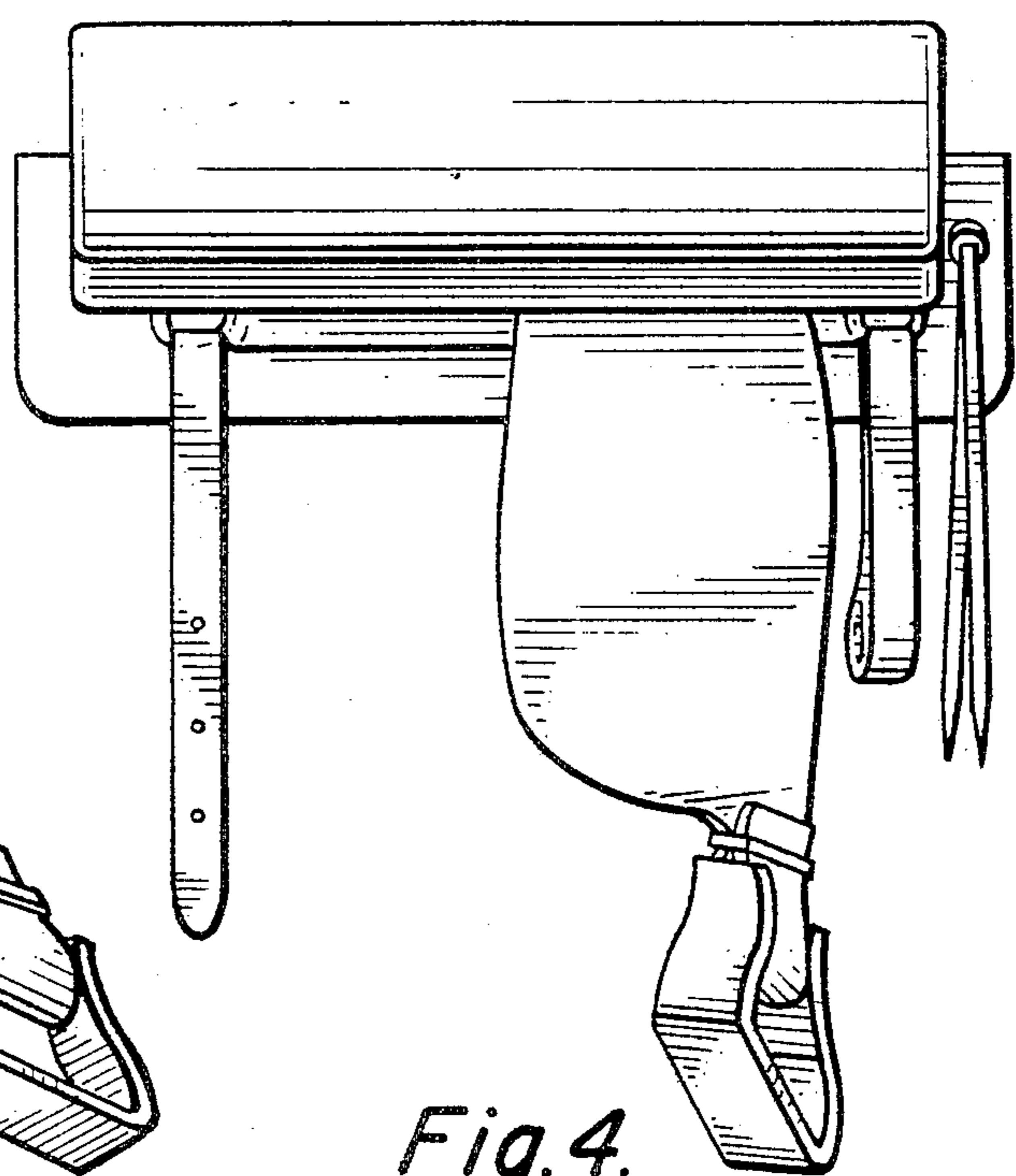
*Fig. 1.*



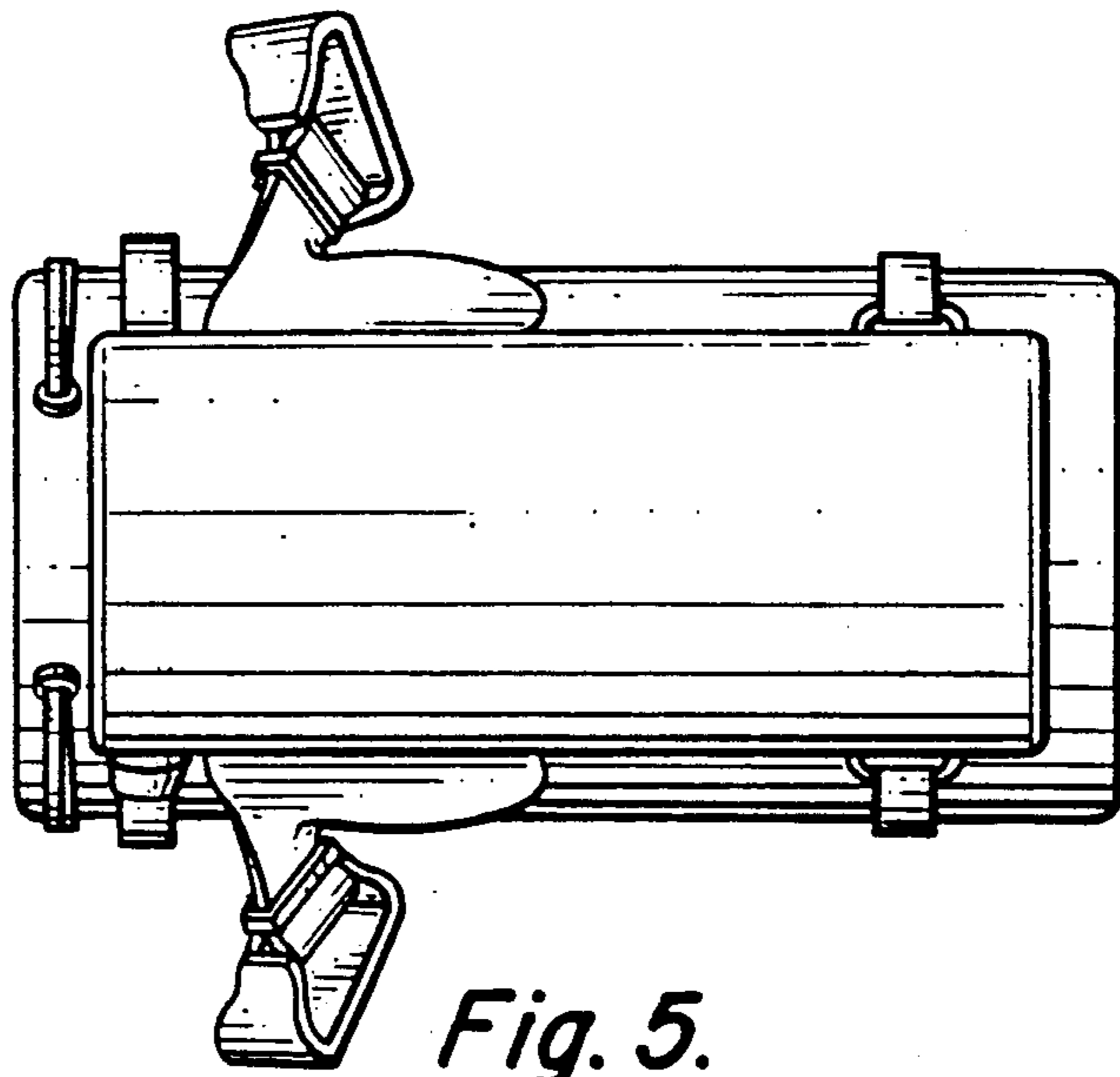
*Fig. 2.*



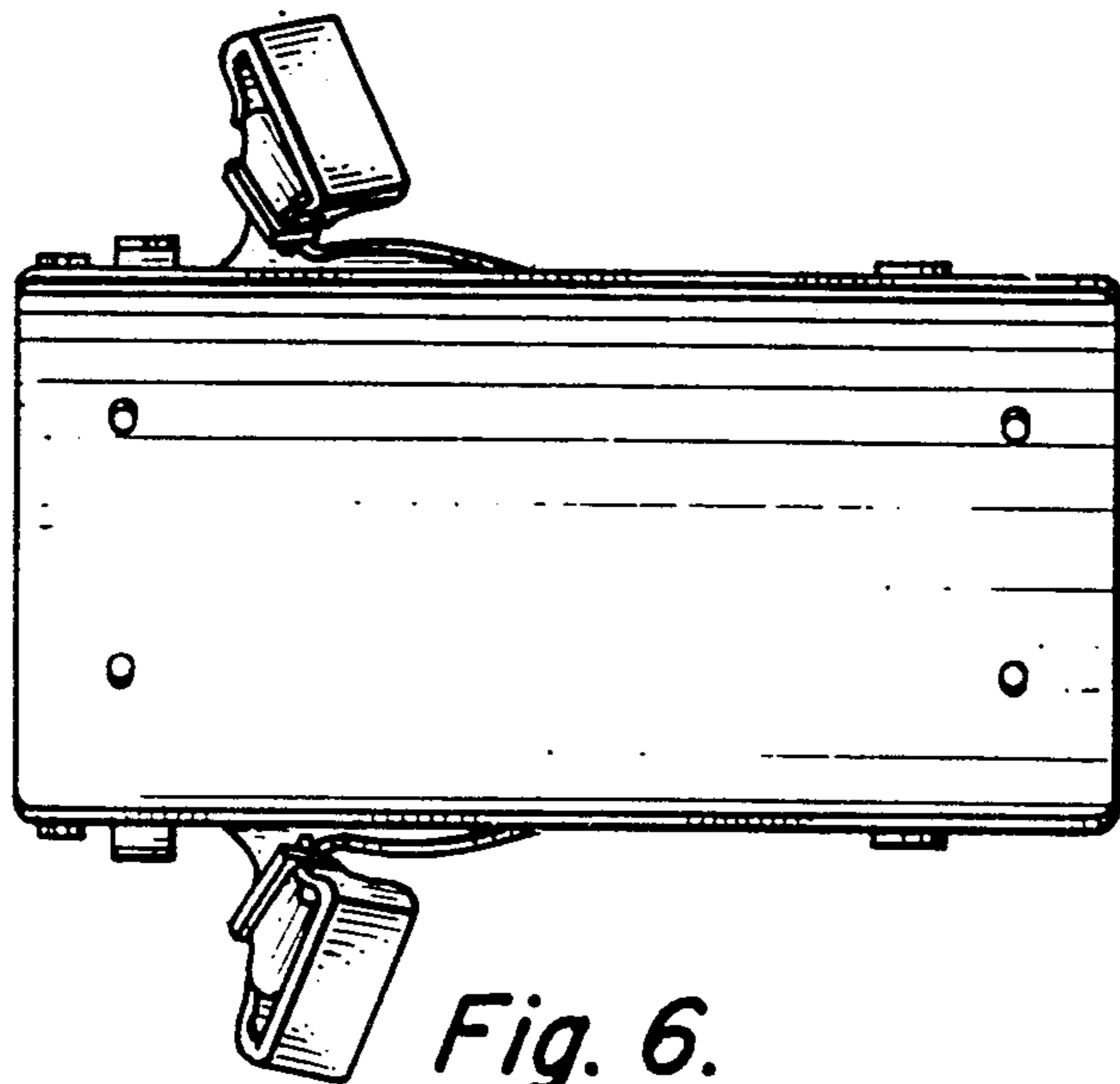
*Fig. 3.*



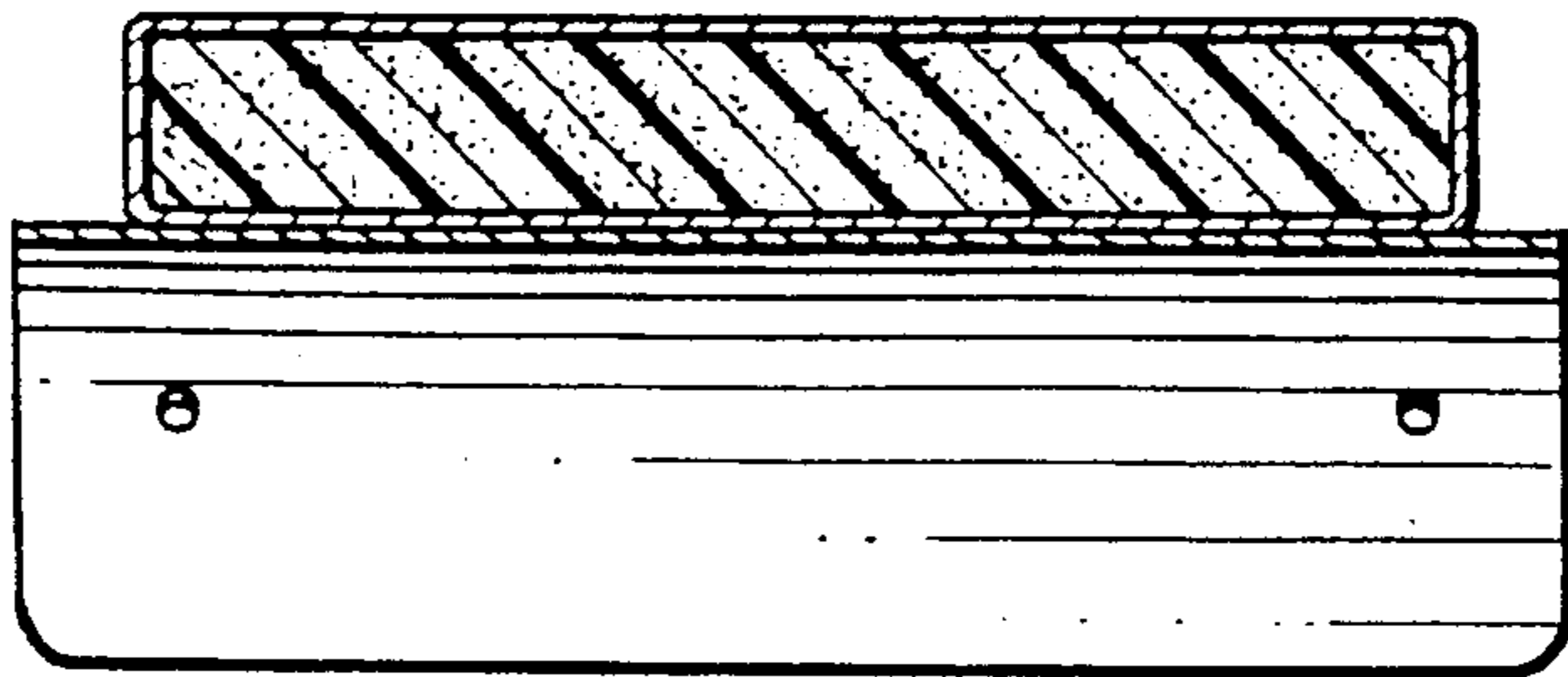
*Fig. 4.*



*Fig. 5.*



*Fig. 6.*



*Fig. 7.*