

[54] TRAY FOR CARRYING OUT CHEMICAL AND BIOLOGICAL TESTS

[75] Inventors: Lionel F. S. Albon, Oakley; Anthony J. Winterson, Wootton, both of England

[73] Assignee: Internationale Octrooi Maatschappij "Octropa" B.V., Rotterdam, Netherlands

[**] Term: 14 Years

[21] Appl. No.: 378,393

[22] Filed: May 14, 1982

[30] Foreign Application Priority Data

Nov. 17, 1981 [GB] United Kingdom 1003667

[52] U.S. Cl. D24/31

[58] Field of Search D24/31, 17, 29, 25, D24/34, 36, 52, 38, 53, 8, 32; 206/364, 366, 447, 562, 563, 564, 566, 368, 369, 388, 380, 588, 370, 456, 509; 220/20; 422/101, 102, 104, 65, 99; 356/246; 436/48; 435/33, 301

[56] References Cited

U.S. PATENT DOCUMENTS

- D. 225,467 12/1972 Burke et al. D24/31
- D. 237,317 10/1975 Nowakowski et al. D24/31
- 3,107,204 10/1963 Brown et al. 435/301
- 3,826,717 7/1974 Gilbert et al. 435/33
- 4,245,052 1/1981 Lund 435/301

FOREIGN PATENT DOCUMENTS

- 2384023 3/1977 France 435/301

Primary Examiner—A. Hugo Word

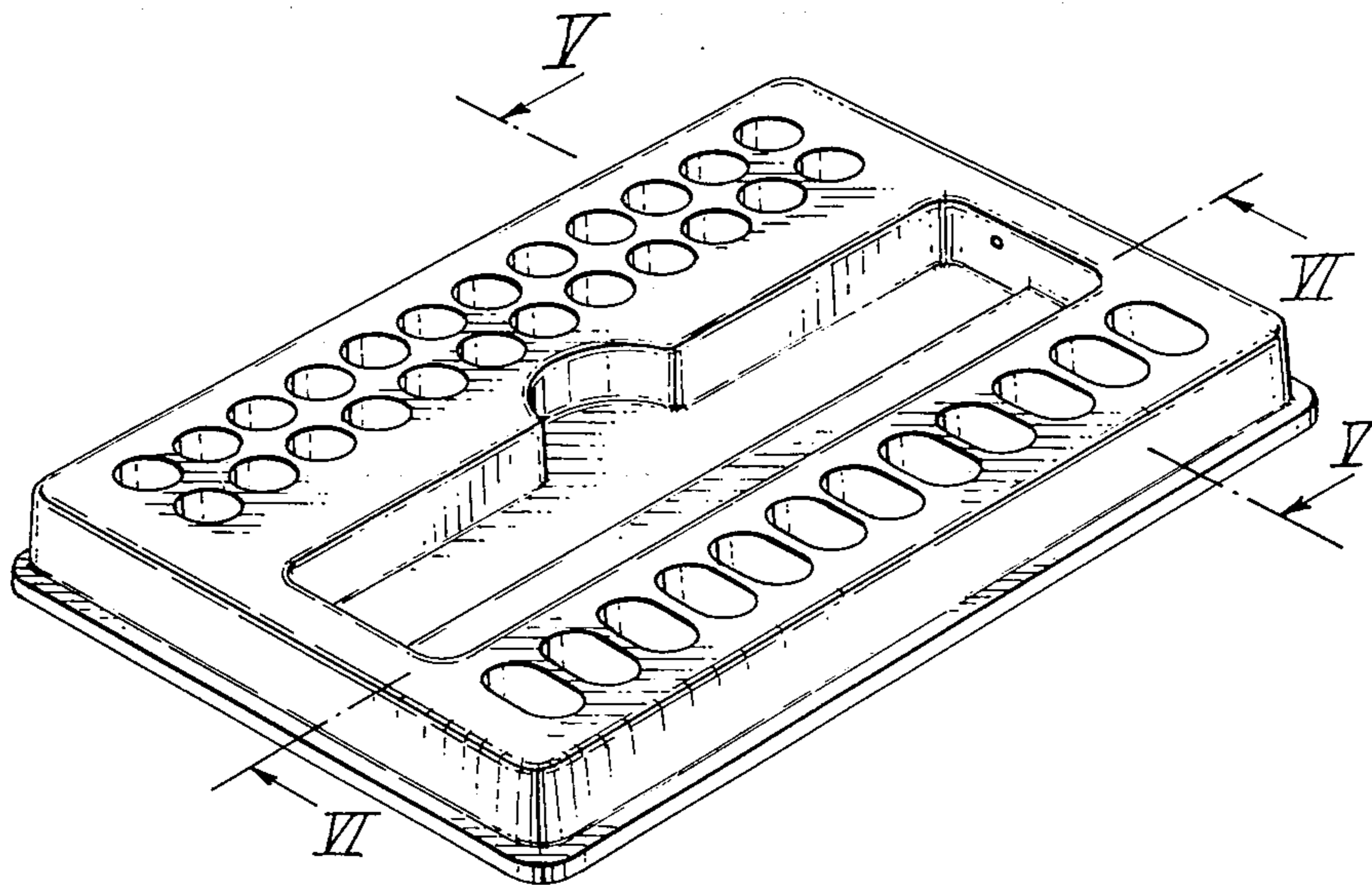
Attorney, Agent, or Firm—Cushman, Darby & Cushman

[57] CLAIM

The ornamental design for a tray for carrying out chemical and biological tests, substantially as shown and described.

DESCRIPTION

FIG. 1 is a perspective view of a tray for carrying out chemical and biological tests showing our new design; FIG. 2 is a front elevational view thereof; FIG. 3 is a side view thereof; FIG. 4 is a top view thereof; FIG. 5 is a sectional view thereof taken on line V—V of FIG. 1; and, FIG. 6 is a sectional view thereof taken on line VI—VI in FIG. 1.



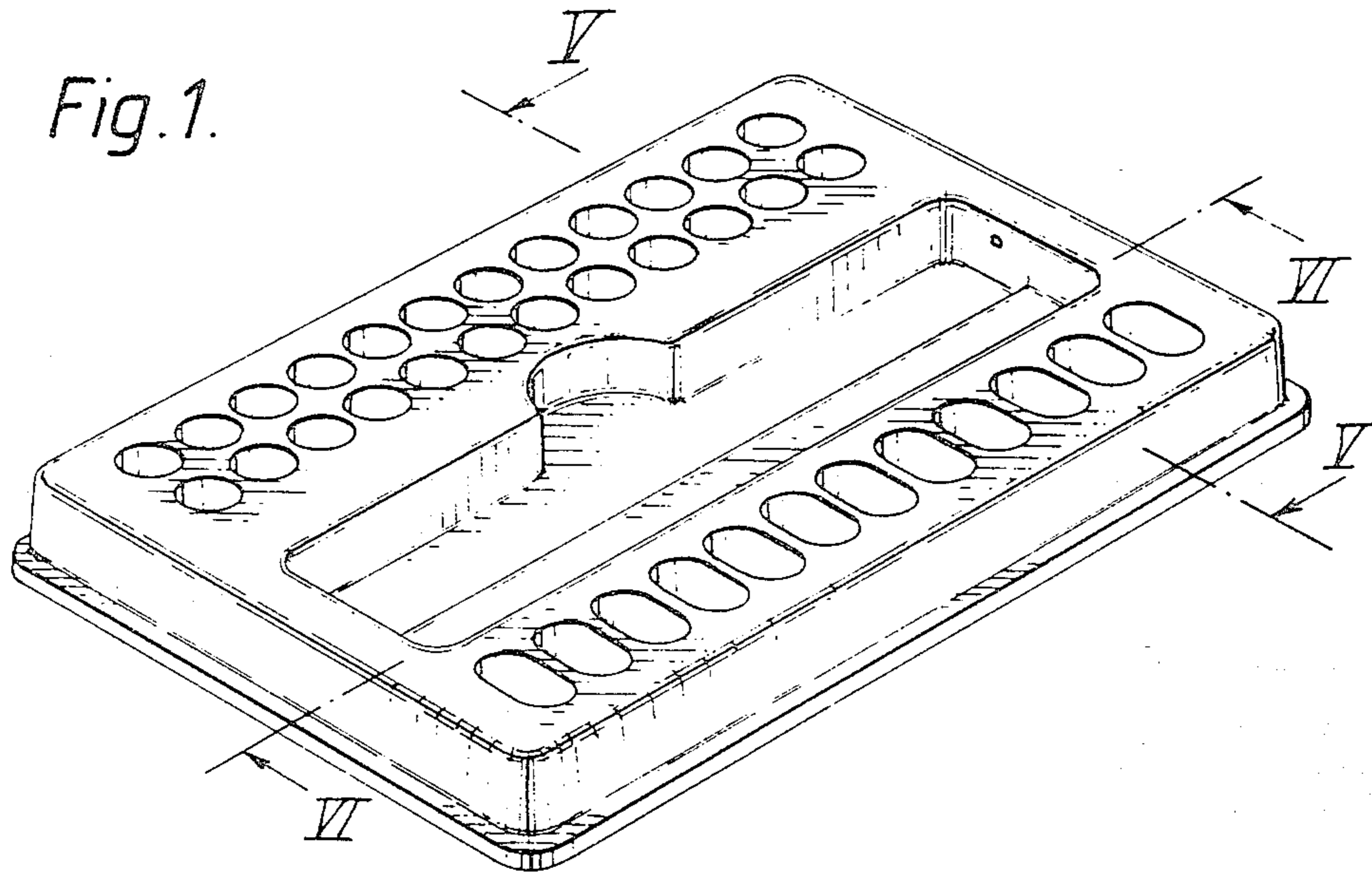


Fig. 2.

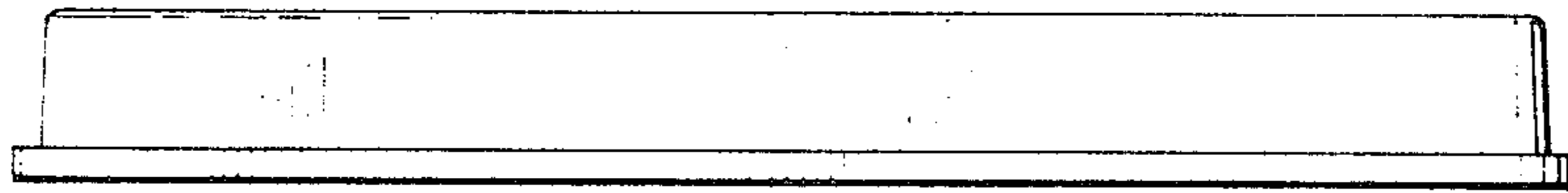


Fig. 3.

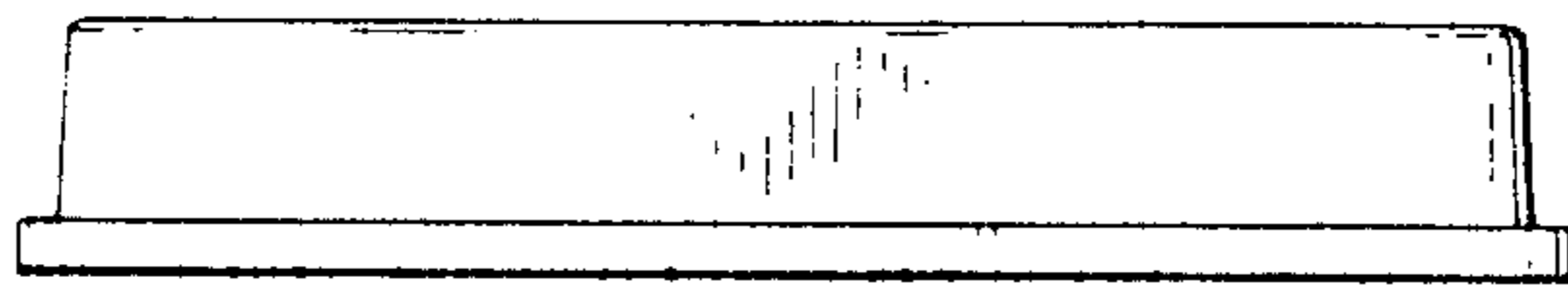


Fig. 4.

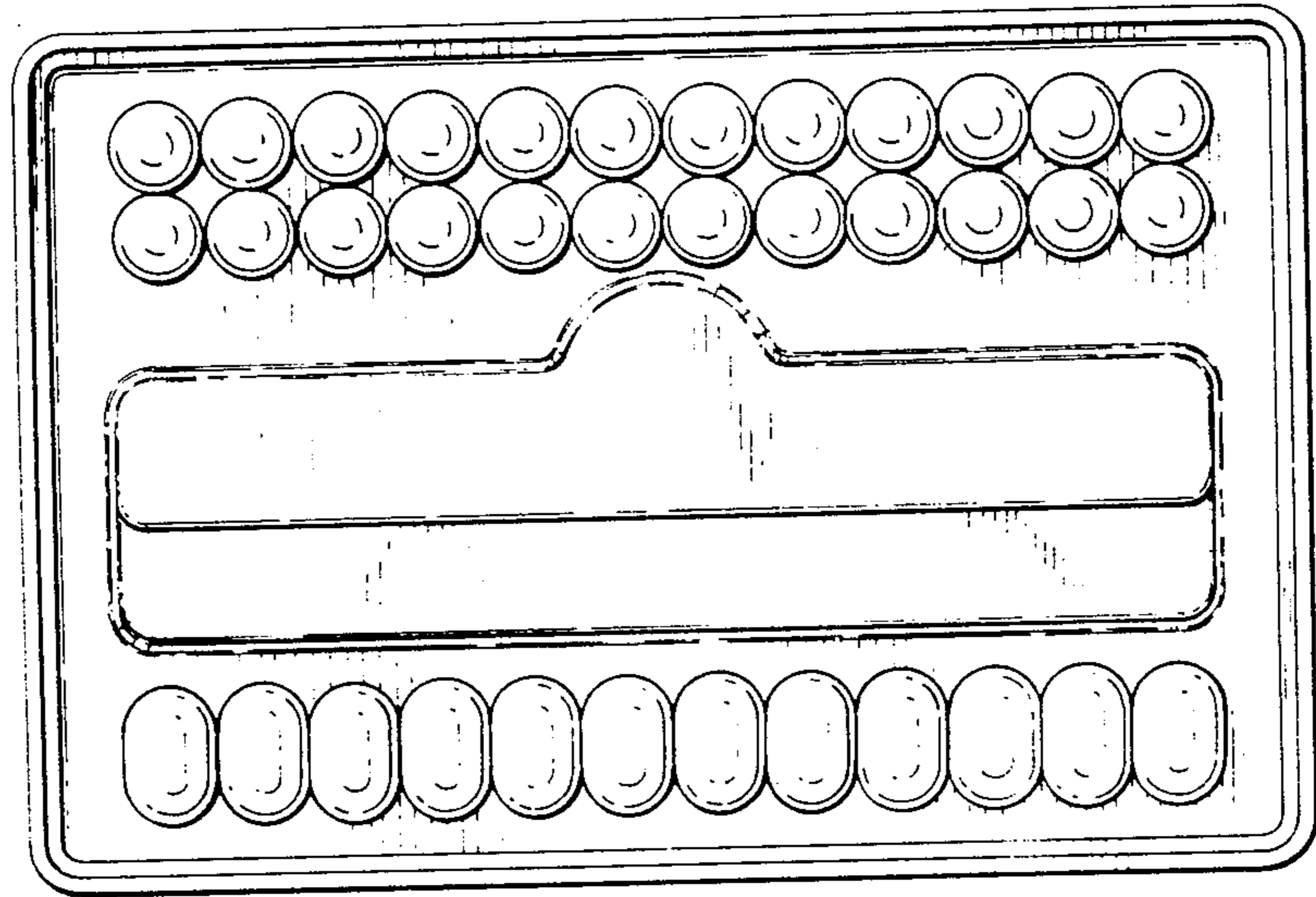


Fig. 5.

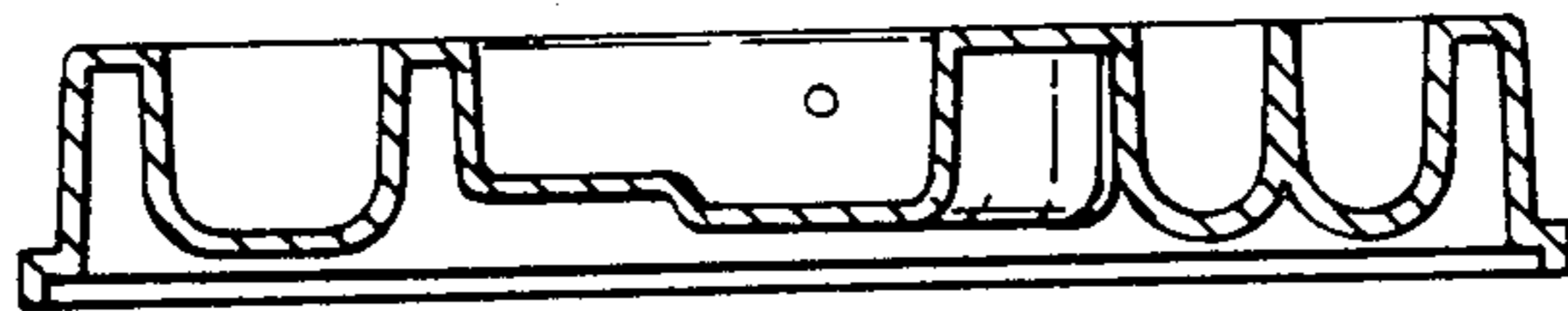


Fig. 6.

