

[54] **COMBINED PIPE FITTING AND SPRINKLING NOZZLE**

[75] Inventors: **Nils I. Arthun, Partille; Peter J. Löfgren, Hovås, both of Sweden**

[73] Assignee: **Steridose Systems AB, Askim, Sweden**

[\*\*] Term: **14 Years**

[21] Appl. No.: **378,829**

[22] Filed: **May 17, 1982**

[52] U.S. Cl. .... **D23/34**

[58] Field of Search ..... **D23/34-36; 169/37, 38; 239/589, 650, DIG. 19; 138/45**

3,045,931 7/1962 Hall ..... 239/589  
 3,459,266 8/1969 Ault ..... 169/37  
 4,134,458 1/1979 Kimura ..... 169/37  
 4,354,624 10/1982 Chowdhury et al. .... 138/45

*Primary Examiner*—Wallace R. Burke  
*Assistant Examiner*—Lynn Wilder  
*Attorney, Agent, or Firm*—Holman & Stern

[57] **CLAIM**

The ornamental design for a combined pipe fitting and sprinkling nozzle, as shown and described.

**DESCRIPTION**

FIG. 1 is a side view of the combined pipe fitting and sprinkling nozzle embodying our design;  
 FIG. 2 is a perspective view of the combined pipe fitting and sprinkling nozzle shown in FIG. 1;  
 FIG. 3 is an exploded sectional view of a detail of FIG. 1, indicated by dotted lines.

[56] **References Cited**  
**U.S. PATENT DOCUMENTS**  
 D. 243,399 2/1977 Lupton ..... D23/4

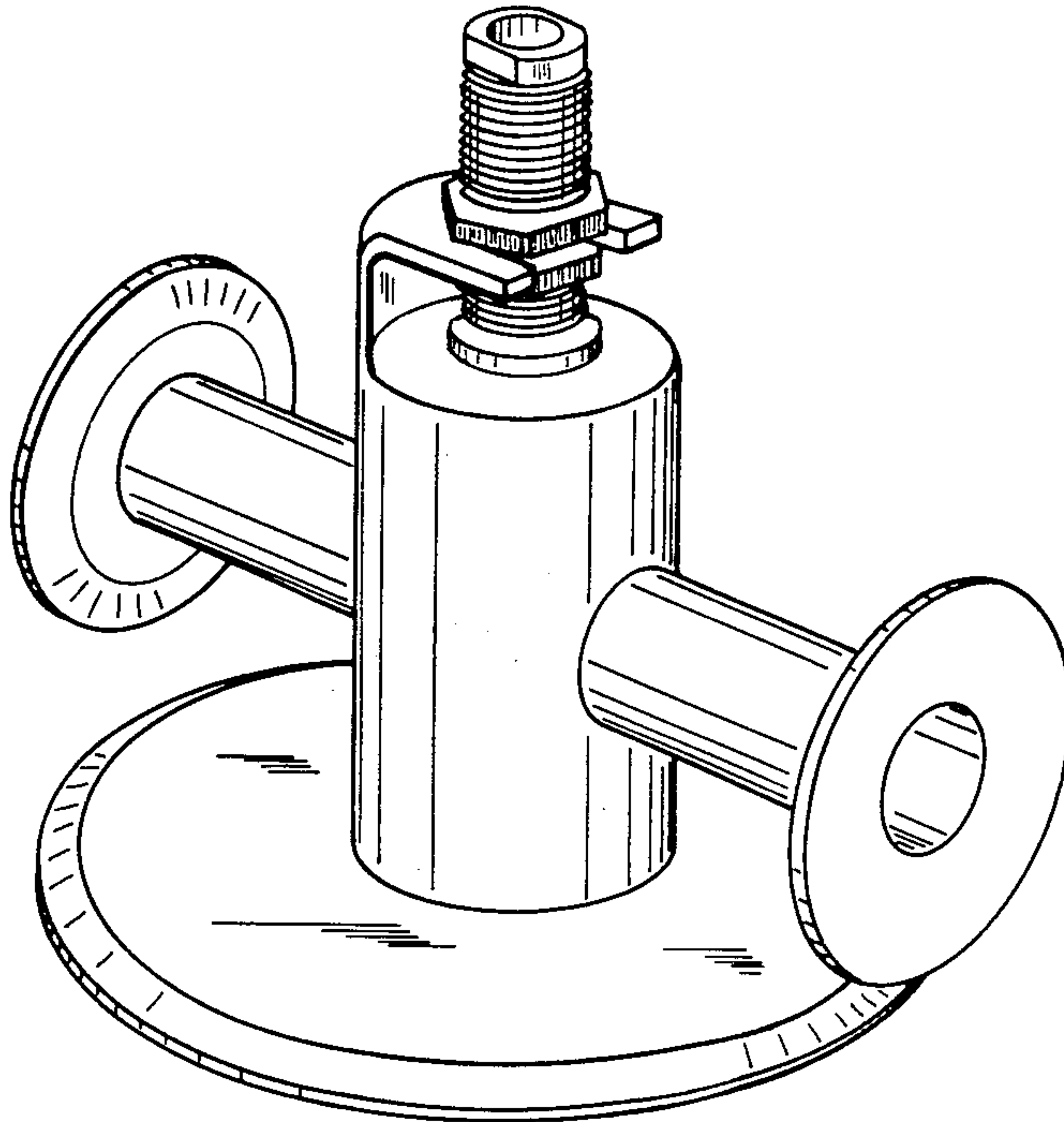


FIG. 1

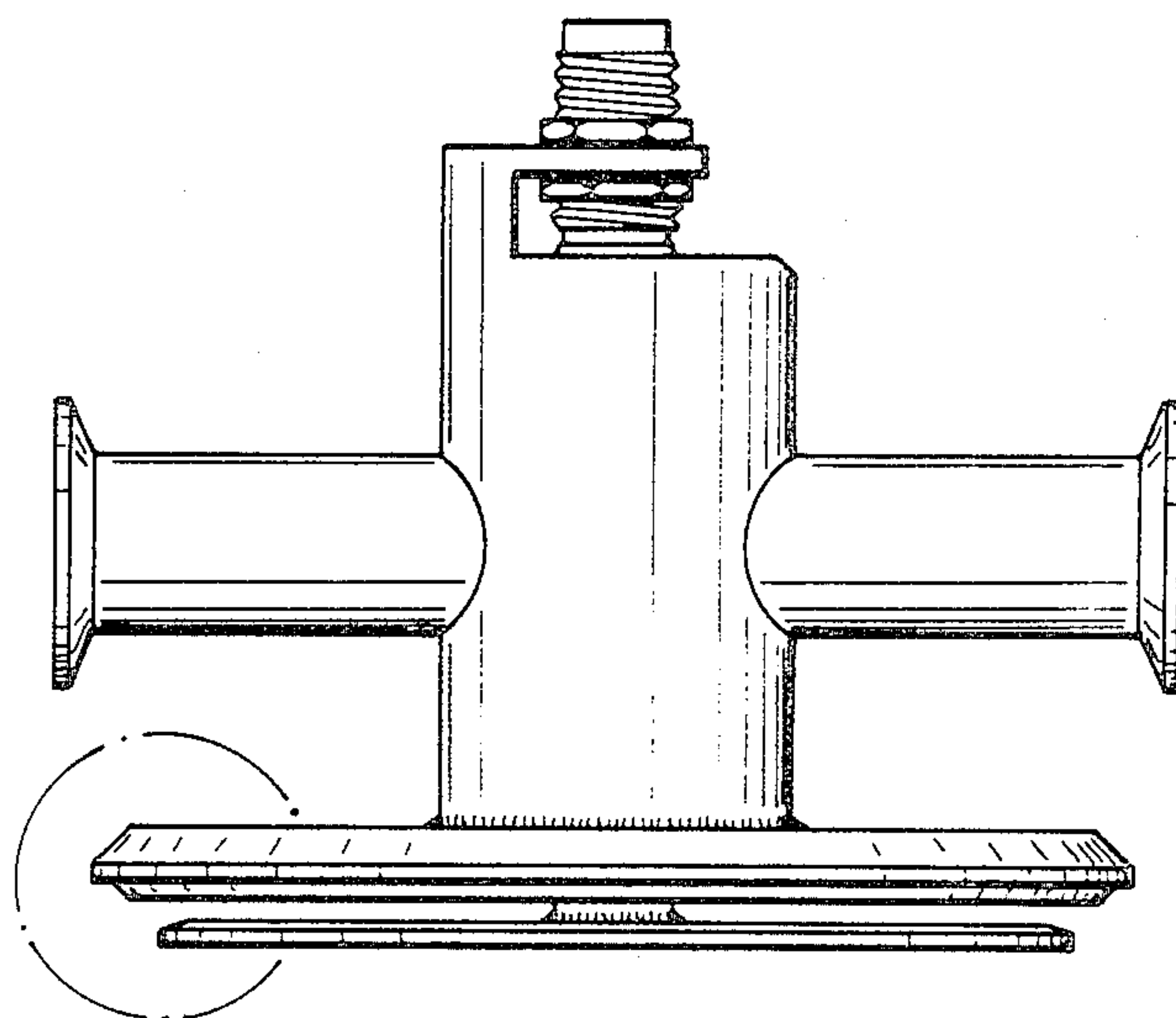


FIG. 3

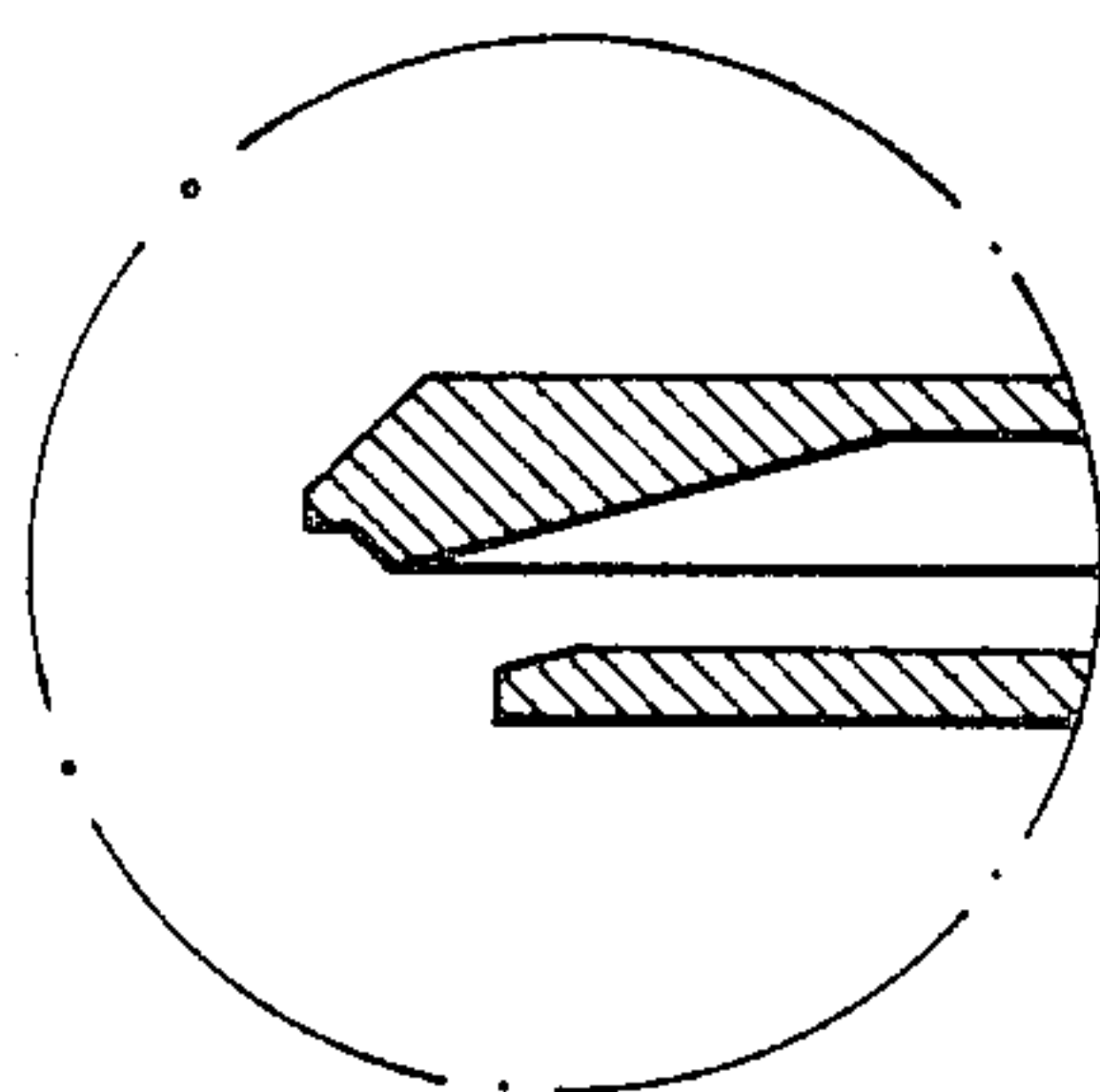


FIG. 2

