

[54] **AQUARIUM FILTER**

[75] Inventor: **Allan H. Willinger**, Englewood, N.J.

[73] Assignee: **Willinger Bros. Inc.**, Englewood, N.J.

[**] Term: **14 Years**

[21] Appl. No.: **492,466**

[22] Filed: **May 6, 1983**

[52] U.S. Cl. **D23/4**

[58] Field of Search **D23/3, 4; D30/12; 210/169**

D. 248,965 8/1978 Willinger D23/4

3,477,580 11/1969 Willinger 210/169

3,630,367 12/1971 Willinger 210/169

3,746,168 7/1973 Willinger et al. 210/169 X

3,746,169 7/1973 Willinger et al. 210/169 X

3,891,555 6/1975 Bennett et al. 210/169

4,186,093 1/1980 Willinger 210/169

Primary Examiner—James R. Largen
Attorney, Agent, or Firm—Abraham Friedman

[57] **CLAIM**

The ornamental design for an aquarium filter, substantially as shown and described.

DESCRIPTION

FIG. 1 is a top plan view of an aquarium filter showing my new design;

FIG. 2 is a front elevational view thereof;

FIG. 3 is a right side elevational view thereof, the left side being a mirror image of the right side shown;

FIG. 4 is a rear elevational view thereof; and

FIG. 5 is a bottom view thereof.

[56] **References Cited**

U.S. PATENT DOCUMENTS

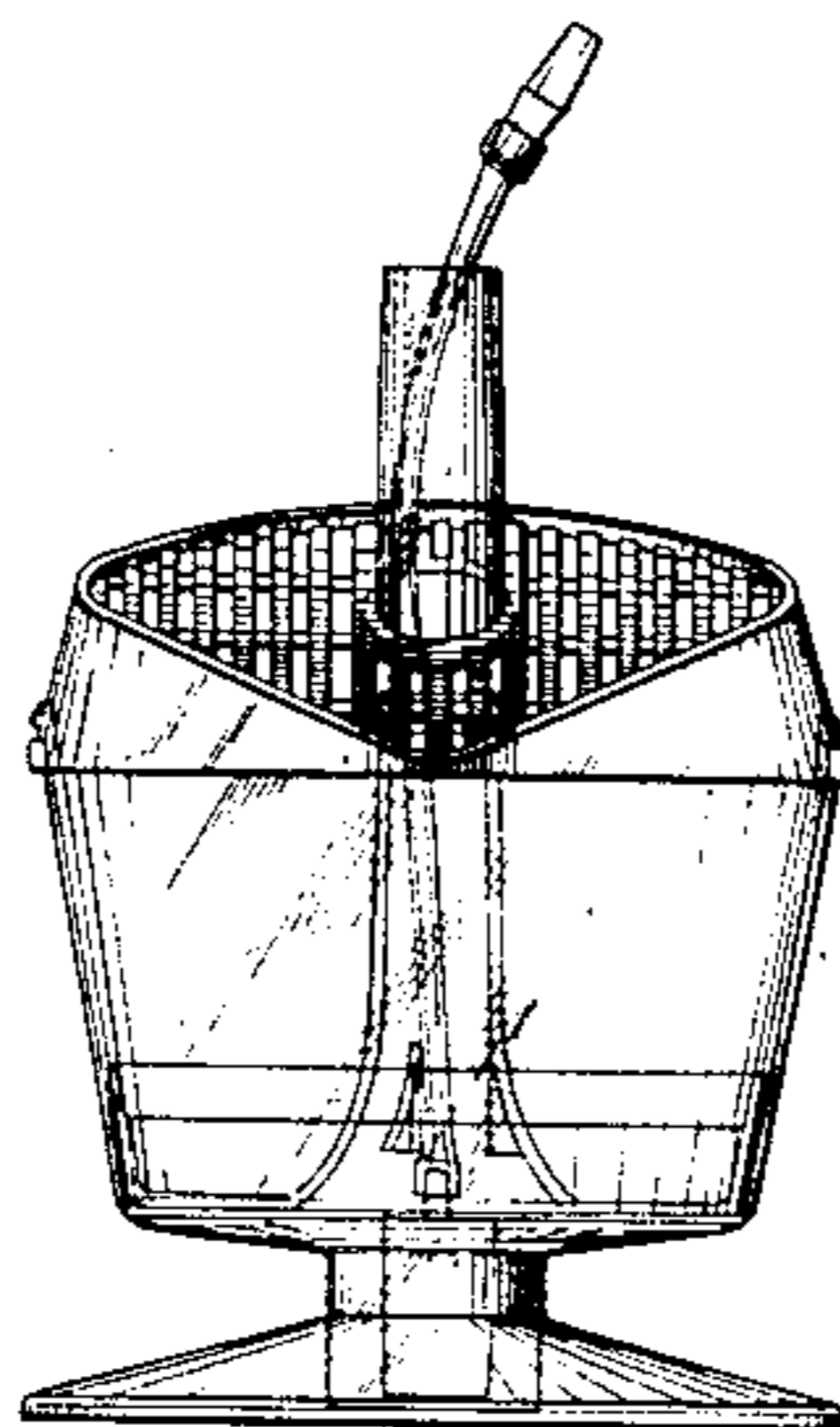
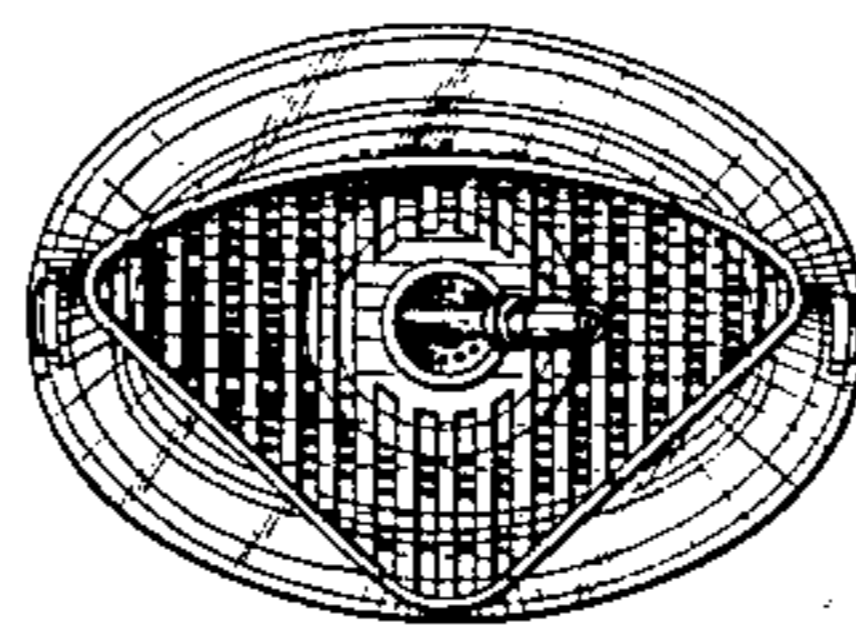
D. 174,482 4/1955 Willinger D23/4

D. 190,273 5/1961 Stark D23/4

D. 213,555 3/1969 Willinger D23/4

D. 246,724 12/1977 Willinger D23/4

D. 246,793 12/1977 Goldman et al. D23/4



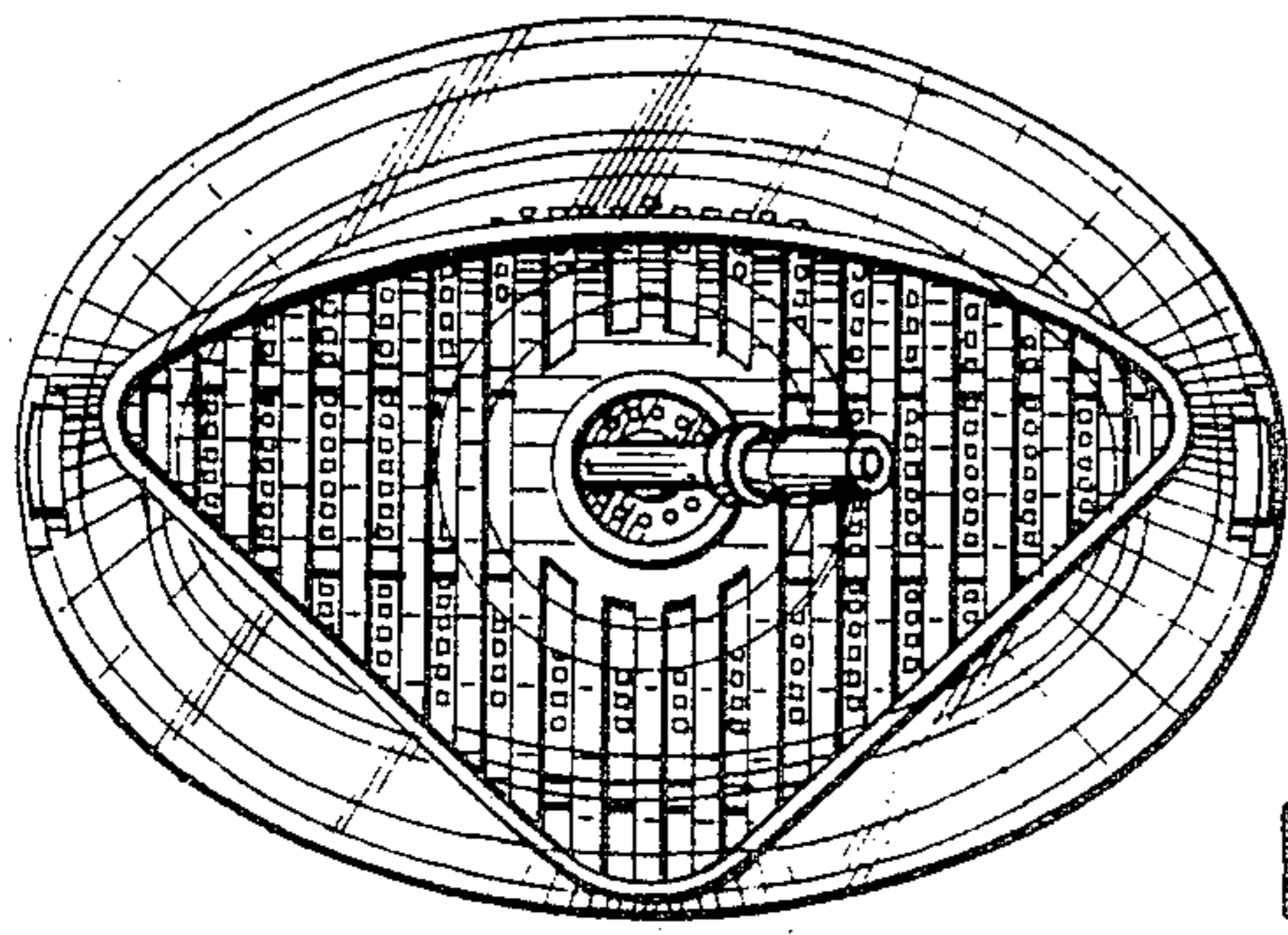


FIG. 1

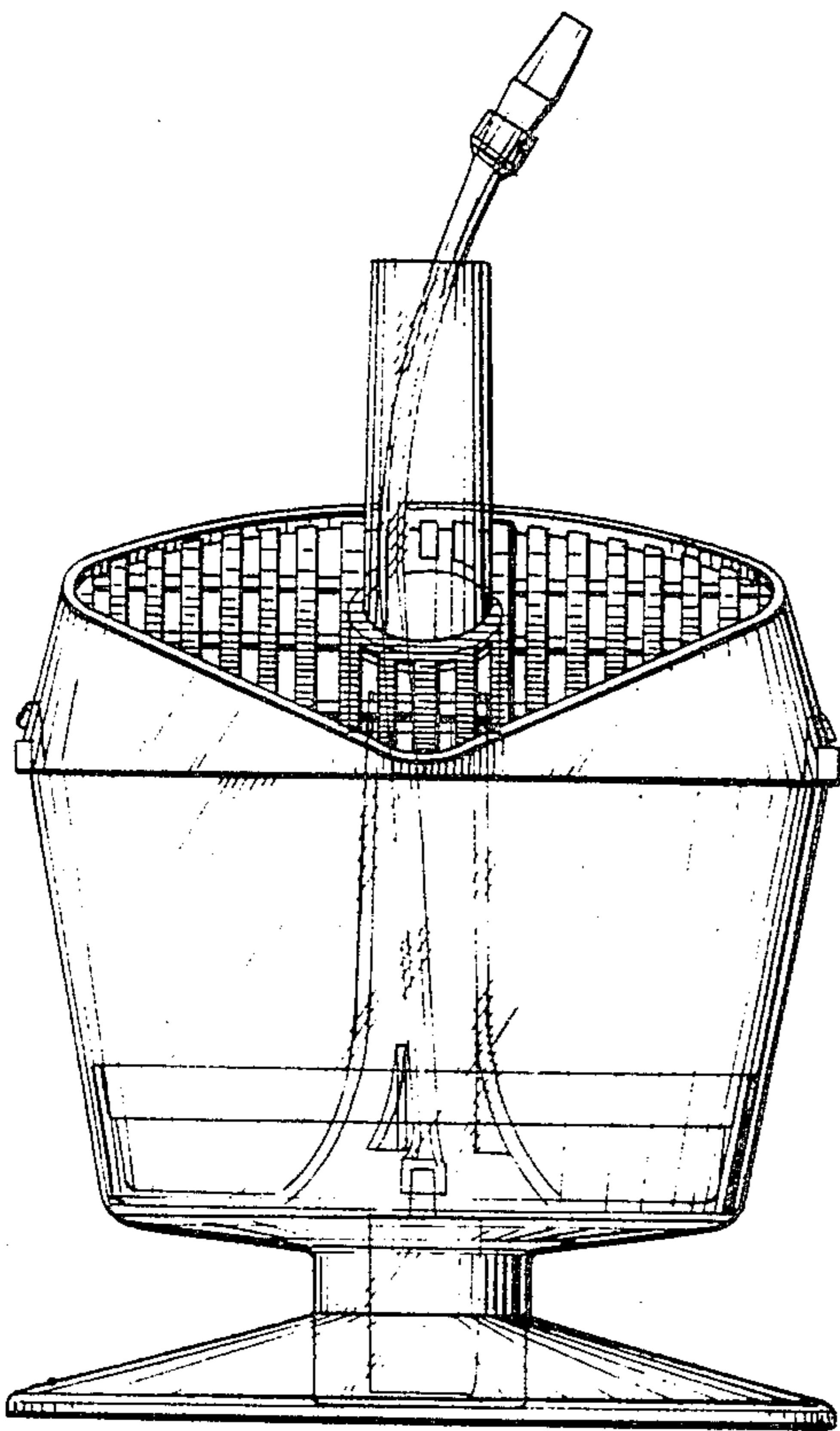


FIG. 2

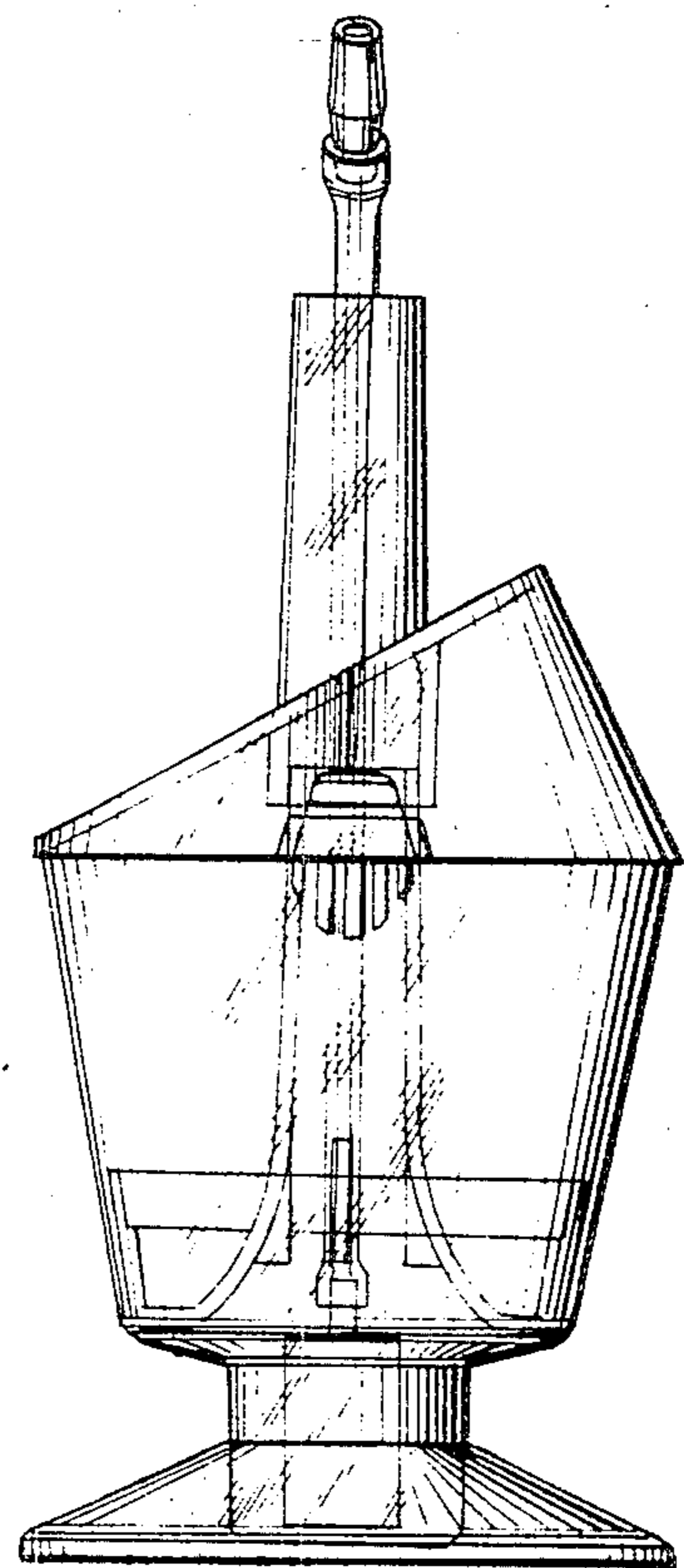


FIG. 3

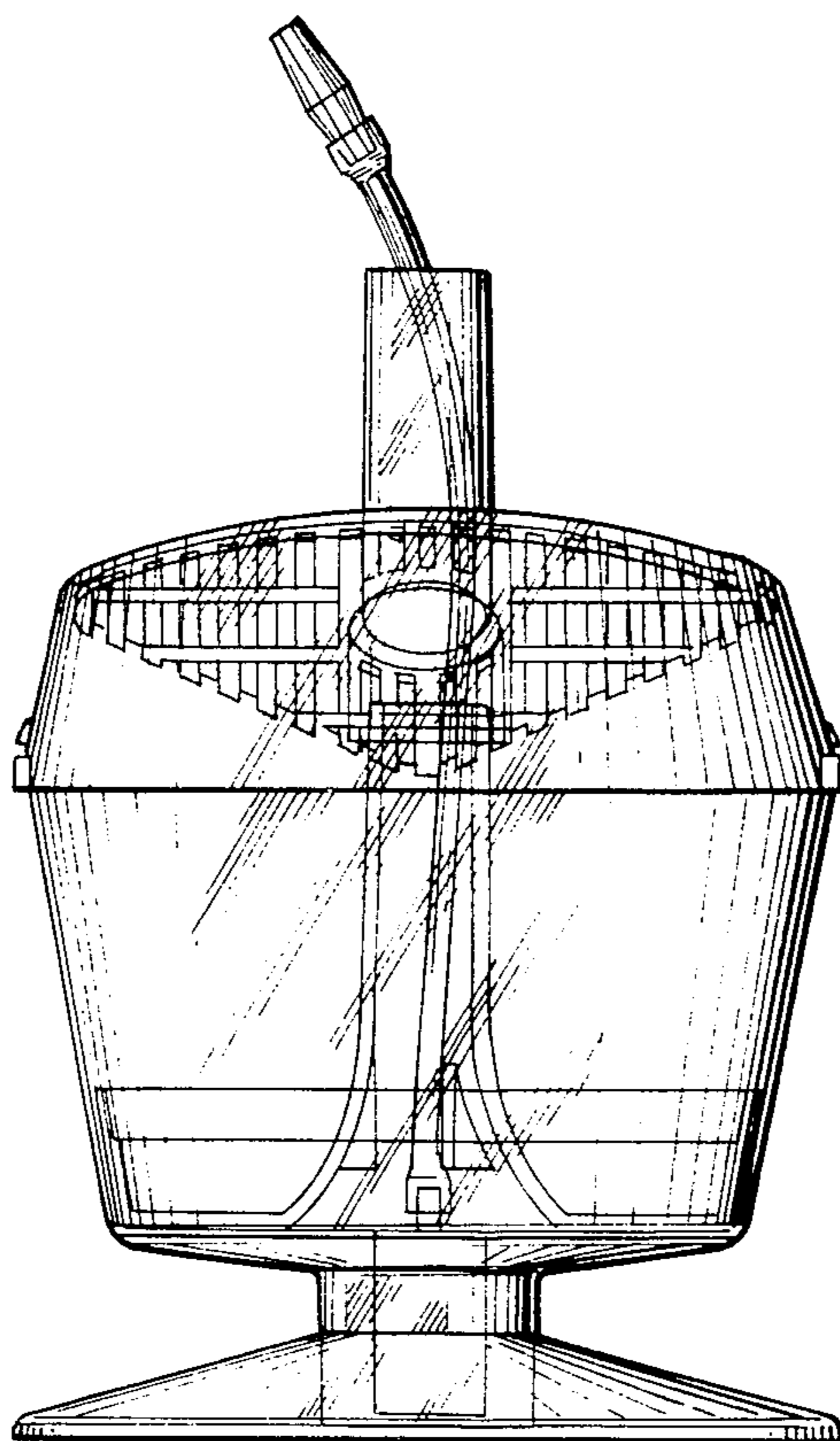


FIG. 4

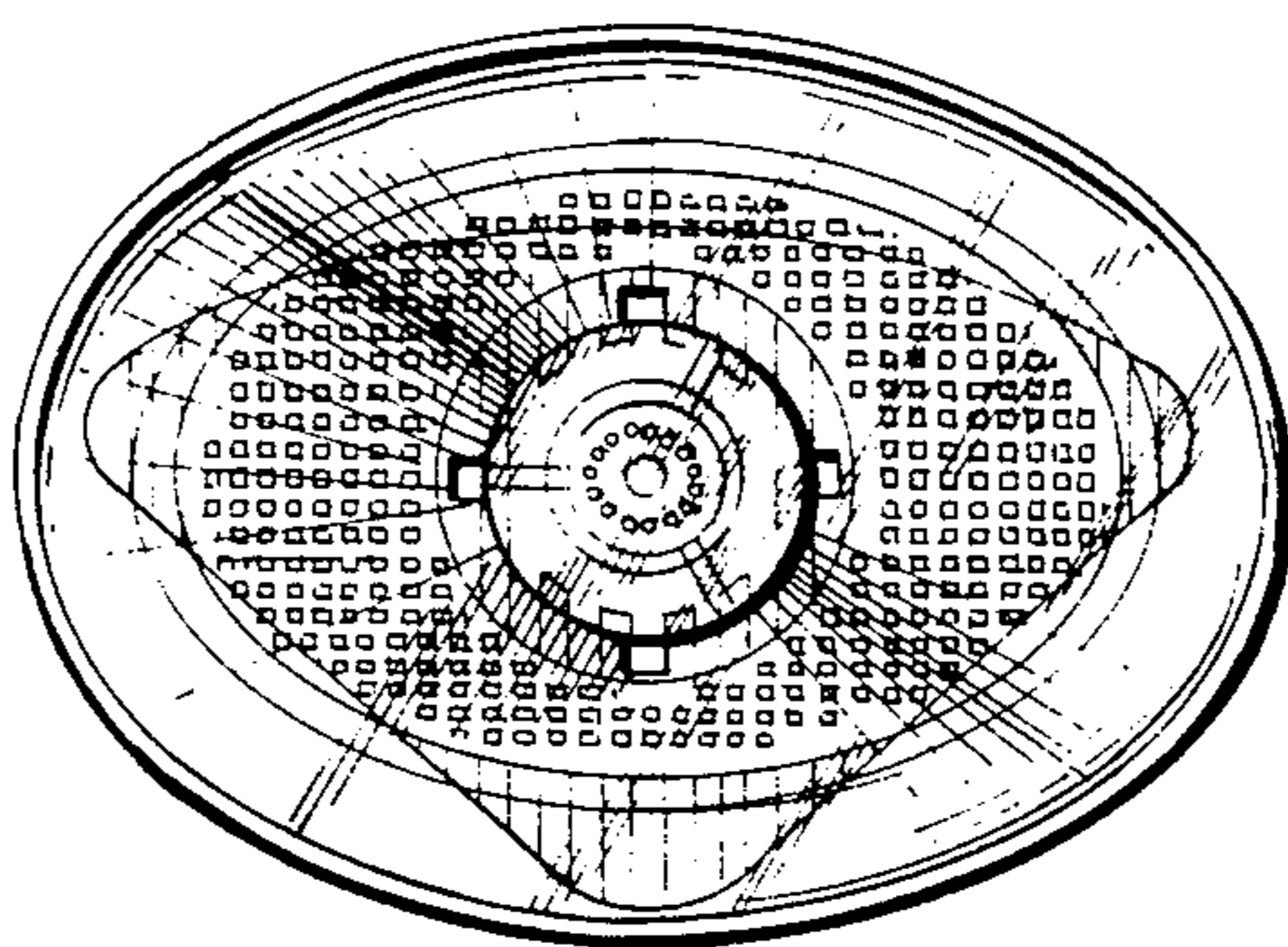


FIG. 5