

[54] **PHYSICAL DYNAMOMETER**

[76] **Inventor: Ronald C. de Buck, Prof.**  
Cobbenhagenlaan 228, 5037 De  
Tilburg, Netherlands

[\*\*] **Term: 14 Years**

[21] **Appl. No.: 477,677**

[22] **Filed: Mar. 18, 1983**

[30] **Foreign Application Priority Data**

Sep. 20, 1982 [IB] International Patent  
In ..... DM/001817

[52] **U.S. Cl. .... D21/191**

[58] **Field of Search .... D21/191-199;**  
272/130, 134, 135, 138, 141, 143, 900, DIG. 6;  
73/379, 380, 381; 128/774

[56] **References Cited**

**U.S. PATENT DOCUMENTS**

D. 226,934	5/1973	Coker et al. ....	D21/195
3,712,613	1/1973	Feather et al. ....	272/134
3,973,332	8/1976	Slomski .....	73/379
4,333,340	6/1982	Elmeskog .....	73/379

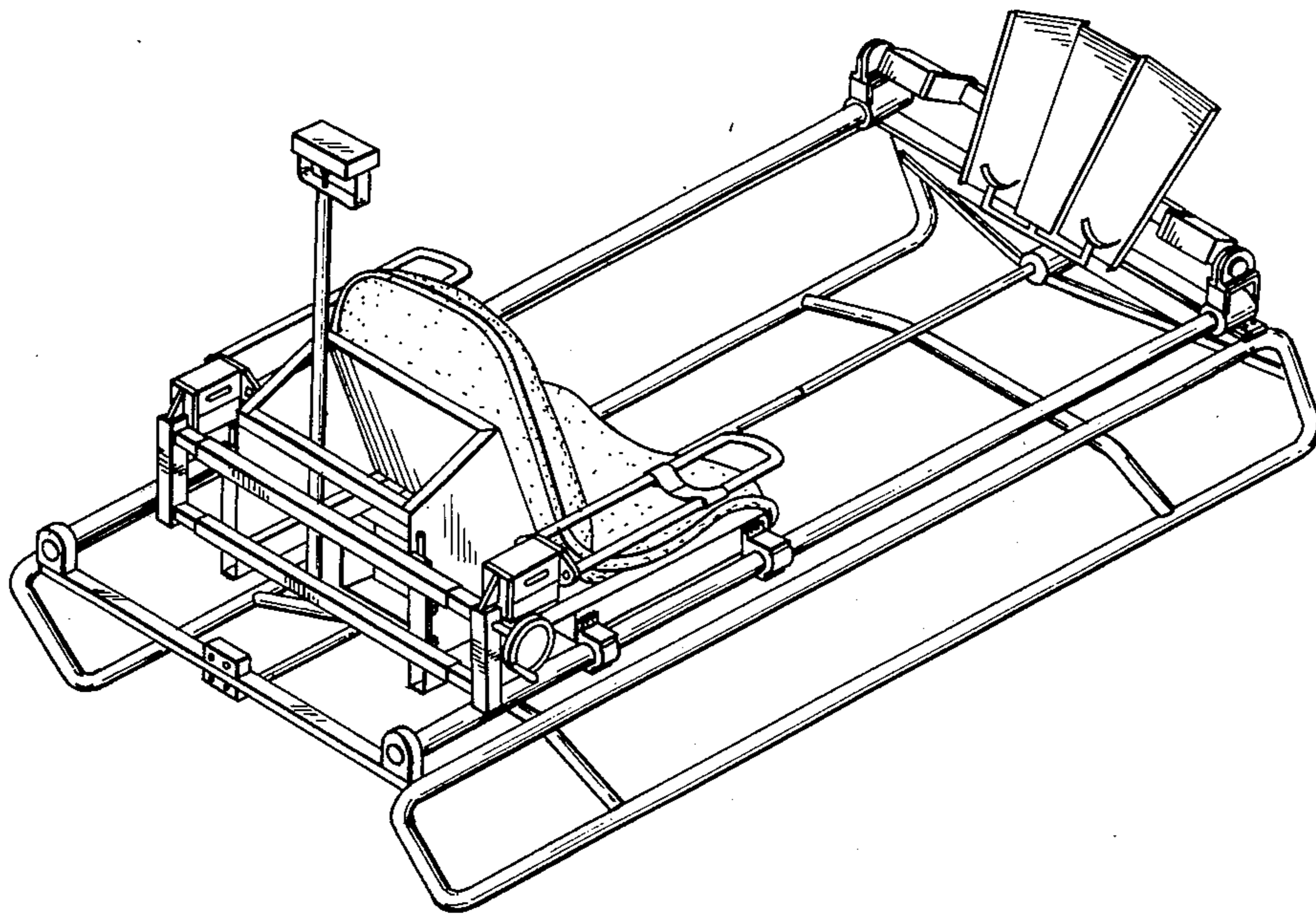
*Primary Examiner*—Charles A. Rademaker  
*Attorney, Agent, or Firm*—Birch, Stewart, Kolasch &  
Birch

[57] **CLAIM**

The ornamental design for a physical dynamometer, as shown and described.

**DESCRIPTION**

FIG. 1 is a front perspective view of a physical dynamometer showing my new design; FIG. 2 is a rear perspective view thereof; FIG. 3 is a side elevational view thereof, the side opposite being substantially a mirror image; and, FIG. 4 is an end elevational view thereof.



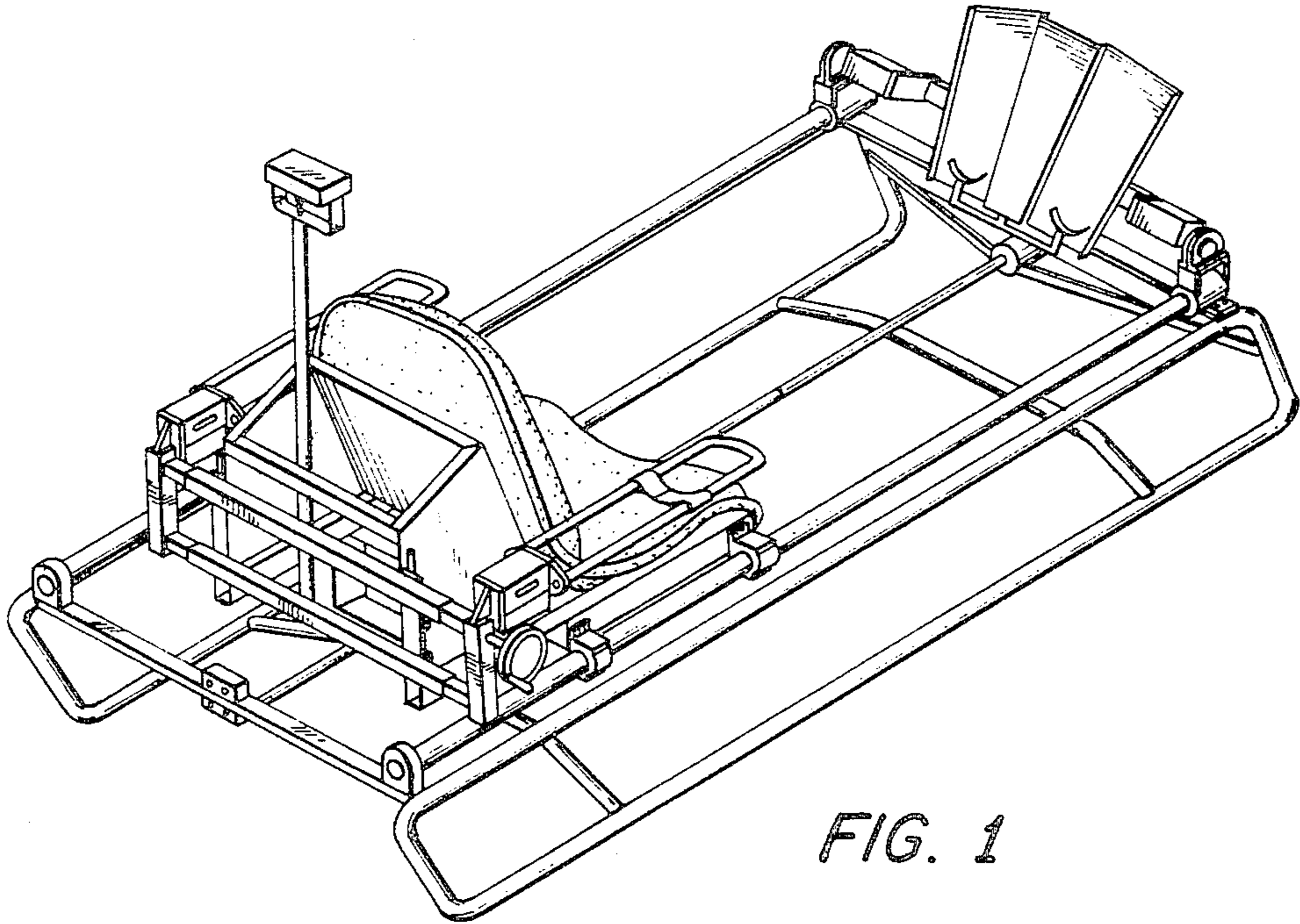


FIG. 1

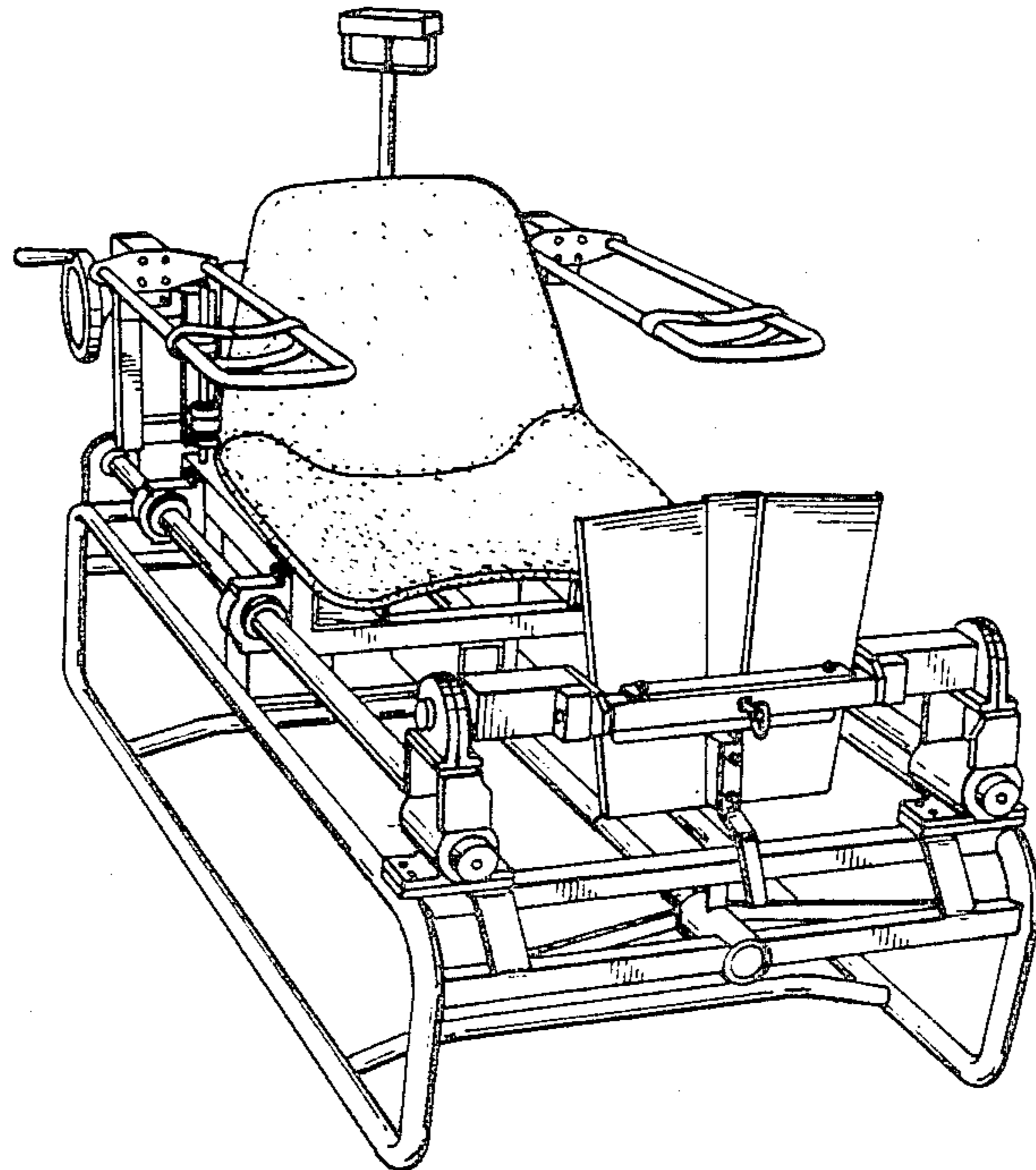


FIG. 2

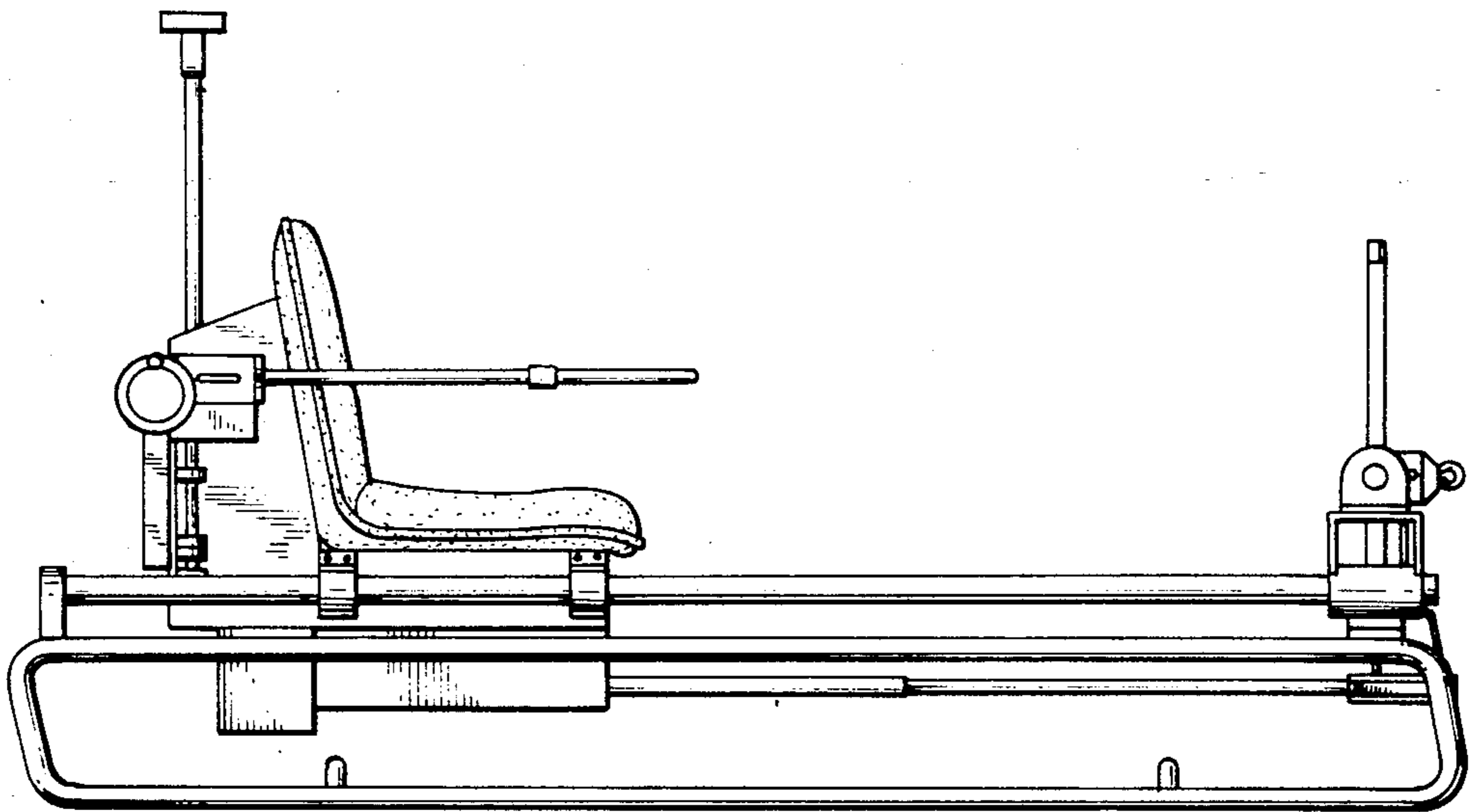


FIG. 3

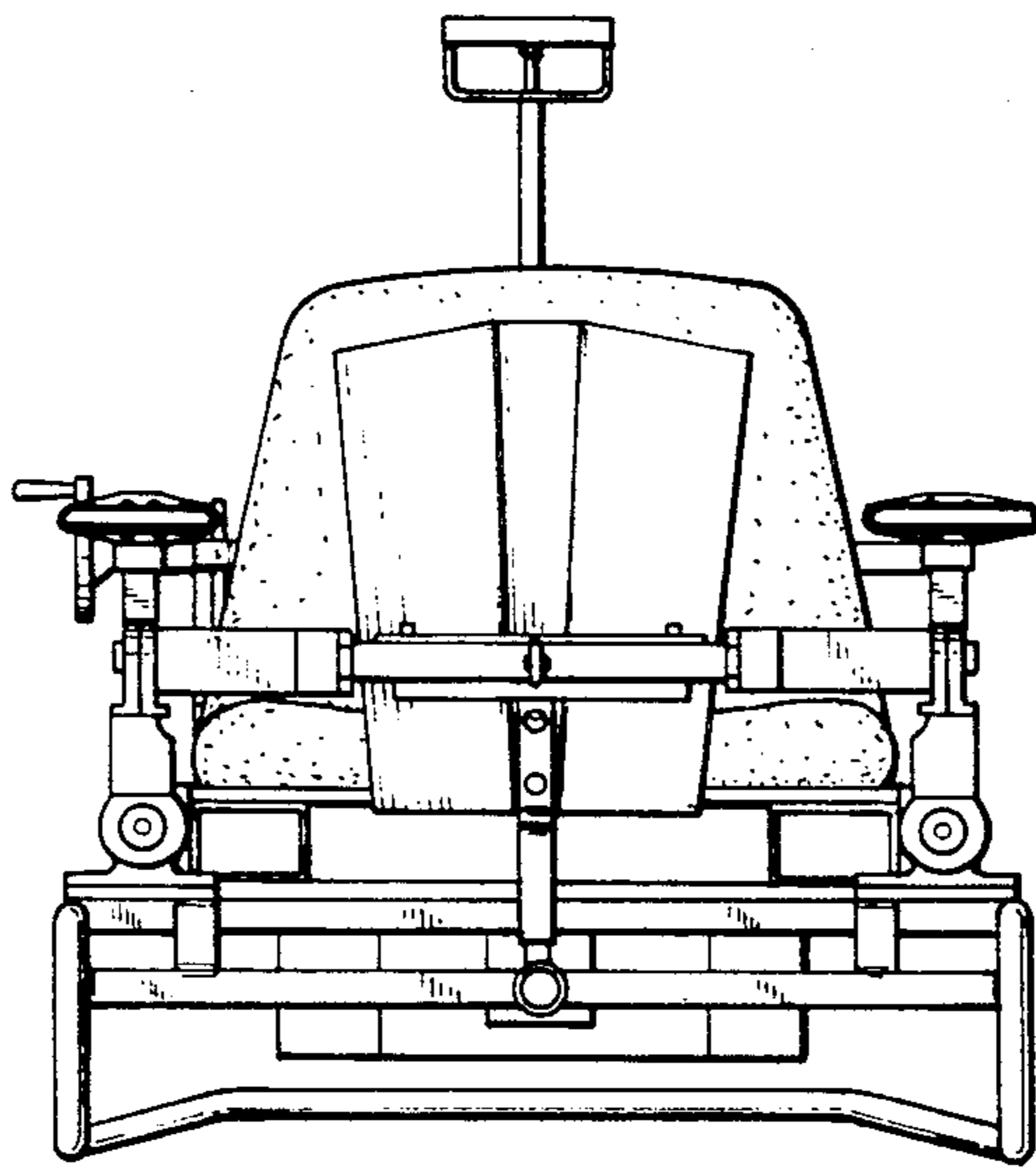


FIG. 4