

[54] ACTIVITY TOY

[75] Inventor: Yuichi Tateyama, Tokyo, Japan

[73] Assignee: Kawada Co., Ltd., Tokyo, Japan

[**] Term: 14 Years

[21] Appl. No.: 532,782

[22] Filed: Sep. 16, 1983

[30] Foreign Application Priority Data

Jun. 15, 1983 [JP] Japan 58-25475

[52] U.S. Cl. D21/64; D21/59

[58] Field of Search D21/59, 63, 64, 65; D19/59, 60, 62, 64; 434/258, 259, 260; 446/227, 236, 396, 397, 404, 489, 490

[56] References Cited

U.S. PATENT DOCUMENTS

D. 187,218 2/1960 McHugh D19/59
D. 197,339 1/1964 Jaffe D19/64

OTHER PUBLICATIONS

Child Guidance Flier, 1959, Item #515 "Junior Turn-A-Gear".

Child Guidance Flier, 1962, Item #100 "Keys of Learning".

Primary Examiner—Charles A. Rademaker
Attorney, Agent, or Firm—Don B. Finkelstein

[57] CLAIM

The ornamental design for activity toy, substantially as shown and described.

DESCRIPTION

FIG. 1 is a perspective view of an activity toy showing my new design;

FIG. 2 is a top plan view thereof;

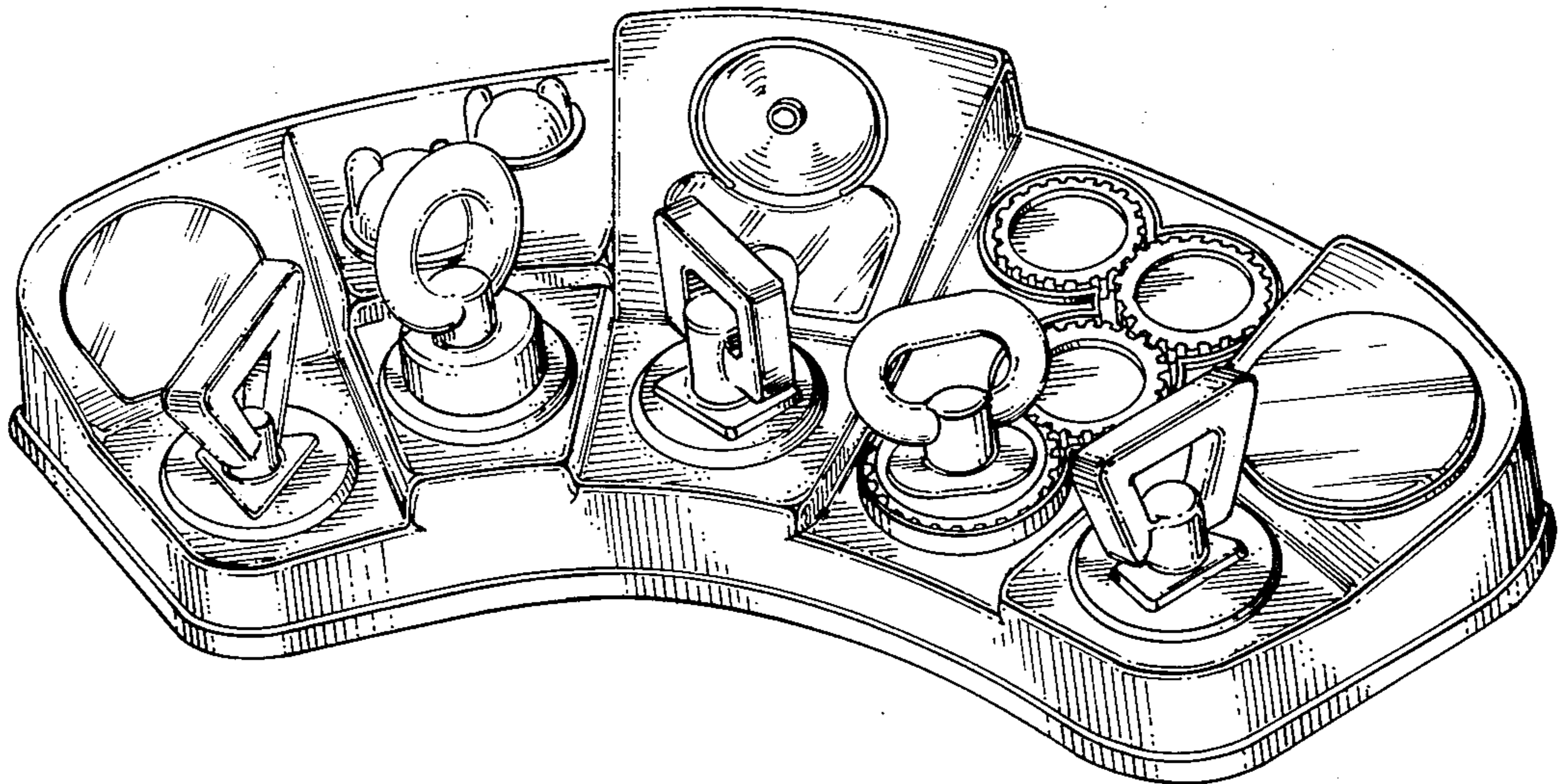
FIG. 3 is a front elevational view thereof;

FIG. 4 is a rear elevational view thereof;

FIG. 5 is a left side elevational view thereof;

FIG. 6 is a right side elevational view thereof; and

FIG. 7 is a bottom plan view thereof.



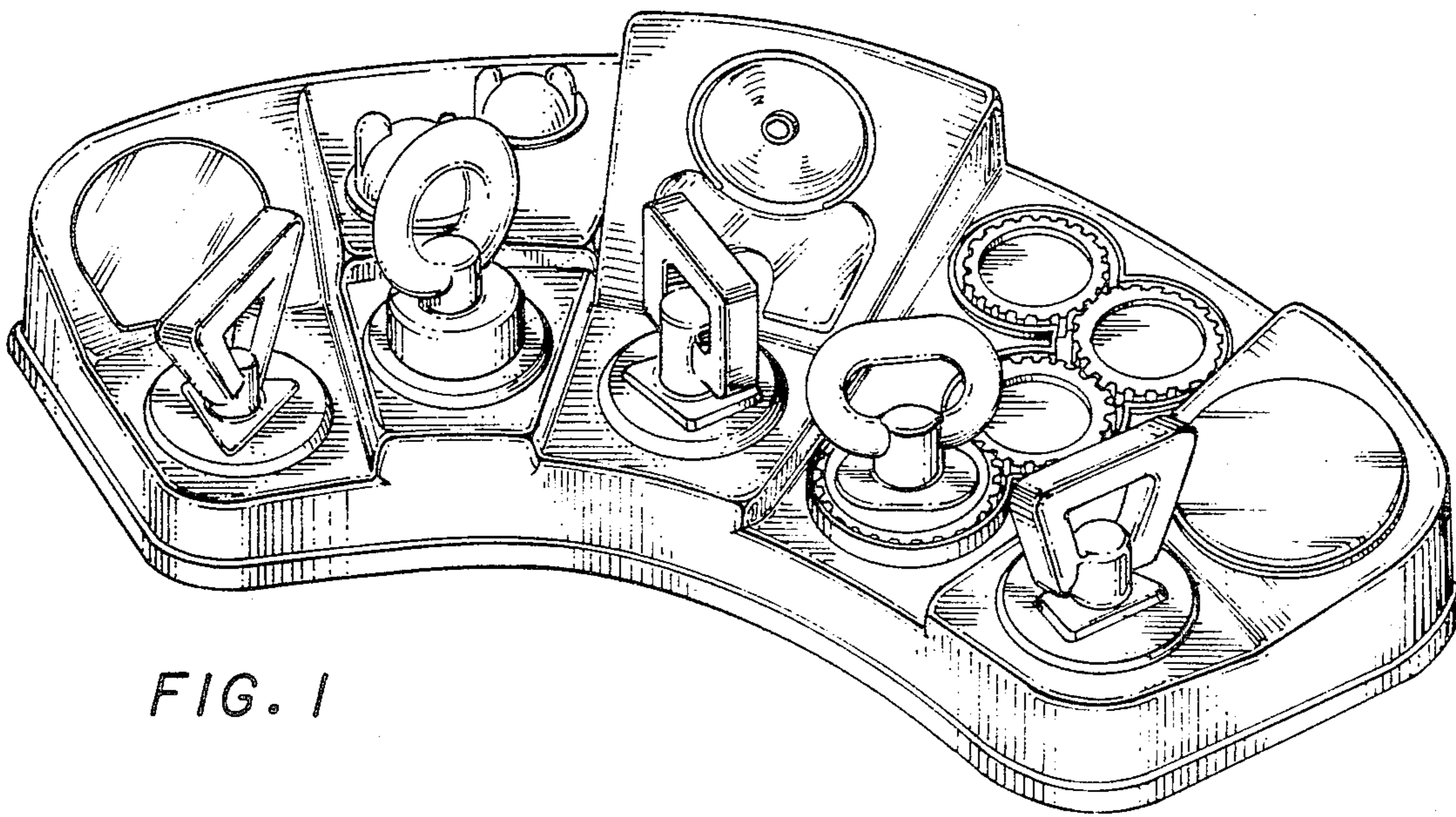


FIG. 1

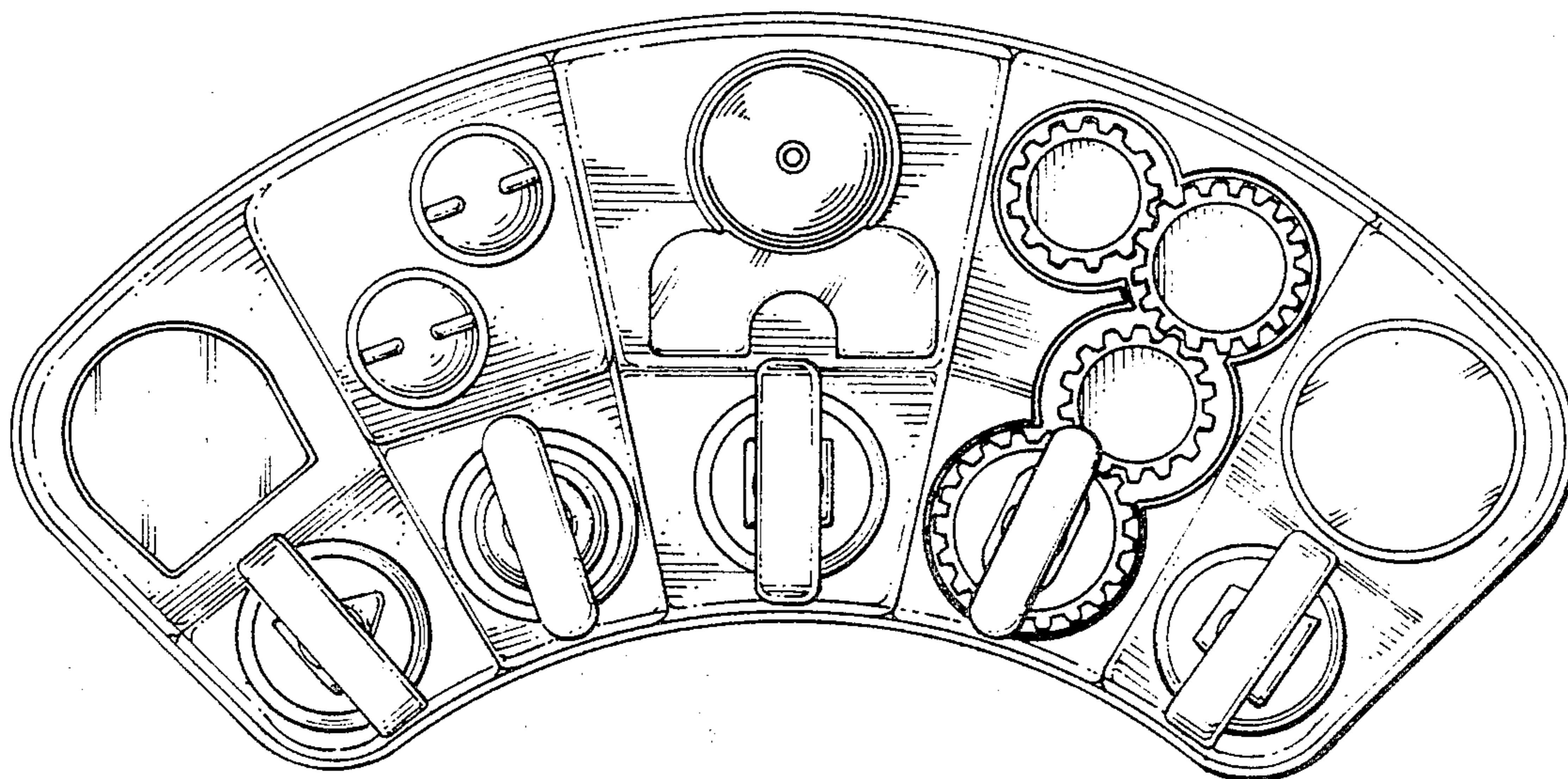


FIG. 2

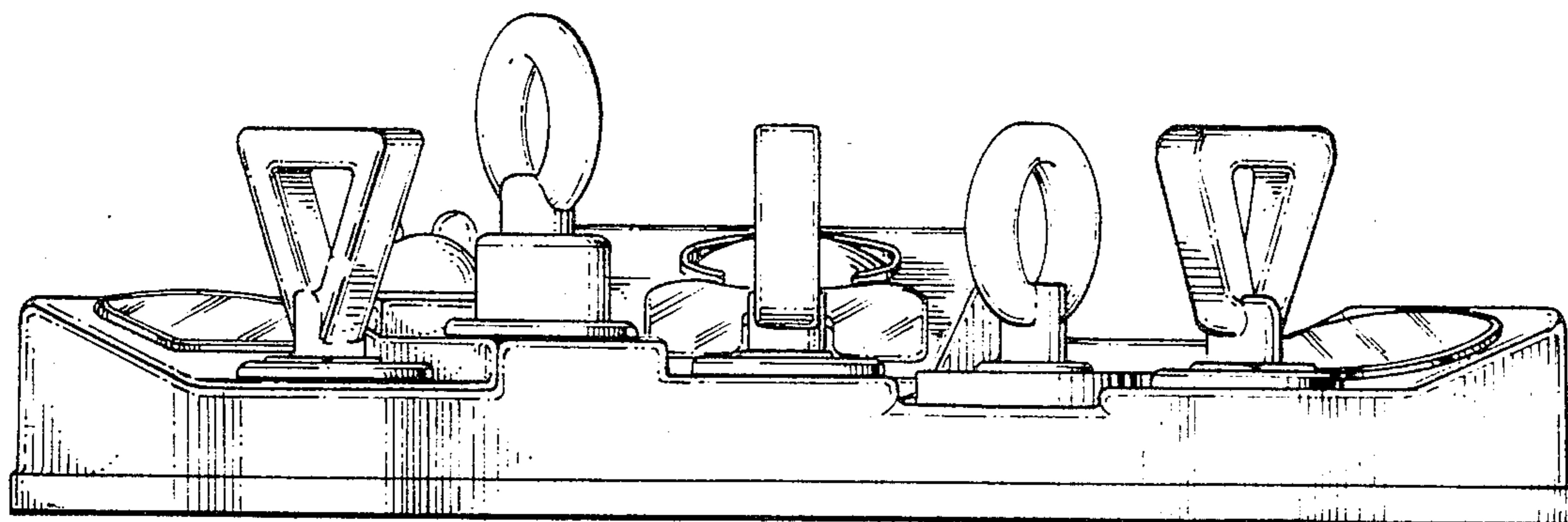


FIG. 3

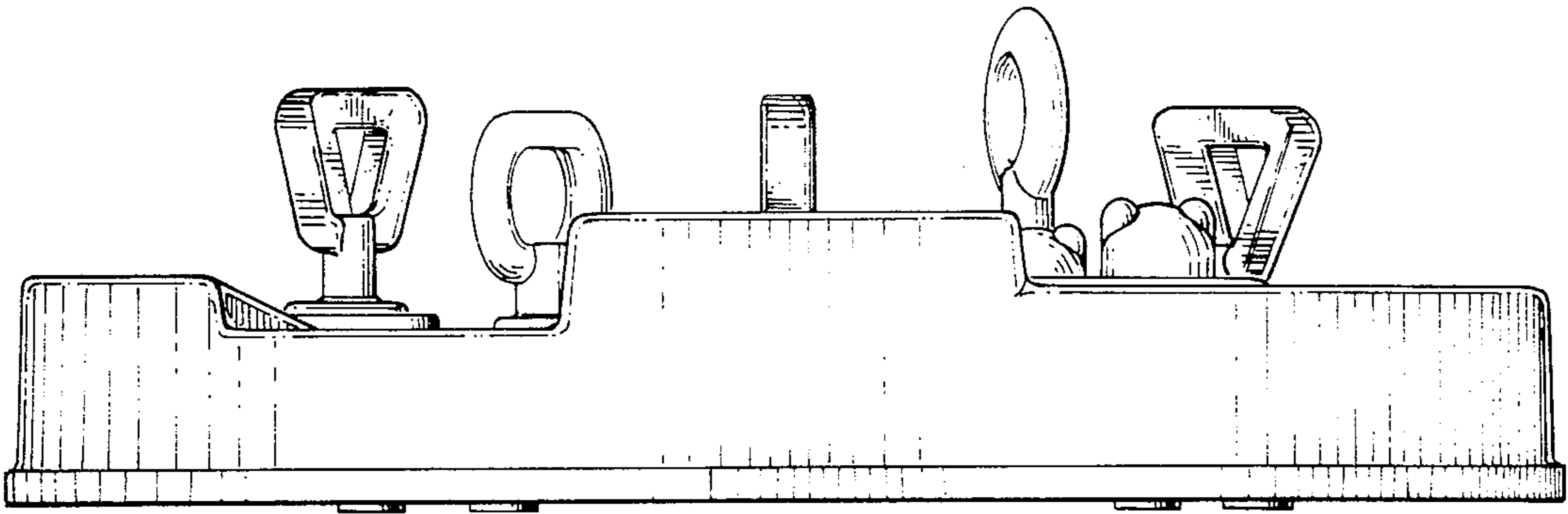


FIG. 4

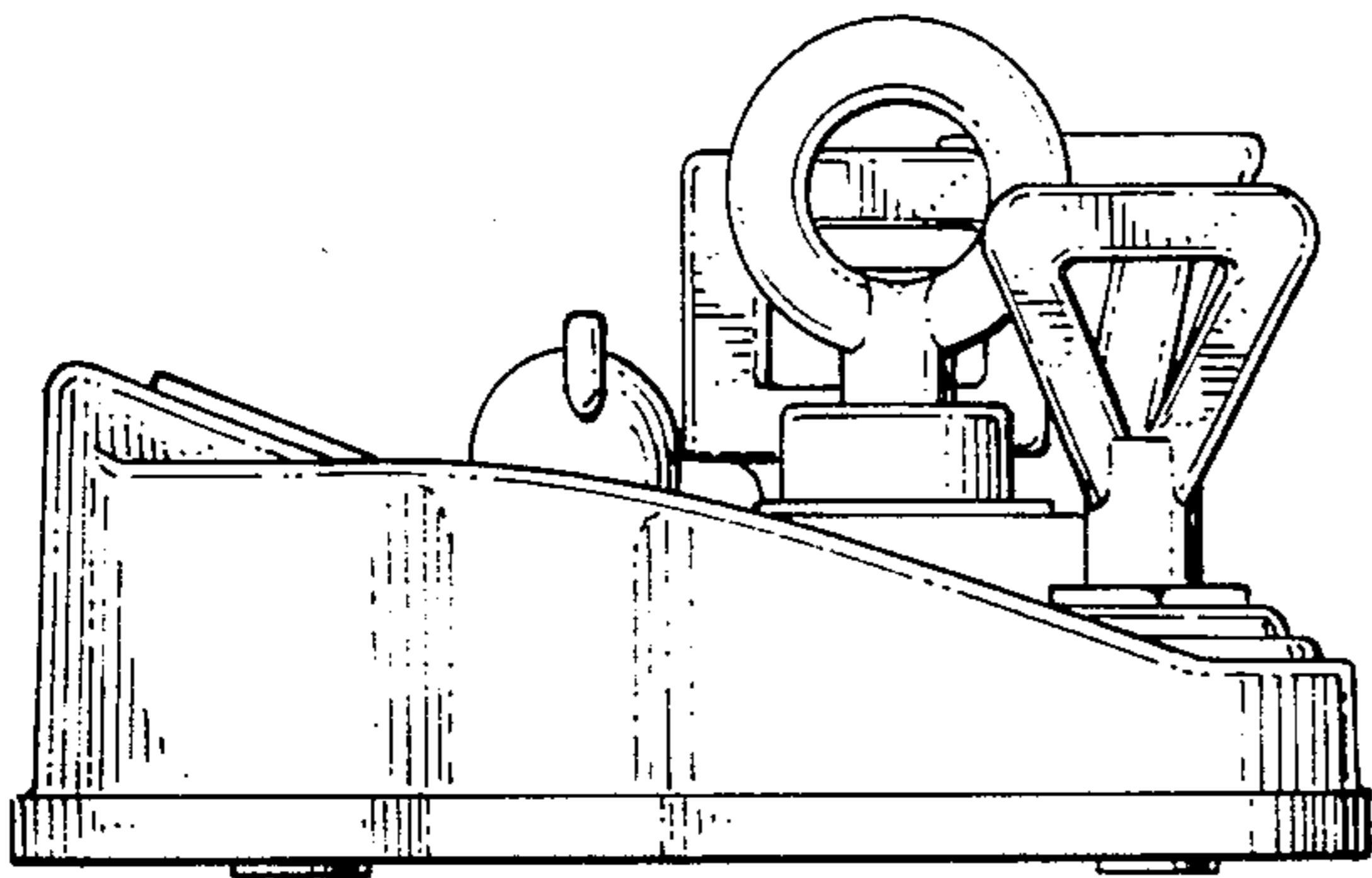


FIG. 5

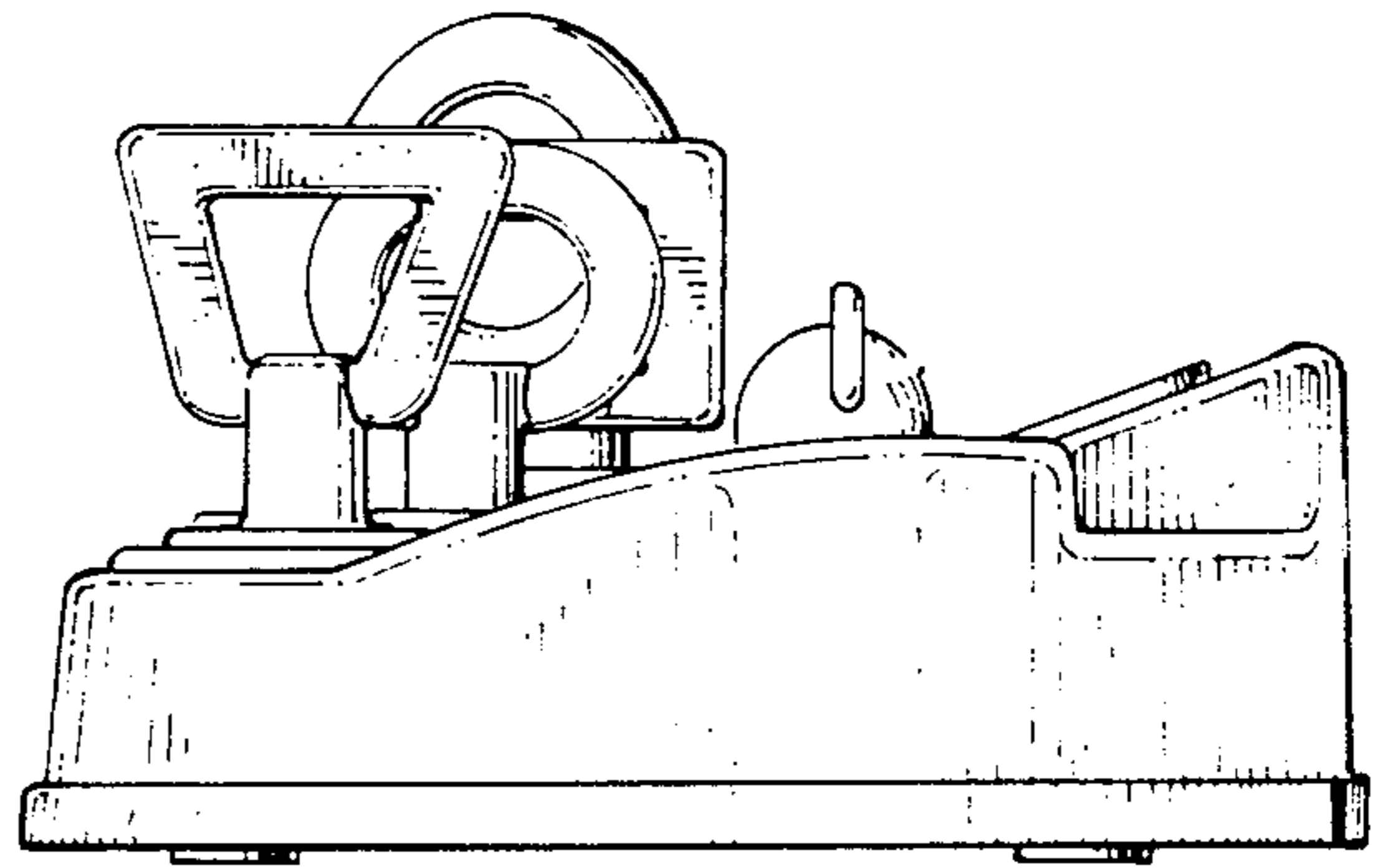


FIG. 6

FIG. 7

