

[54] **ACTIVITY TOY**

[75] Inventor: Keiji Iwabuchi, Tokyo, Japan  
[73] Assignee: Kawada Co., Ltd., Tokyo, Japan  
[\*\*] Term: 14 Years  
[21] Appl. No.: 532,781  
[22] Filed: Sep. 16, 1983

[30] **Foreign Application Priority Data**

Jun. 15, 1983 [JP] Japan ..... 58-25476  
[52] U.S. Cl. .... D21/64; D21/59  
[58] Field of Search ..... D21/59, 63, 64, 65;  
D19/59, 60, 62, 64; 434/258, 259, 260; 446/227,  
236, 396, 404, 489, 490

[56] **References Cited**

**U.S. PATENT DOCUMENTS**

D. 140,614 3/1945 Muntz ..... D21/59  
D. 236,141 7/1975 Snyder ..... D21/59

D. 262,549 1/1982 Clanton ..... D21/59

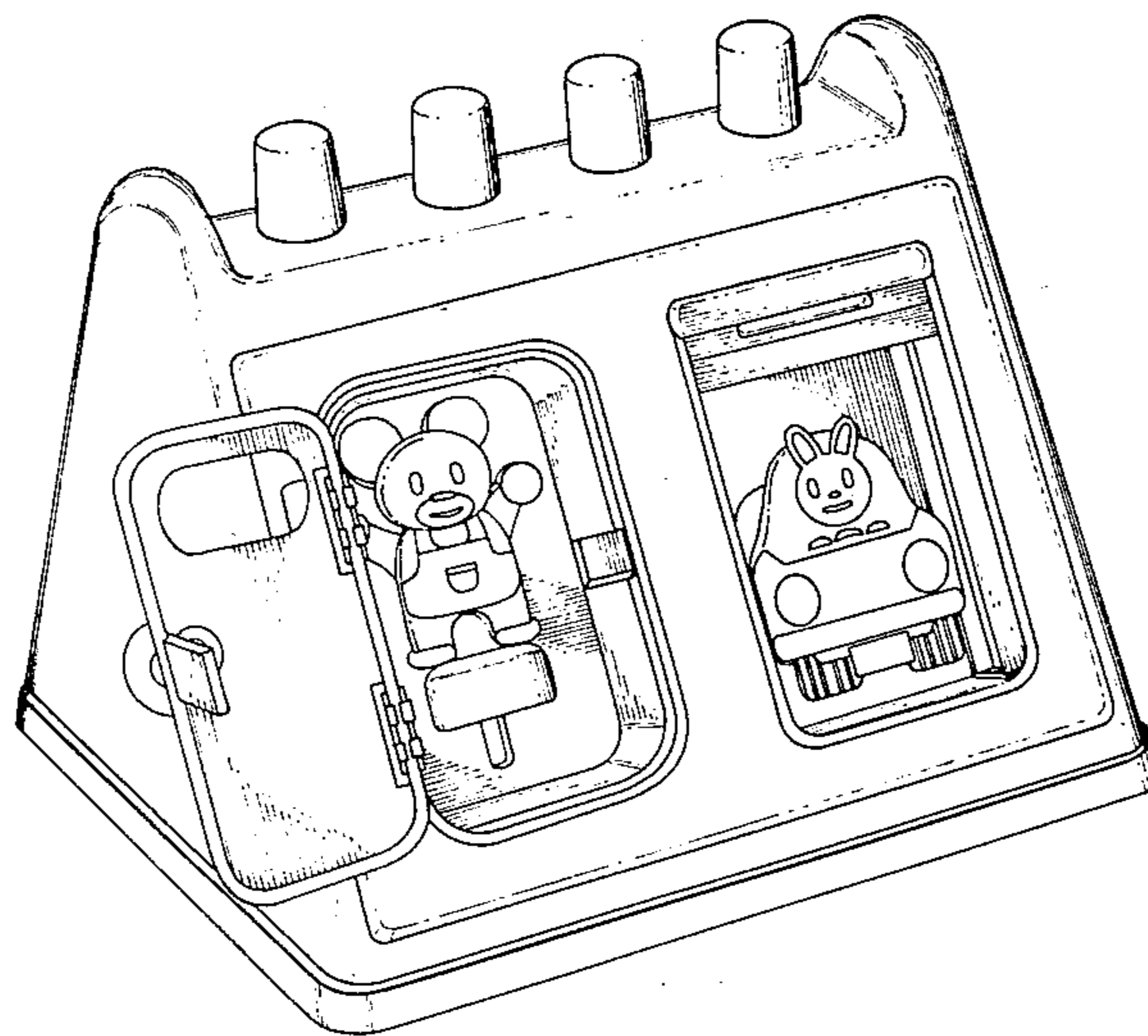
*Primary Examiner*—Charles A. Rademaker  
*Attorney, Agent, or Firm*—Don B. Finkelstein

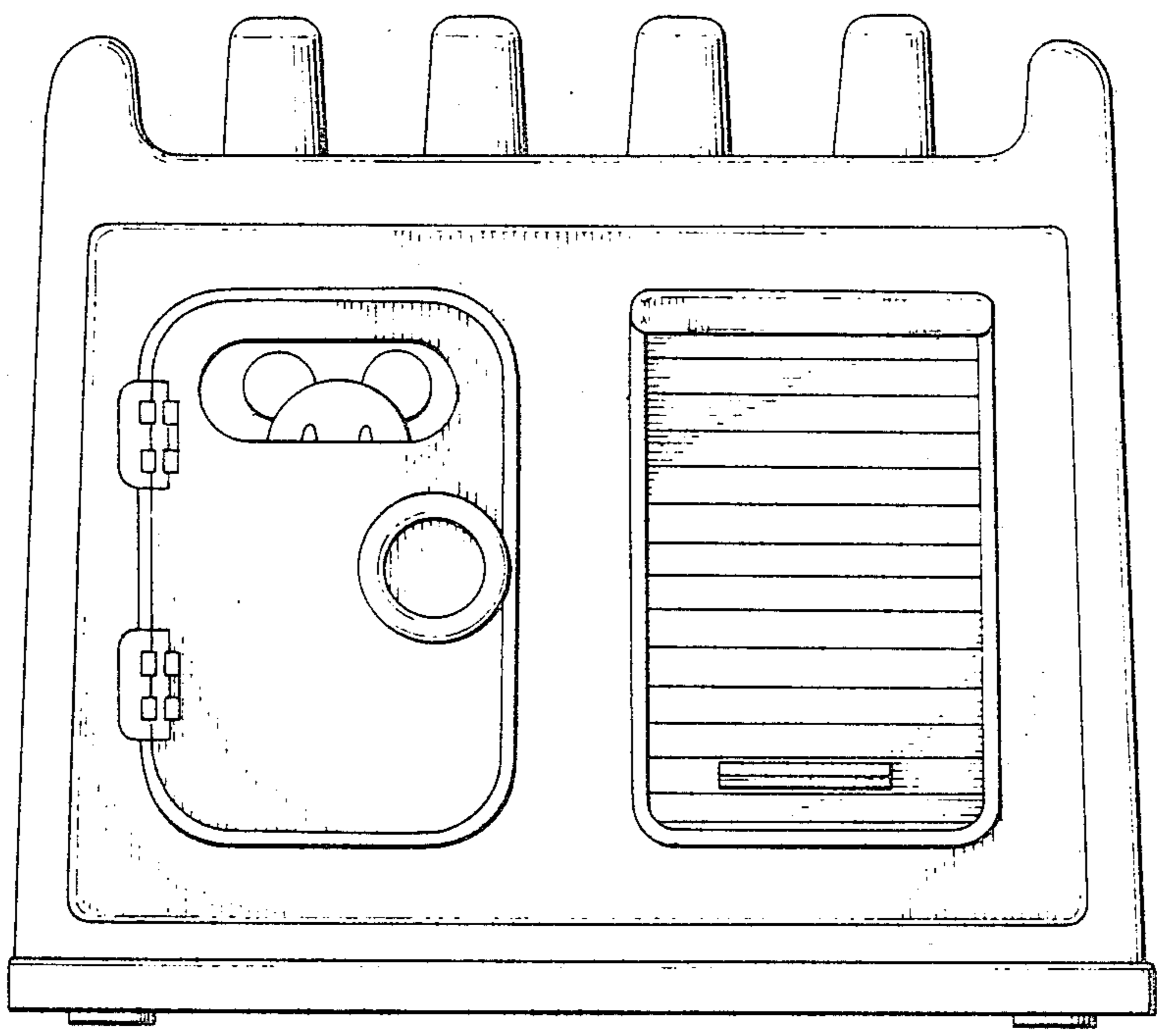
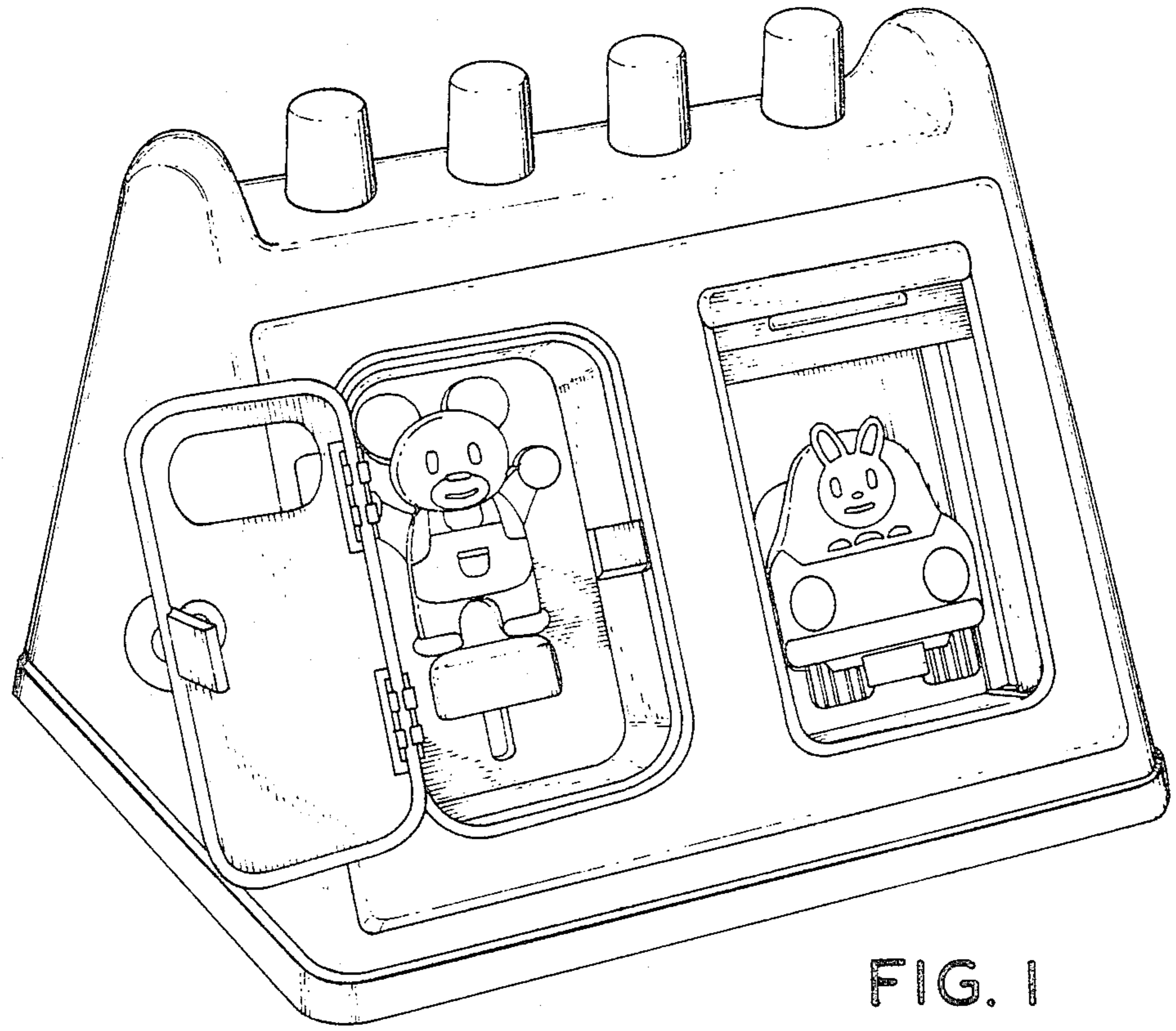
[57] **CLAIM**

The ornamental design for an activity toy, substantially as shown and described.

**DESCRIPTION**

FIG. 1 is a perspective view of an activity toy showing my new design;  
FIG. 2 is a front elevational view thereof showing the doors in a closed position;  
FIG. 3 is a rear perspective view thereof showing the doors in an open position;  
FIG. 4 is a rear elevational view thereof showing the doors in a closed position;  
FIG. 5 is a top plan view thereof;  
FIG. 6 is a bottom plan view thereof;  
FIG. 7 is a left side elevational view thereof; and  
FIG. 8 is a right side elevational view thereof.





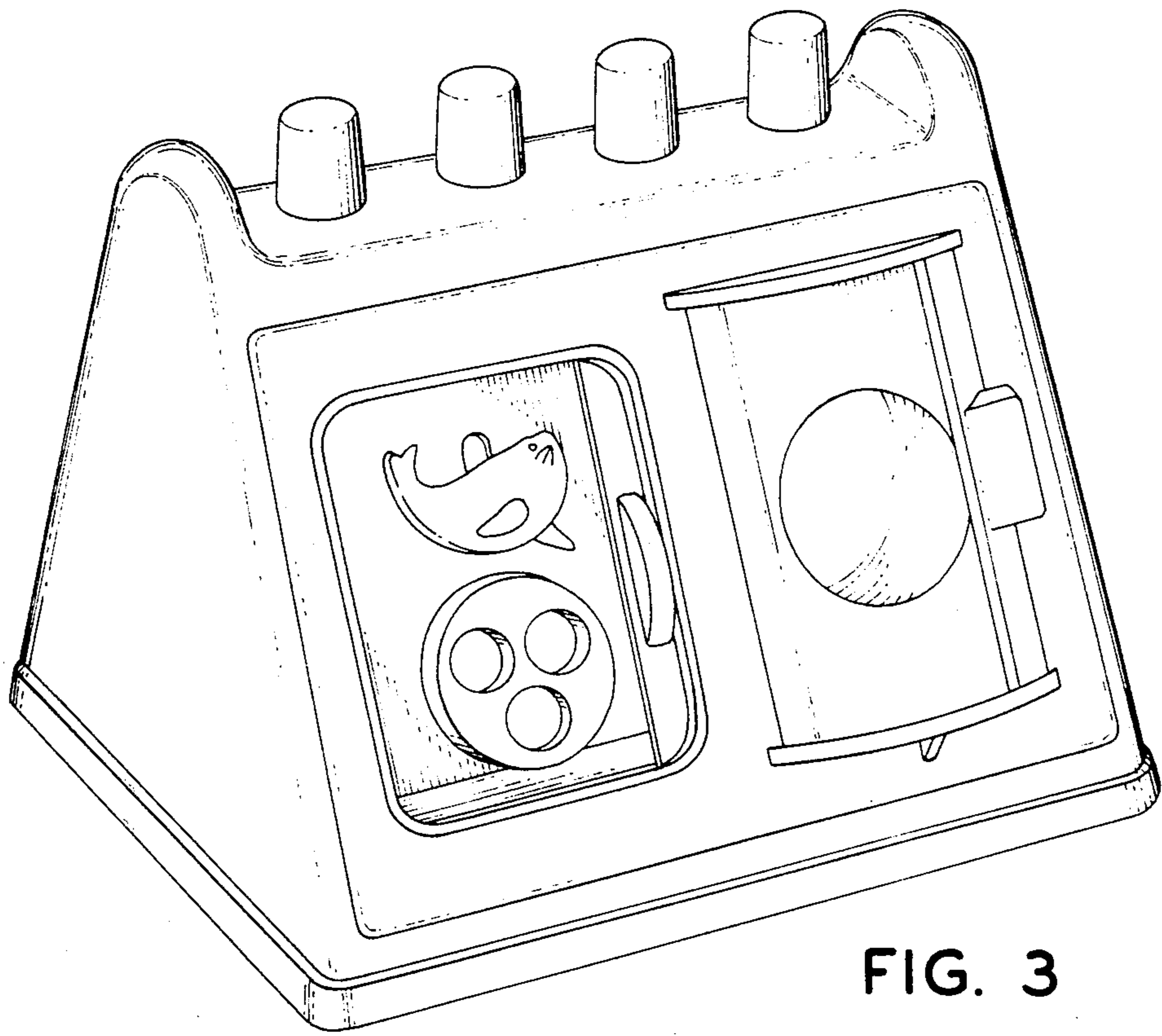


FIG. 3

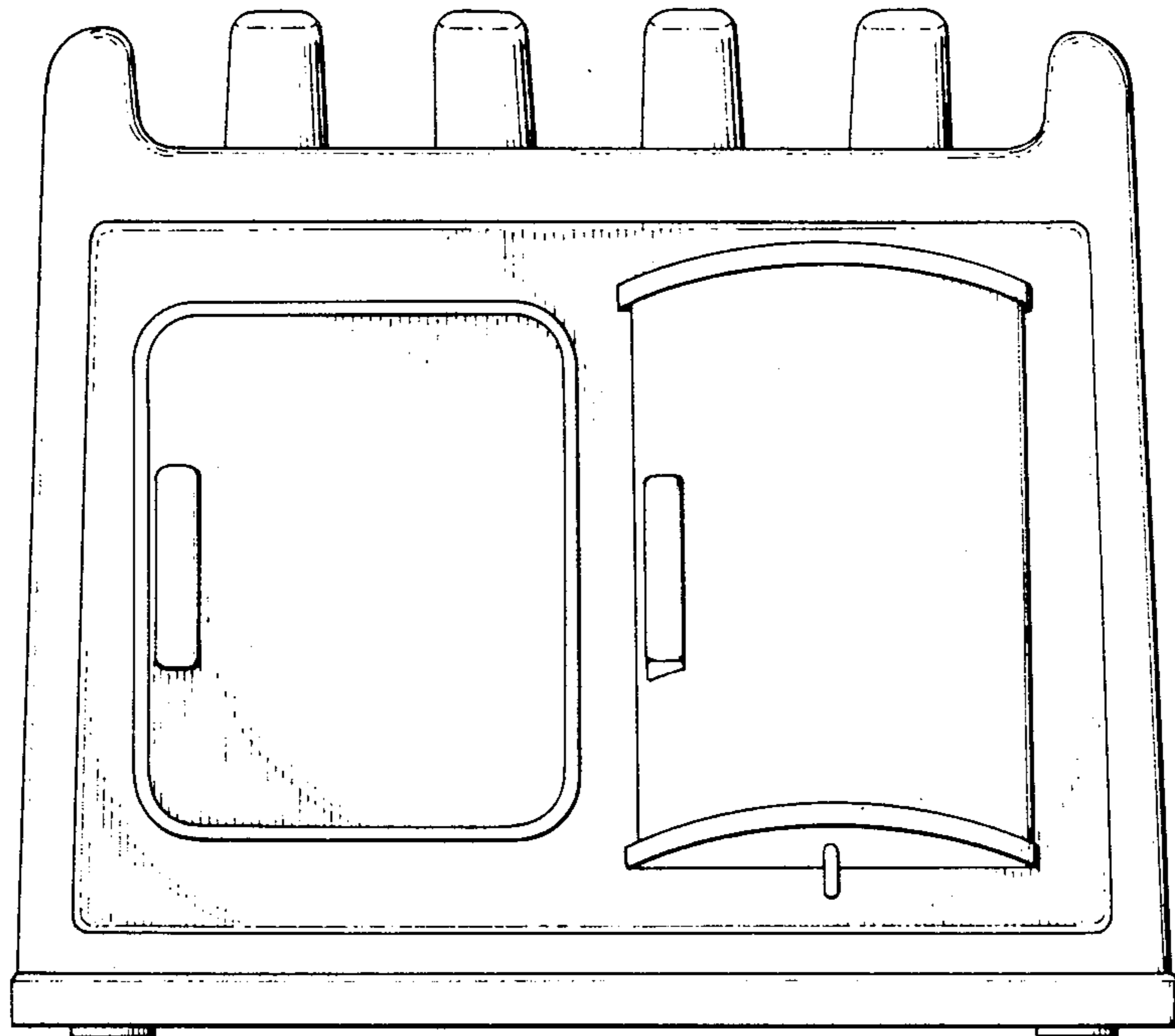


FIG. 4



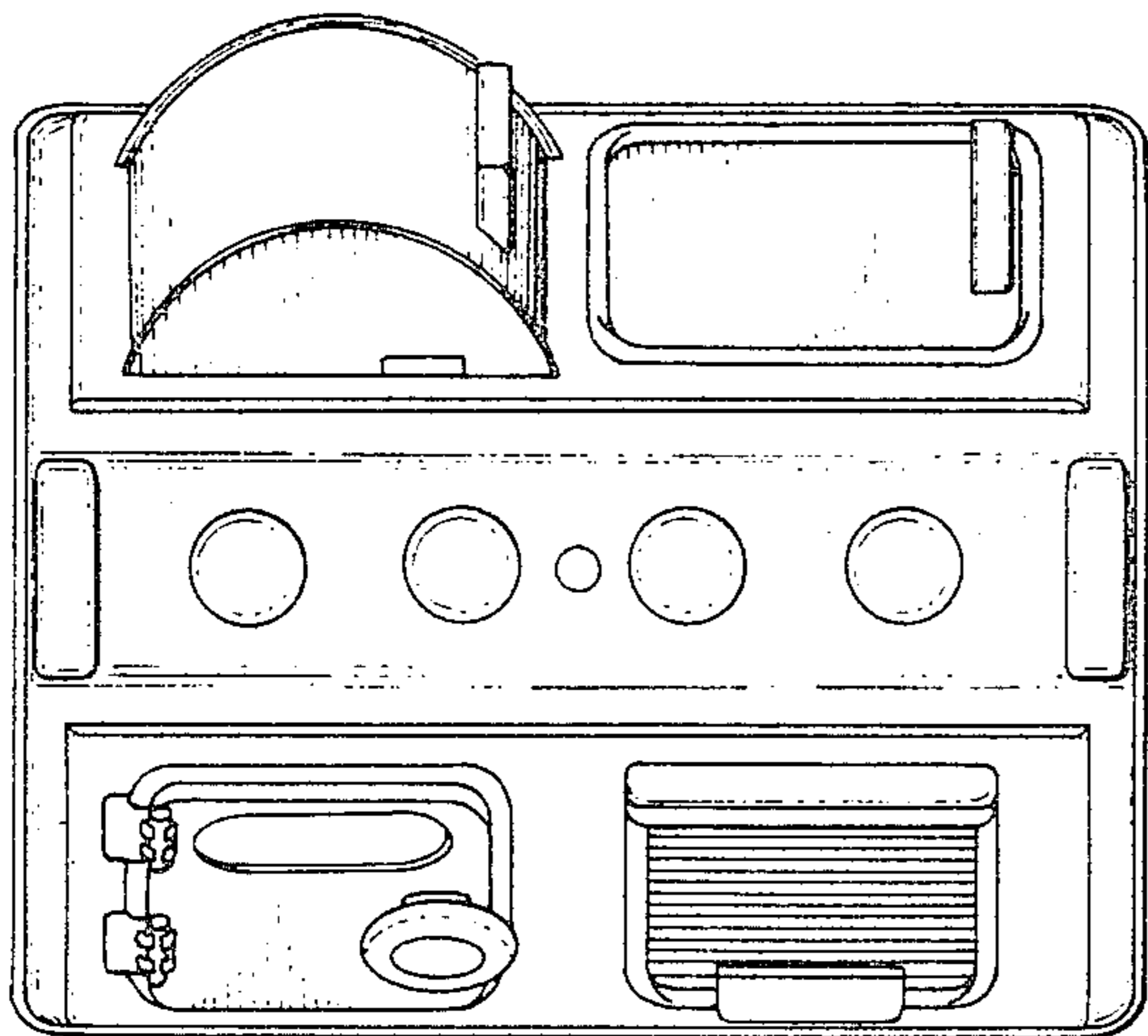


FIG. 5

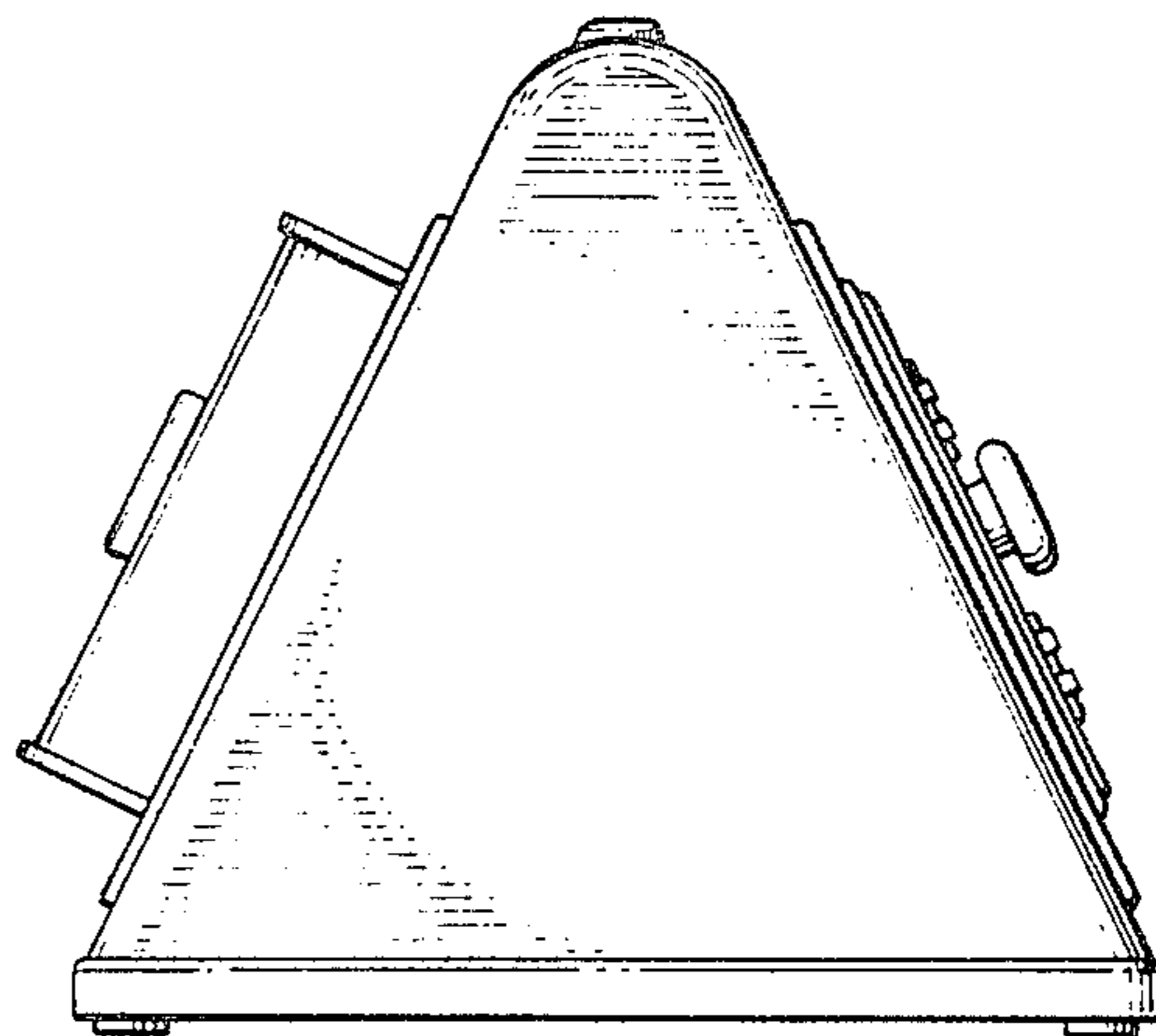


FIG. 6

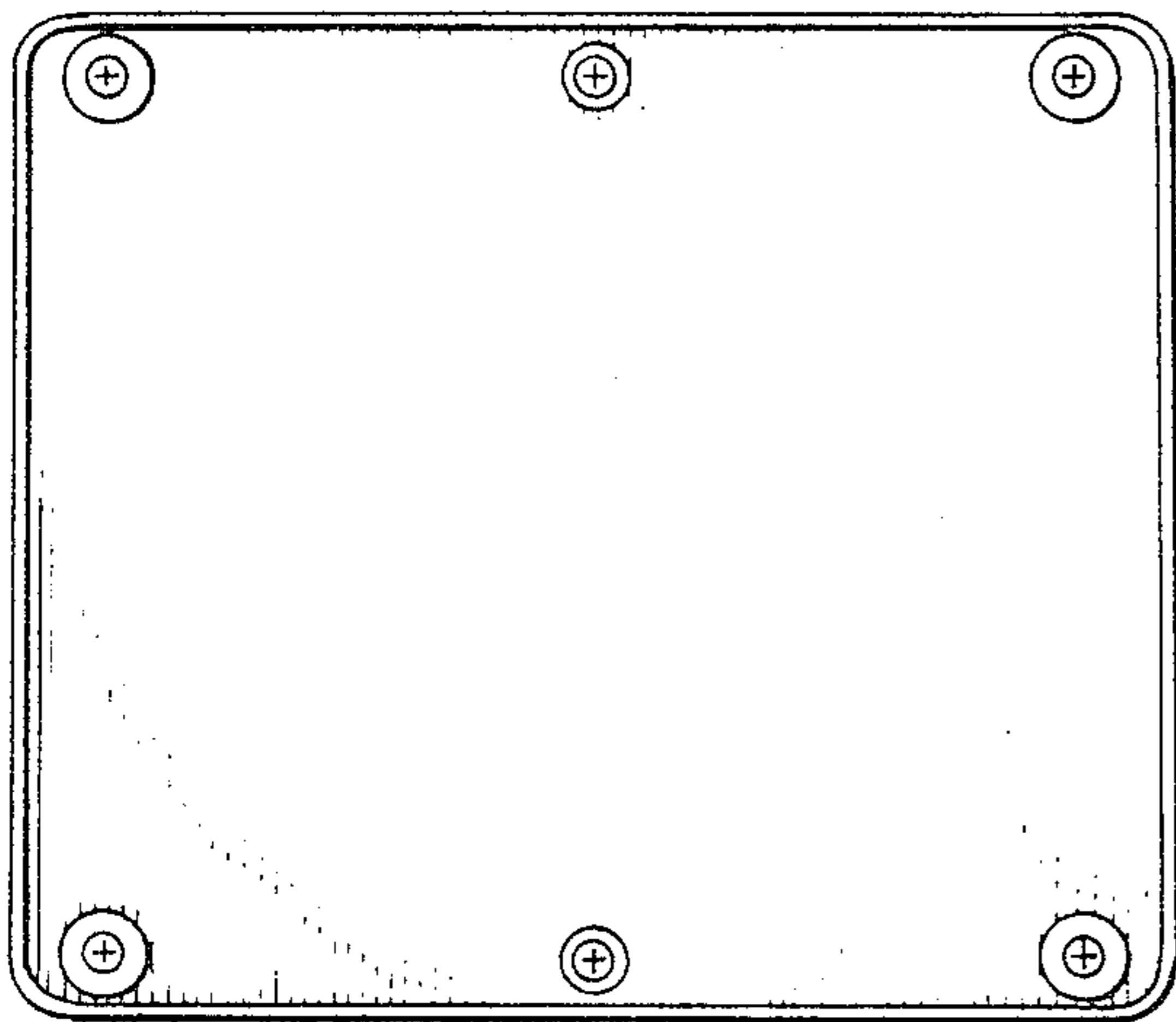


FIG. 7

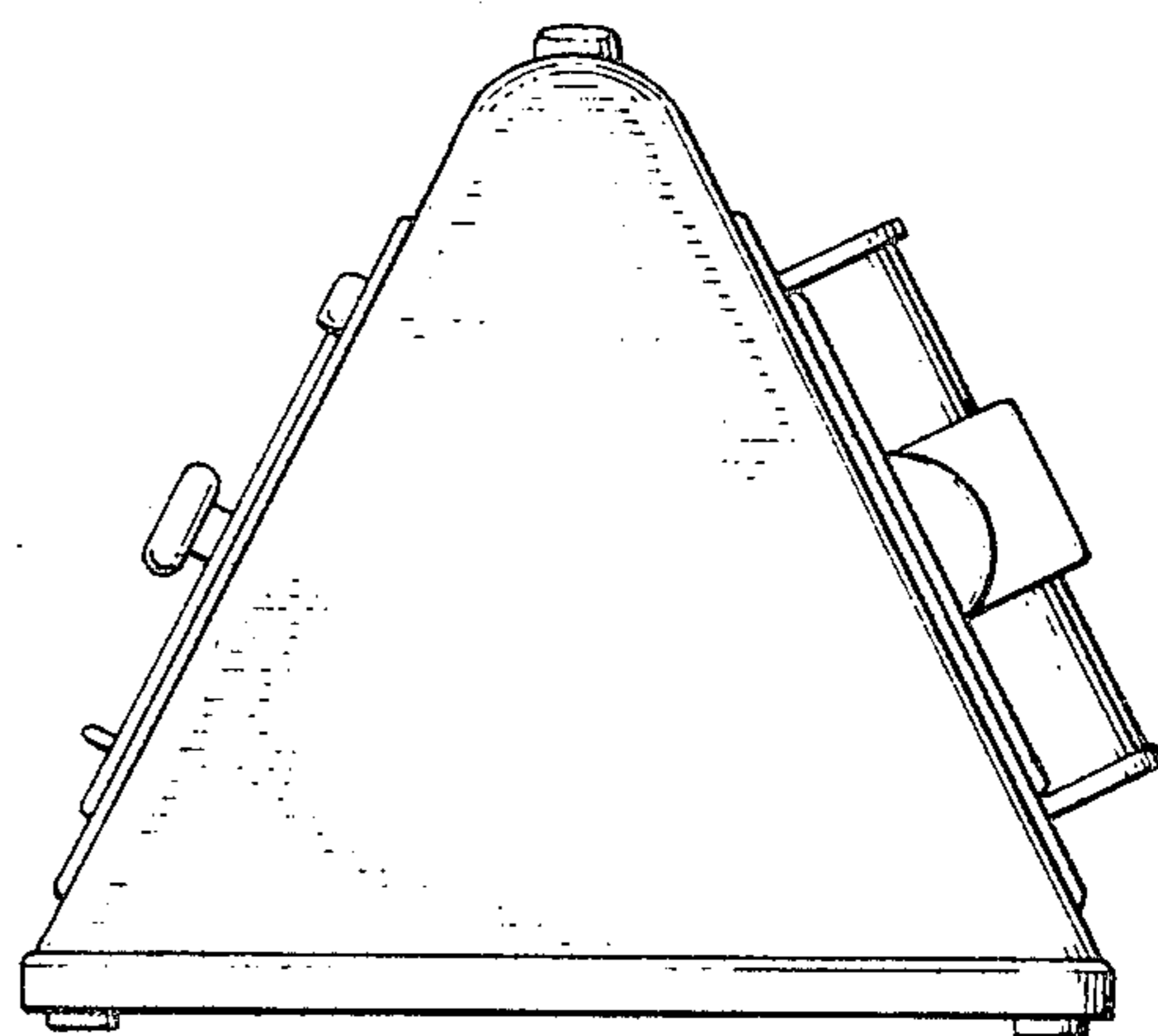


FIG. 8