

[54] CONTROL PANEL FOR AN ELECTRIC GUITAR OR THE LIKE

[76] Inventor: C. Leo Fender, 1510 Dana Pl., Fullerton, Calif. 92635

[**] Term: 14 Years

[21] Appl. No.: 497,246

[22] Filed: May 23, 1983

[52] U.S. Cl. D17/20

[58] Field of Search D17/14, 15, 18-20; 84/267

©'82, p. 57, 1981 G&I F-100 Control Panel; p. 62, 1966 & '67. Musiclander Control Panel; p. 71, 1969 Telecaster Bass Control Panel; Color Plate #22, Fender Music Man Prototype Control Panel; & p. 285, Music Man Sabre II, 1980, Control Panel.

Primary Examiner—Jane E. Corrigan
 Attorney, Agent, or Firm—Spensley, Horn, Jubas & Lubitz

[56] **References Cited**

U.S. PATENT DOCUMENTS

D. 256,803 9/1980 Fender D17/20

OTHER PUBLICATIONS

American Guitars, T. Wheeler, Harper & Row, NY,

[57] **CLAIM**

The ornamental design for a control panel for an electric guitar or the like, as shown.

DESCRIPTION

FIG. 1 is a perspective view of a control panel for an electric guitar or the like showing my new design; and FIG. 2 is a top plan view.

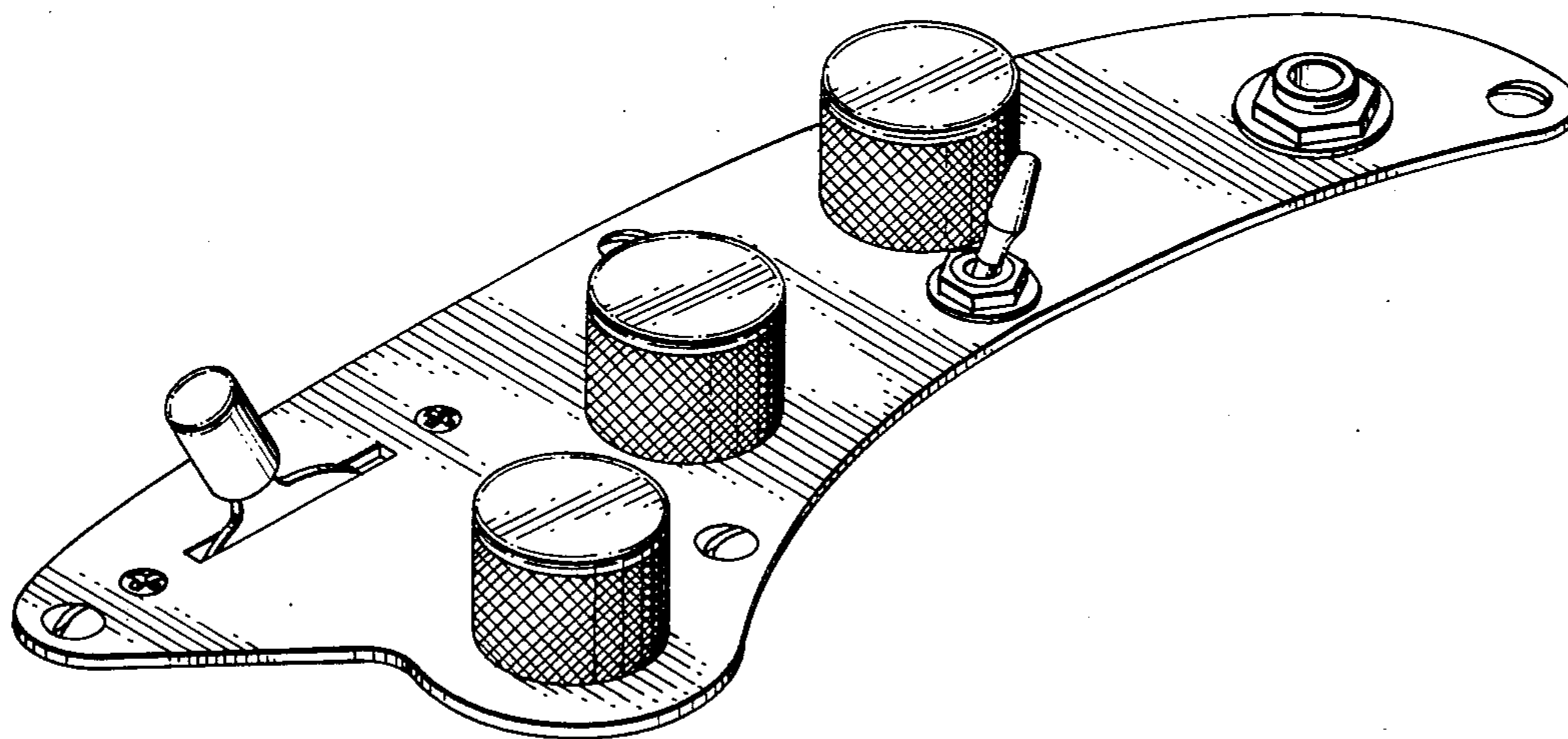


FIG. 1.

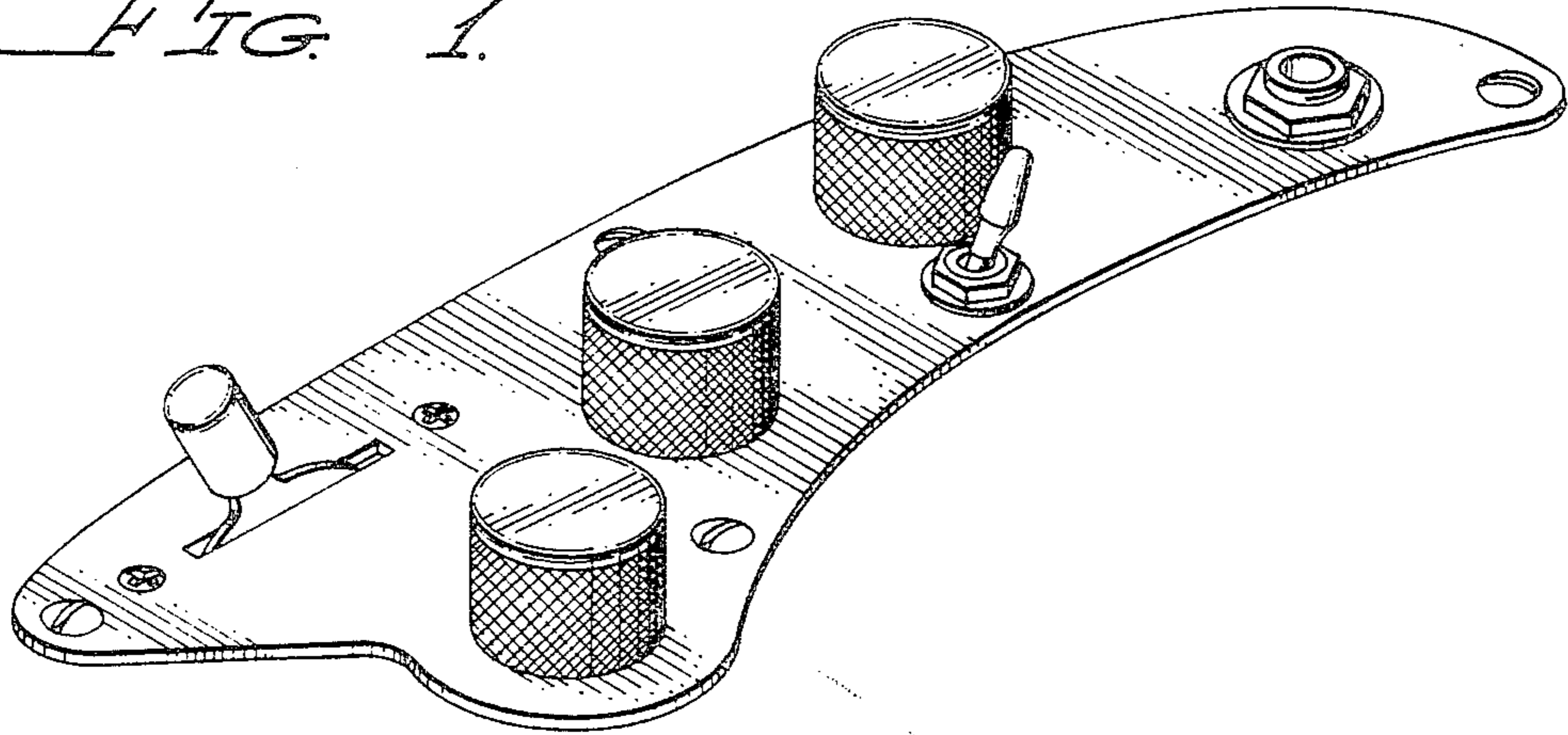


FIG. 2.

