

[54] **PAIR OF SUNGLASSES OR THE LIKE**

[75] **Inventor: Trudy H. Zancaner, Treviso, Italy**

[73] **Assignee: Bausch & Lomb Incorporated, Rochester, N.Y.**

[\*\*] **Term: 14 Years**

[21] **Appl. No.: 474,955**

[22] **Filed: Mar. 14, 1983**

[52] **U.S. Cl. .... D16/102**

[58] **Field of Search ..... D16/100-123; 351/41, 51, 52, 89, 91, 93, 104, 103, 111-123**

[56] **References Cited**

**U.S. PATENT DOCUMENTS**

D. 263,058 2/1982 Johnsen ..... D16/117

**OTHER PUBLICATIONS**

The Optician—Mar. 6, 1964—Adverts XIV.  
Optical Journal—Review—Apr. 1, 1964 —p. 3.  
London Williamson Ltd—1981—“Rodina” Frame.

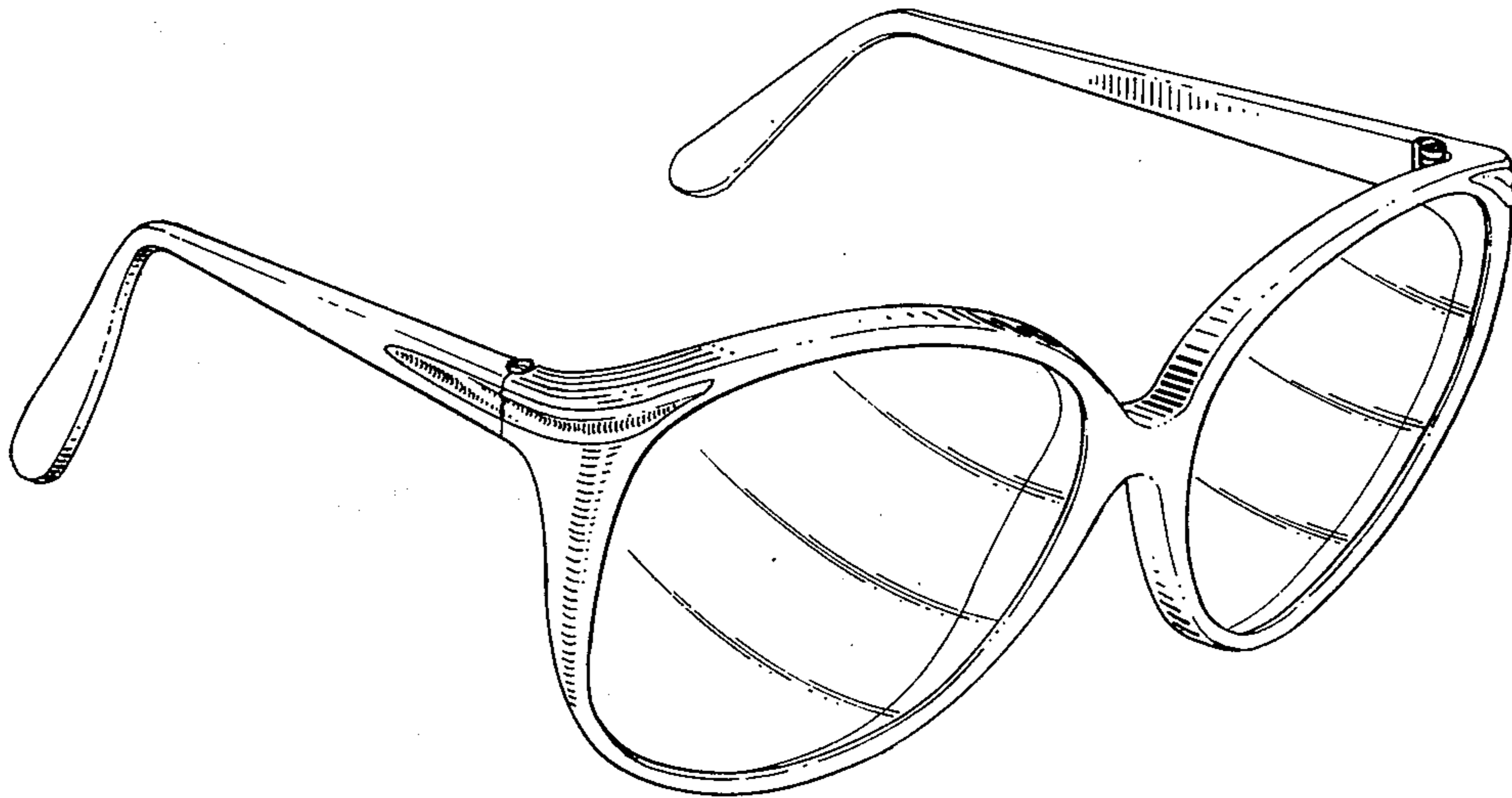
*Primary Examiner*—Susan J. Lucas  
*Assistant Examiner*—C. E. Heflin  
*Attorney, Agent, or Firm*—John S. Norton

[57] **CLAIM**

The ornamental design for a pair of sunglasses or the like, substantially as shown and described.

**DESCRIPTION**

FIG. 1 is a right front perspective view of pair of sunglasses or the like showing my new design;  
FIG. 2 is a front view thereof;  
FIG. 3 is a left side view thereof;  
FIG. 4 is a top plan view thereof; and  
FIG. 5 is an enlarged sectional view thereof, taken along line 5—5 of FIG. 3.



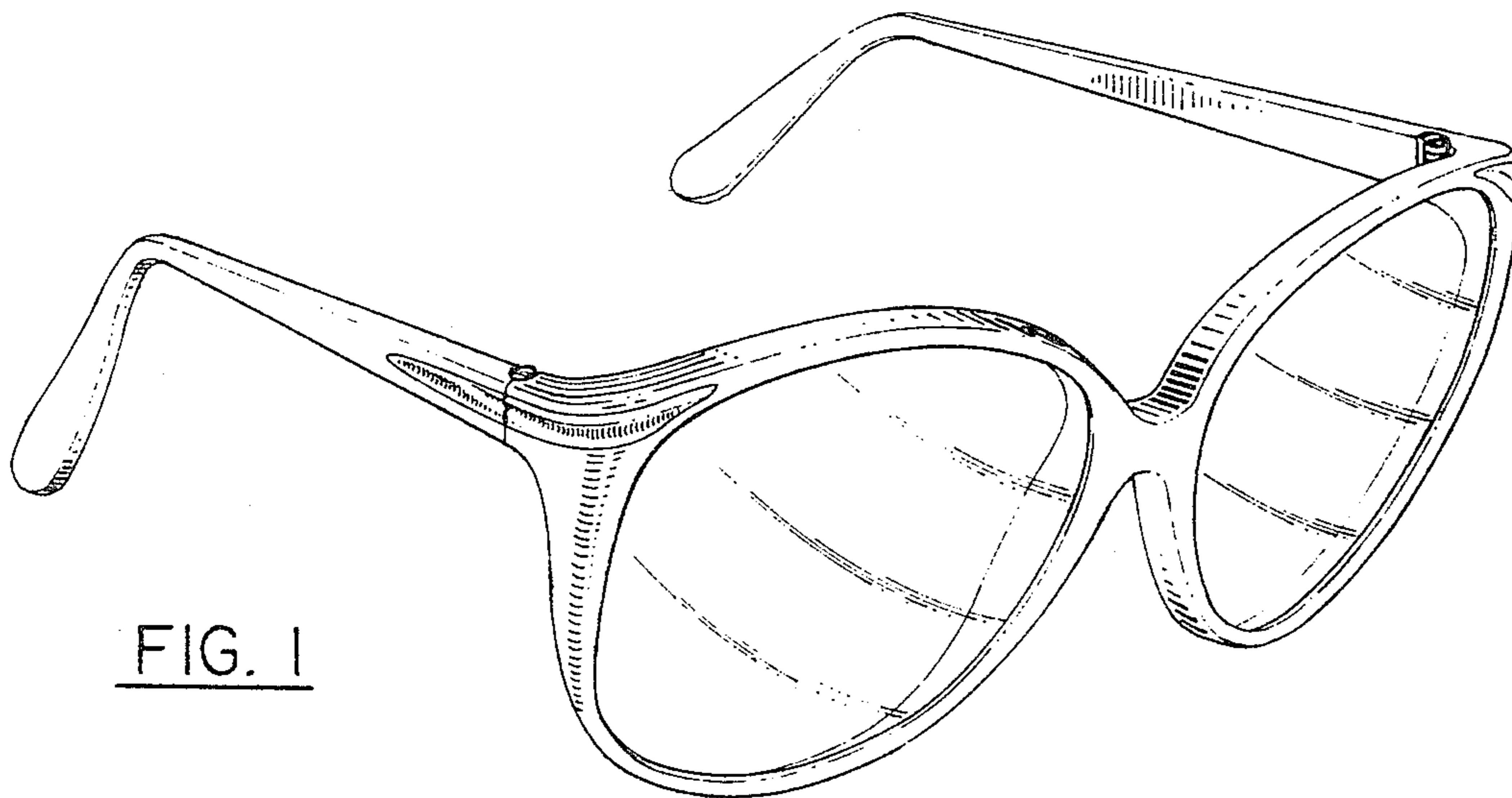


FIG. 1

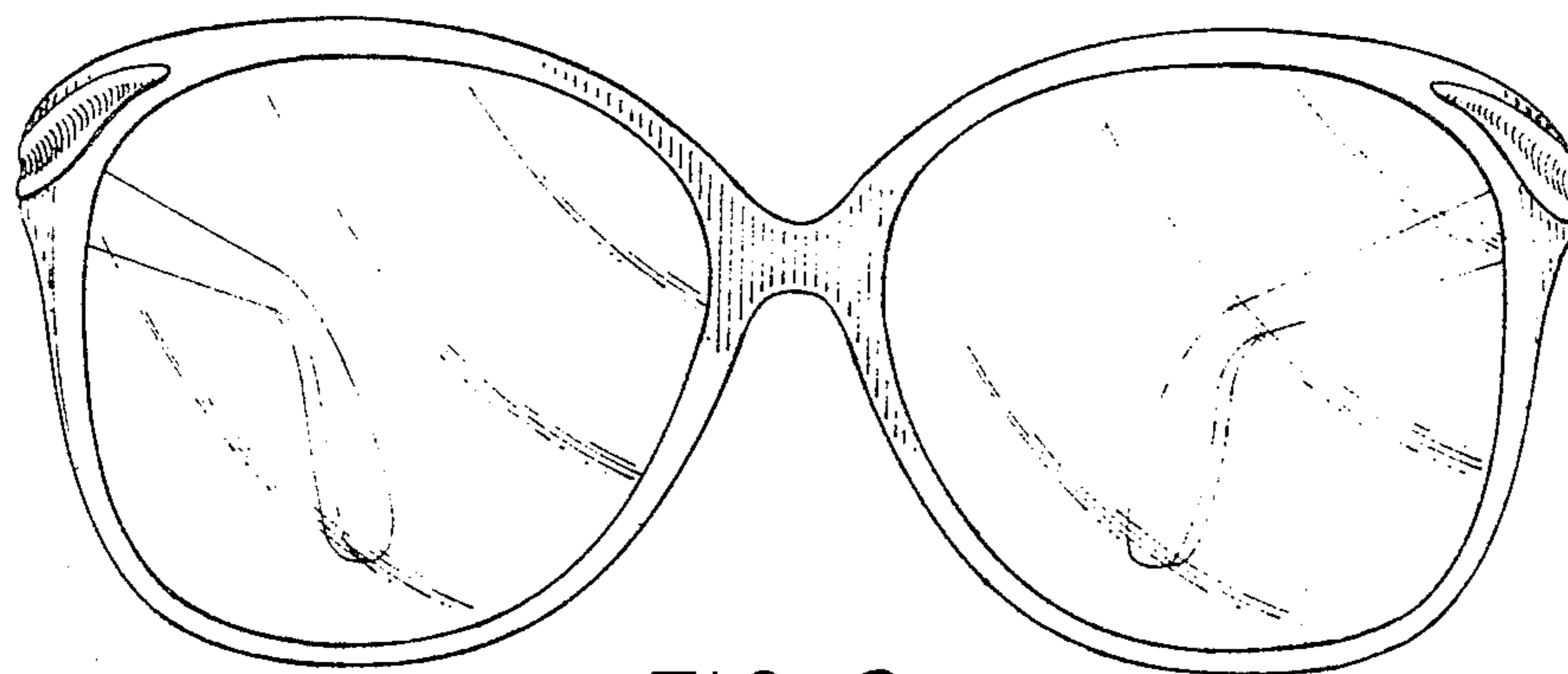


FIG. 2

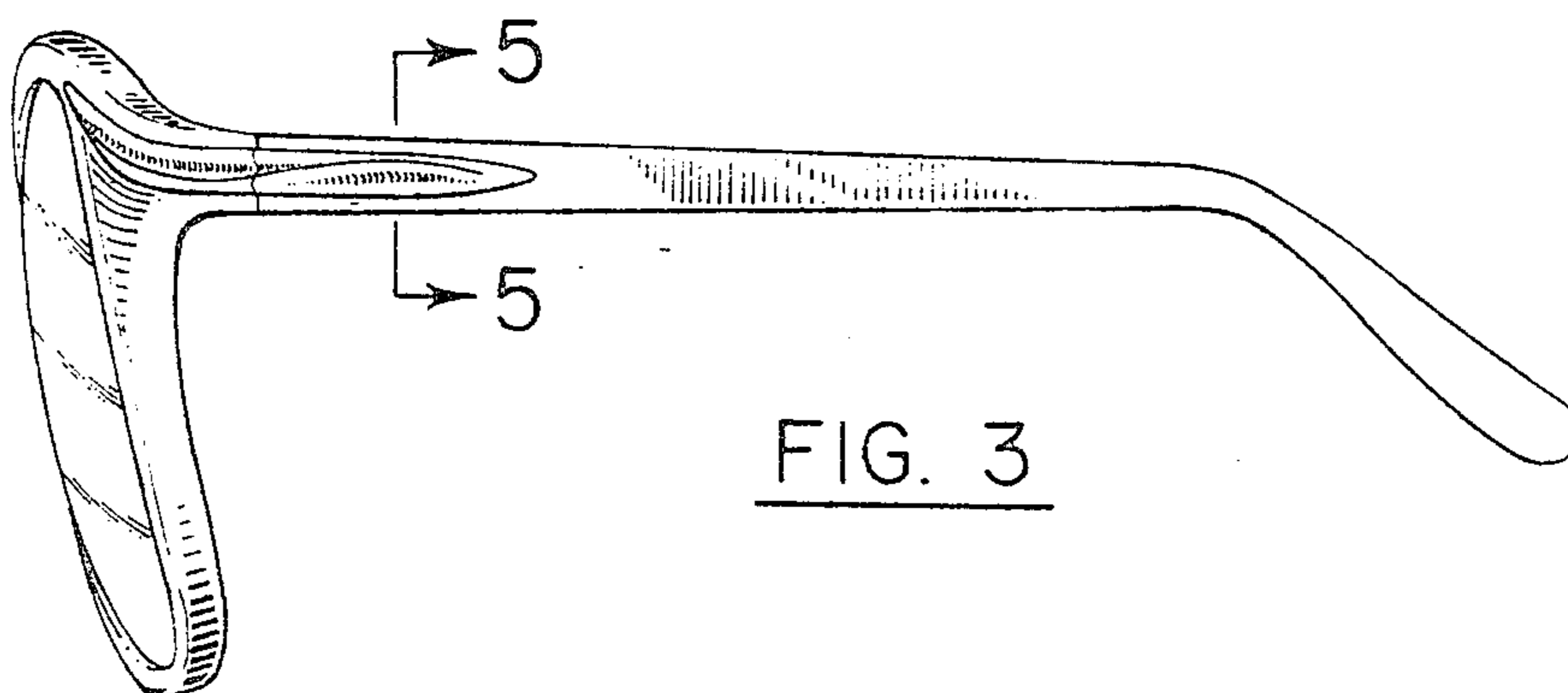


FIG. 3

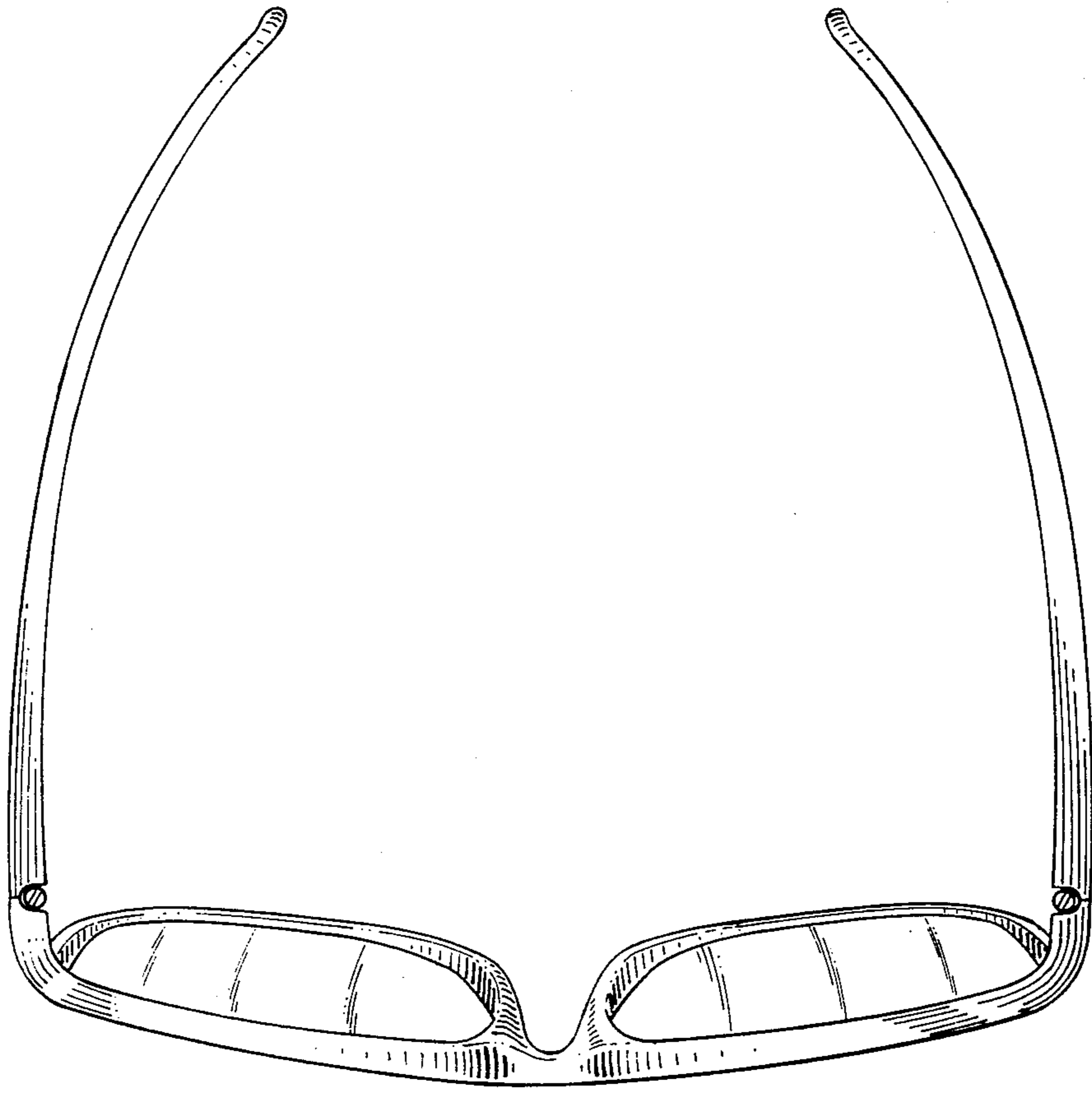


FIG. 4

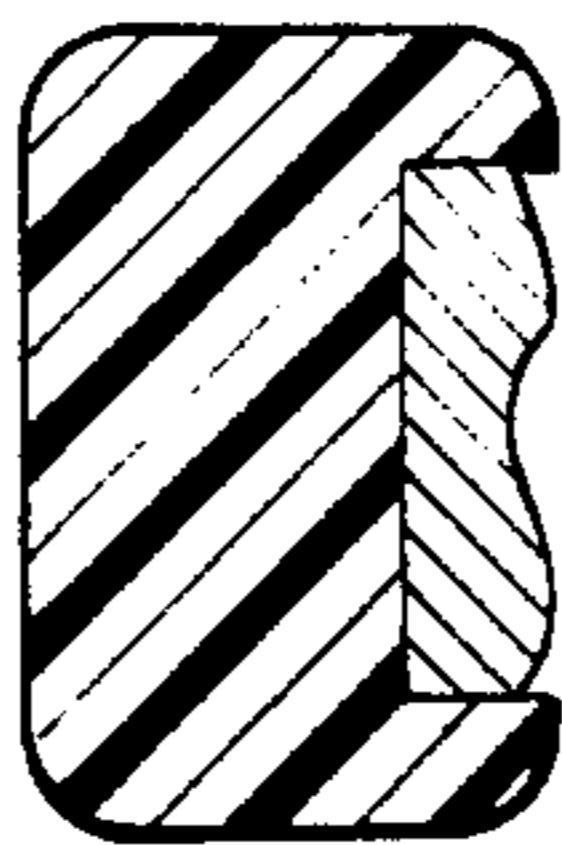


FIG. 5