

[54] SORTER FOR COPYING MACHINE

[75] Inventors: Yasuhiro Saito, Tokyo; Tetsuya Goto; Toshio Umino, both of Kanagawa, all of Japan

[73] Assignee: Ricoh Company, Ltd., Japan

[**] Term: 14 Years

[21] Appl. No.: 419,402

[22] Filed: Sep. 17, 1982

[30] Foreign Application Priority Data

Mar. 18, 1982 [JP] Japan 57-11147

[52] U.S. Cl. D16/32

[58] Field of Search D16/27-32; 270/52, 58; 271/287-303; 355/3 R, 3 SH, 14 SH, 3 H

[56] References Cited

U.S. PATENT DOCUMENTS

D. 240,557 7/1976 Stemmler D16/32

D. 261,272	10/1981	Lawrence	D16/32
D. 271,882	12/1983	DuBois	D16/32
3,561,754	2/1971	Gaffron	270/58 X
4,105,196	8/1978	Van Wagener	270/58
4,328,963	5/1982	DuBois	271/293
4,332,377	6/1982	DuBois	271/293
4,343,463	8/1982	Lawrence	271/293
4,433,837	2/1984	Romanowski	271/293
4,466,608	8/1984	DuBois	271/293

Primary Examiner—Nelson C. Holtje
Attorney, Agent, or Firm—Guy W. Shoup

[57] CLAIM

The ornamental design for a sorter for copying machine, as shown and described.

DESCRIPTION

FIG. 1 is a front elevational view of a sorter for copying machine, showing our new design;
FIG. 2 is a top plan view thereof;
FIG. 3 is a right side elevational view thereof;
FIG. 4 is a left side elevational view thereof;
FIG. 5 is a rear elevational view thereof;
FIG. 6 is a bottom plan view thereof.

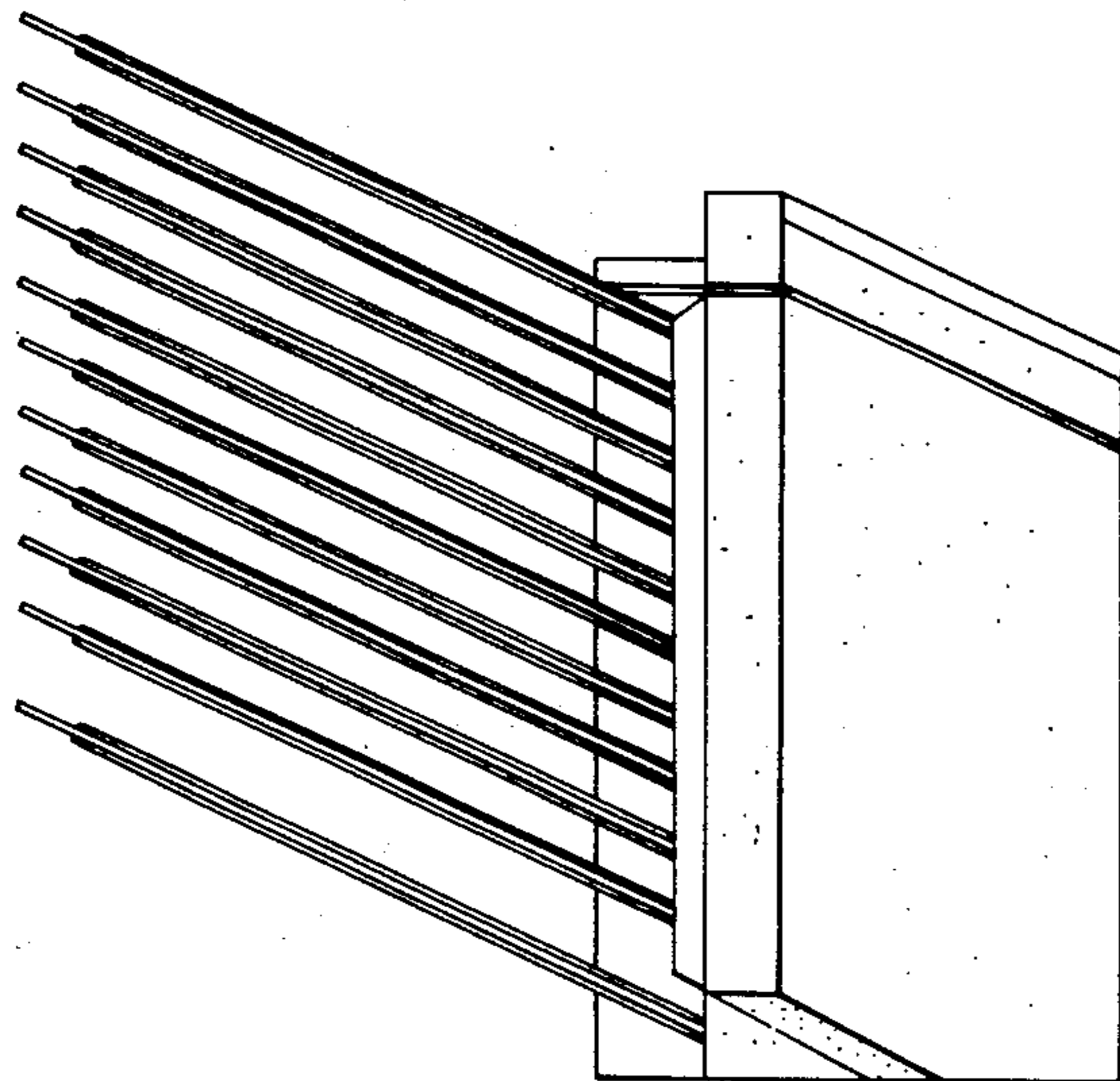


FIG. 1

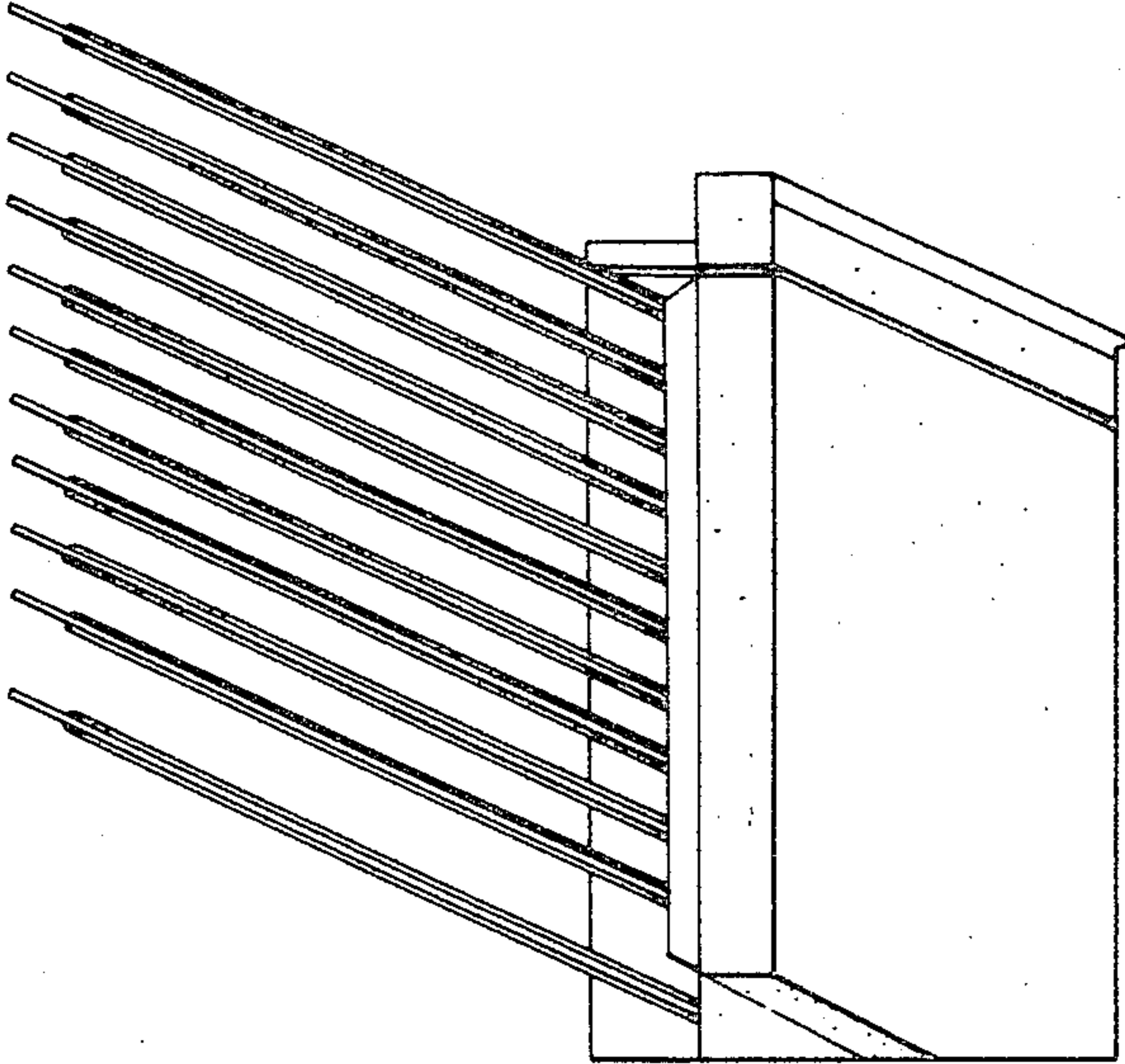


FIG. 2

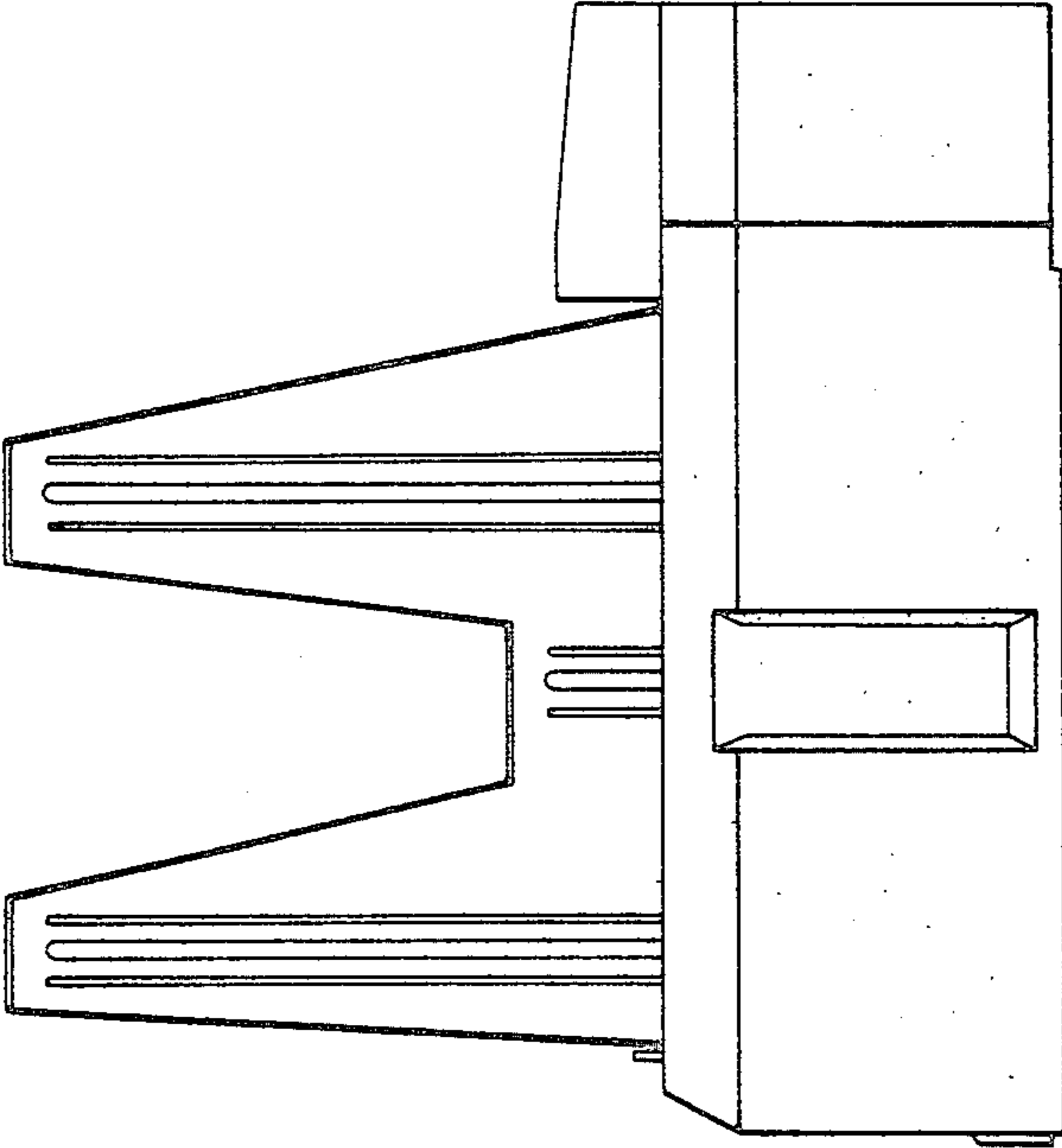


FIG. 3

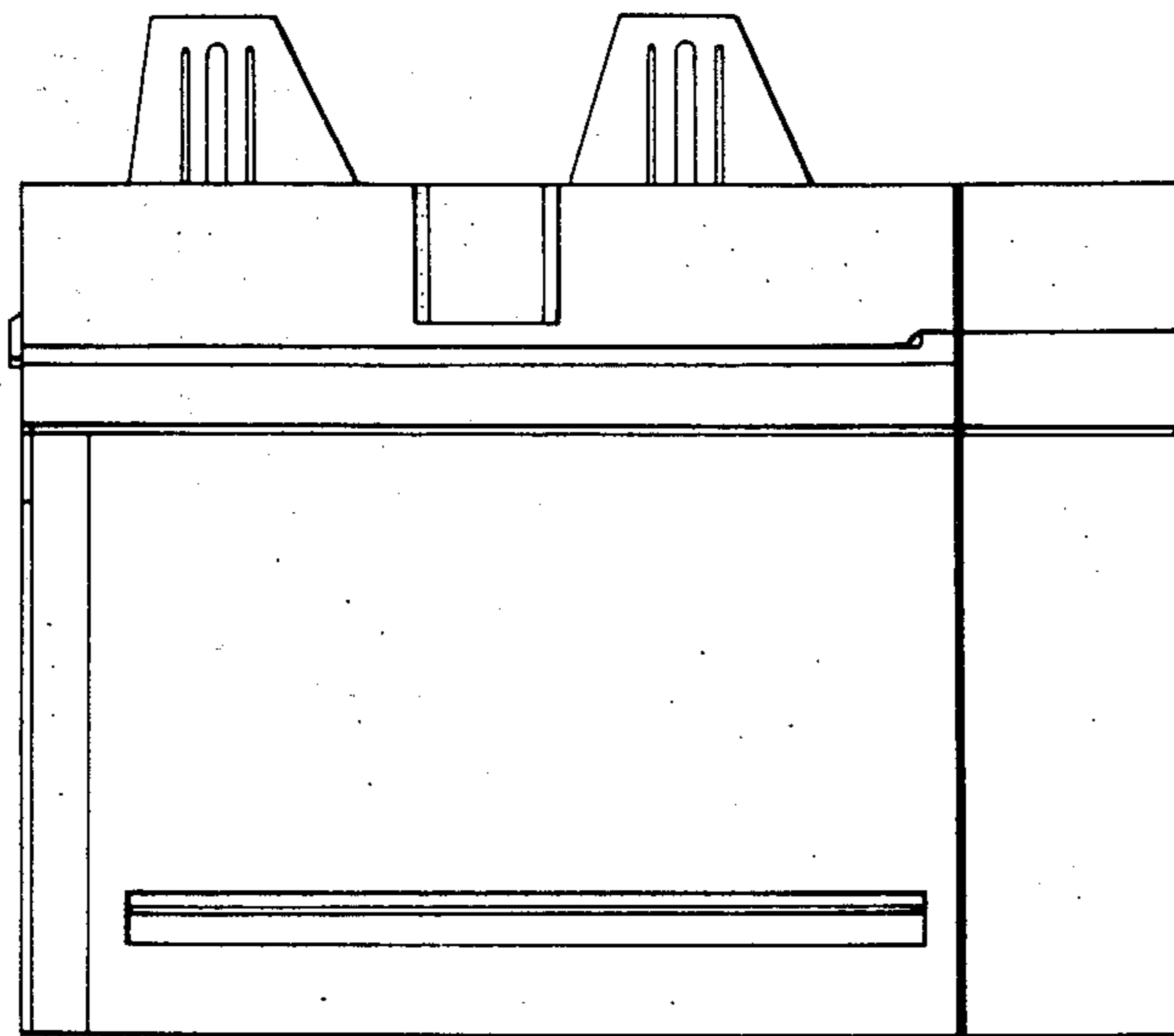


FIG. 4

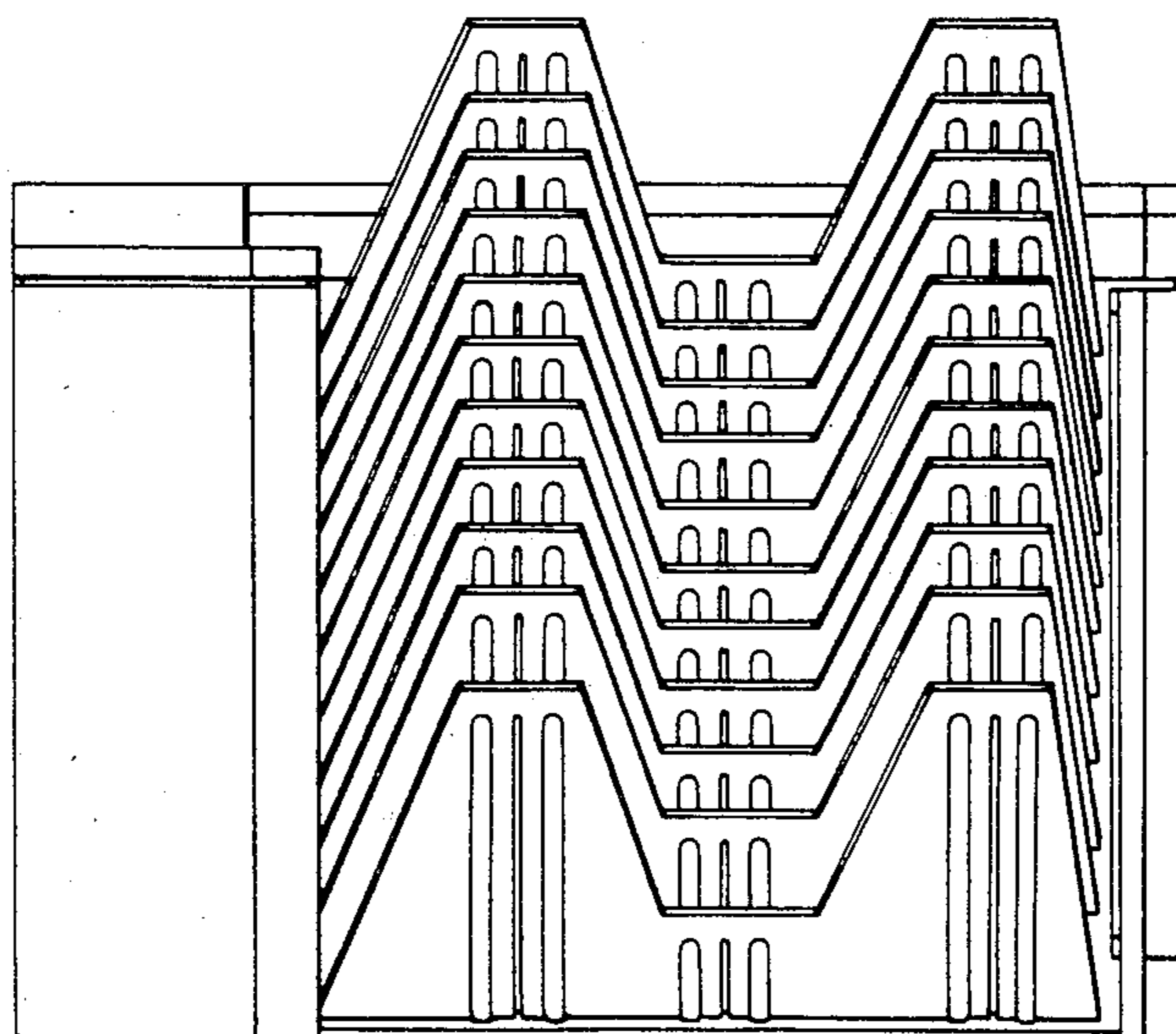


FIG. 5

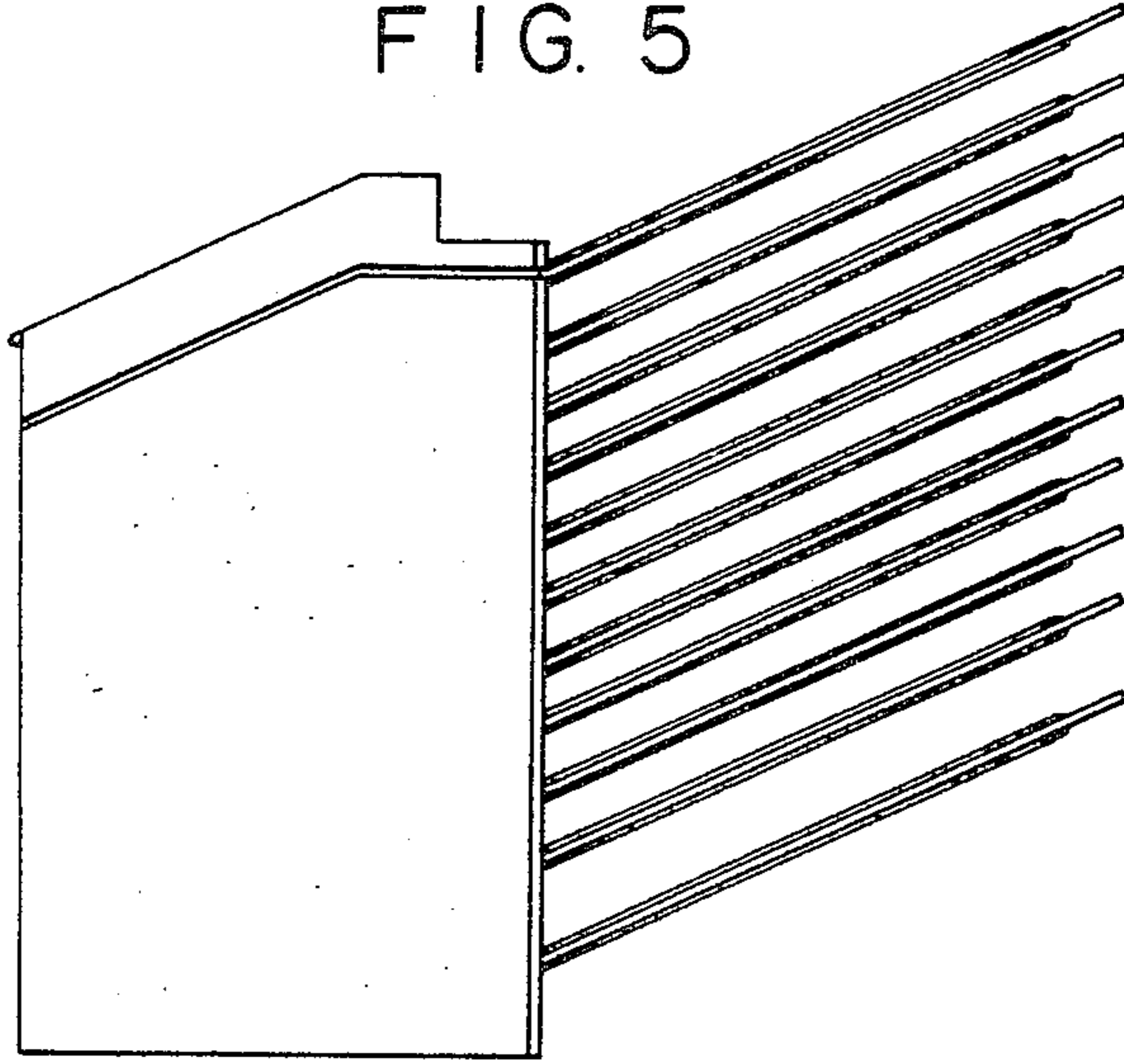


FIG. 6

