

[54] ELECTROPHOTOGRAPHIC COPYING MACHINE

[75] Inventors: Michio Imada, Kodaira; Kyo Toyoguchi, Tokyo, both of Japan

[73] Assignee: Olympus Optical Company Ltd., Tokyo, Japan

[**] Term: 14 Years

[21] Appl. No.: 511,735

[22] Filed: Jul. 7, 1983

[30] Foreign Application Priority Data

Mar. 25, 1983 [JP] Japan 58-12513

[52] U.S. Cl. D16/31

[58] Field of Search D16/27-32; 355/3 R, 3 SH, 5-11, 14 SH, 18-19, 44-45, 51, 54, 64-65

[56] References Cited

U.S. PATENT DOCUMENTS

- D. 251,912 5/1979 Nakade D16/31
- D. 257,984 1/1981 Kurozumi D16/31
- D. 260,019 7/1981 Onoue D16/31
- D. 263,146 2/1982 Yamamoto D16/31

- D. 263,312 3/1982 Nakade D16/31
- 4,327,992 5/1982 Babicz 355/3 R
- 4,364,656 12/1982 Yanagawa 355/3 SH X
- 4,386,845 6/1983 Miyoshi 355/3 SH X
- 4,394,087 7/1983 Irie 355/3 R X

OTHER PUBLICATIONS

Ricoh Brochure—1/81—FT 4700 Copier on front.

Primary Examiner—Nelson C. Holtje
Attorney, Agent, or Firm—Louis Weinstein

[57] CLAIM

The ornamental design for an electrophotographic copying machine, as shown and described.

DESCRIPTION

FIG. 1 is a front and top-right perspective view of an electrophotographic copying machine showing our new design;

FIG. 2 is a rear and bottom-left perspective view thereof;

FIG. 3 is a front elevational view thereof;

FIG. 4 is a rear elevational view thereof;

FIG. 5 is a left side elevational view thereof;

FIG. 6 is a right side elevational view thereof;

FIG. 7 is a top plan view thereof;

FIG. 8 is a bottom plan view thereof.

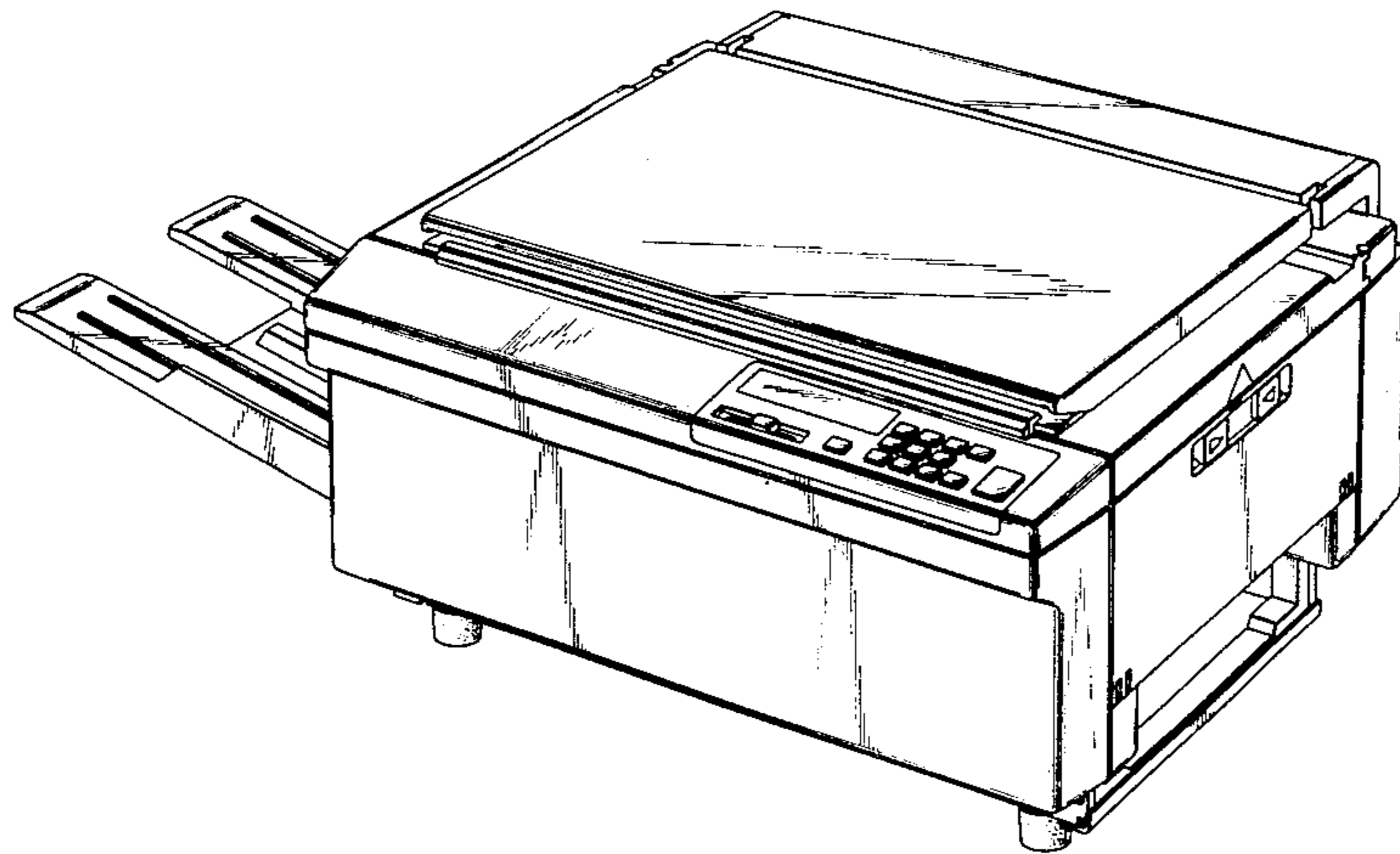


FIG. 1

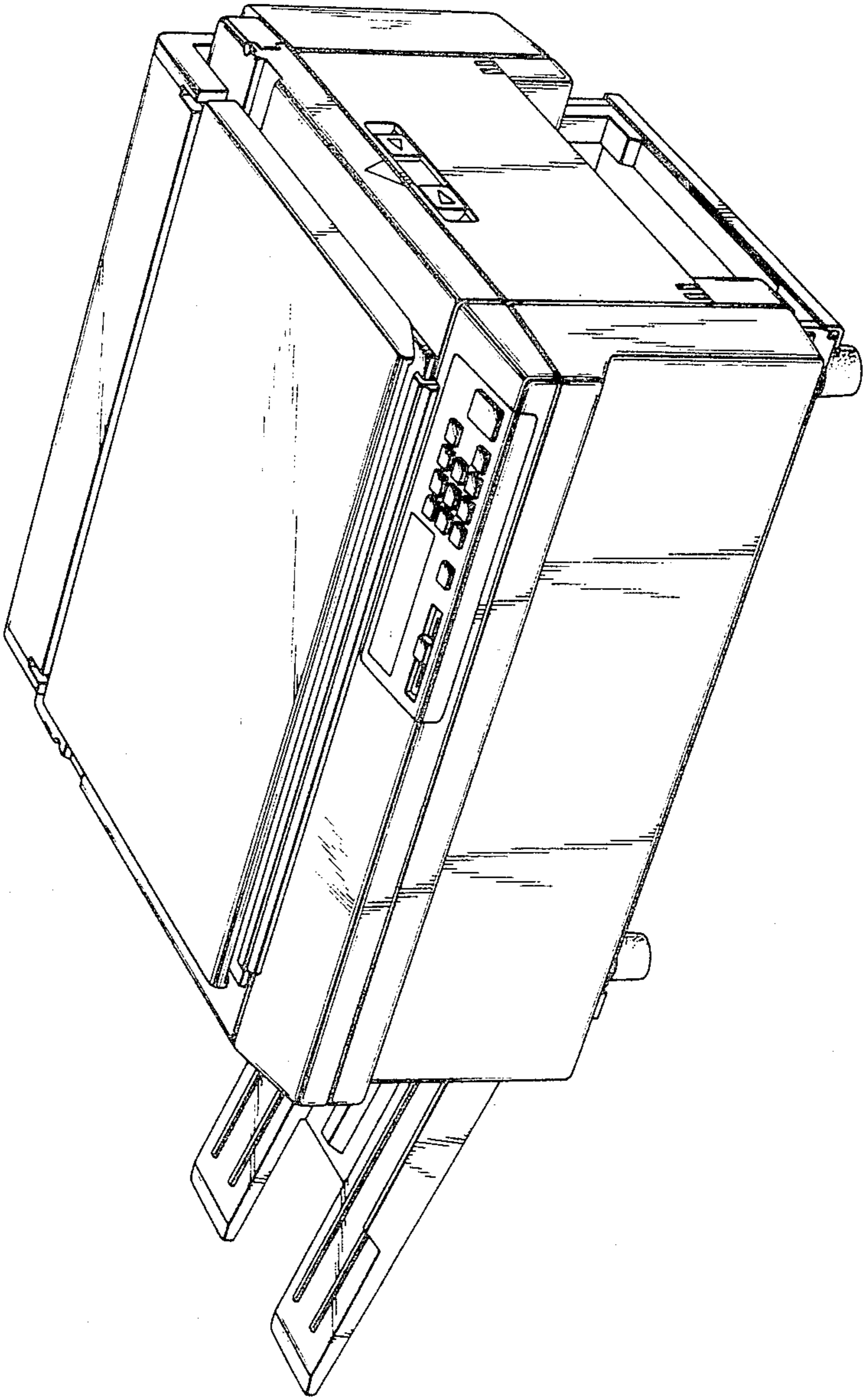
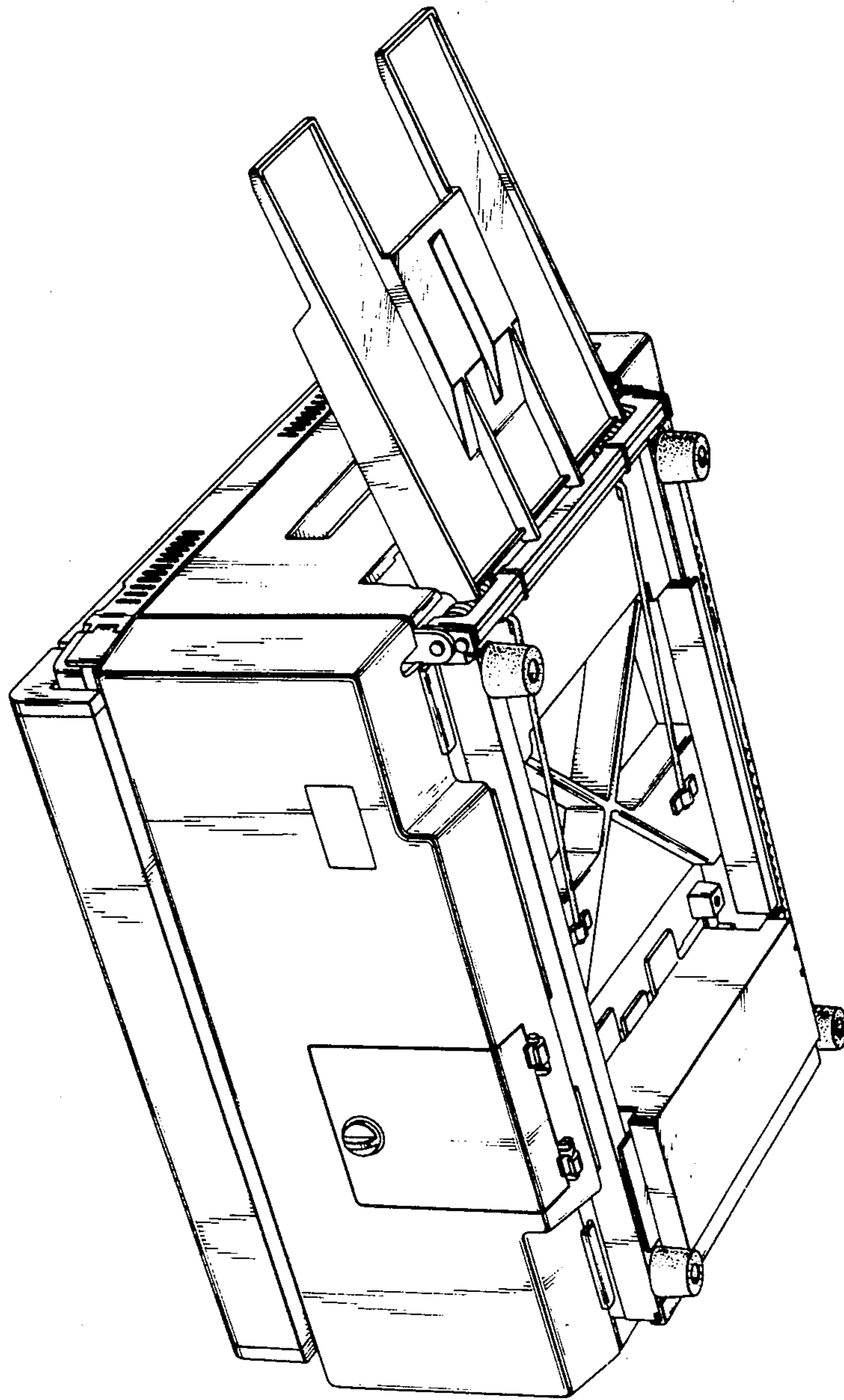


FIG. 2



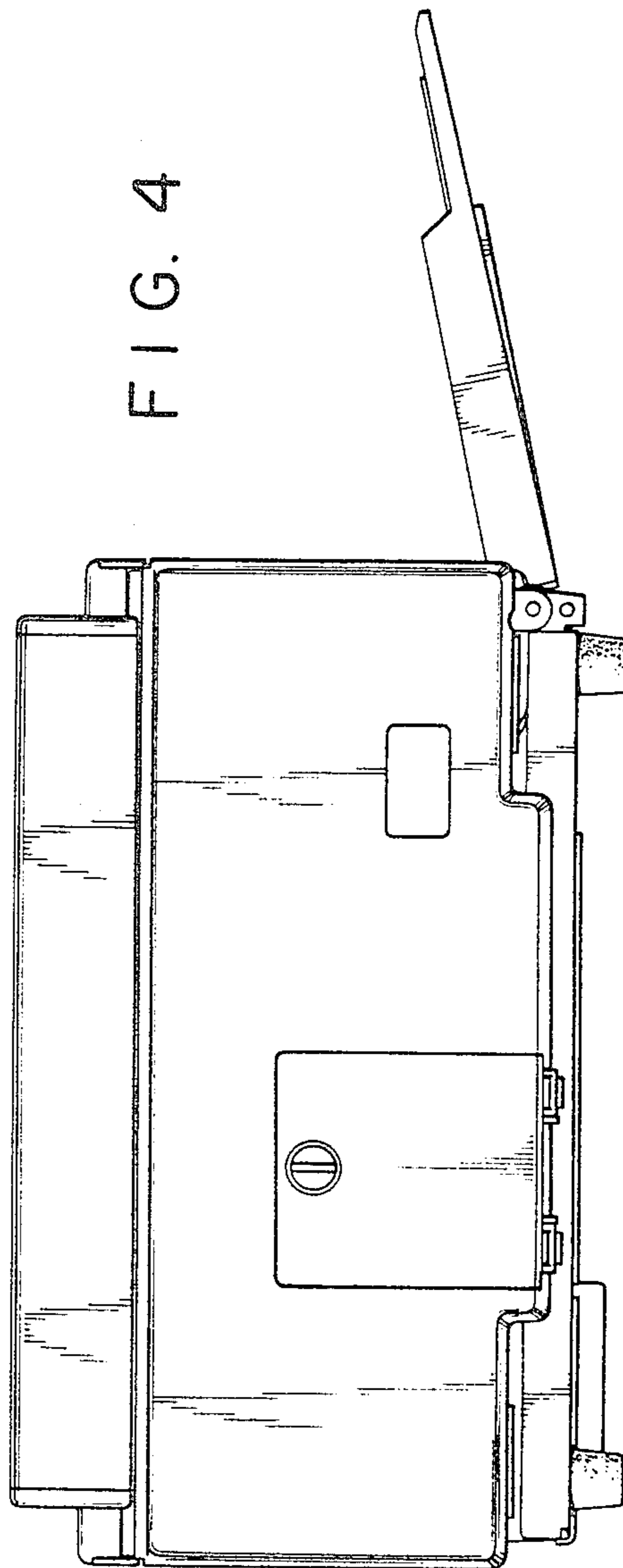
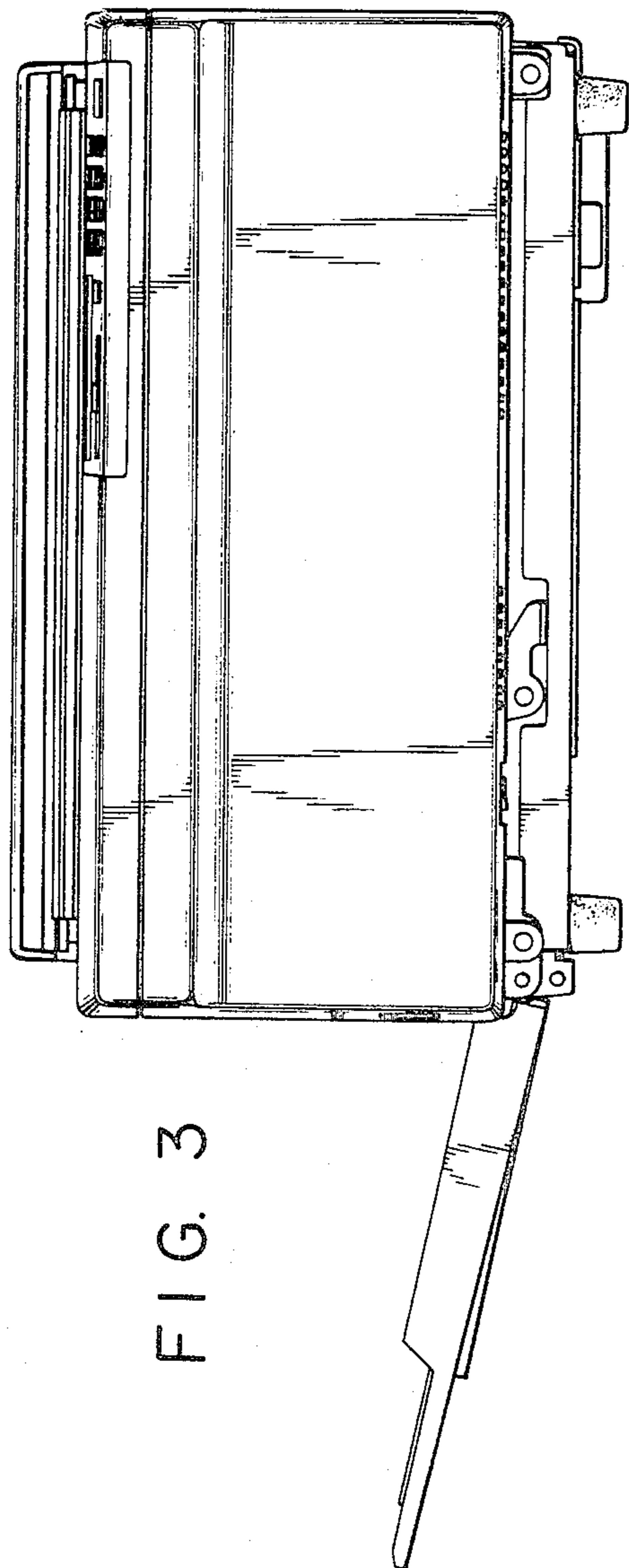


FIG. 5

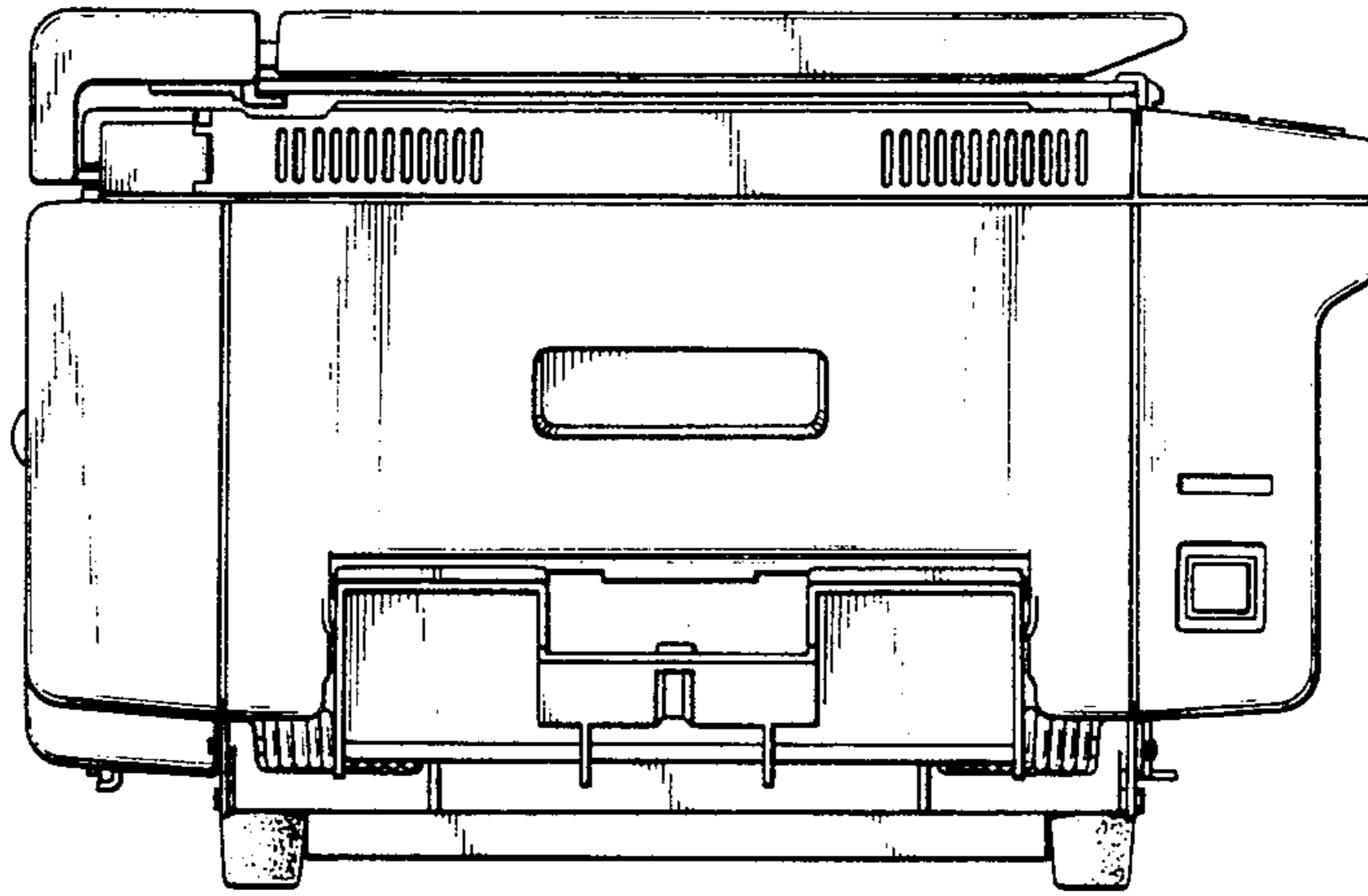


FIG. 6

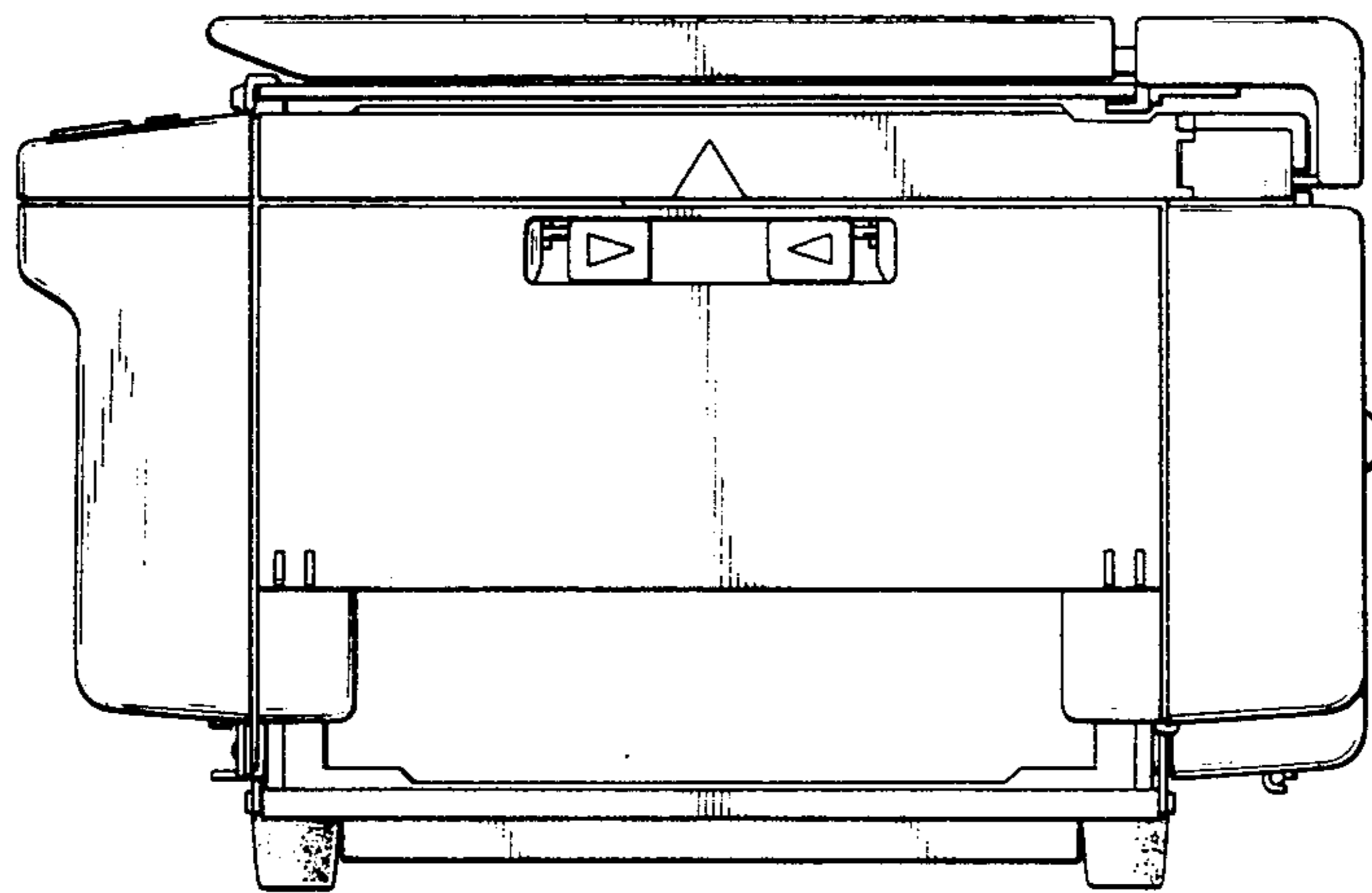


FIG. 7

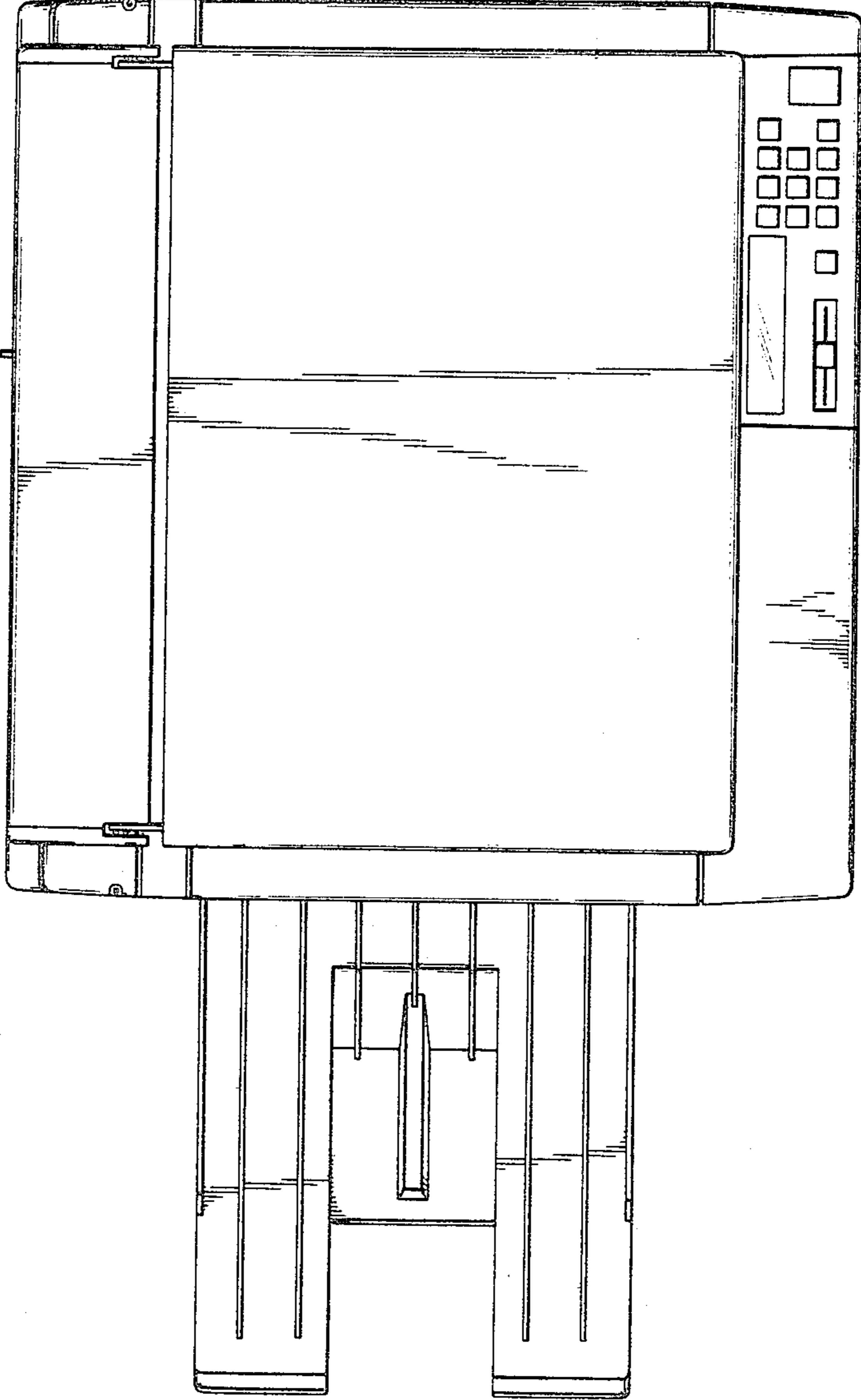


FIG. 8

