

[54] ELECTROSTATIC COPYING MACHINE

[75] Inventor: Yasuhiro Saito, Yokohama, Japan

[73] Assignee: Ricoh Company, Ltd., Japan

[**] Term: 14 Years

[21] Appl. No.: 508,816

[22] Filed: Jun. 27, 1983

[30] Foreign Application Priority Data

Dec. 28, 1982 [JP]	Japan	57-59368
Dec. 28, 1982 [JP]	Japan	57-59370
[52] U.S. Cl.		D16/31
[58] Field of Search		D16/27-32;
		355/3 R, 3 SH, 5-11, 14 SH, 18-19, 44-45, 51,
		54, 64-65

[56] References Cited

U.S. PATENT DOCUMENTS

D. 245,612	8/1977	Zeuten	D16/31
D. 246,526	11/1977	Kurozumi	D16/31
D. 264,727	6/1982	Matsuzaka	D16/31
D. 270,253	8/1983	DuBois	D16/31
D. 270,452	9/1983	Sukurai	D16/31
3,740,132	6/1973	Komori	355/8
4,204,668	5/1980	Yanagawa	355/3 SH X

Primary Examiner—Nelson C. Holtje

Attorney, Agent, or Firm—Guy W. Shoup; Robert Scobey

[57] CLAIM

The ornamental design for electrostatic copying machine, as shown and described.

DESCRIPTION

FIG. 1 is a front and top right perspective view of an electrostatic copying machine showing my new design; FIG. 2 is a front elevational view thereof; FIG. 3 is a top plan view thereof; FIG. 4 is a right side elevational view thereof; FIG. 5 is a left side elevational view thereof; FIG. 6 is a bottom plan view thereof; FIG. 7 is a rear elevational view thereof; FIG. 8 is a front and top-right perspective view thereof with the paper handling trays in place; FIG. 9 is a front and top-right perspective view of another embodiment of my new design of FIGS. 1-8; FIG. 10 is a front elevational view thereof; FIG. 11 is a top plan view thereof; FIG. 12 is a right side elevational view thereof; FIG. 13 is a left side elevational view thereof; FIG. 14 is a bottom plan view thereof; FIG. 15 is a rear elevational view thereof; FIG. 16 is a front and top-right perspective view thereof with the paper handling trays in place. In FIGS. 1-7 and 9-15, the paper handling trays have been omitted for ease of illustration and clarity.

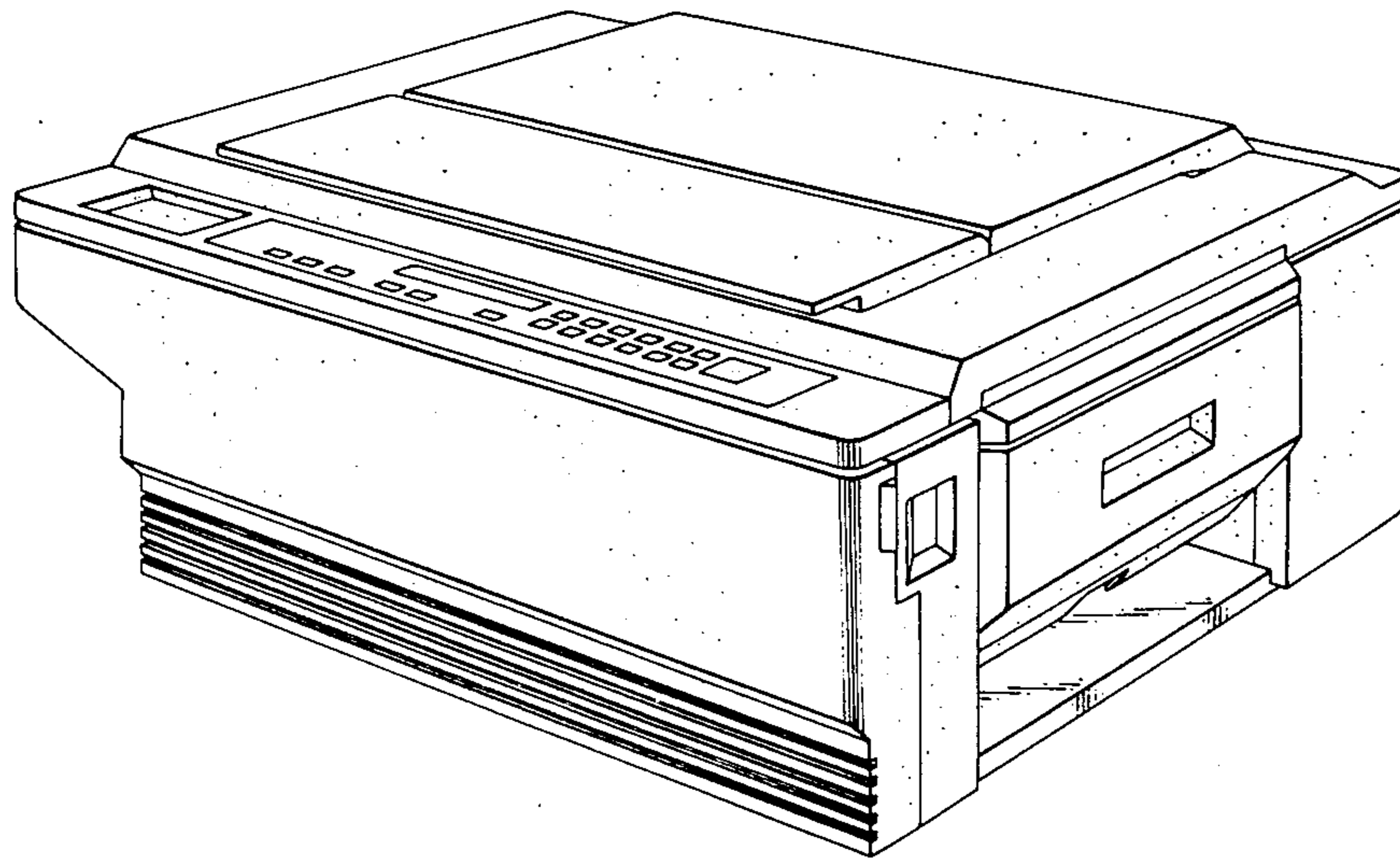


FIG. 1

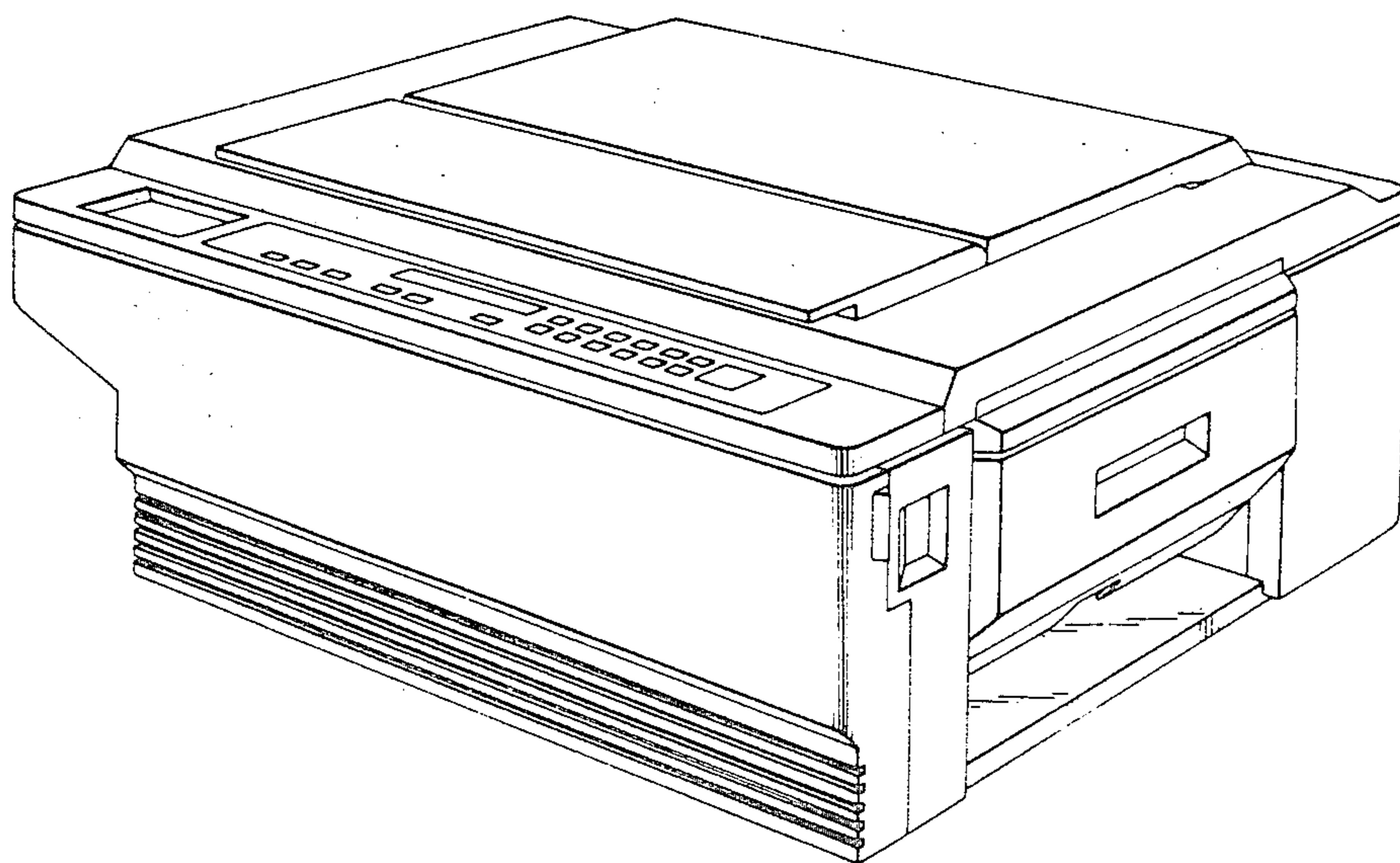


FIG. 2

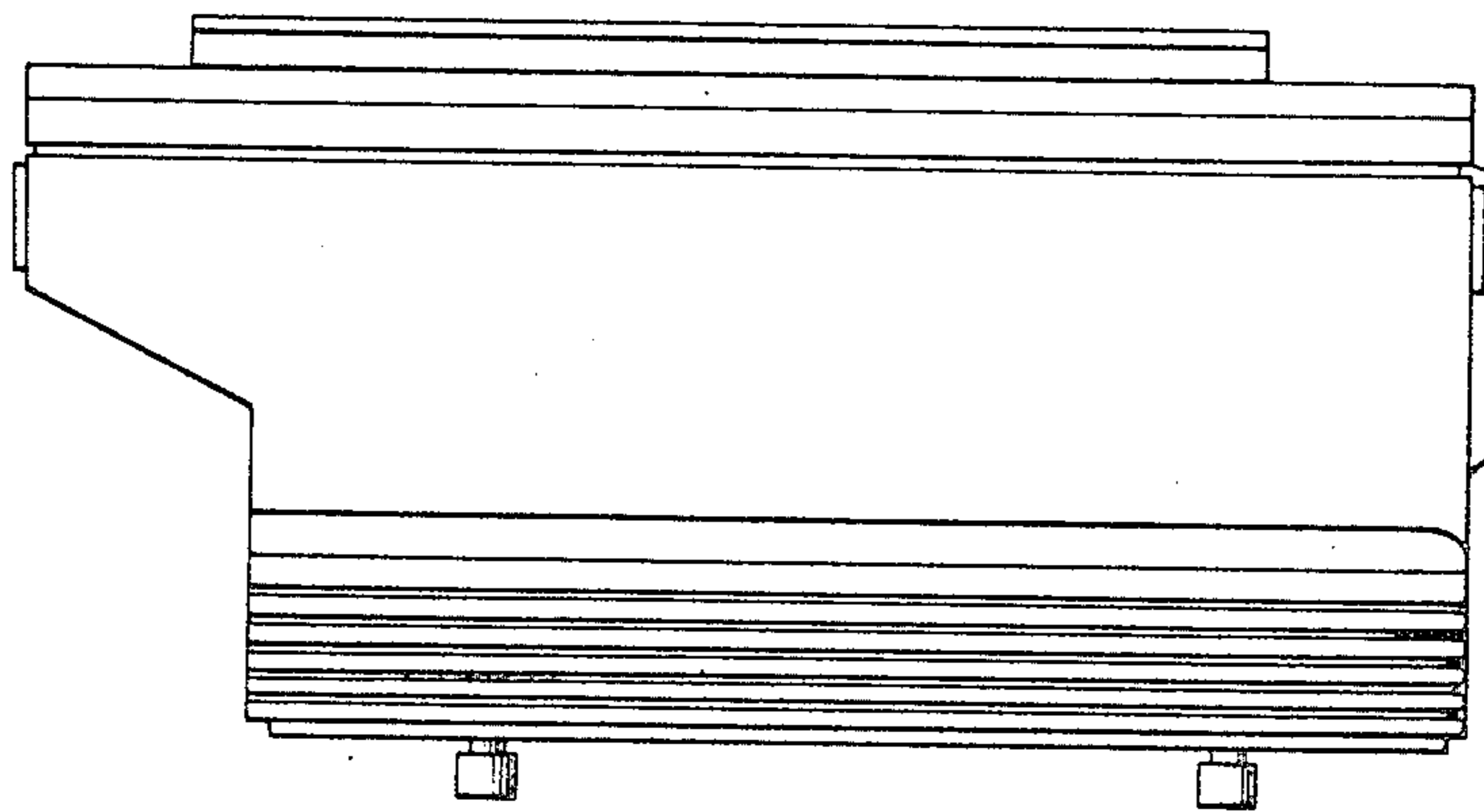


FIG. 3

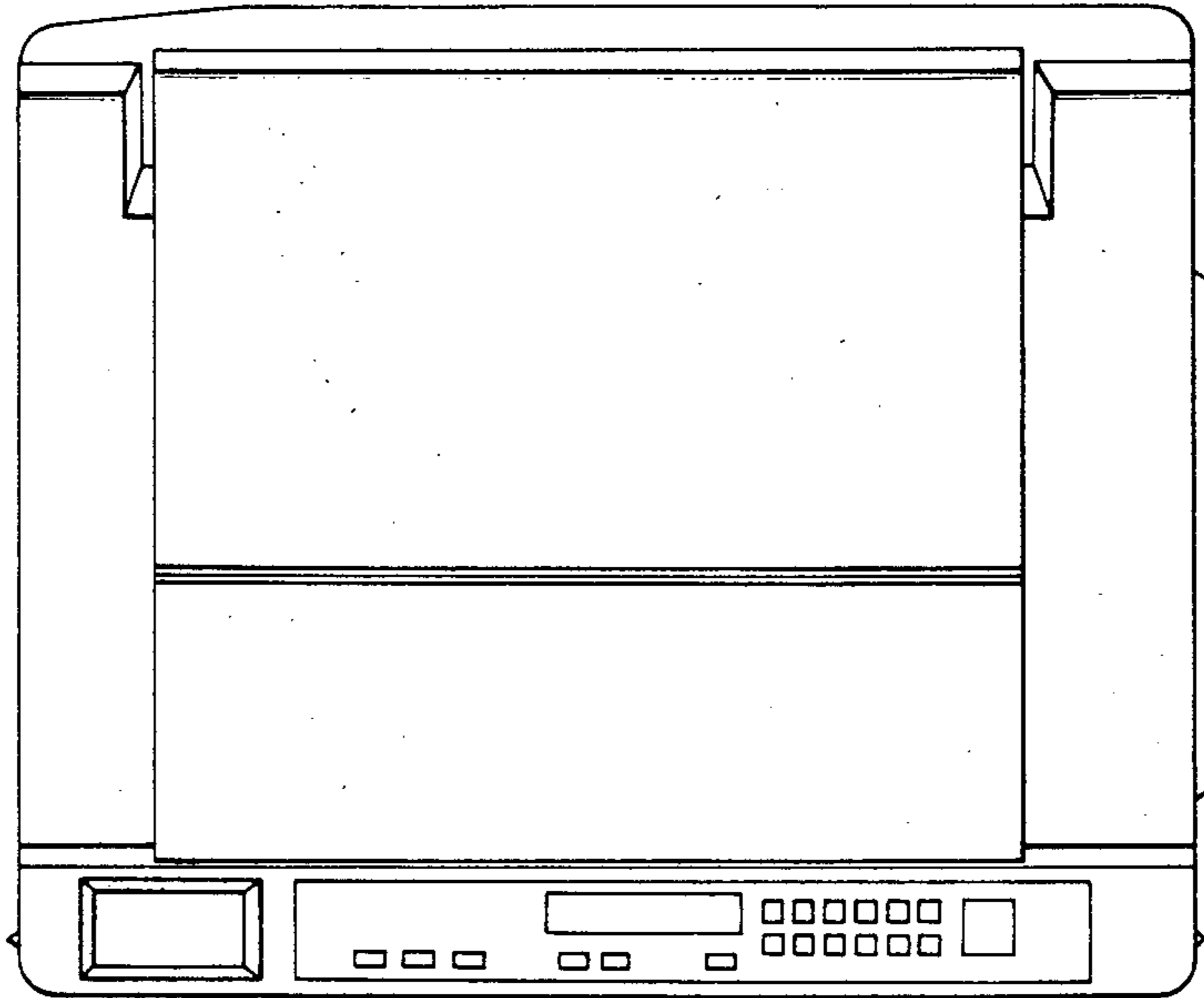


FIG. 4

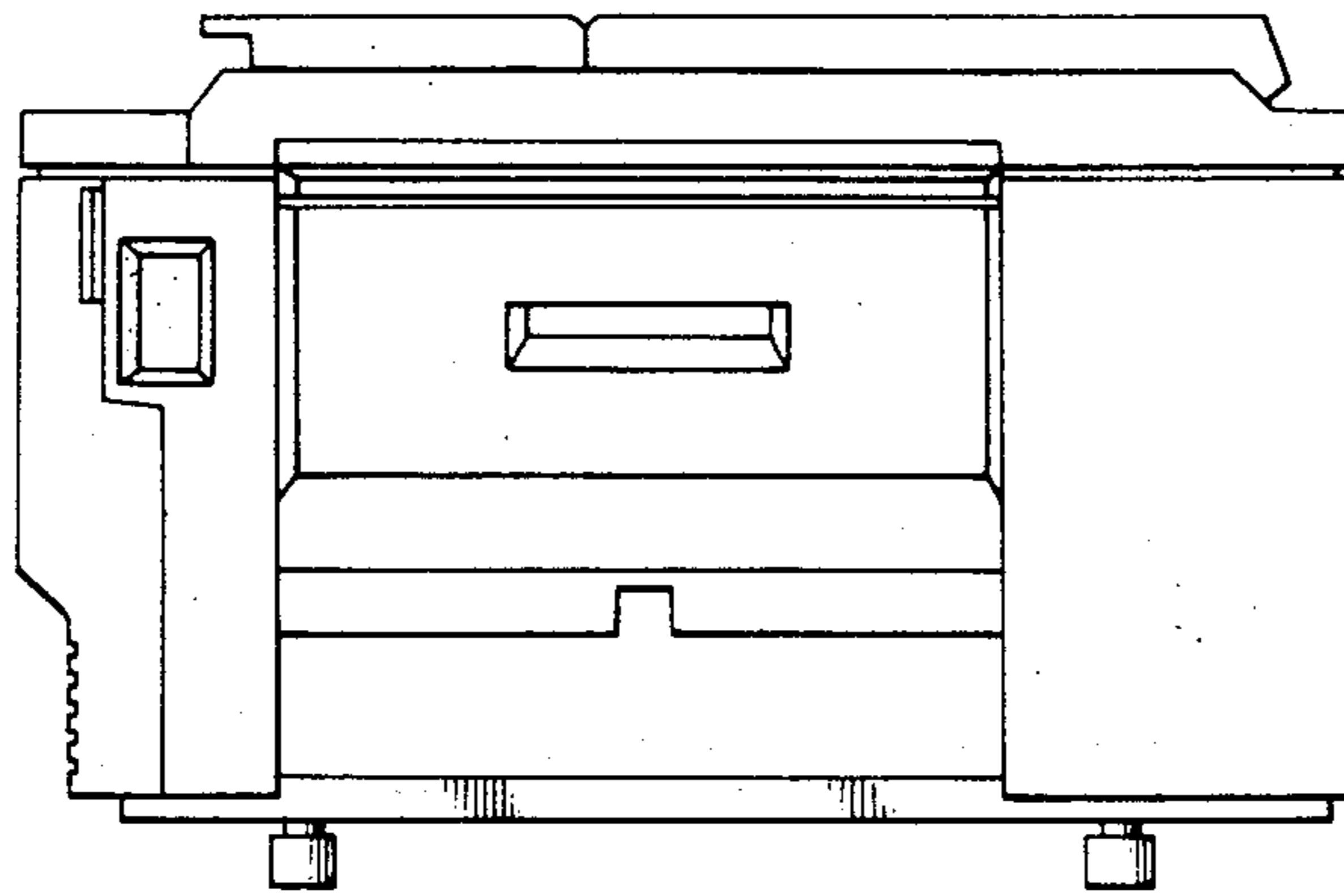


FIG. 5

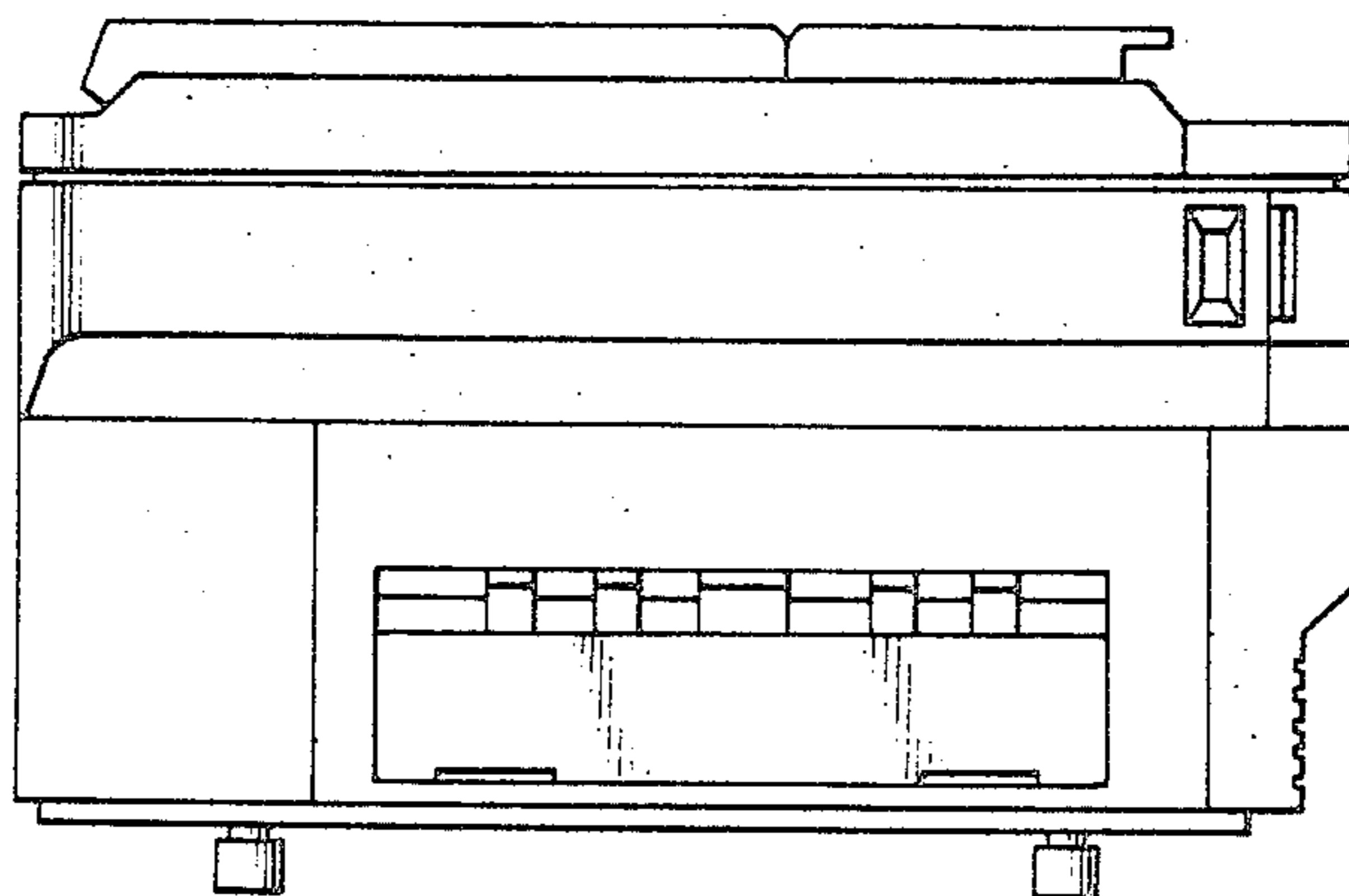


FIG. 6

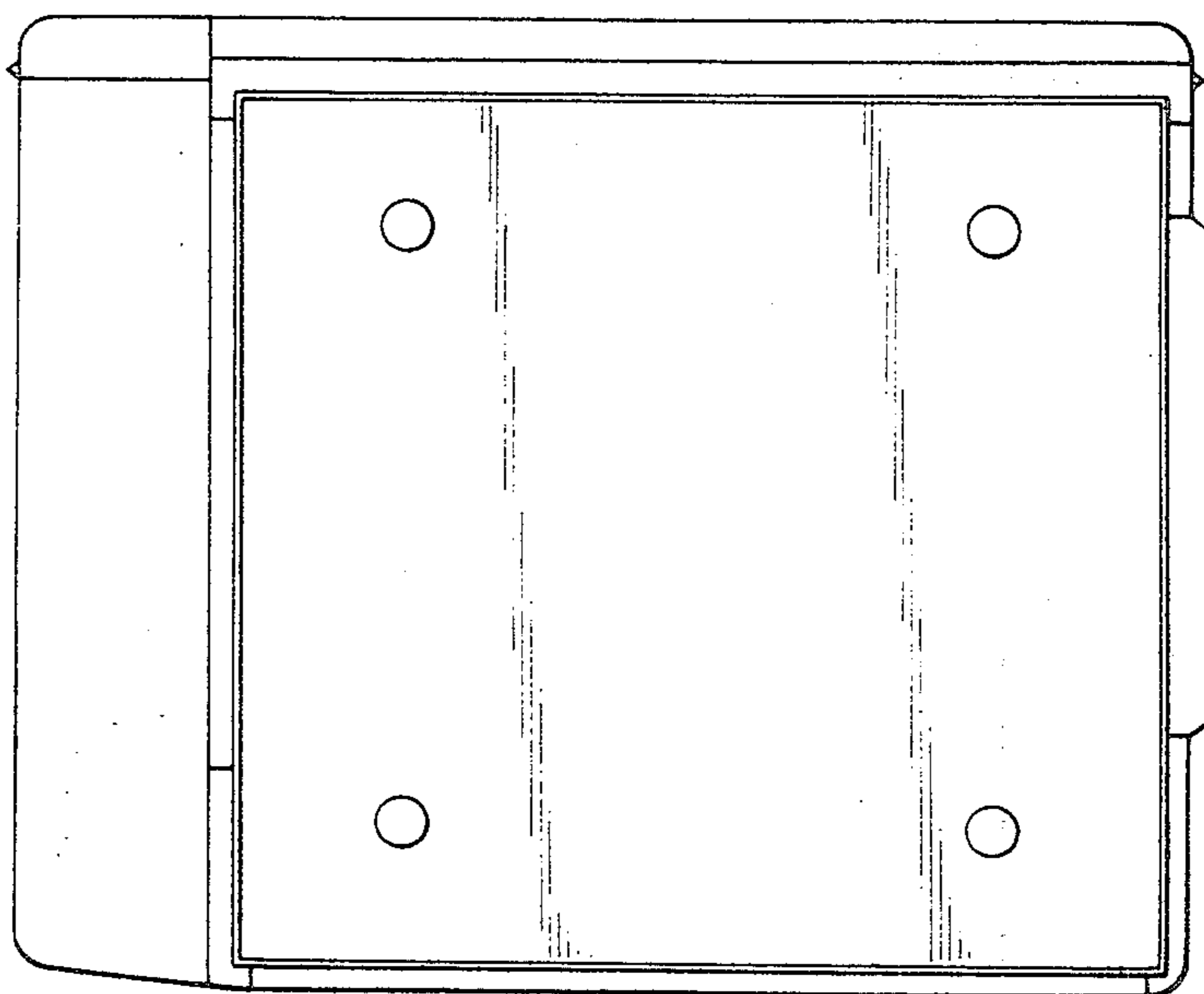


FIG. 7

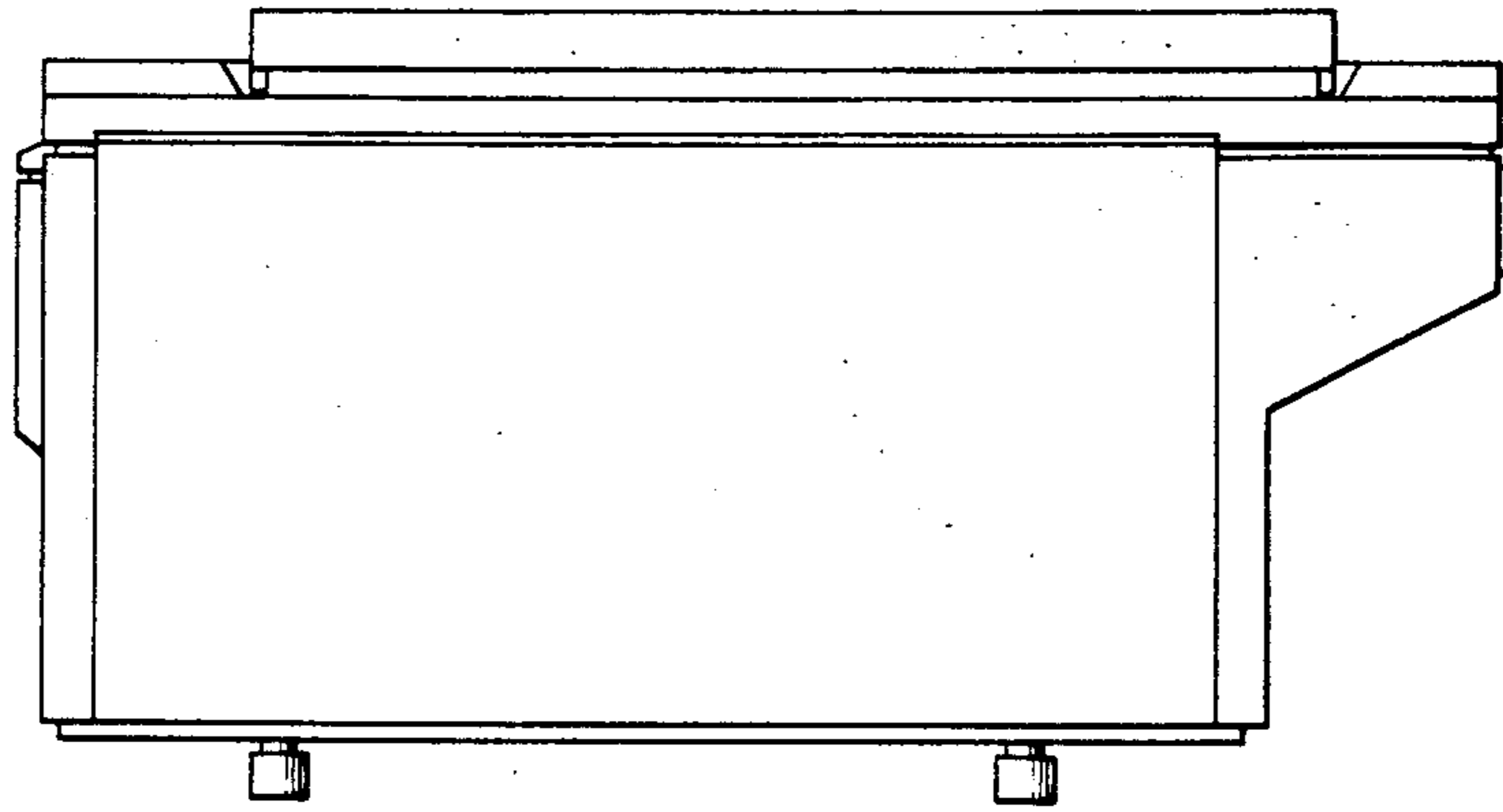


FIG. 8

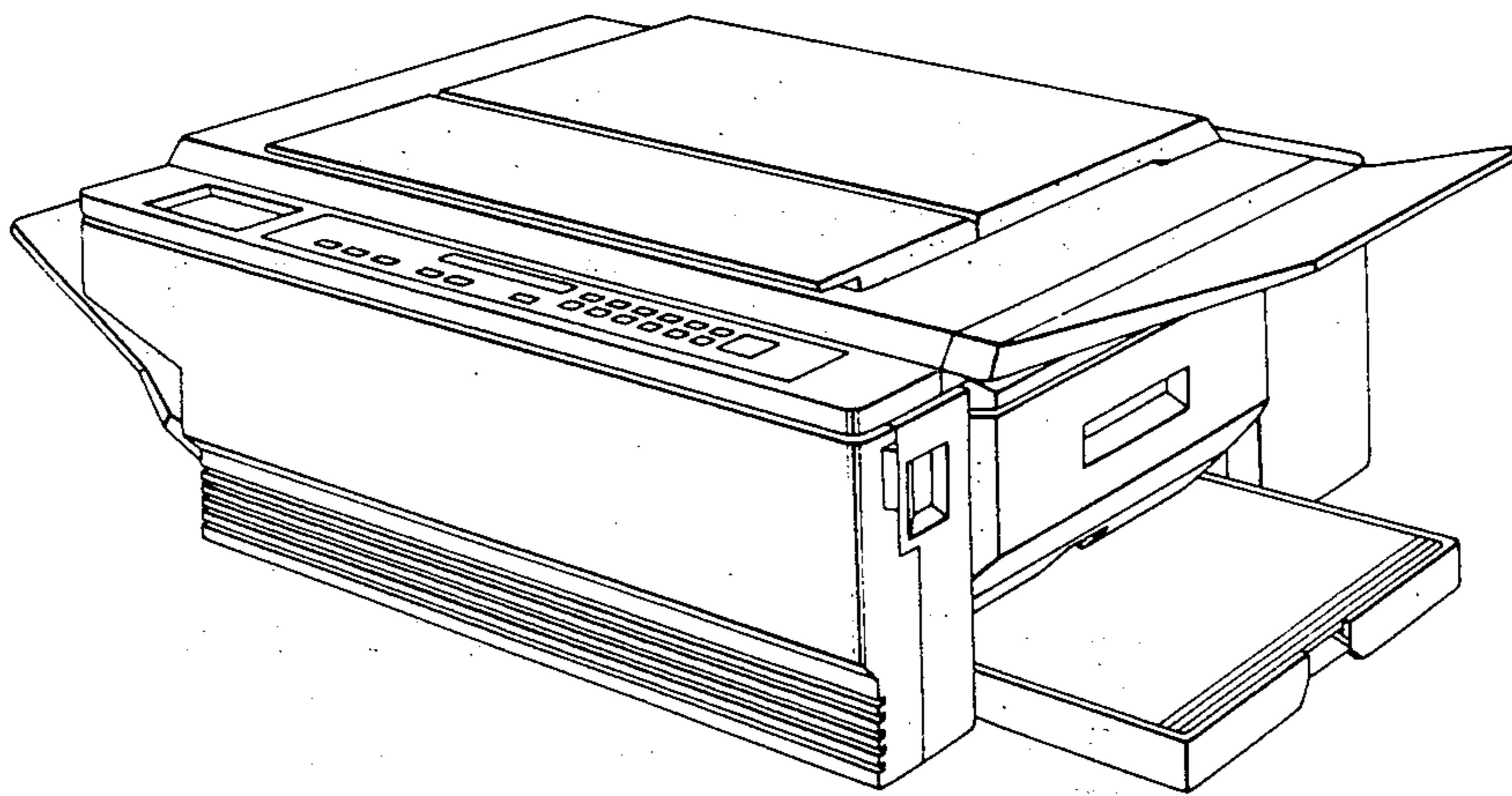


FIG. 9

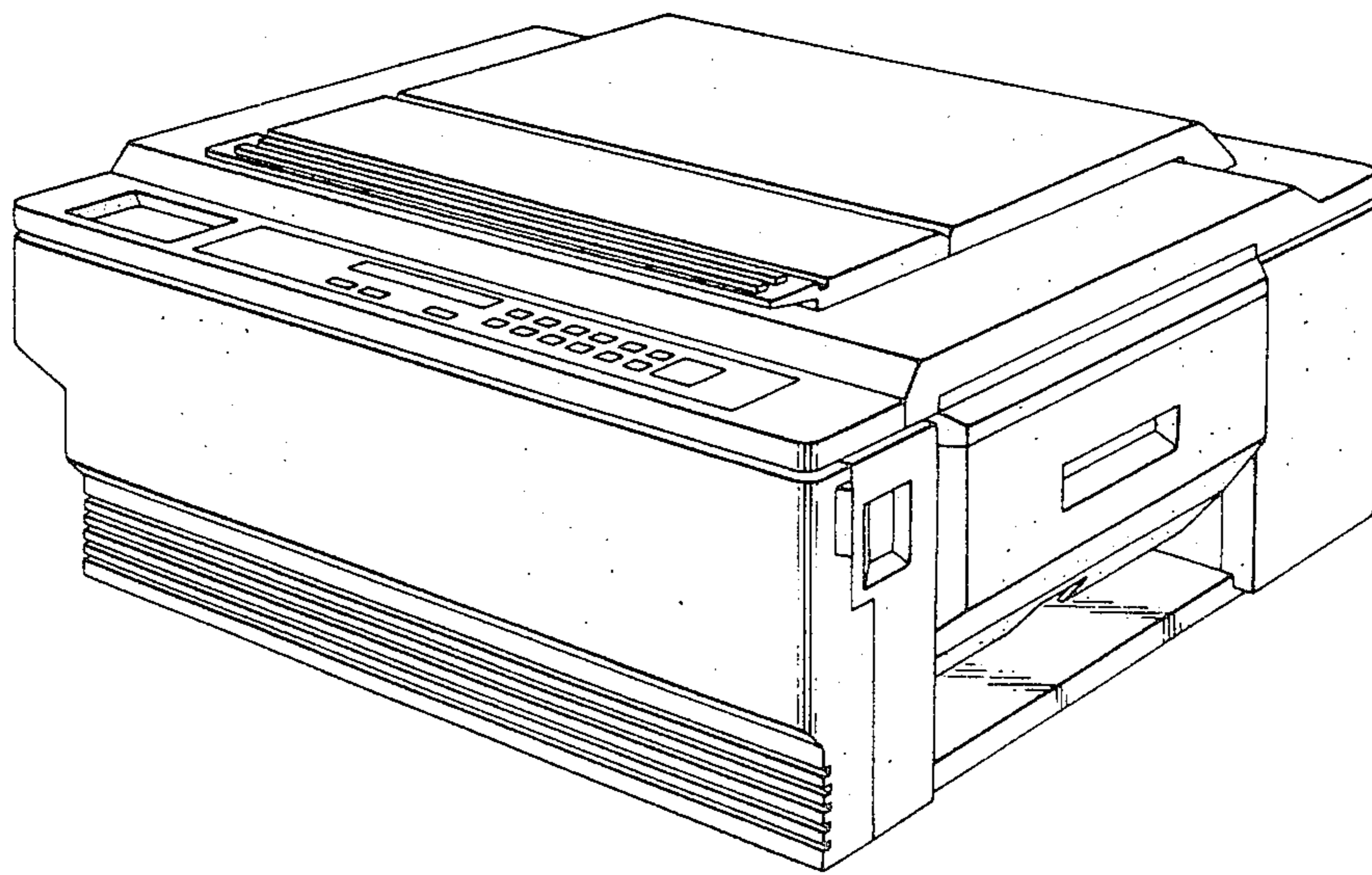


FIG. 10

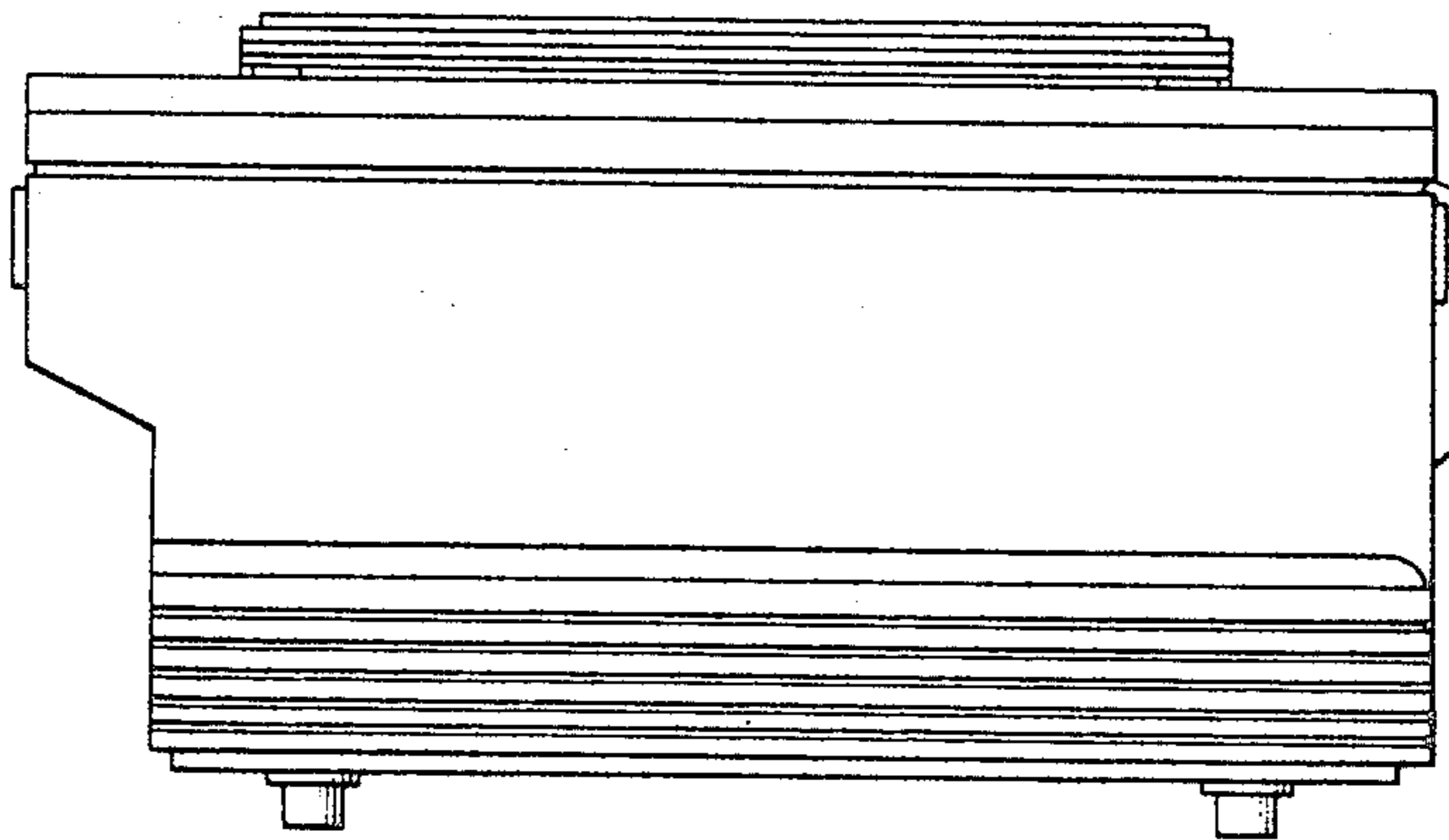


FIG. 11

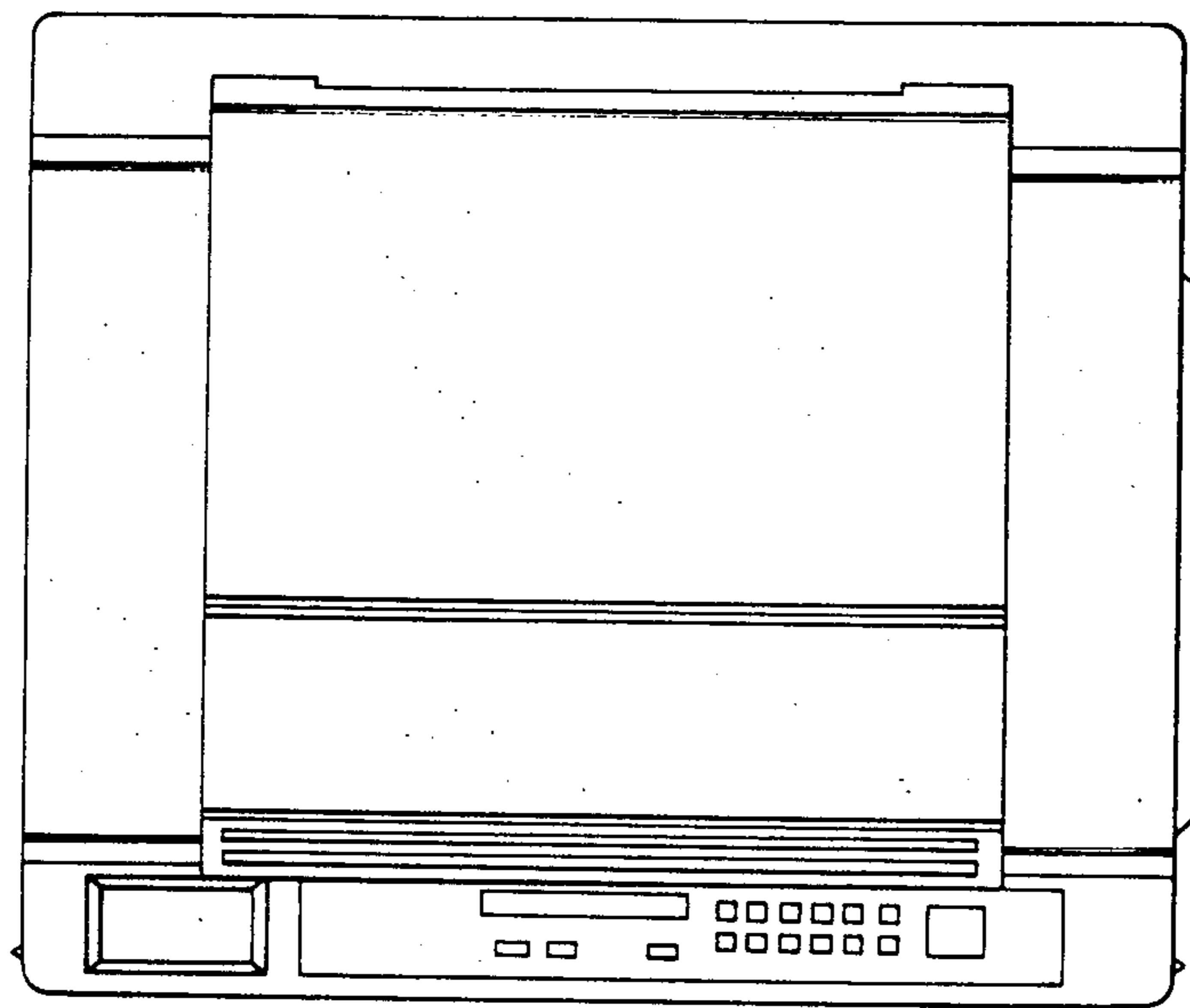


FIG. 12

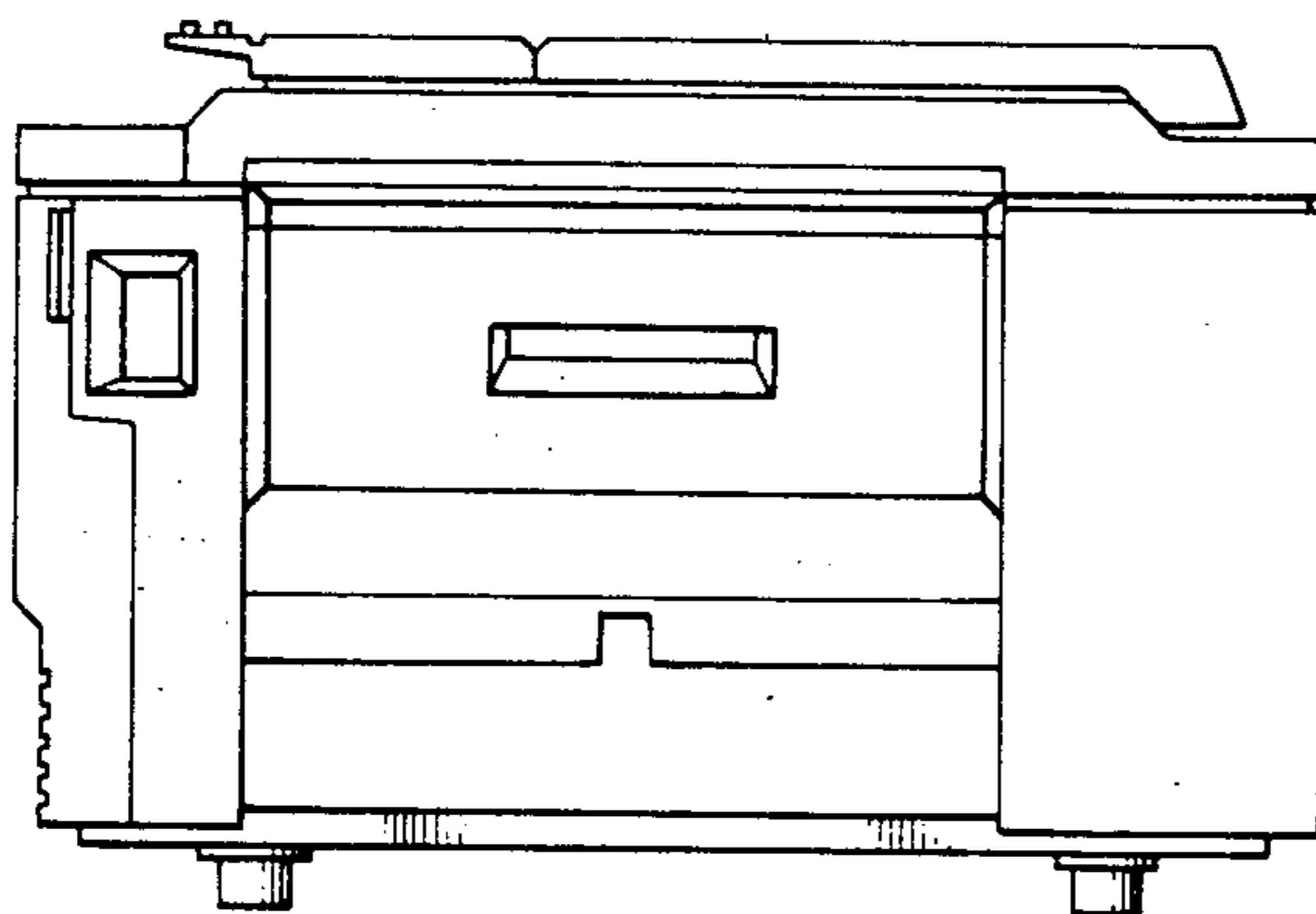


FIG. 13

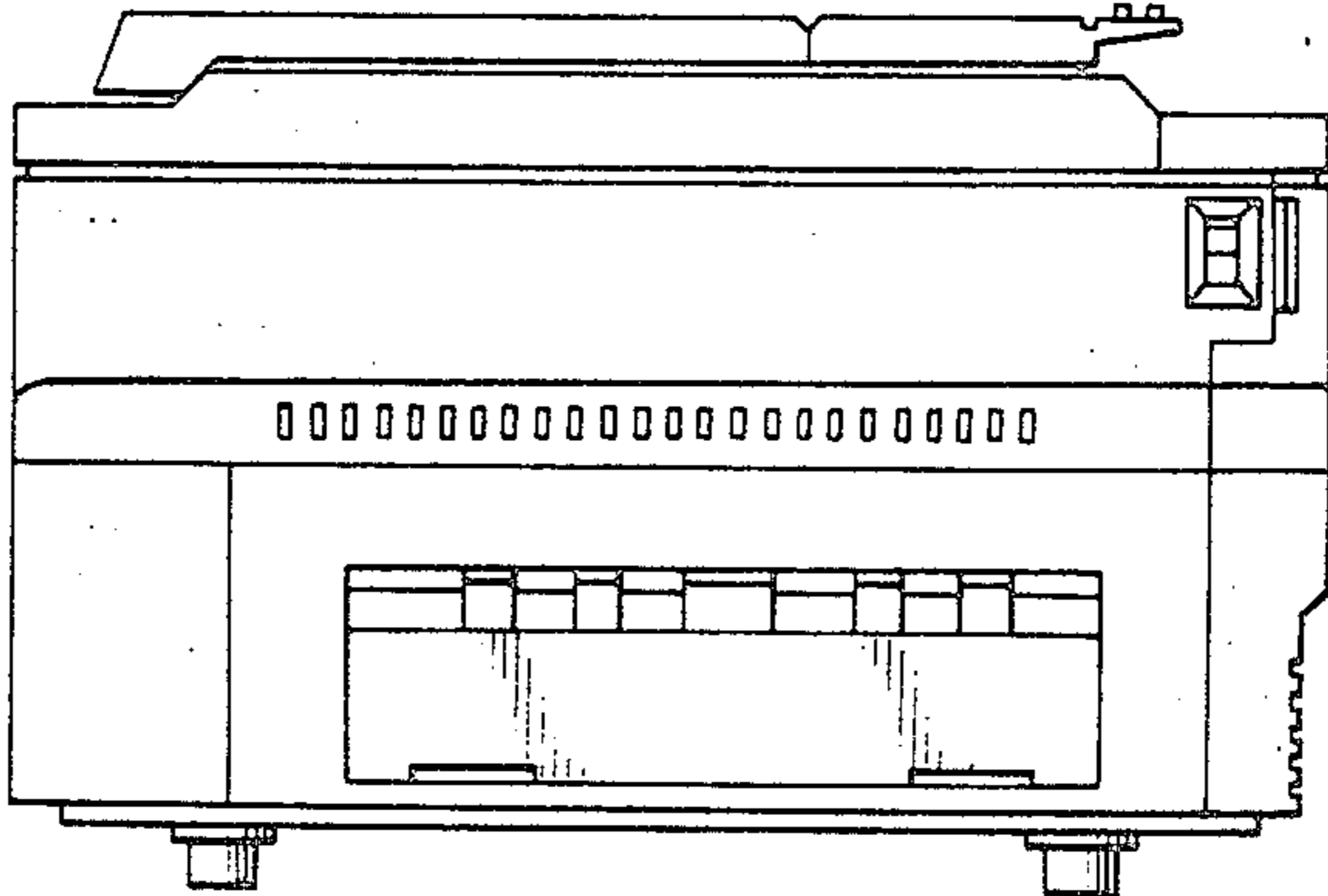


FIG. 14

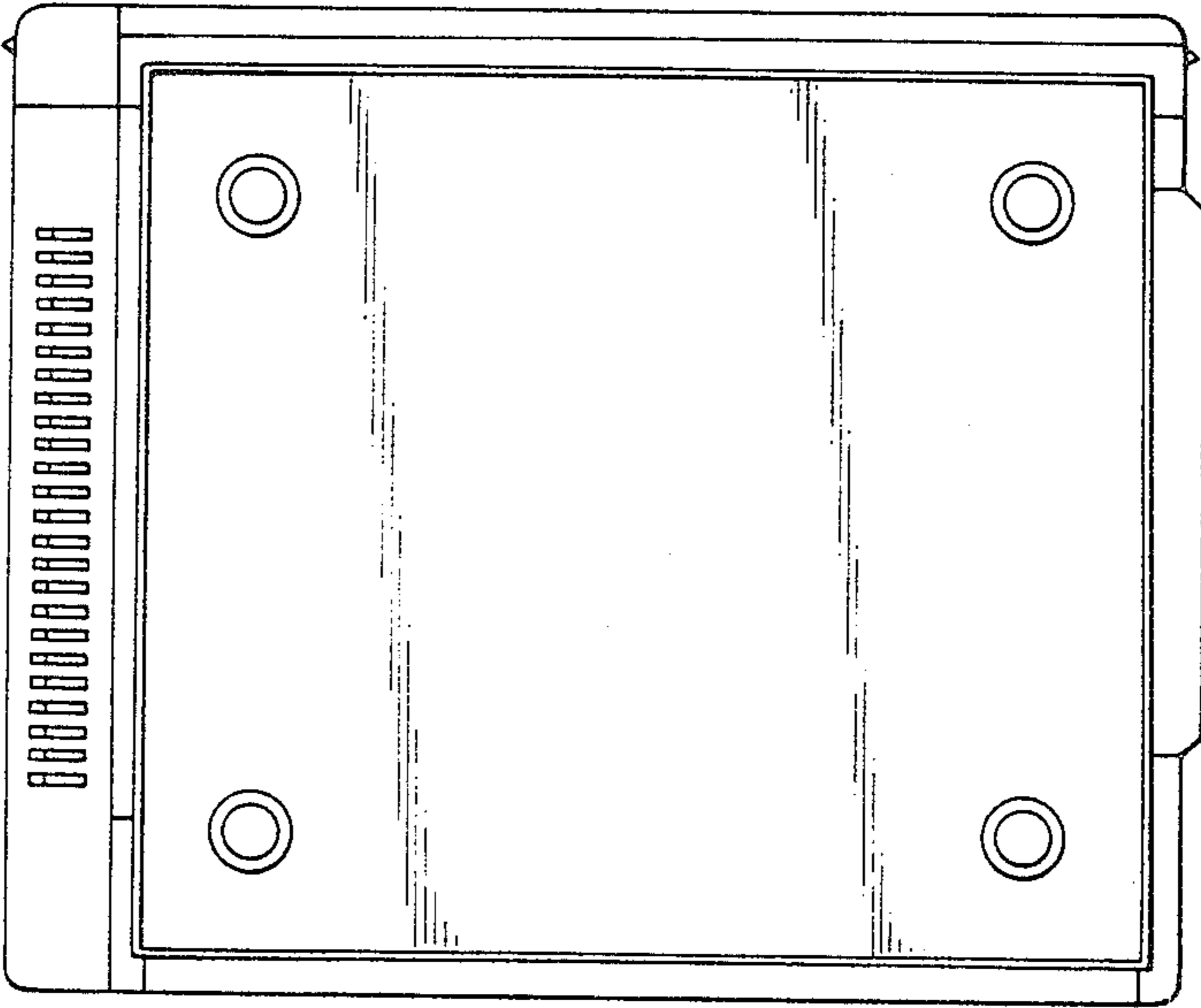


FIG. 15

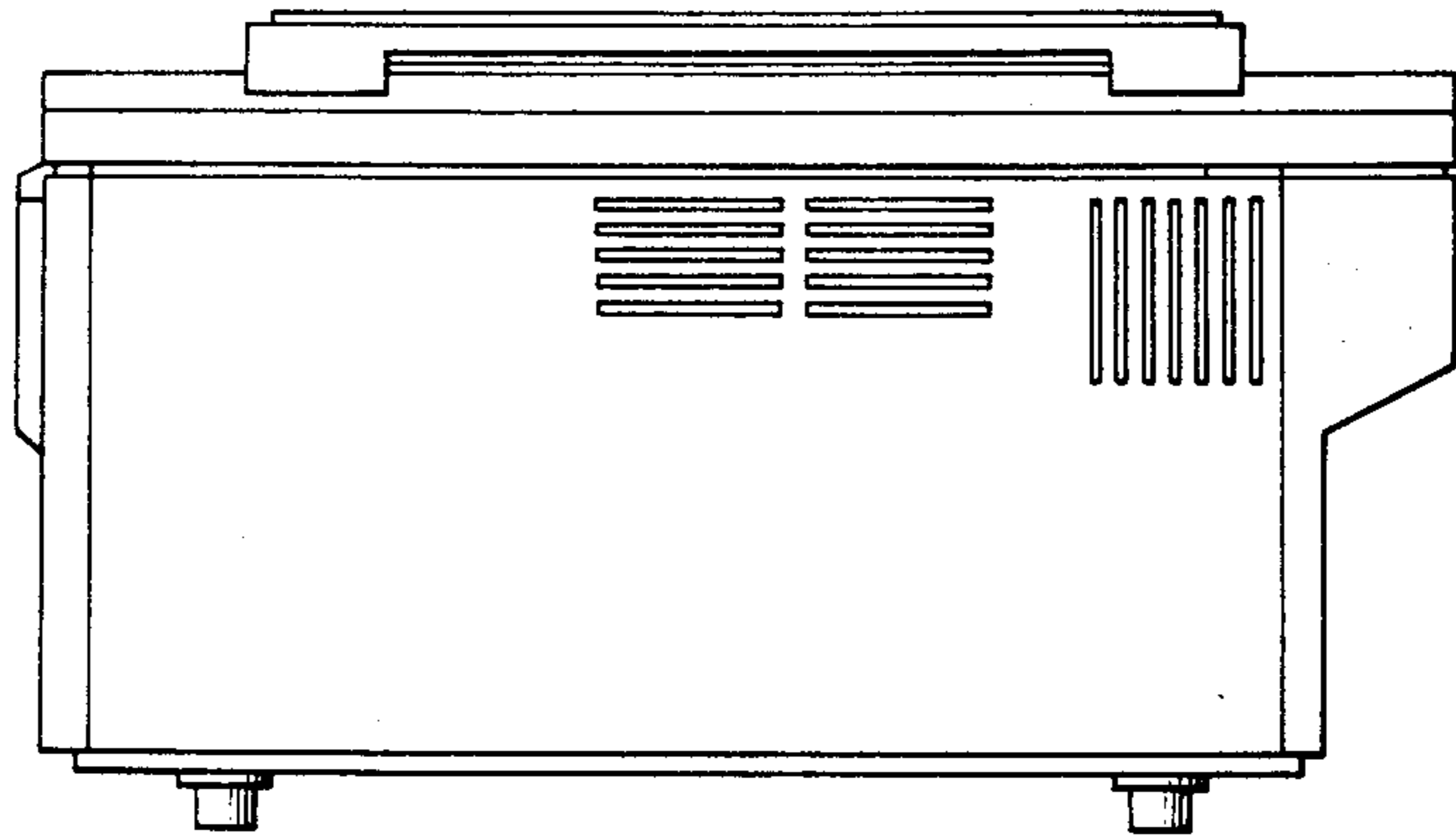


FIG. 16

