

[54] ELECTROSTATIC COPYING MACHINE

[75] Inventor: Kenichi Nakade, Yokohama, Japan

[73] Assignee: Ricoh Company, Ltd., Japan

[**] Term: 14 Years

[21] Appl. No.: 485,175

[22] Filed: Apr. 15, 1983

[30] Foreign Application Priority Data

Oct. 15, 1982 [JP] Japan 57-46871

[52] U.S. Cl. D16/31

[58] Field of Search D16/27-32;
355/3 R, 3 SH, 5-11, 14 SH, 18-19, 44-45, 51,
54, 64-65

[56] References Cited

U.S. PATENT DOCUMENTS

- D. 245,612 8/1977 Zeuthen D16/31
- D. 246,526 11/1977 Kurozumi D16/31
- D. 264,727 6/1982 Matsuzaka D16/31
- D. 270,253 8/1983 DuBois D16/31

- D. 270,452 9/1983 Sukurai D16/31
- 3,740,132 6/1973 Komori 355/8
- 4,204,668 5/1980 Yanagawa 355/3 SH X

Primary Examiner—Nelson C. Holtje
Attorney, Agent, or Firm—Guy W. Shoup

[57] CLAIM

The ornamental design for electrostatic copying machine, as shown and described.

DESCRIPTION

FIG. 1 is a front and top-right perspective view of an electrostatic copying machine showing my new design; FIG. 2 is a front elevational view thereof; FIG. 3 is a top plan view thereof; FIG. 4 is a right side elevational view thereof; FIG. 5 is a left side elevational view thereof; FIG. 6 is a bottom plan view thereof; FIG. 7 is a rear elevational view thereof; and FIG. 8 is a front and top right perspective view thereof with the paper feeding receiving trays in place. In FIGS. 1-7, the paper feeding, guiding and receiving trays have been omitted for ease of illustration and clarity.

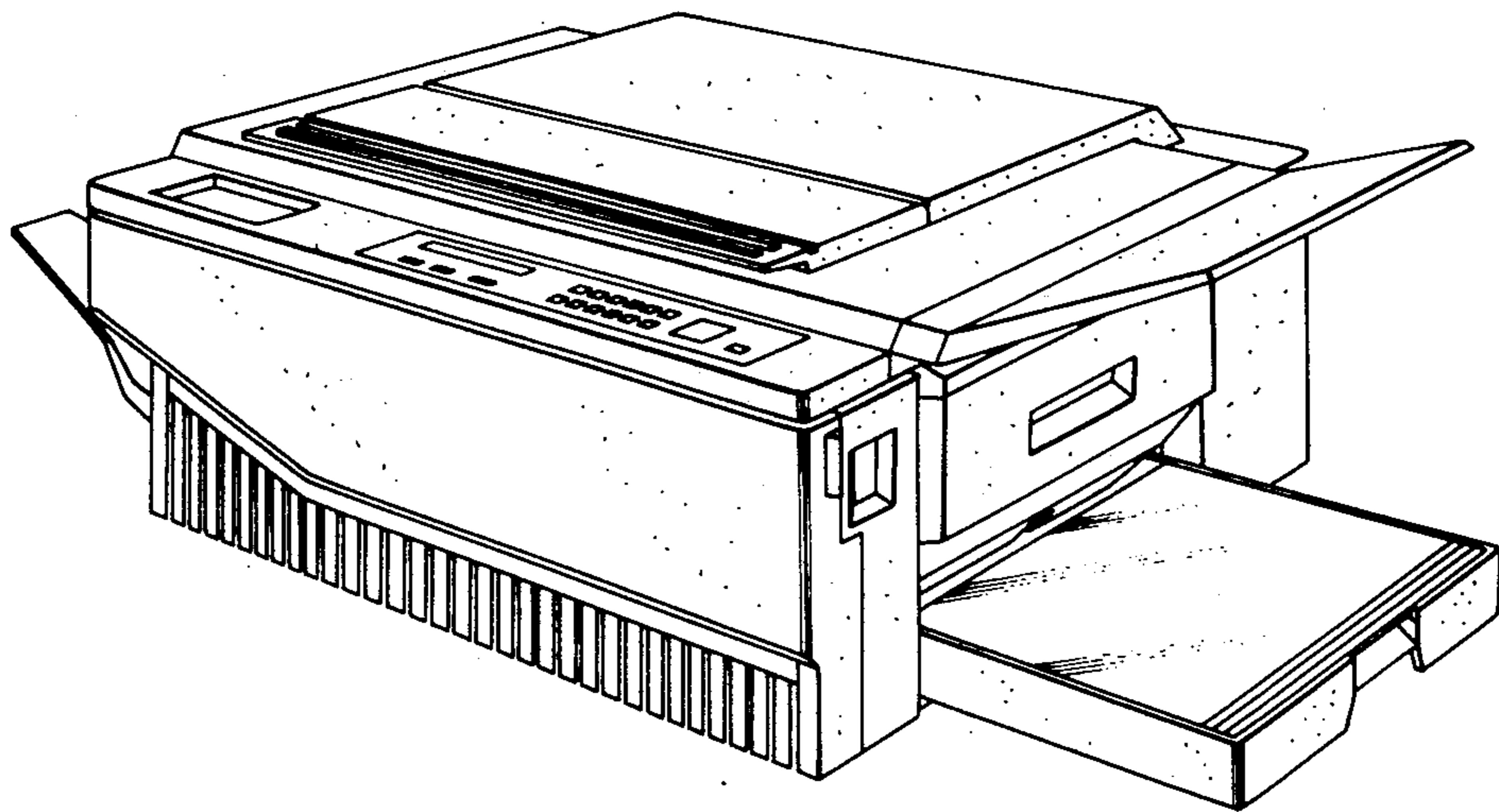


FIG. 1

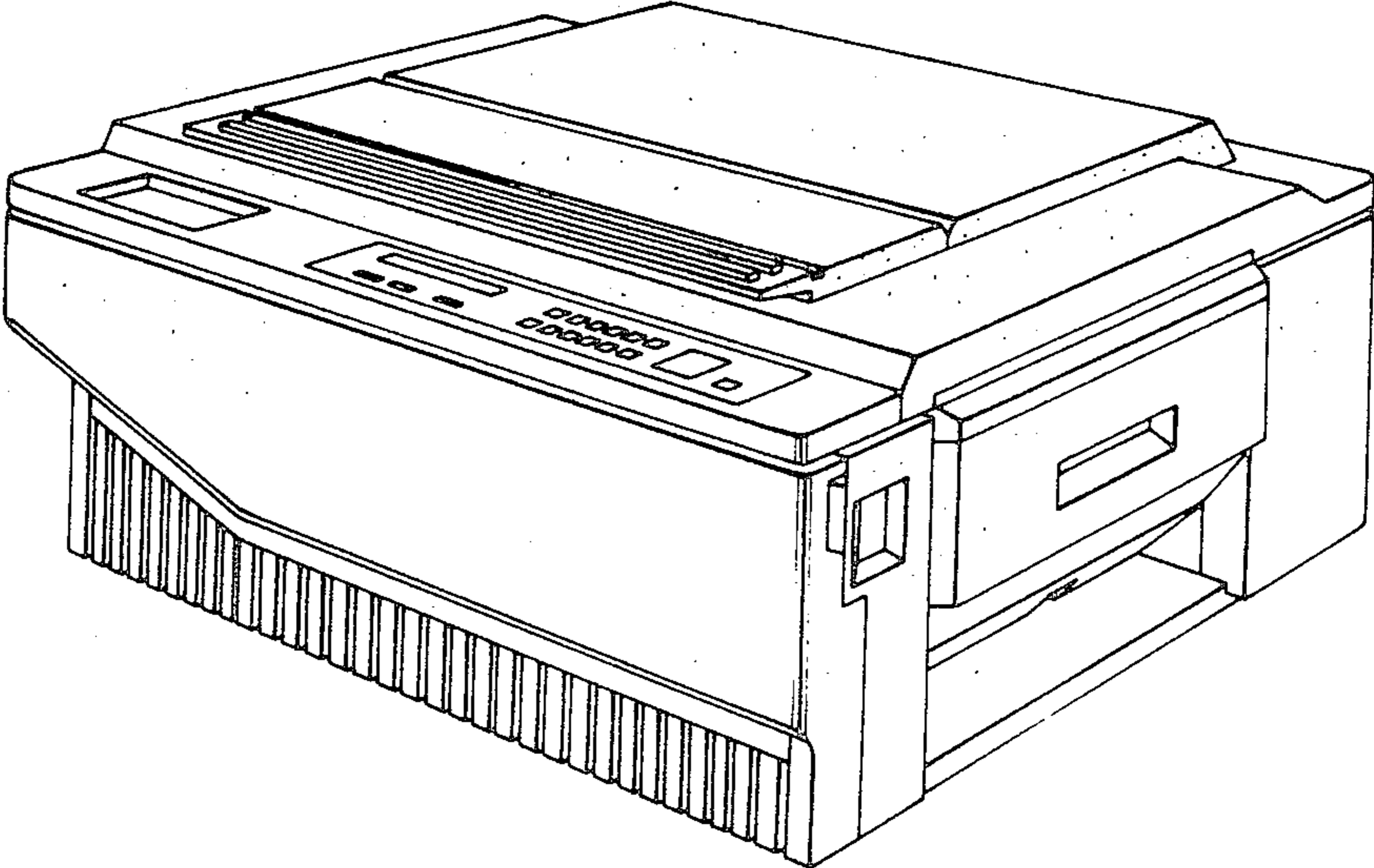


FIG. 2

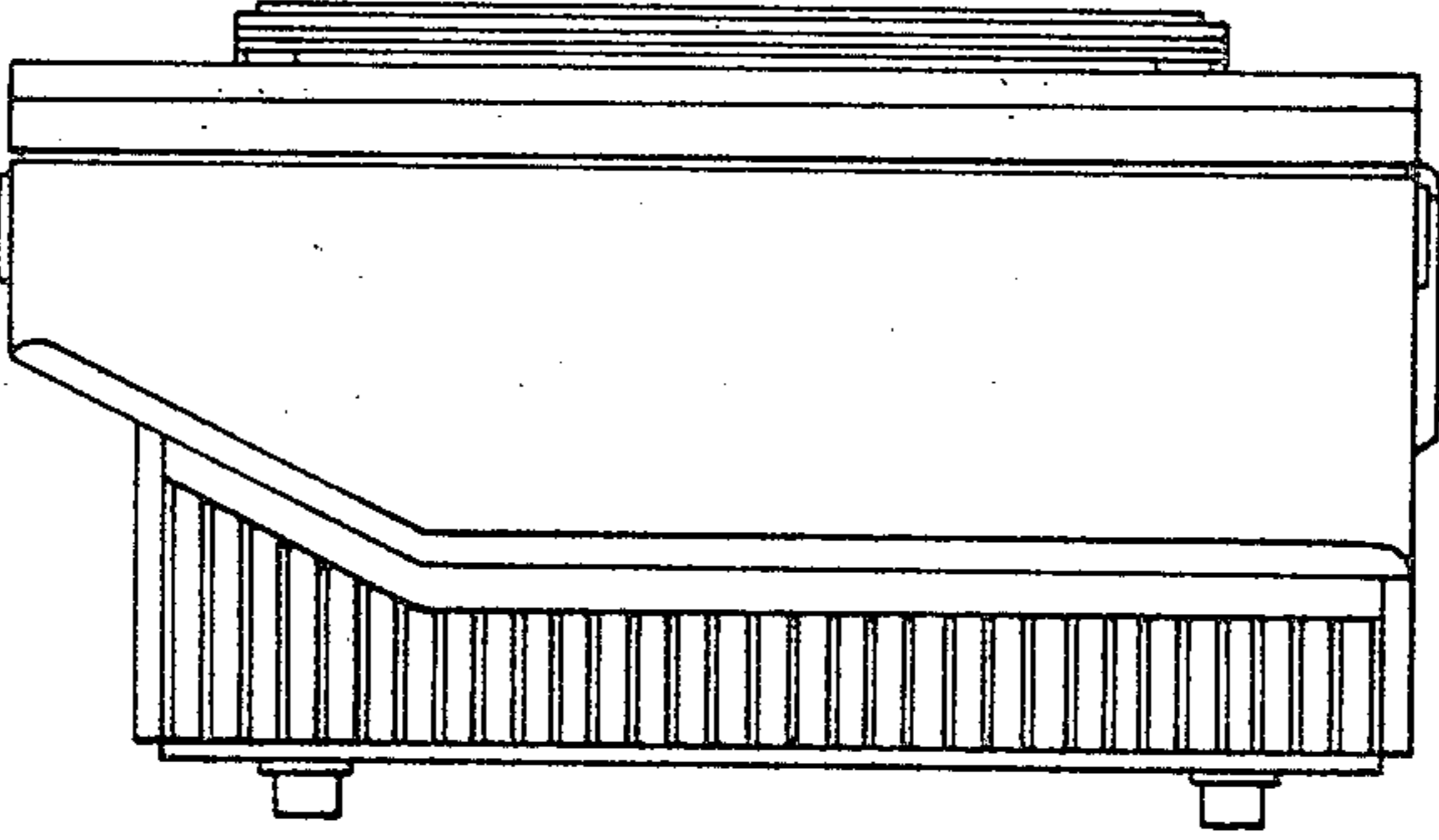


FIG. 3

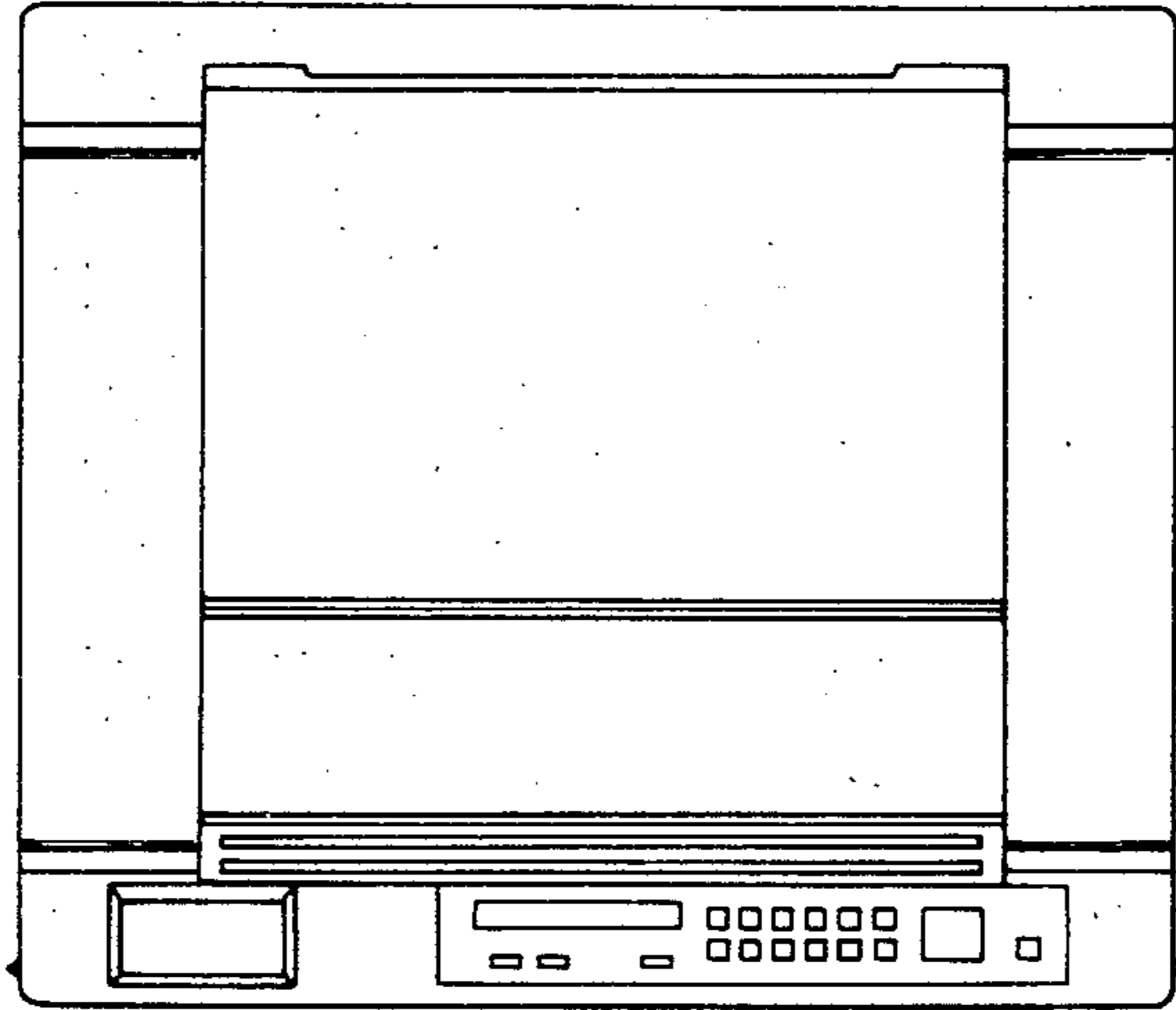


FIG. 4

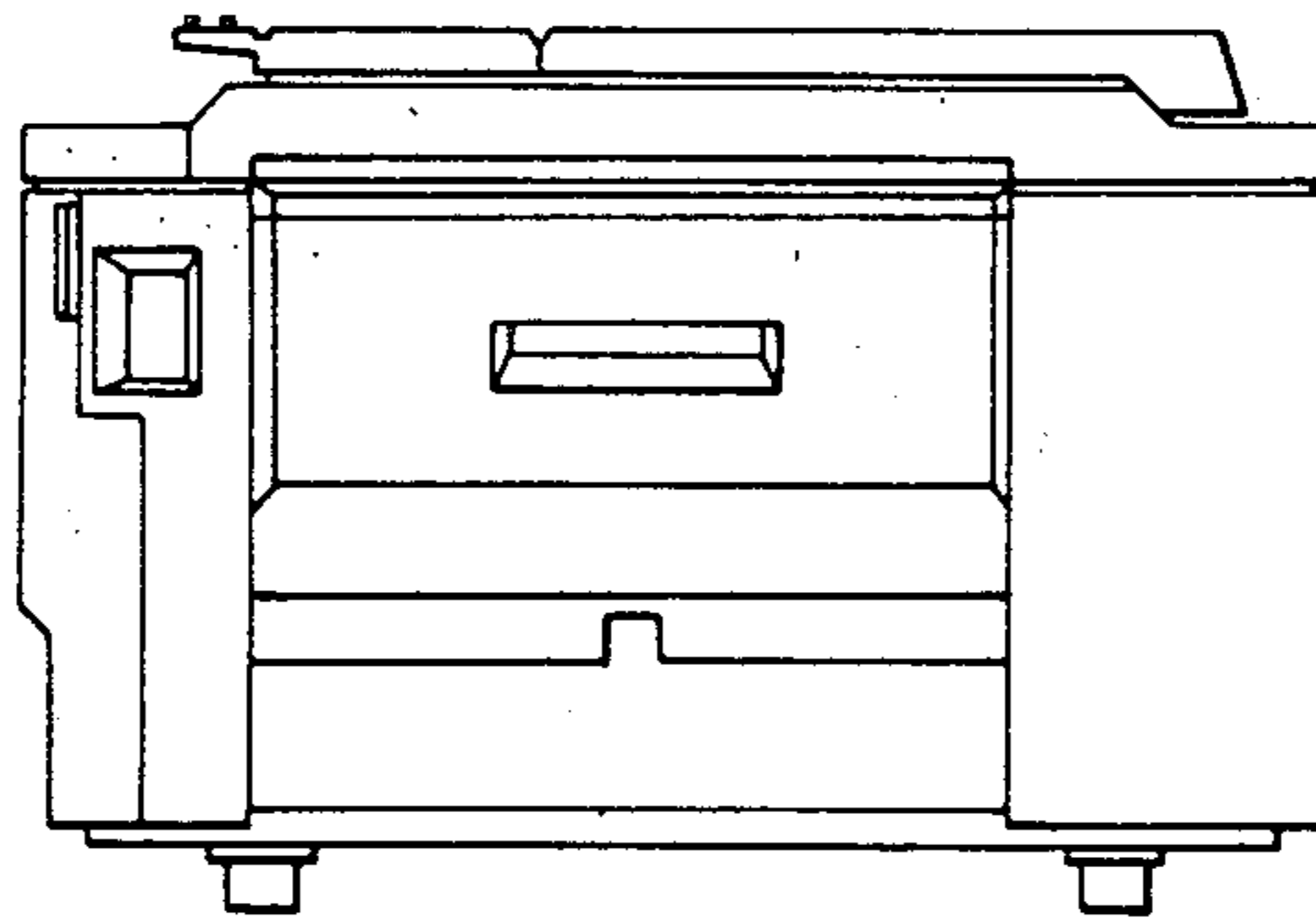


FIG. 5

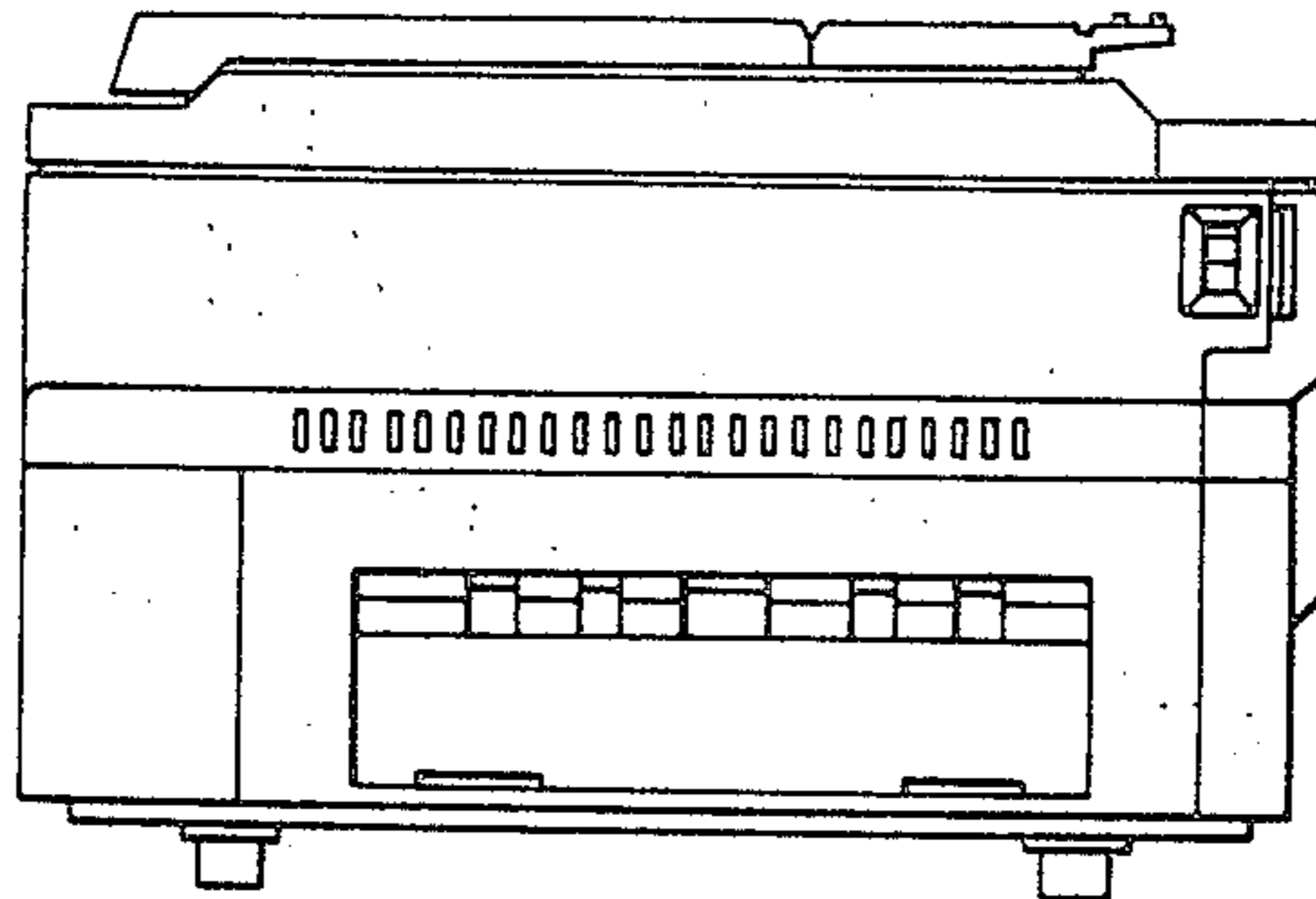


FIG. 6

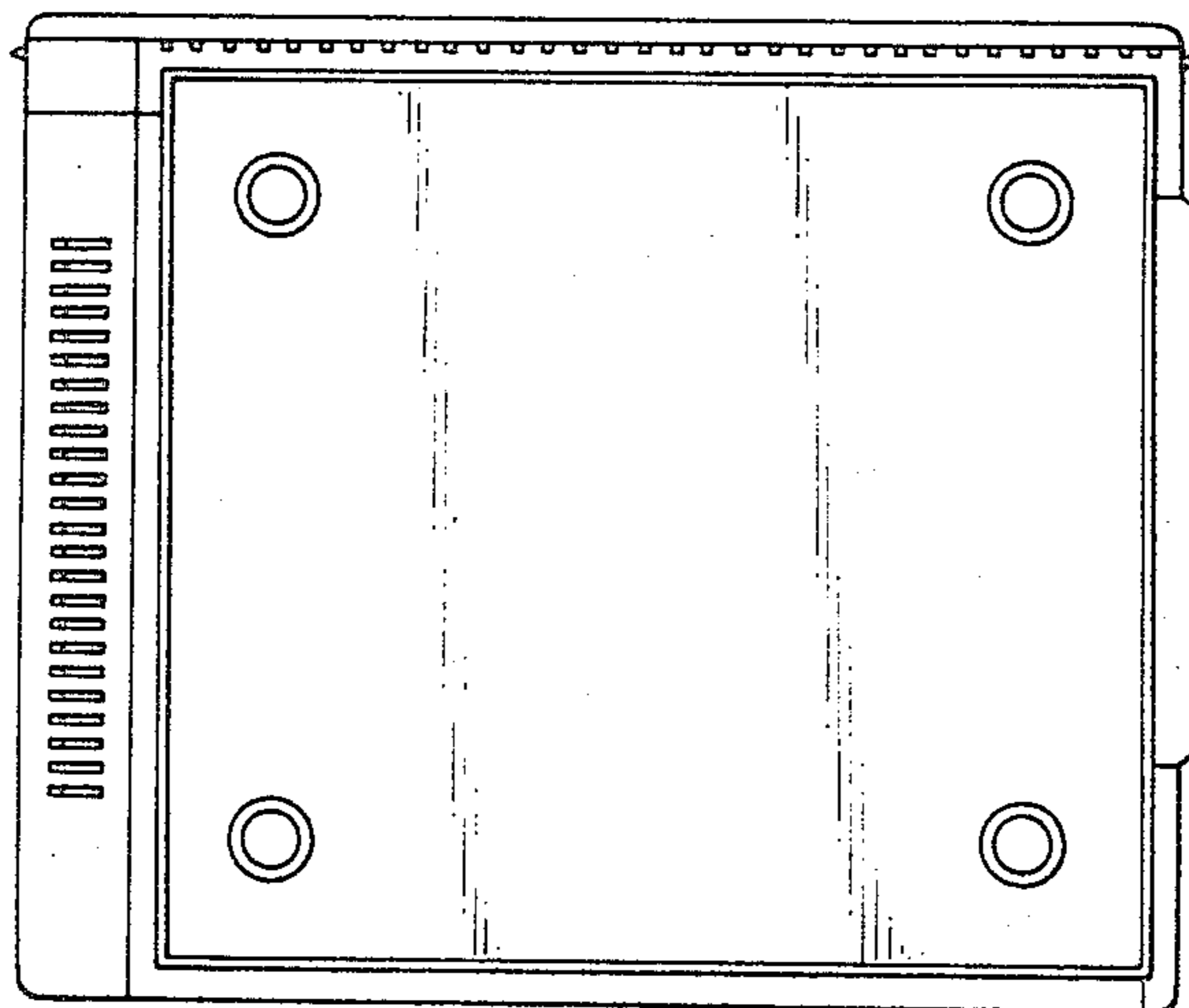


FIG. 7

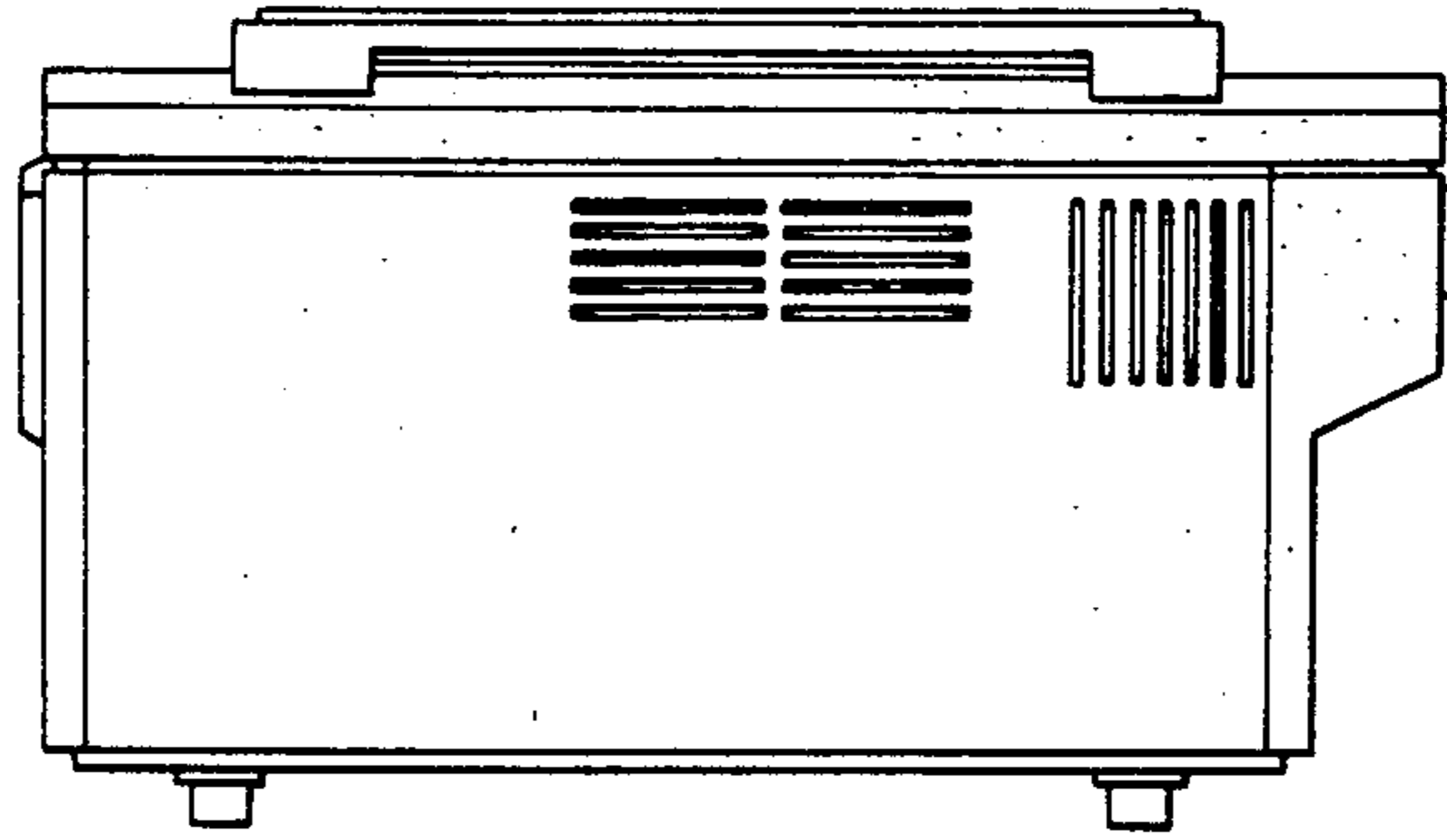


FIG. 8

