

[54] LADLE FOR ALUMINUM DIE CASTING OR THE LIKE

[75] Inventors: Stuart Z. Uram, Alpine, N.J.; Jerome Fischman, New York, N.Y.

[73] Assignee: Certech, Inc., Wood-Ridge, N.J.

[**] Term: 14 Years

[21] Appl. No.: 508,568

[22] Filed: Jun. 28, 1983

[52] U.S. Cl. D15/135

[58] Field of Search D15/135; 222/629, 590, 222/591, 604; 164/335; 65/324, 374.13; 266/236

[56] References Cited

U.S. PATENT DOCUMENTS

D. 142,792	11/1945	Ripich	D15/135
2,774,123	12/1956	Reighart	164/335
3,196,504	7/1965	Limes	266/236
4,074,837	2/1978	Engel	222/629

4,078,707	3/1978	Ishikawa	222/629
4,112,998	9/1978	Sato	164/335
4,289,259	9/1981	O'Brien	222/590

FOREIGN PATENT DOCUMENTS

0885365	11/1971	Canada	266/236
---------	---------	--------	-------	---------

Primary Examiner—B. J. Bullock
Attorney, Agent, or Firm—Amster, Rothstein & Engelberg

[57] CLAIM

The ornamental design for a ladle for aluminum die casting or the like, substantially as shown and described.

DESCRIPTION

FIG. 1 is an isometric view of a ladle for aluminum die casting or the like showing our new design; FIG. 2 is a front elevational view thereof; FIG. 3 is a top plan view thereof; FIG. 4 is a side elevational view thereof; FIG. 5 is a rear elevational view thereof; and FIG. 6 is a bottom plan view thereof.

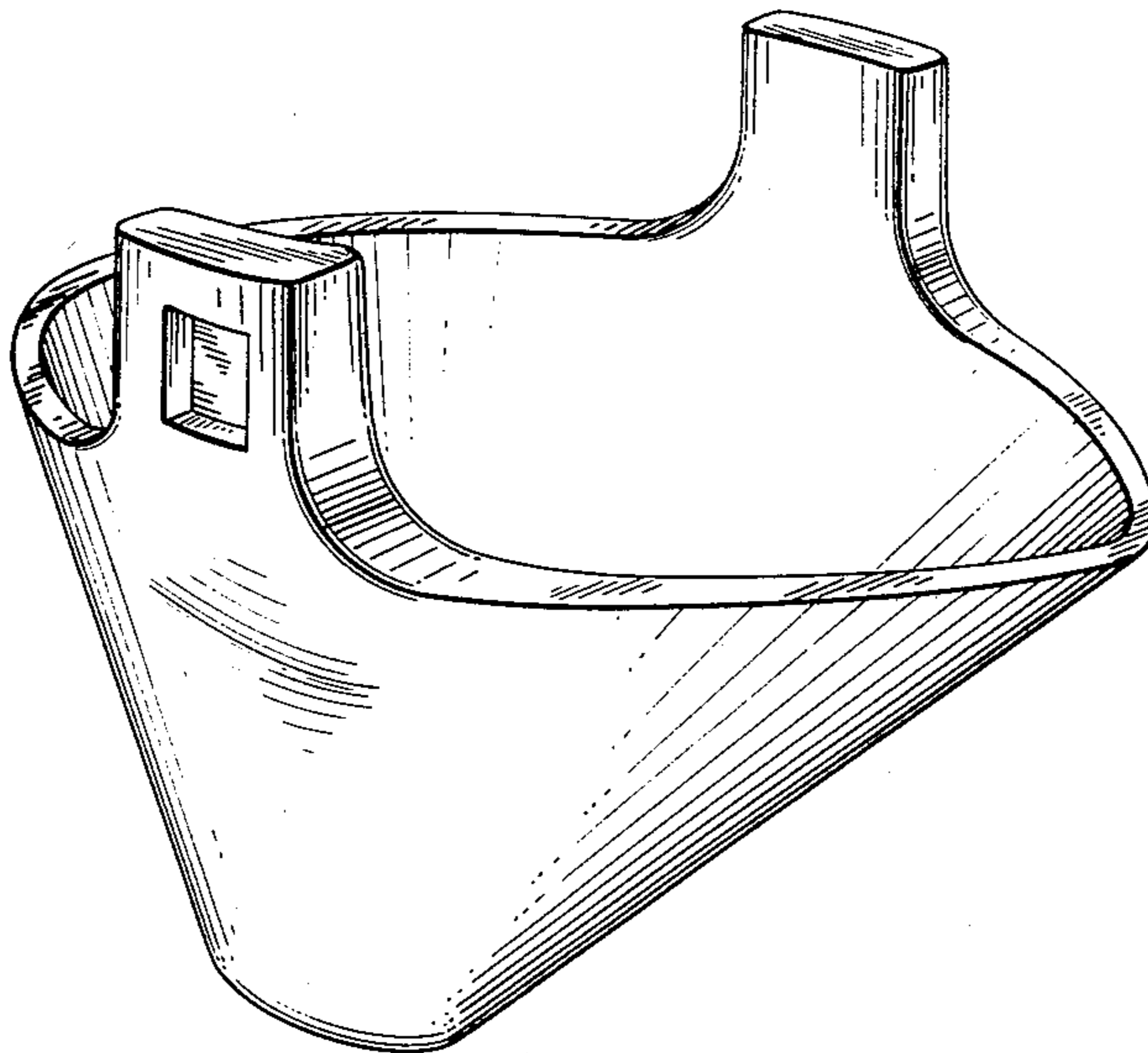


FIG. 2

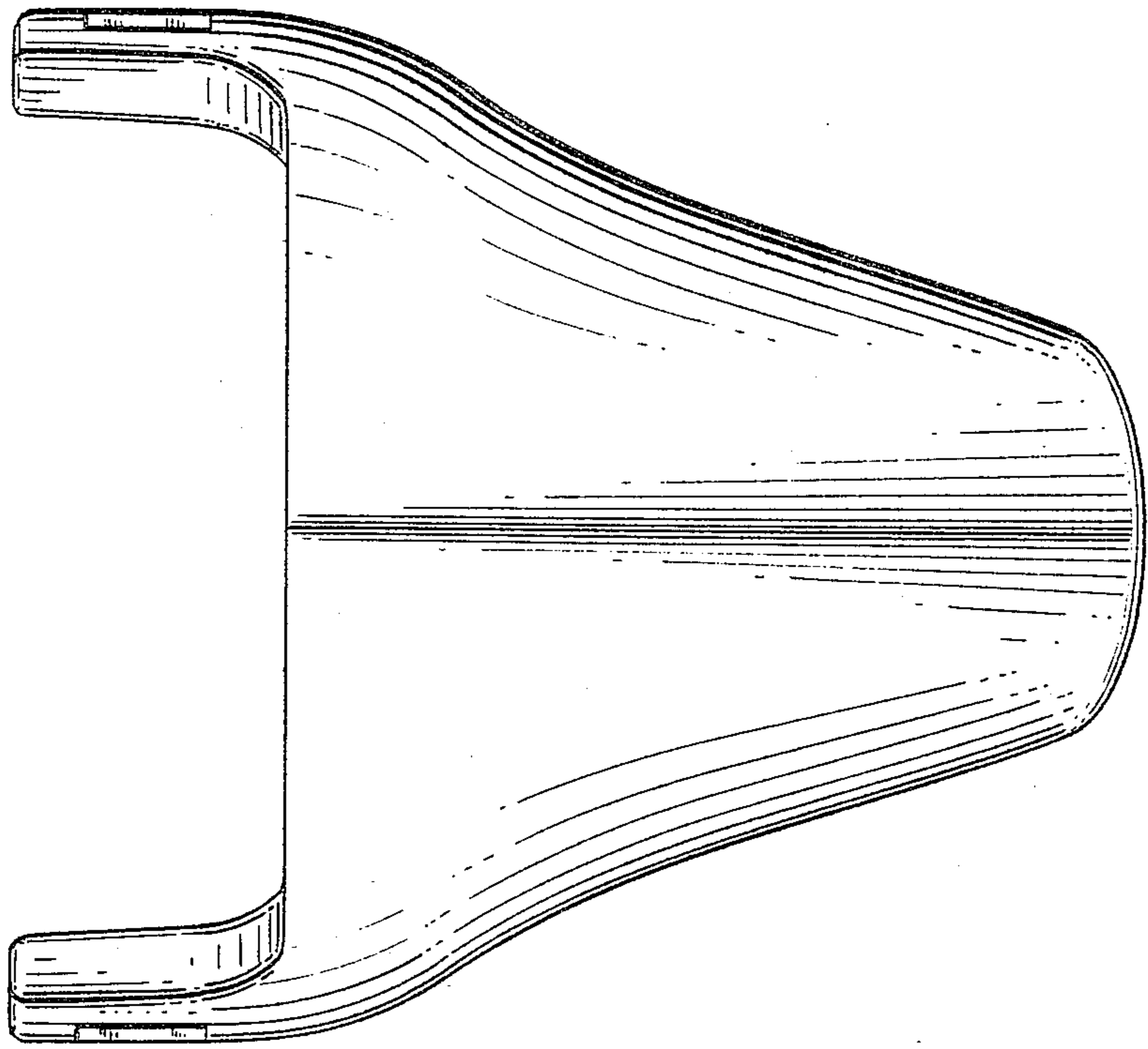


FIG. 1

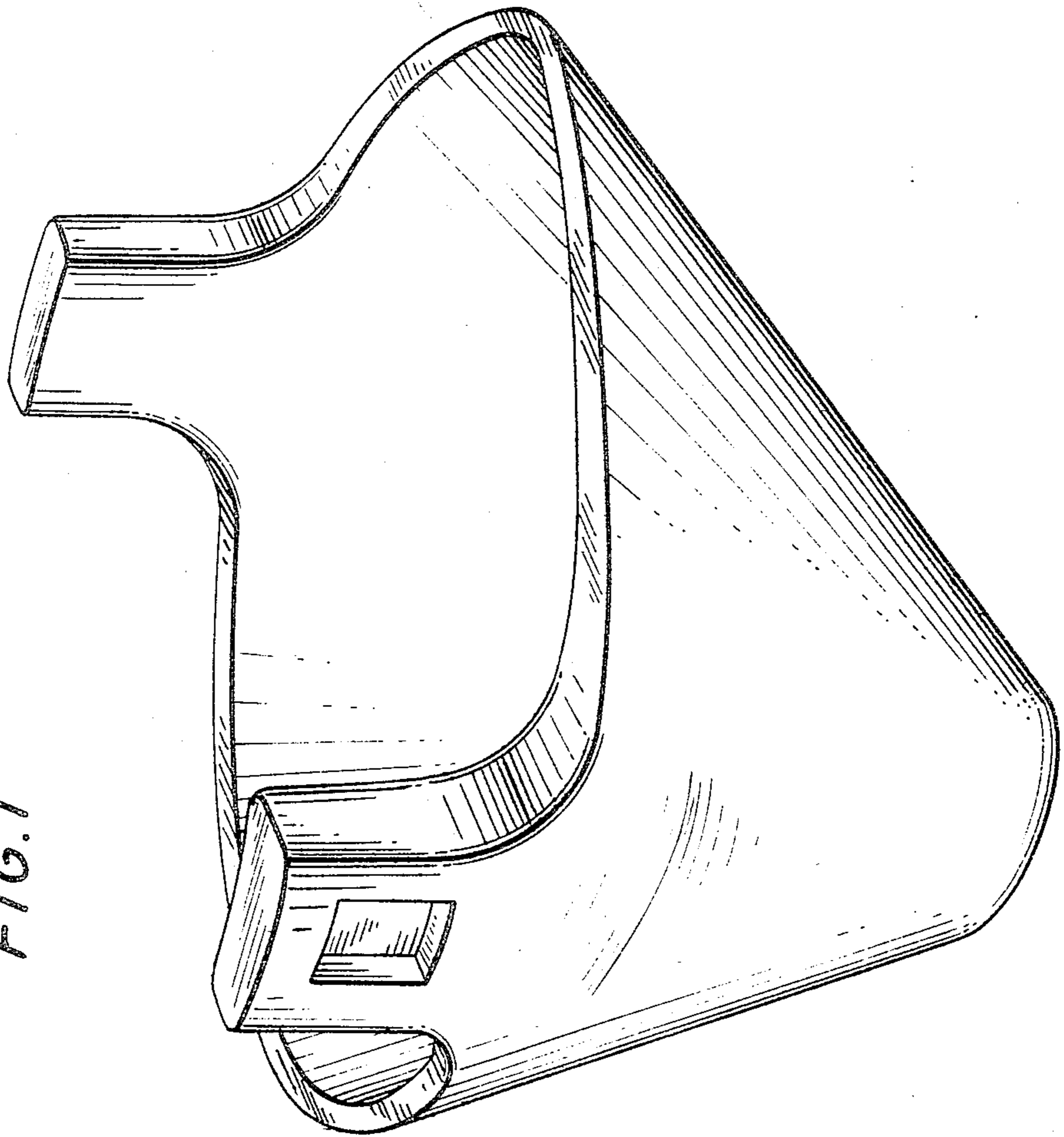


FIG. 3

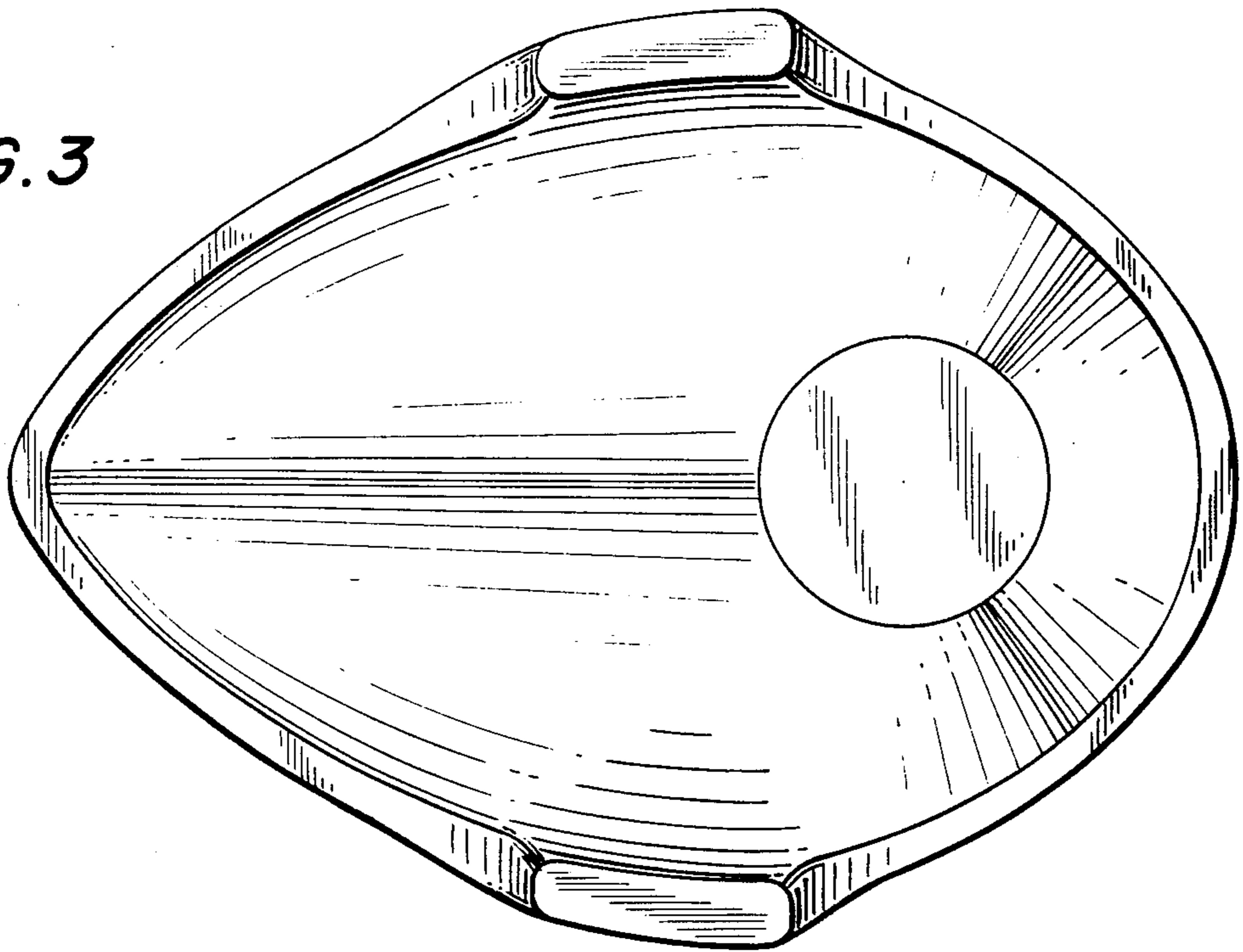


FIG. 4

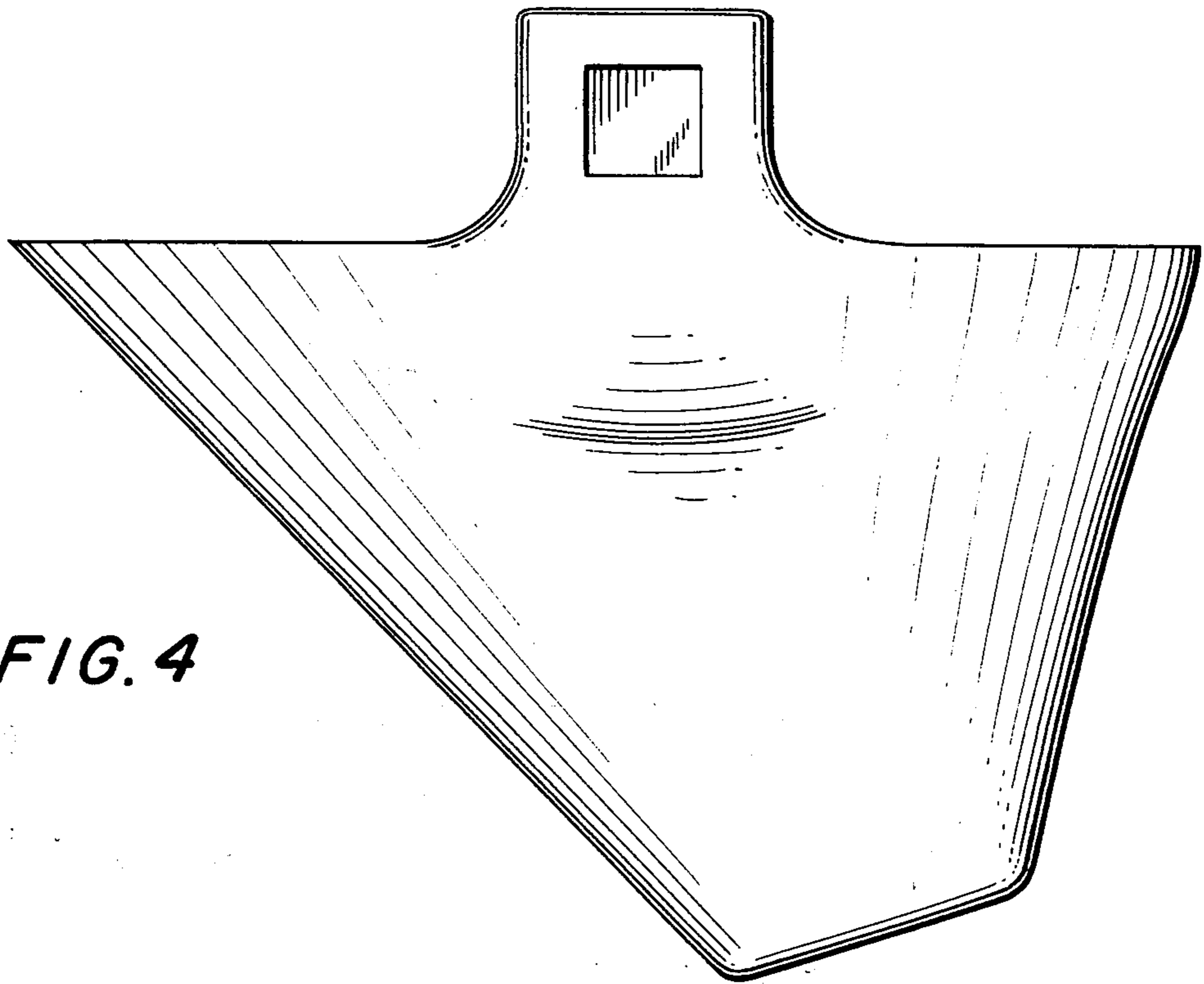


FIG. 5

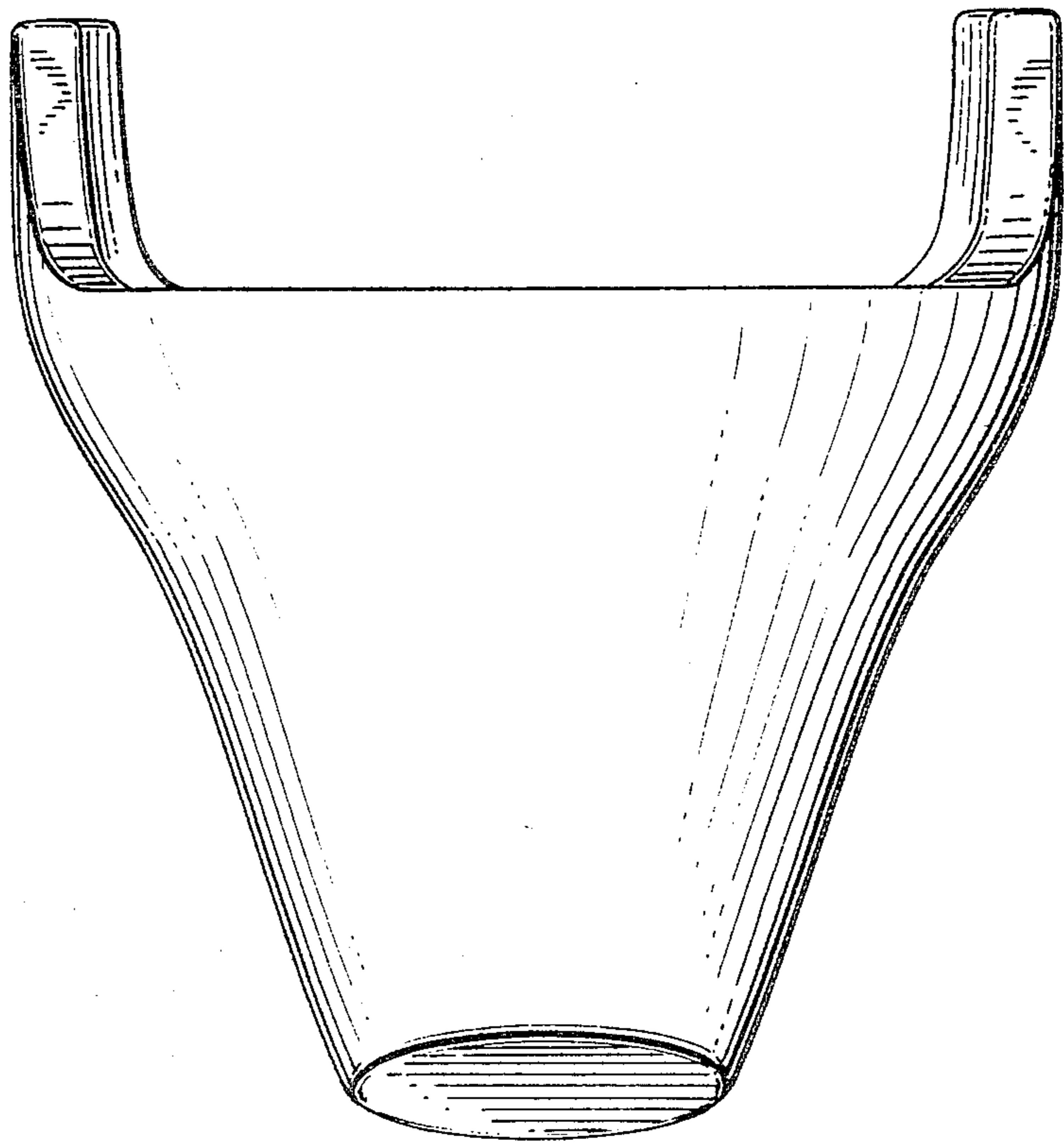


FIG. 6

