

[54] DRILL PRESS

[76] Inventor: Ruey Z. Chen, 18, La. 144, Tucheng Rd., Tali Hsiang, Taichung Hsien, Taiwan

[**] Term: 14 Years

[21] Appl. No.: 372,692

[22] Filed: Apr. 28, 1982

[52] U.S. Cl. D15/132

[58] Field of Search D15/122, 123, 132; 29/26 R; 408/72 R; 72/333

[56] References Cited

U.S. PATENT DOCUMENTS

- D. 222,108 9/1971 Freer D15/132
- D. 233,168 10/1974 Adams D15/132
- D. 257,679 12/1980 Cleary et al. D15/132

- 2,572,756 10/1951 Plimmer et al. 29/26 R
- 4,187,601 2/1980 Aldrin 29/26 R

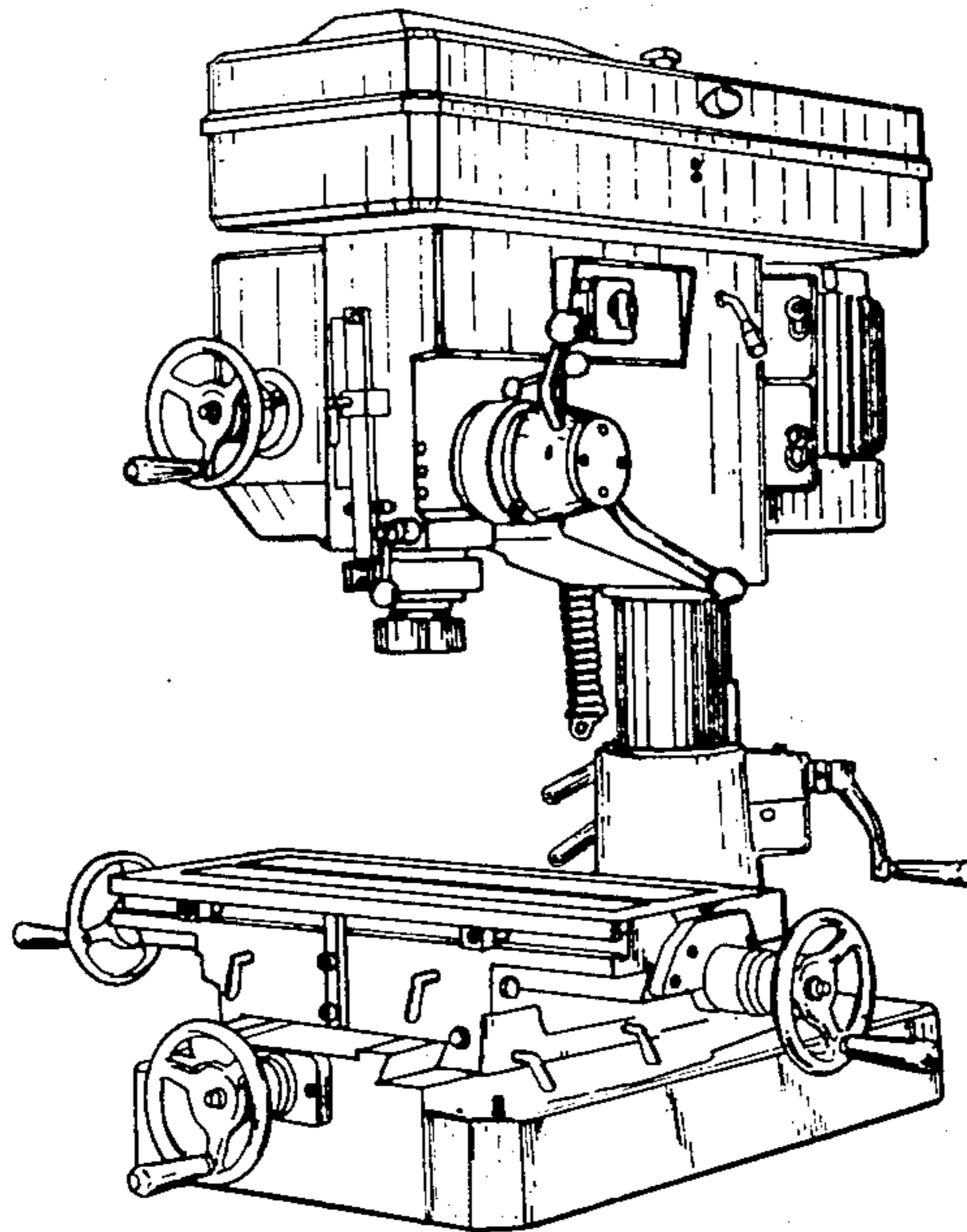
Primary Examiner—B. J. Bullock
Attorney, Agent, or Firm—Leonard Bloom

[57] CLAIM

The ornamental design for a drill press, substantially as shown and described.

DESCRIPTION

FIG. 1 is an enlarged perspective view of a drill press showing my new design;
 FIG. 2 is a top view thereof, the bottom being unornamented;
 FIG. 3 is a side view taken from the left of FIG. 1;
 FIG. 4 is a front view thereof;
 FIG. 5 is an enlarged rear elevational view thereof, in its extended position.



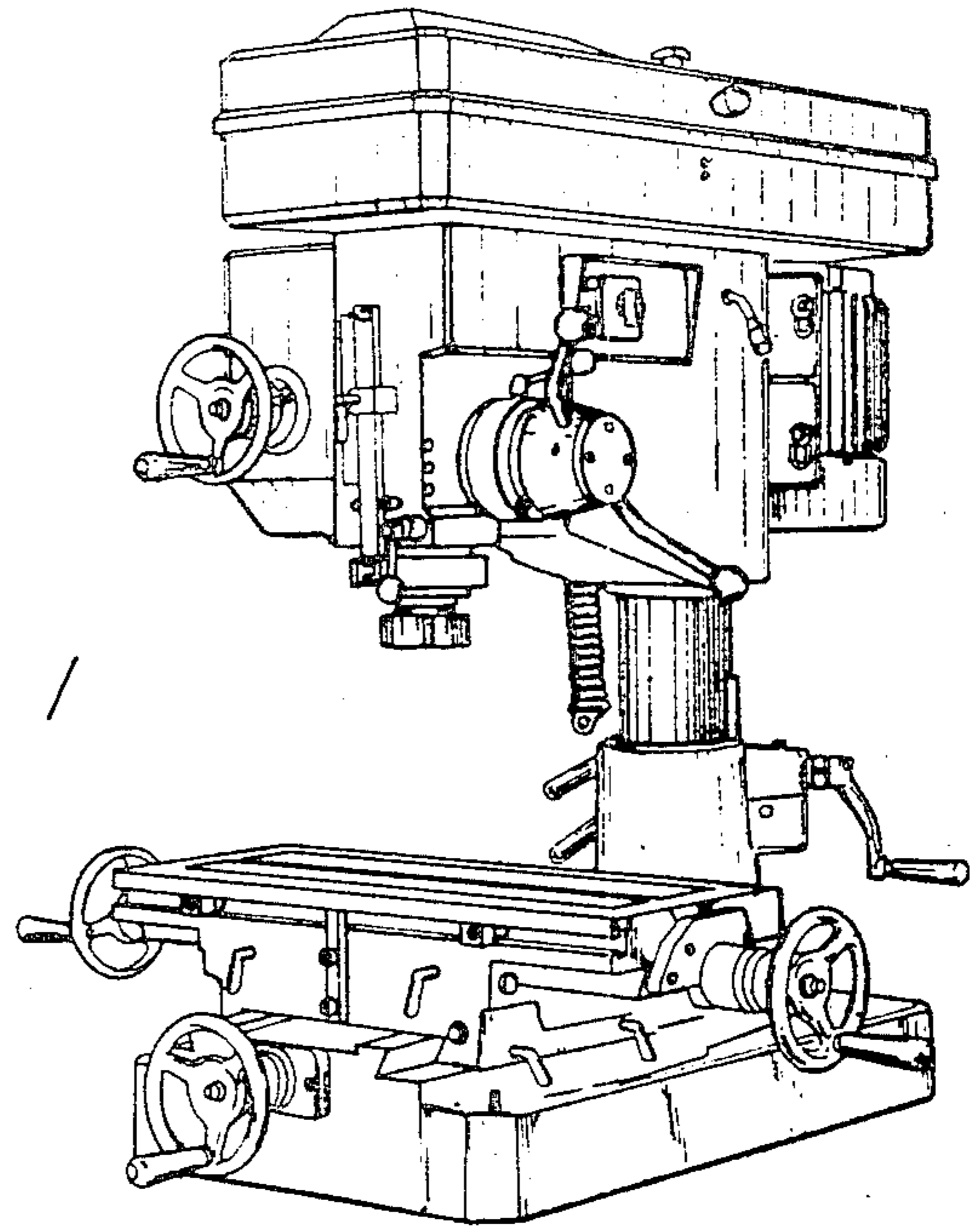


Fig. 1

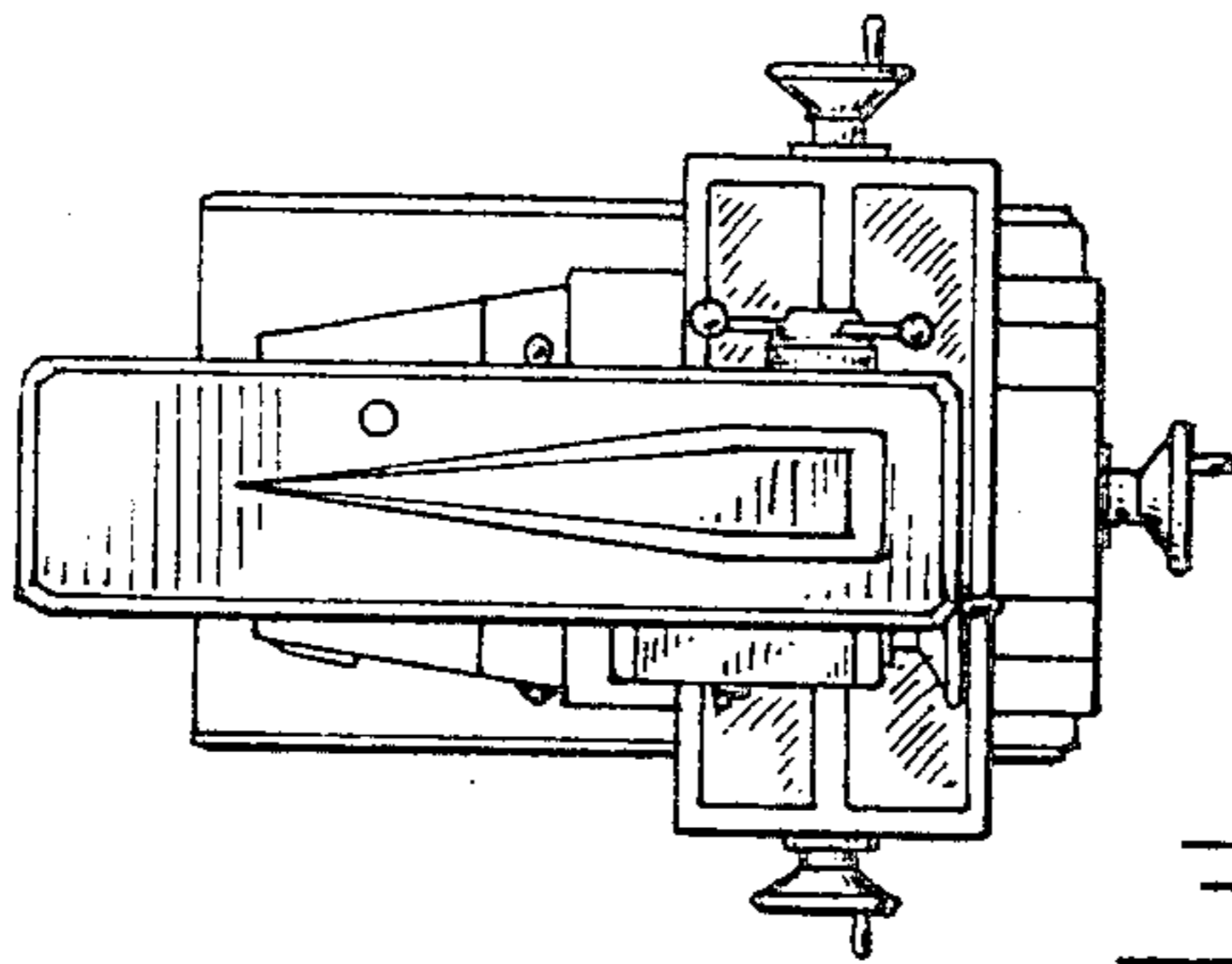


Fig. 2

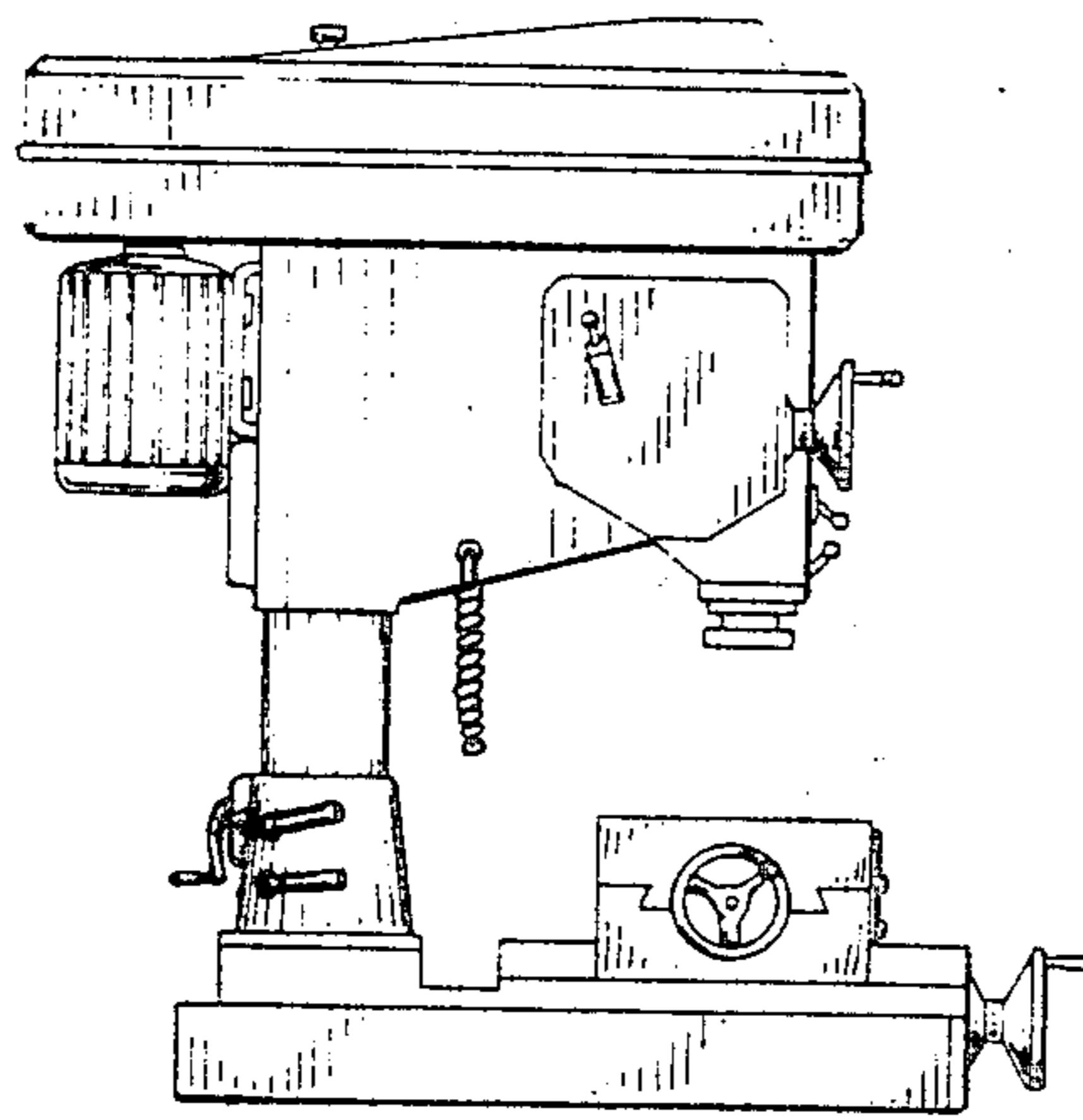


Fig. 3

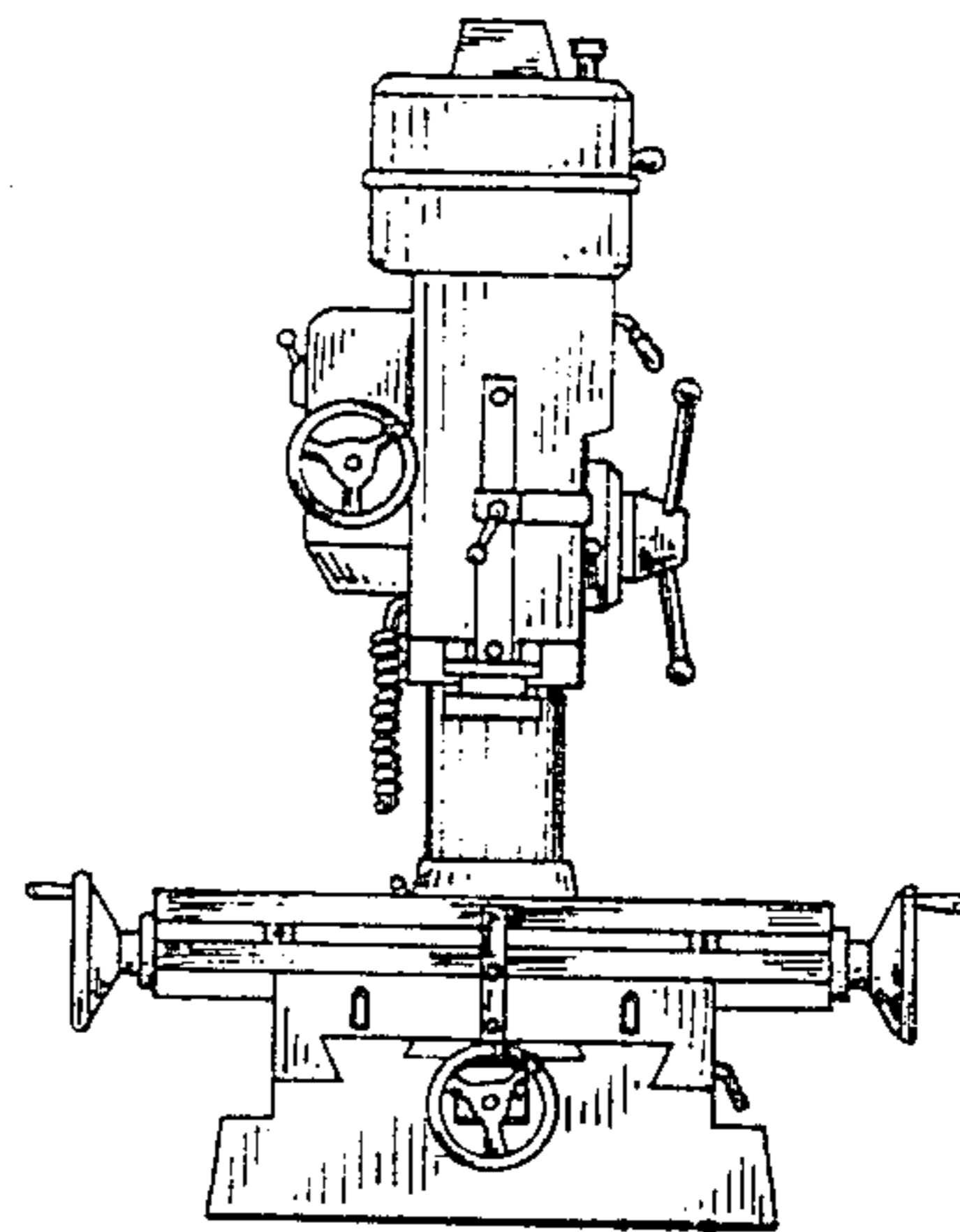


Fig. 4

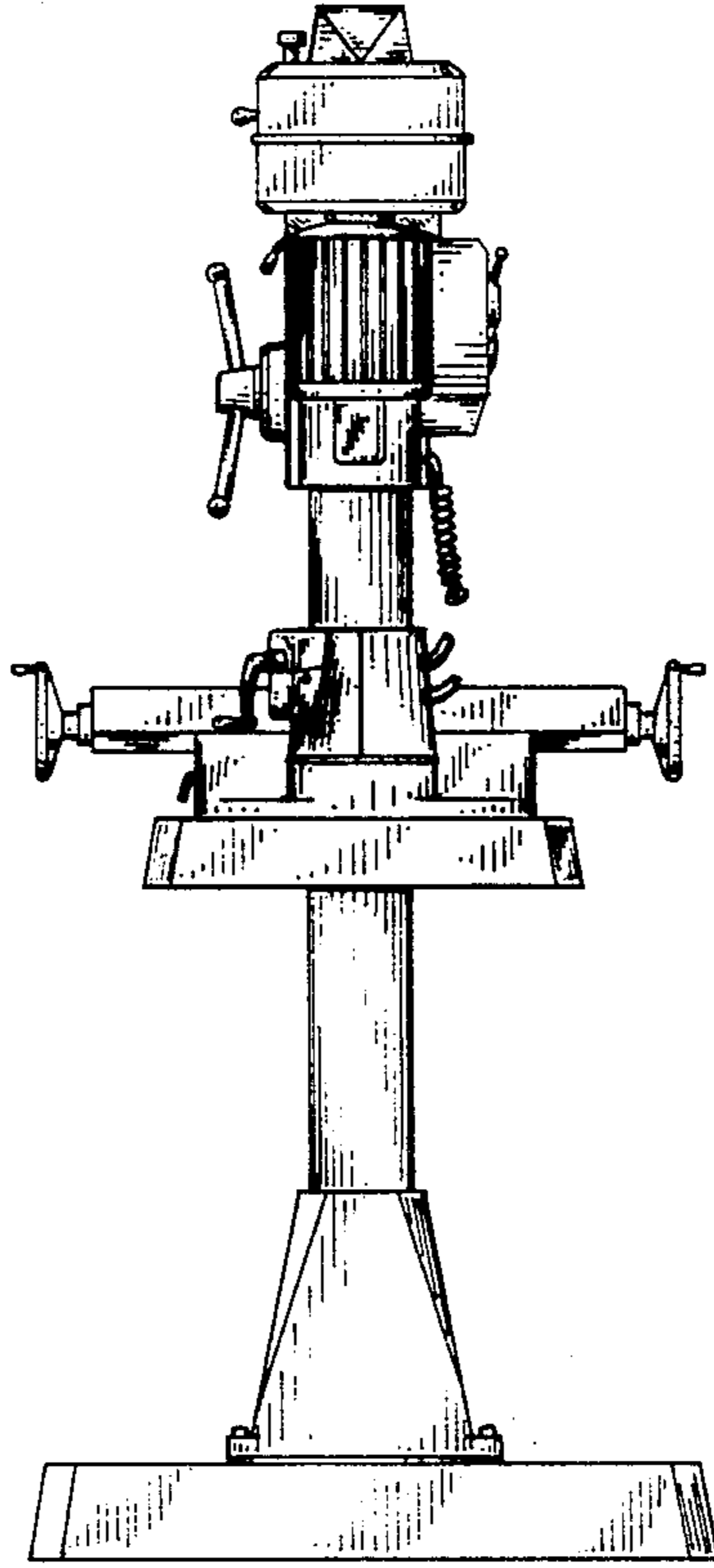


Fig. 5