

[54] PAVEMENT SEALANT SPREADER

4,089,446 5/1978 Logan et al. 239/172

[76] Inventor: Alphonse Verive, 577 Sidney, Glendale Heights, Ill. 60137

Primary Examiner—B. J. Bullock
Assistant Examiner—Suzanne N. Gitlin
Attorney, Agent, or Firm—Alan R. Thiele

[**] Term: 14 Years

[57] CLAIM

[21] Appl. No.: 472,960

The ornamental design for a pavement sealant spreader or the like, substantially as shown and described.

[22] Filed: Mar. 7, 1983

[52] U.S. Cl. D15/13

[58] Field of Search D15/10, 13, 27;
239/159, 172, 685; 404/111

DESCRIPTION

[56] References Cited

U.S. PATENT DOCUMENTS

3,175,739	3/1965	Speicher	D15/13
3,841,779	10/1974	Ray	404/111
3,907,212	9/1975	Ullom	239/685
3,989,403	11/1976	Verive	404/111

FIG. 1 is a top plan view of a pavement sealant spreader showing in my new design;

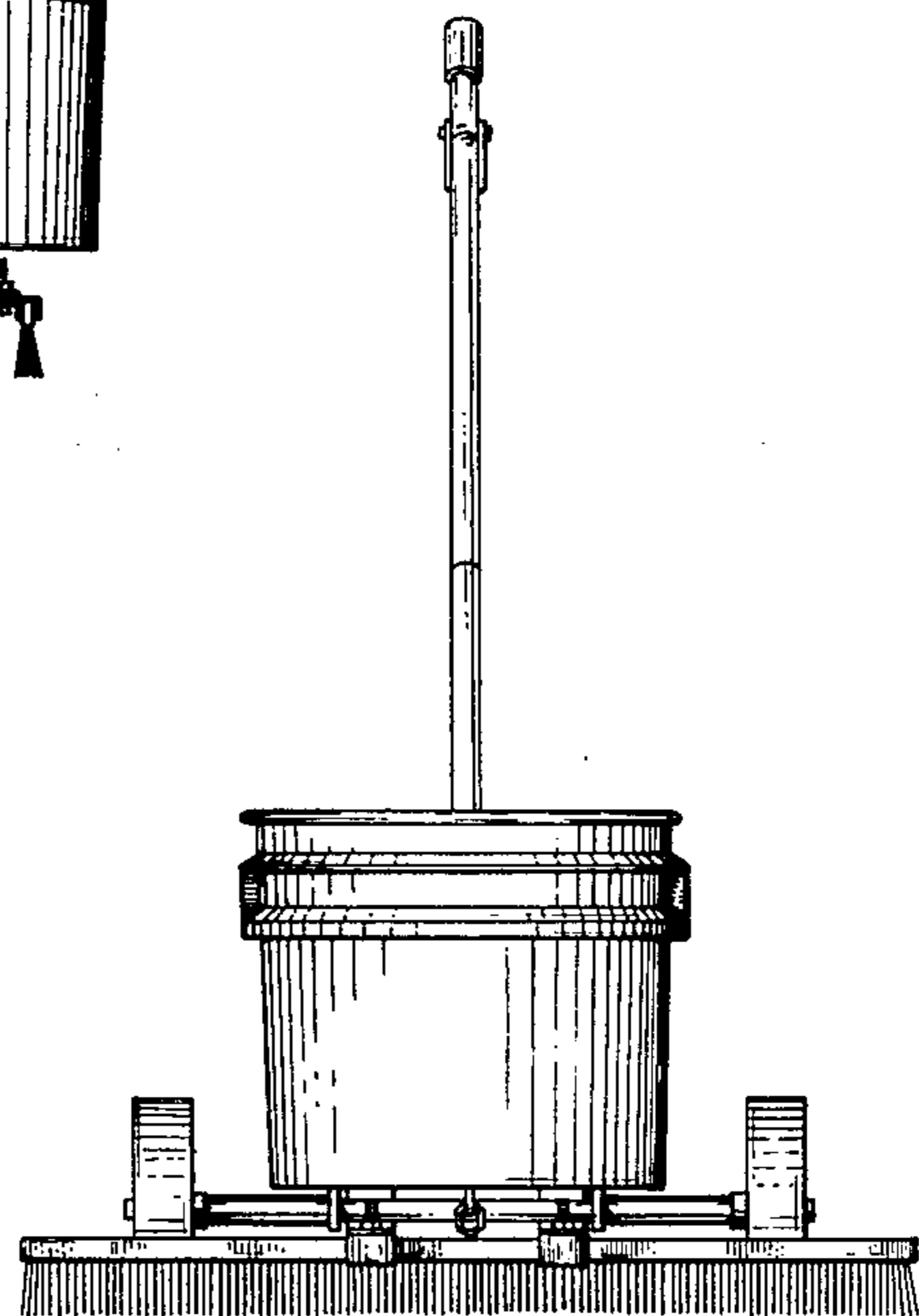
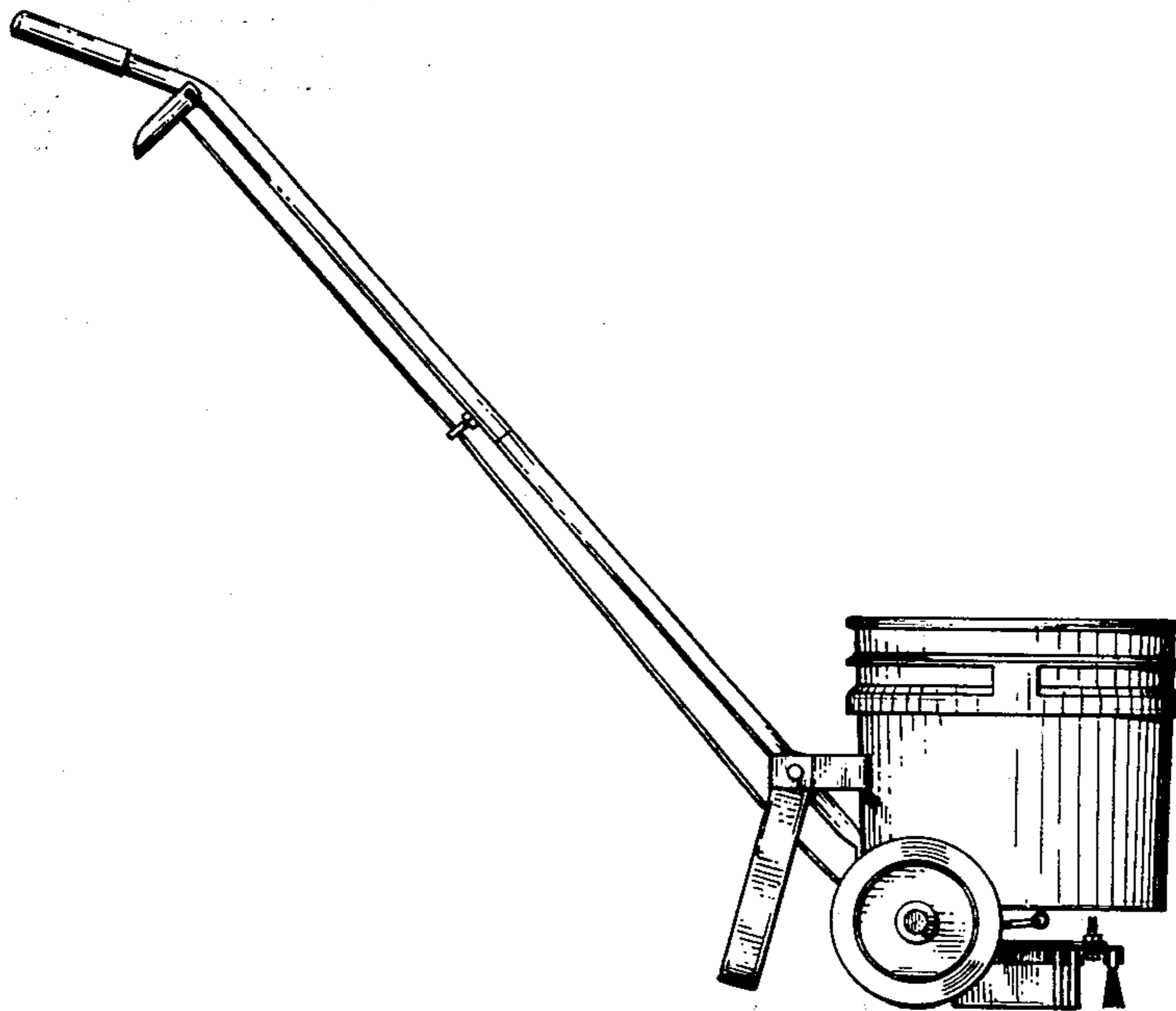
FIG. 2 is a side elevational view taken from the left side of FIG. 1;

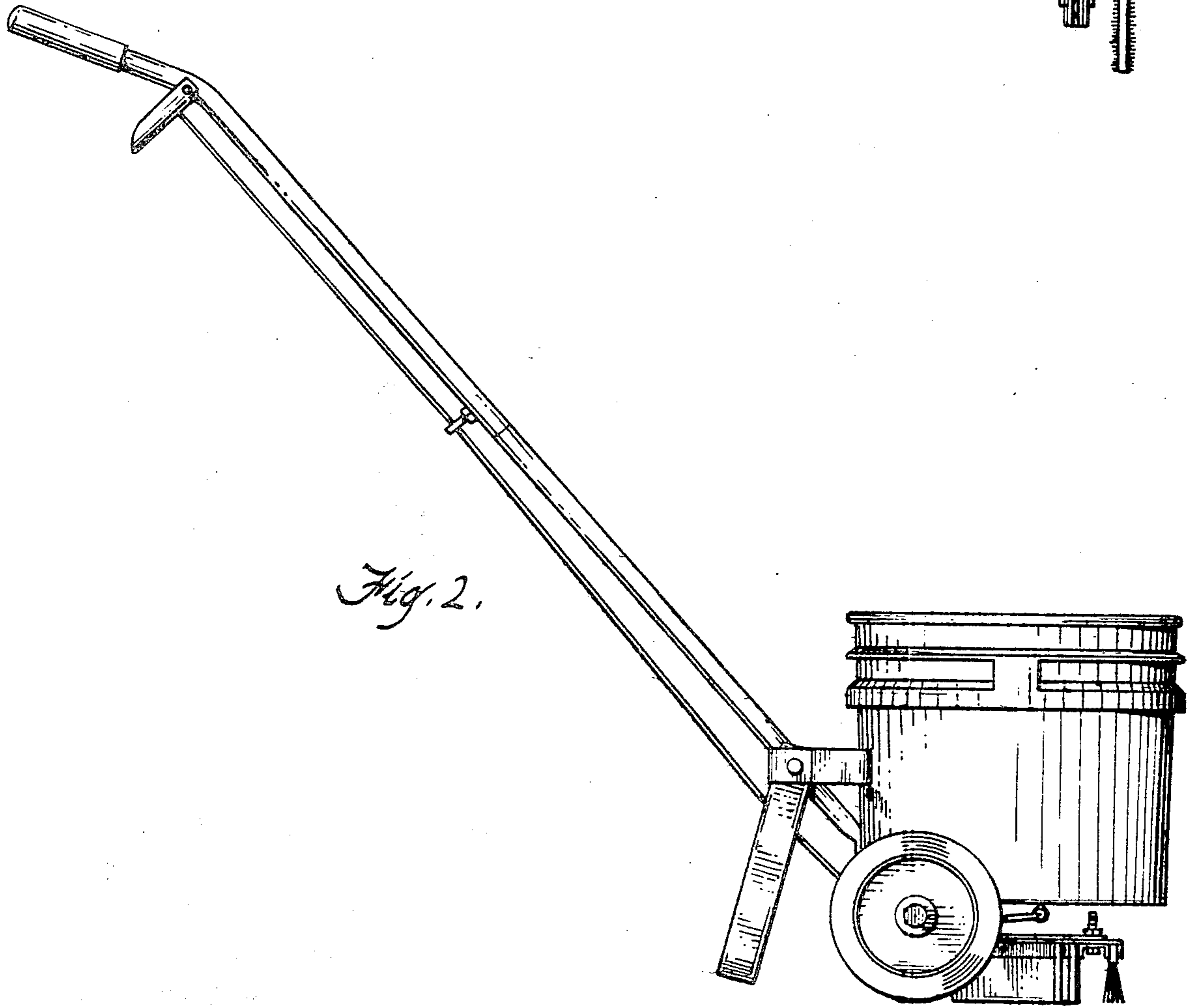
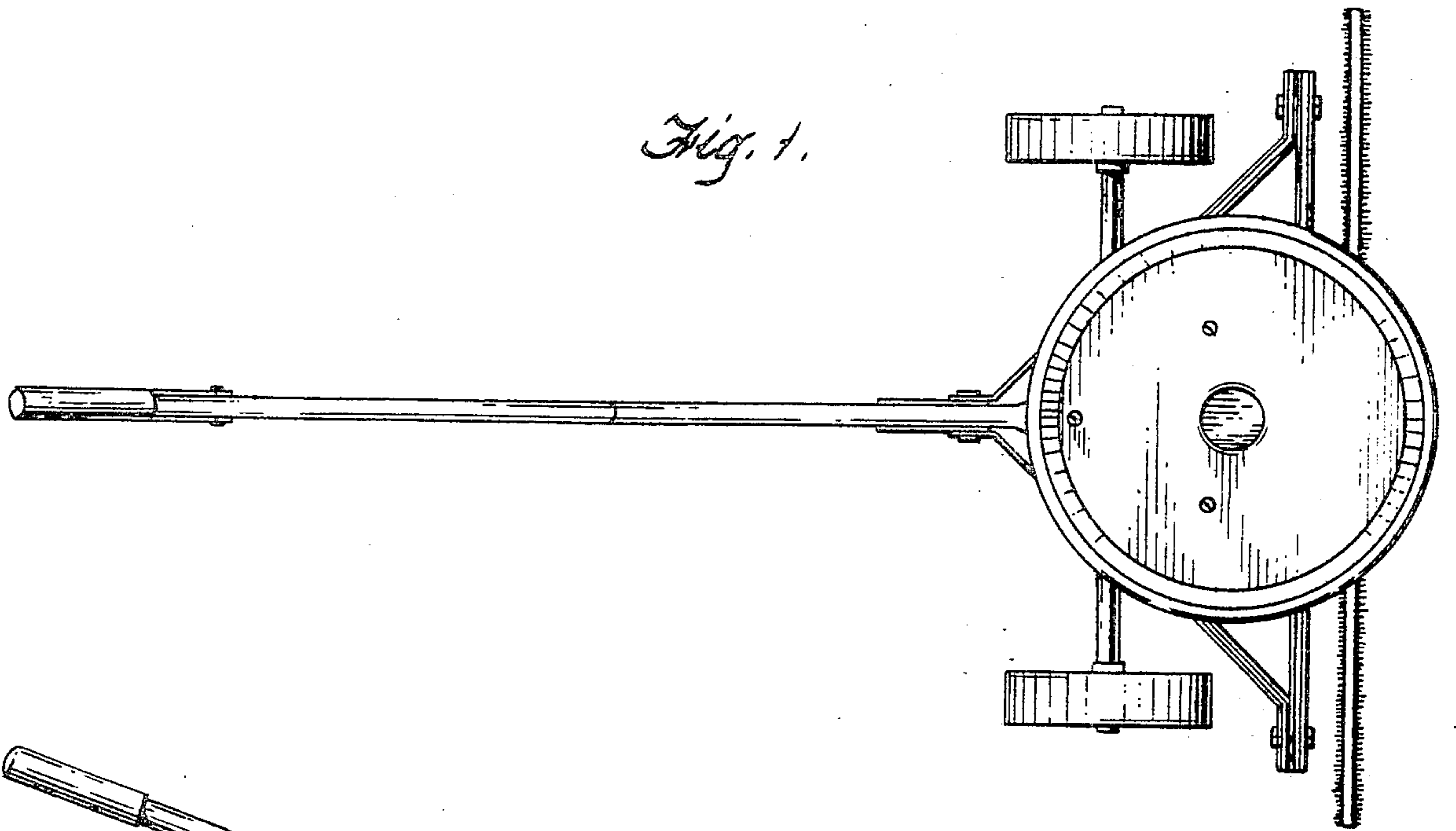
FIG. 3 is a front elevational view thereof;

FIG. 4 is a rear elevational view thereof;

FIG. 5 is a side elevational view taken from the right of FIG. 1;

FIG. 6 is a bottom plan view thereof.





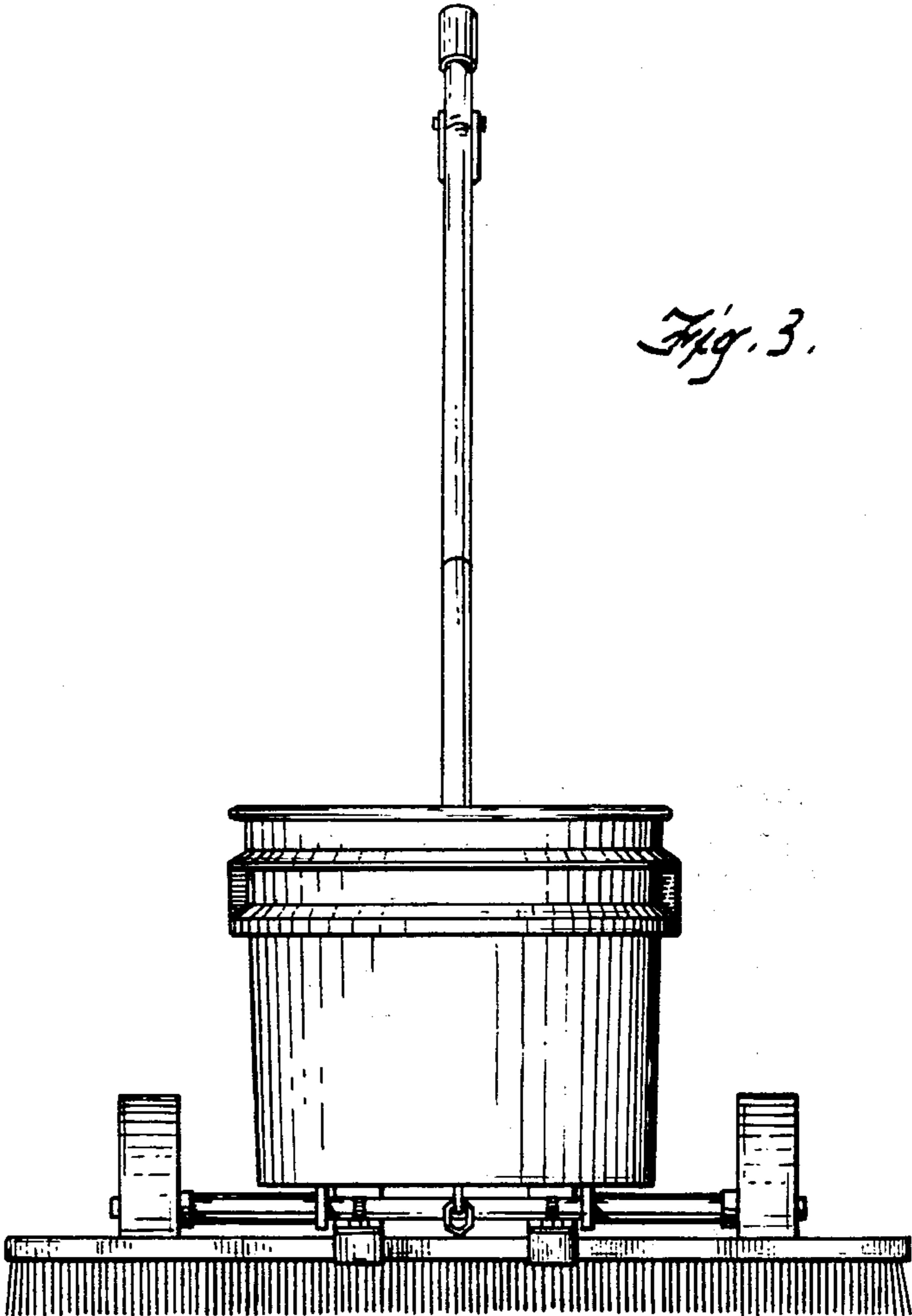


Fig. 3.

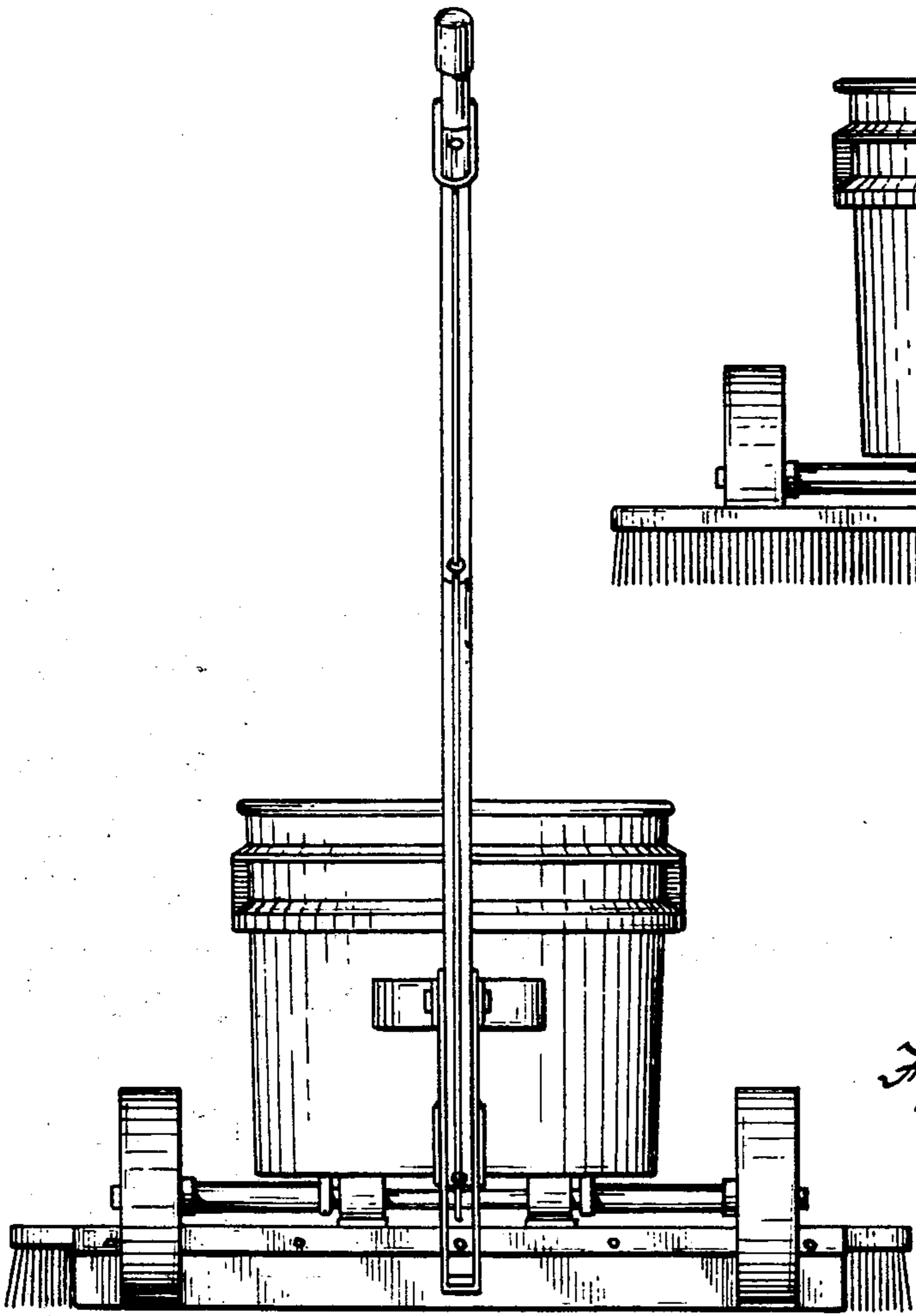


Fig. 4.

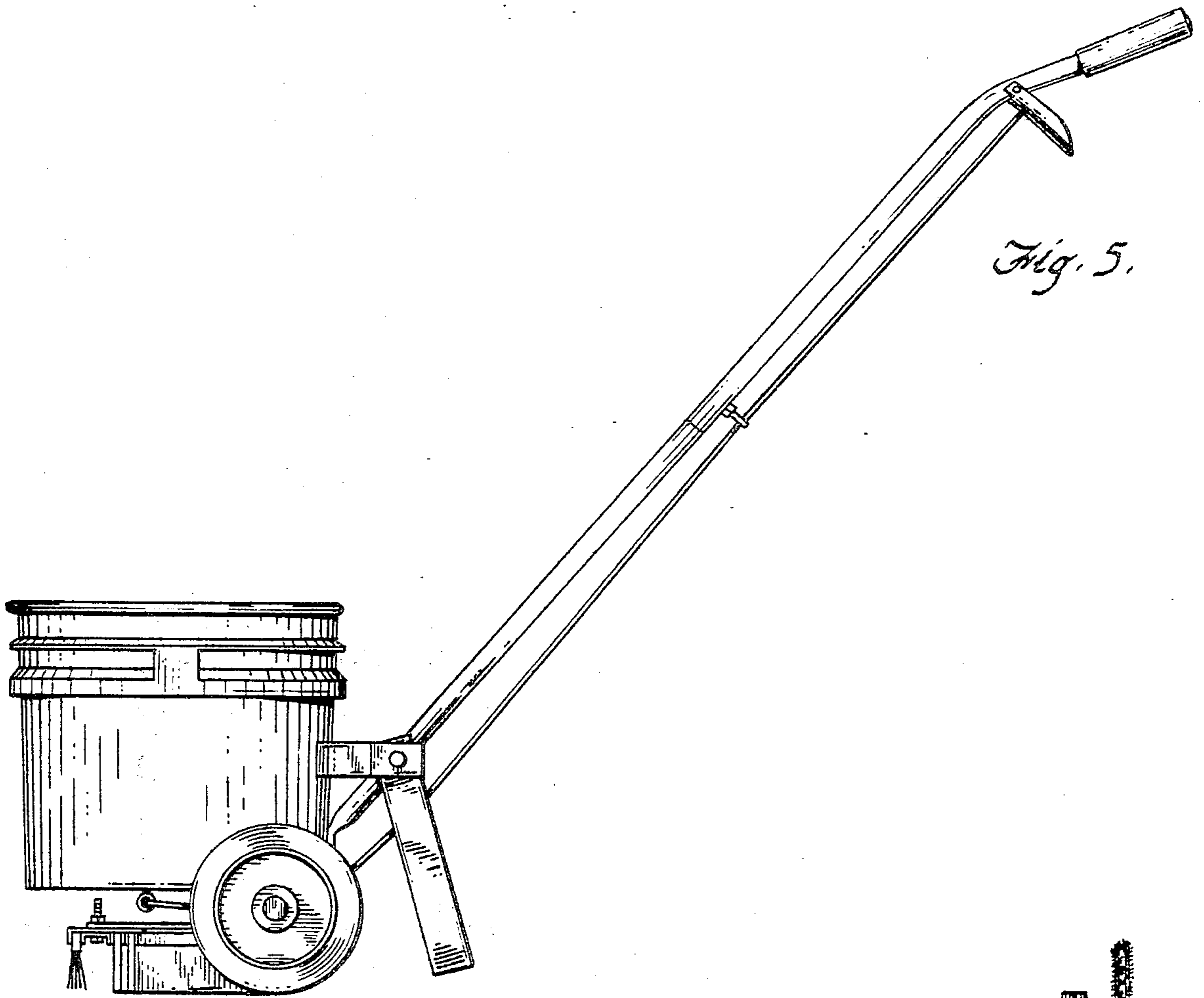


Fig. 5.

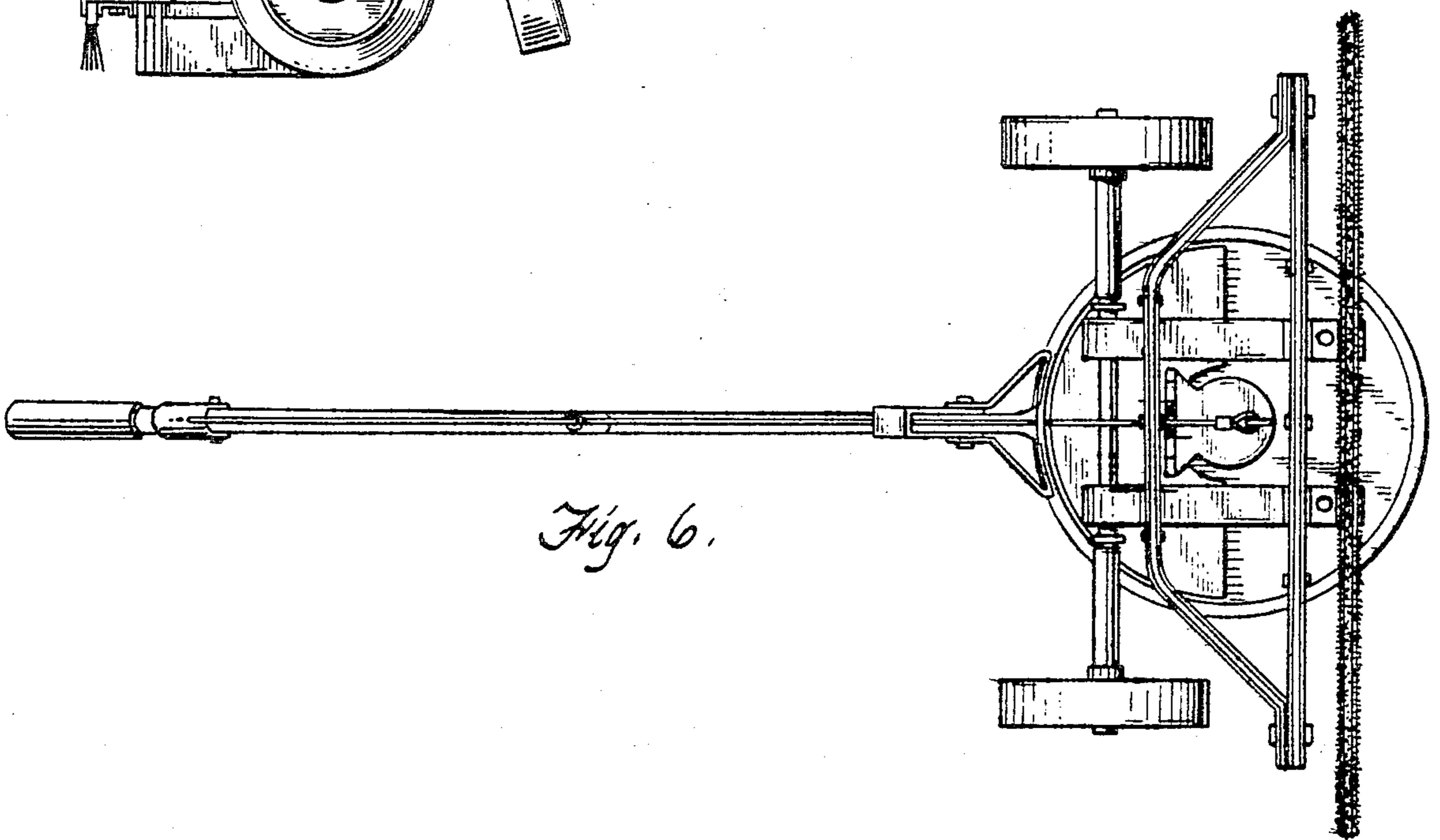


Fig. 6.