

[54] PORTABLE TWO-WAY RADIO APPARATUS OR SIMILAR ARTICLE

[75] Inventors: Richard J. Toth, Boca Raton, Fla.; John A. Eckmann, Baldwinsville, N.Y.

[73] Assignee: Motorola, Inc., Schaumburg, Ill.

[**] Term: 14 Years

[21] Appl. No.: 432,390

[22] Filed: Oct. 1, 1982

[52] U.S. Cl. D14/70

[58] Field of Search D14/70, 68, 76, 95, D14/99; 455/351, 95, 90

[56] References Cited

U.S. PATENT DOCUMENTS

D. 226,093	1/1973	Whiting	D14/95 X
D. 248,759	8/1978	Eckmann et al.	D14/95 X
3,070,748	12/1962	Worobey et al.	455/351 X
3,631,994	1/1972	Mackzum, Jr.	455/351 X

3,763,434	10/1973	Blesch et al.	455/351 X
4,083,481	4/1978	Selinko	455/351 X
4,286,335	8/1981	Eichler et al.	455/351 X
4,299,344	11/1981	Yamashita et al.	455/351 X

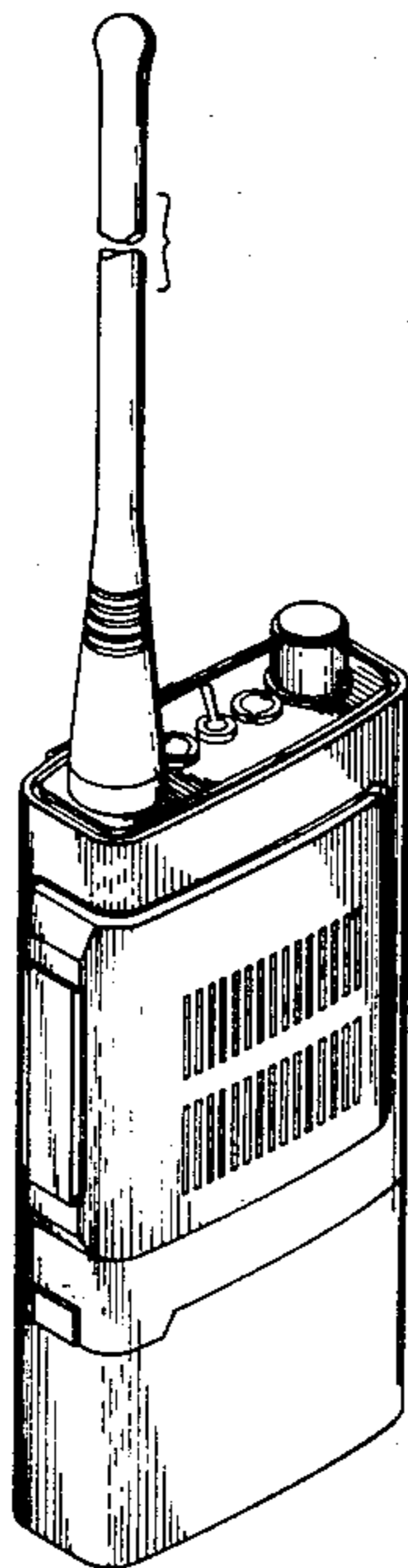
Primary Examiner—Melvin B. Feifer
Assistant Examiner—Terry Pfeffer
Attorney, Agent, or Firm—Daniel K. Nichols; Edward M. Roney; Donald B. Southard

[57] CLAIM

The ornamental design for a portable two-way radio apparatus or similar article, substantially as shown and described.

DESCRIPTION

FIG. 1 is a top perspective view of a portable two-way radio apparatus or similar article showing our new design;
FIG. 2 is a side elevation view as seen from the side opposite FIG. 1;
FIG. 3 is a rear elevation view thereof;
FIG. 4 is a bottom plan view thereof;
FIG. 5 is a top plan view thereof.



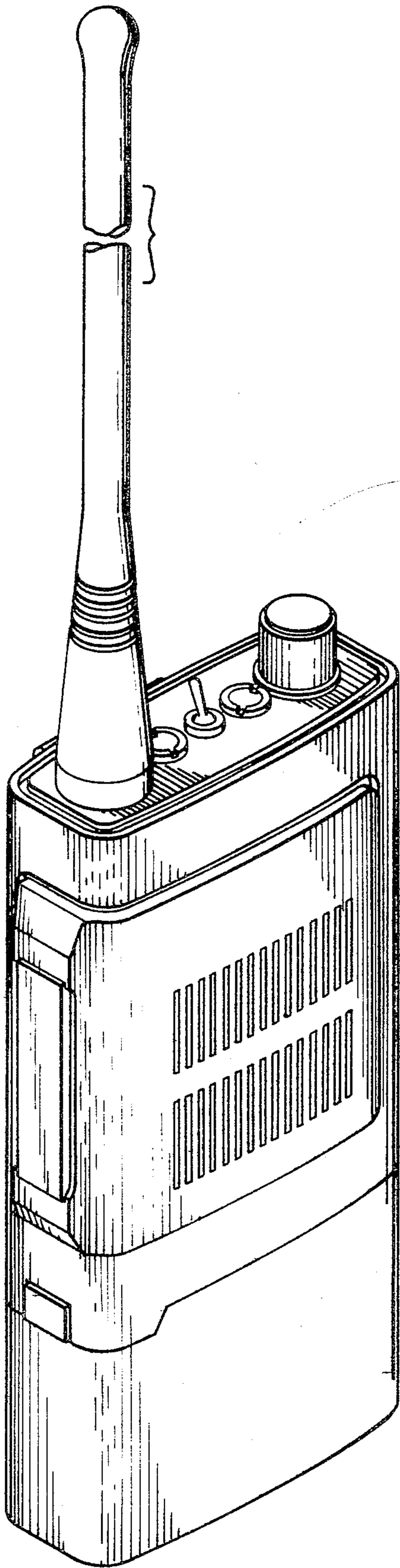


Fig. 1

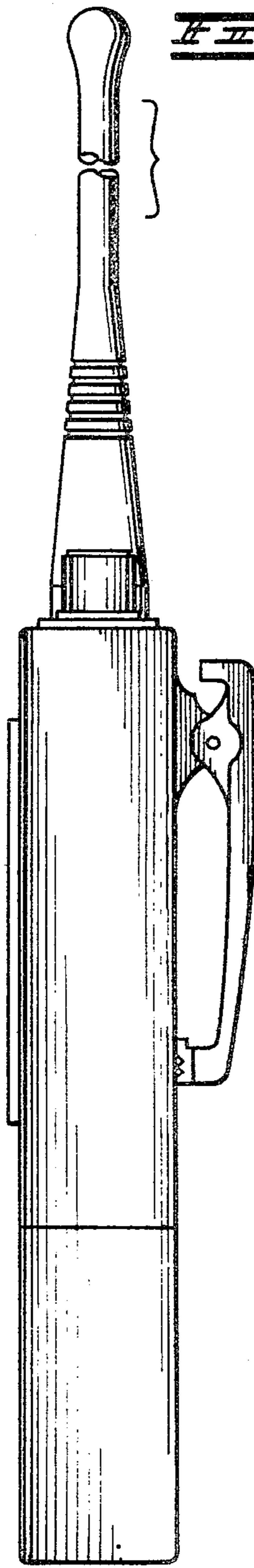
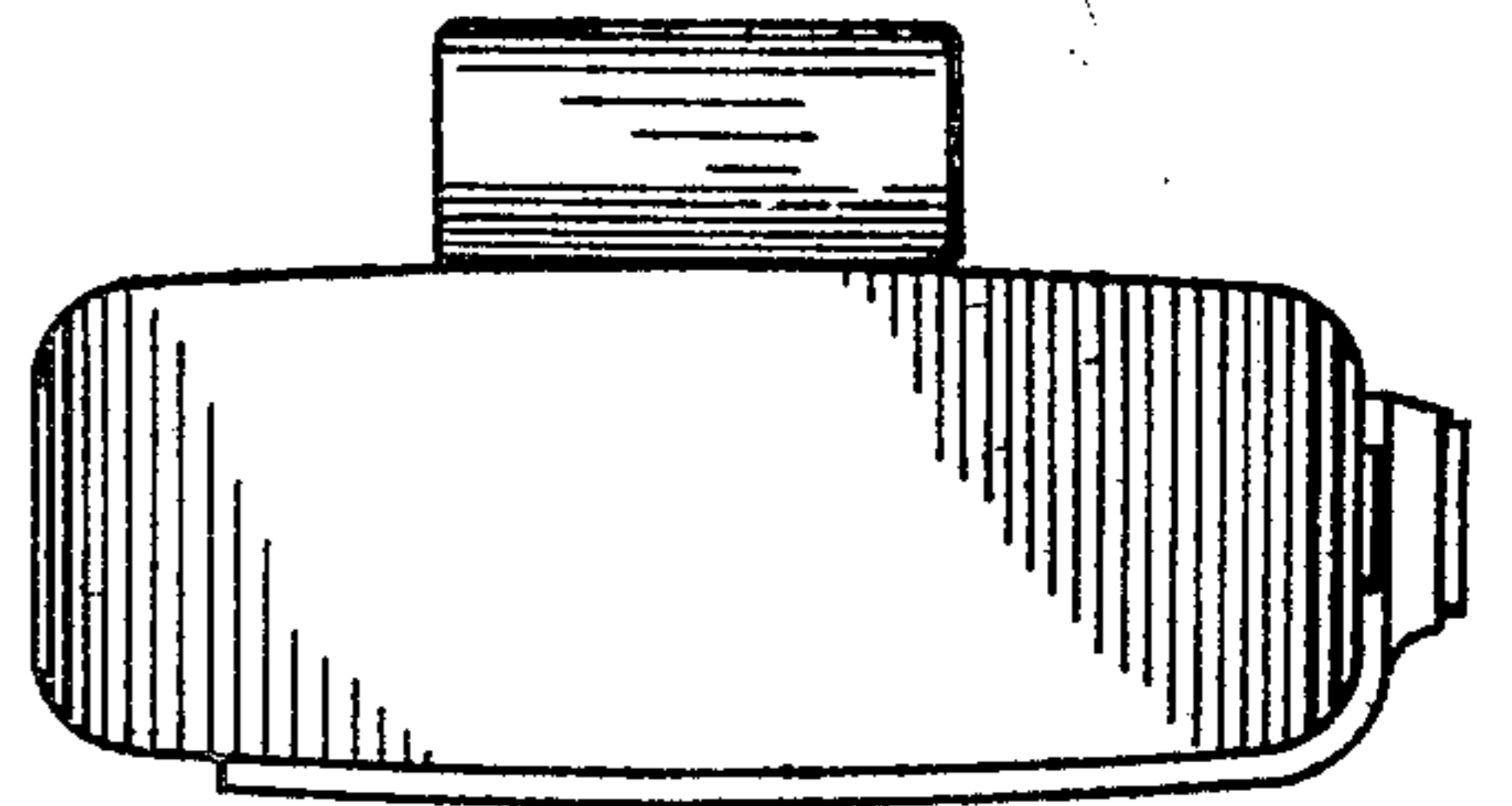
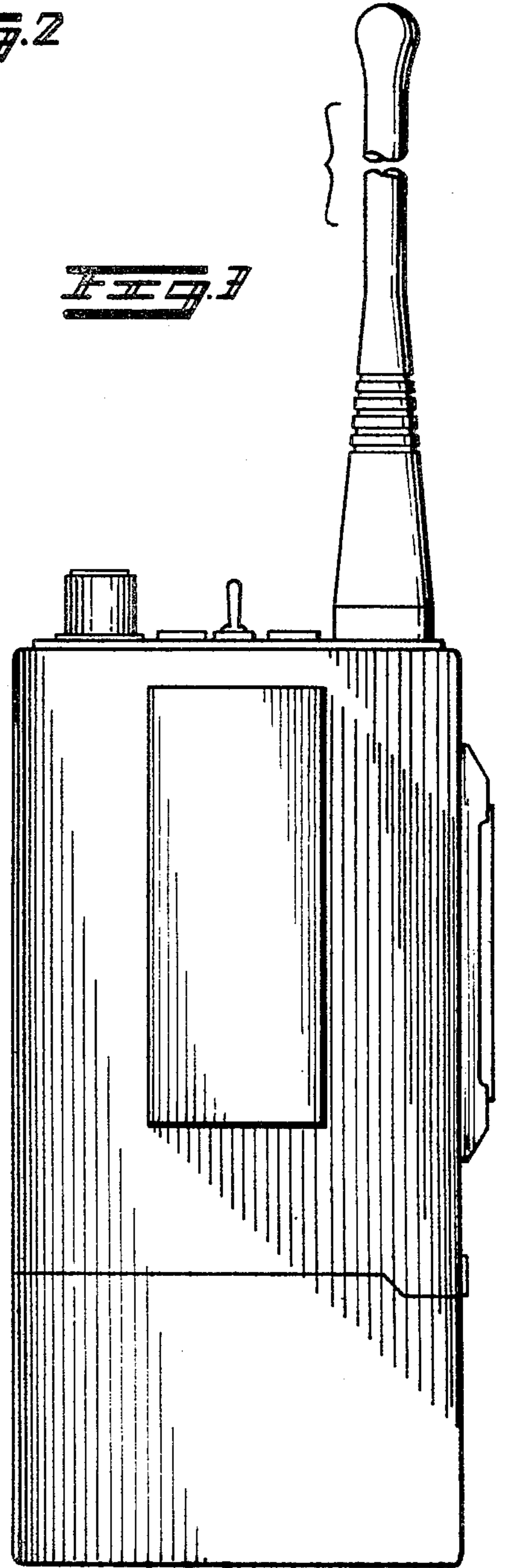
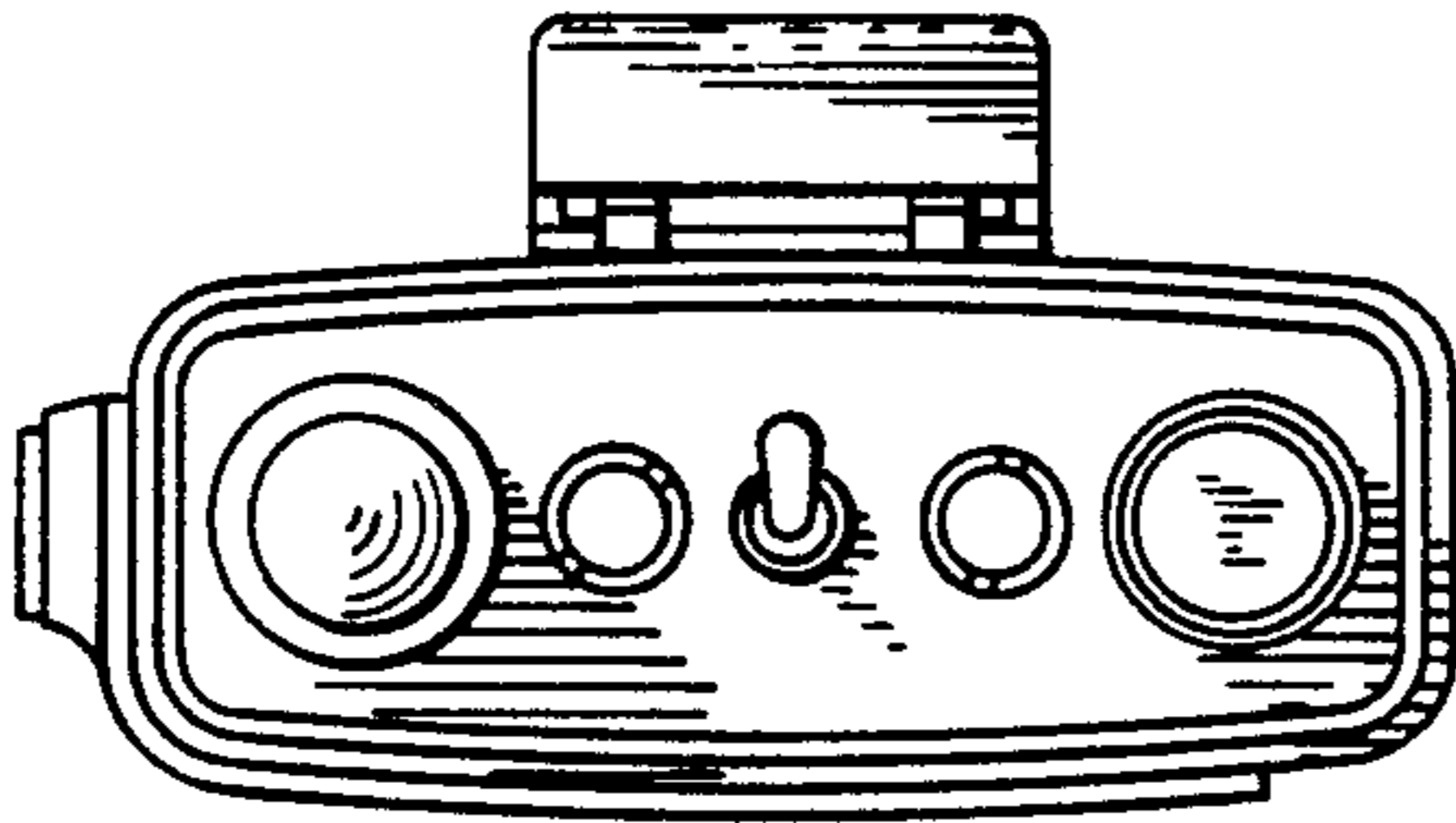


Fig. 4

Fig. 2

Fig. 3





REG. U.S. PAT. & TM. OFF.