

[54] HOUSING FOR A TELEPHONE HANDSET

[75] Inventors: Michael Brown, Nepean; Clifford D. Read, Almonte; Warren K. Ellis, Constance Bay, all of Canada

[73] Assignee: Northern Telecom Limited, Montreal, Canada

[**] Term: 14 Years

[21] Appl. No.: 466,416

[22] Filed: Feb. 15, 1983

[52] U.S. Cl. D14/63; D14/64; D14/53

[58] Field of Search D14/52, 53, 55, 58, D14/63, 64; 179/179, 178, 100 R, 100 C, 100 D

[56] References Cited

U.S. PATENT DOCUMENTS

- D. 210,378 3/1968 Perkins D14/63
- D. 211,645 7/1968 Perkins D14/53
- D. 229,837 1/1974 Genaro et al. D14/53
- D. 235,069 5/1975 Todeschini D14/53
- D. 236,627 9/1975 Henshaw et al. D14/63

- D. 245,602 8/1977 Genaro et al. D14/63
- D. 248,649 7/1978 Breger D14/53
- D. 256,465 8/1980 Tyler D14/63
- D. 267,316 12/1982 Fukushima et al. D14/58

OTHER PUBLICATIONS

"The Automatic Telephone", by C & P, folder showing Amer. Telecommunication Corp. Answering & Message Recording Set.

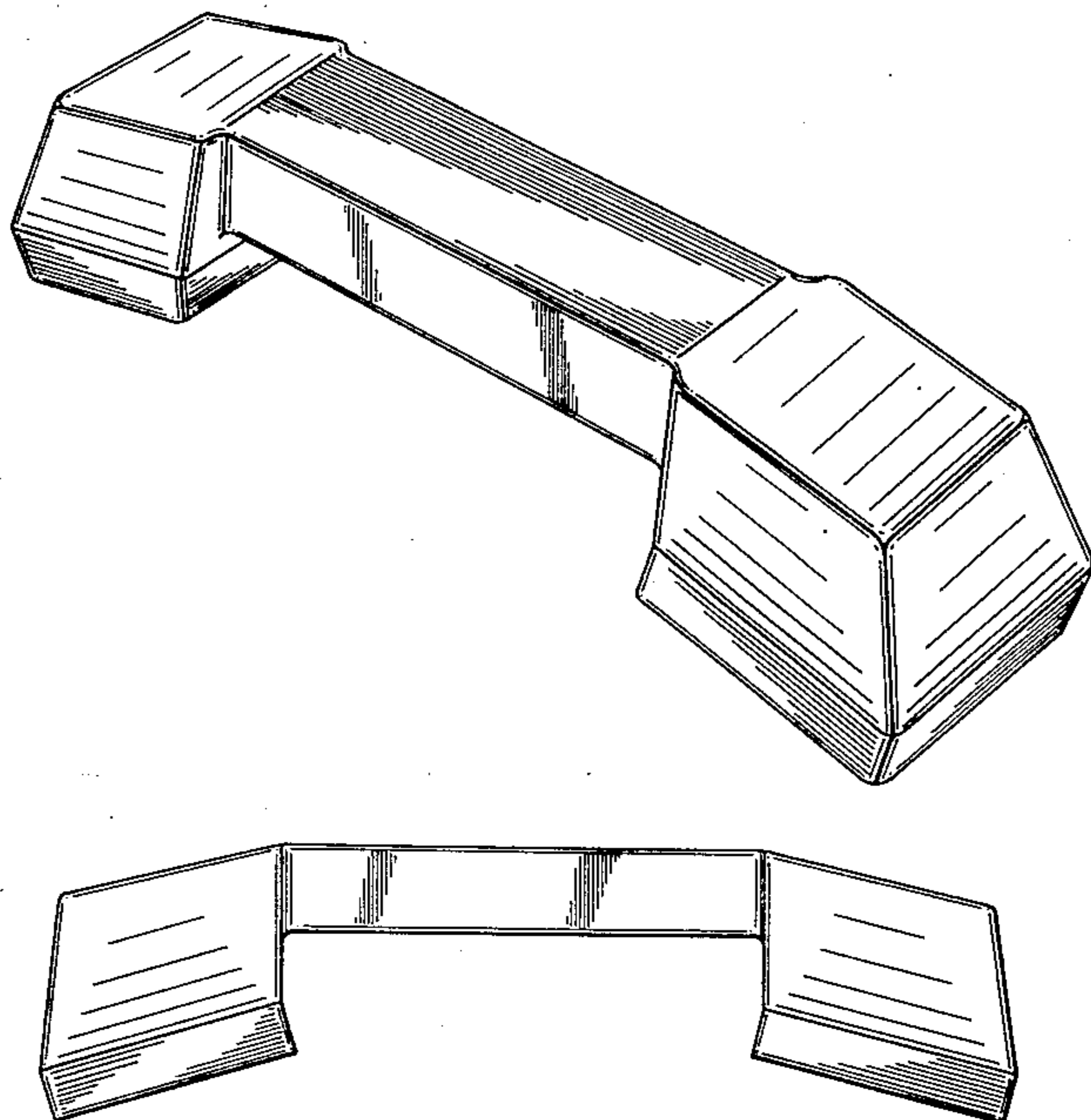
Primary Examiner—Wallace R. Burke
Assistant Examiner—Horace B. Fay
Attorney, Agent, or Firm—Sidney T. Jelly

[57] CLAIM

The ornamental design for a housing for a telephone handset, substantially as shown and described.

DESCRIPTION

FIG. 1 is a top and side perspective view from above of a housing for a telephone handset showing our new design; FIG. 2 is a side elevational view thereof, it being understood that the view of the side opposite to that shown is substantially a mirror image; and FIG. 3 is a bottom plan view thereof.



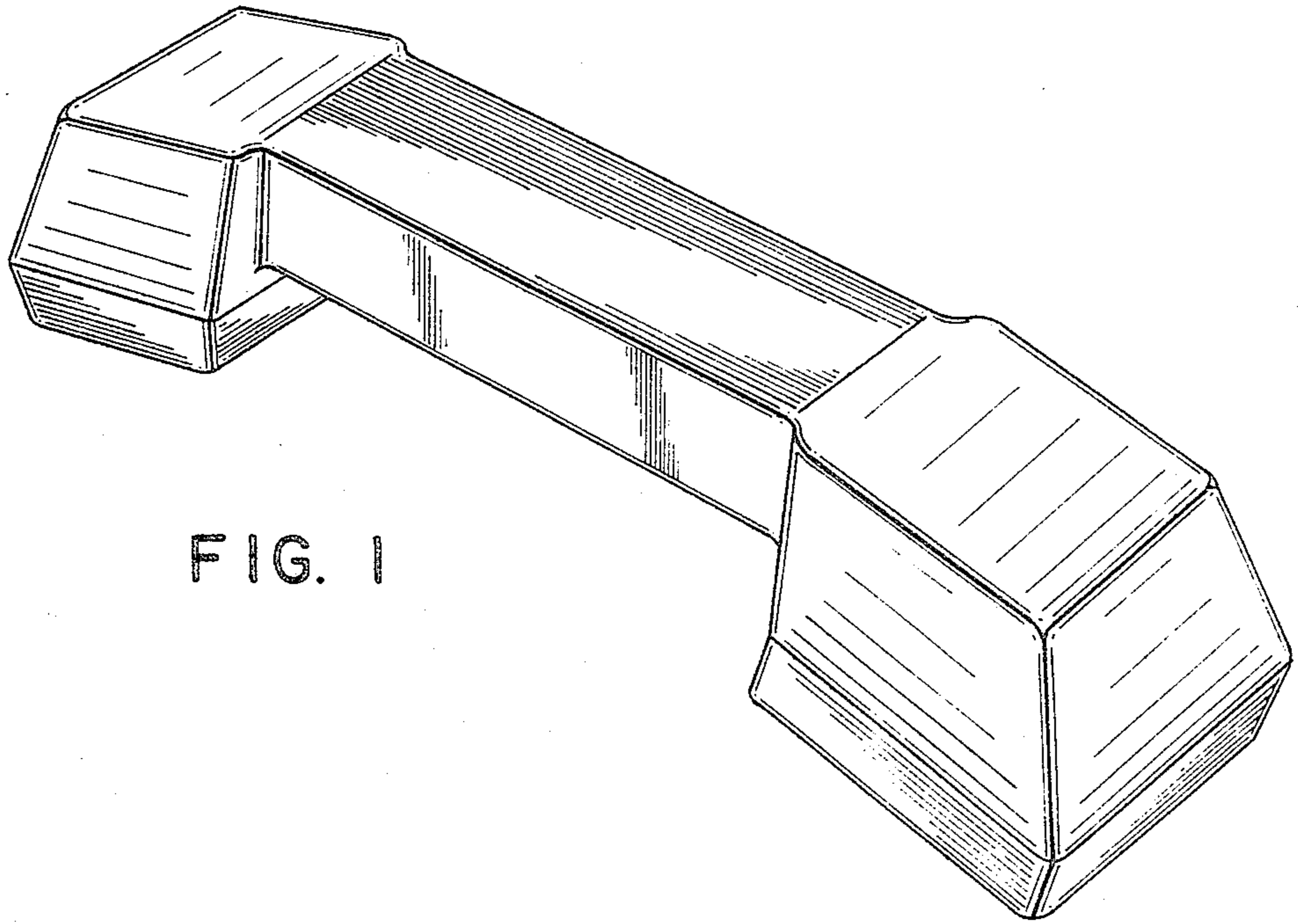


FIG. 1

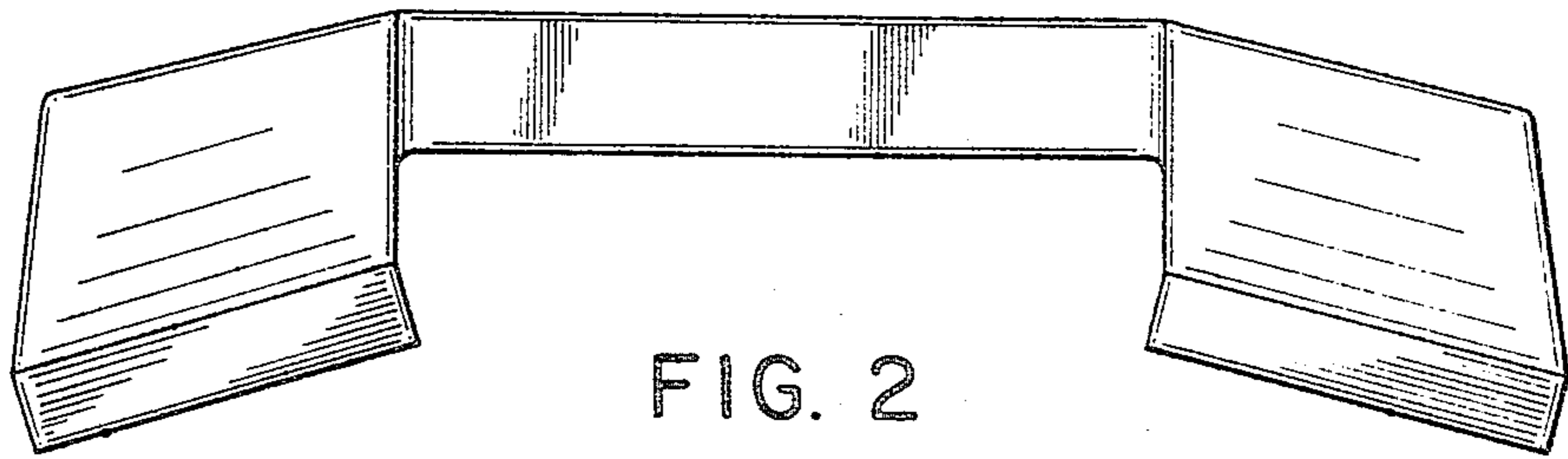


FIG. 2

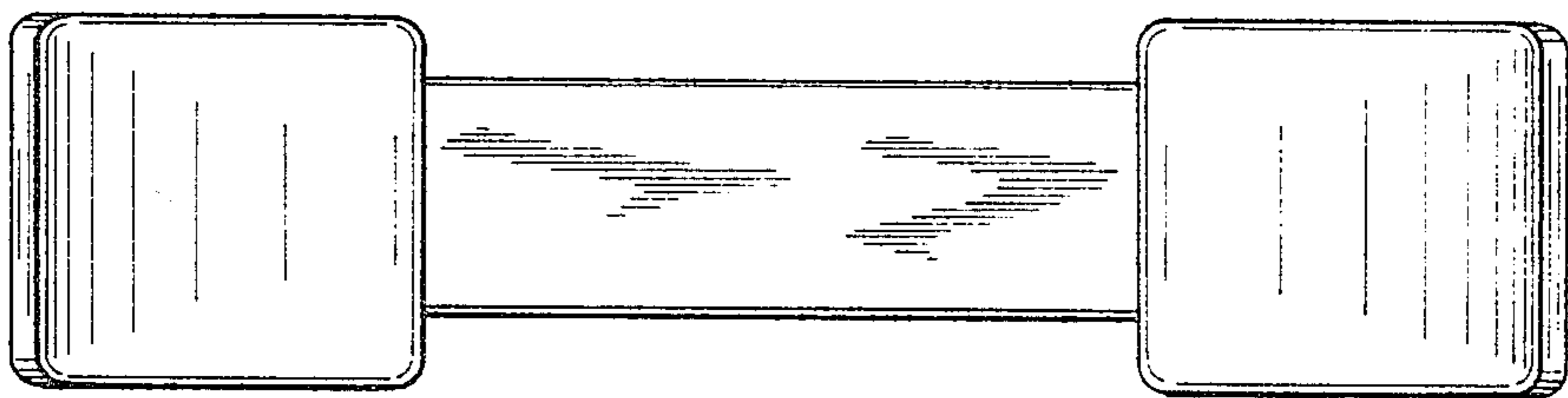


FIG. 3