

[54] TELEPHONE SET

[75] Inventor: Hiroshi Inaba, Yokohama, Japan

[73] Assignee: Nippon Tsushin Kogyo Kabushiki Kaisha, Kanagawa, Japan

[\*\*] Term: 14 Years

[21] Appl. No.: 490,133

[22] Filed: Apr. 29, 1983

[30] Foreign Application Priority Data

Feb. 1, 1983 [JP] Japan ..... 58-3328

[52] U.S. Cl. .... D14/58; D14/53; D14/63; D14/62

[58] Field of Search ..... D14/53, 58, 59, 60, D14/62, 63, 64; 179/179, 100 R, 100 C, 100 D

[56] References Cited

U.S. PATENT DOCUMENTS

D. 210,378	3/1968	Perkins	.....	D14/63
D. 227,782	7/1973	Hazell	.....	D14/63
D. 229,837	1/1974	Genaro	.....	D14/63
D. 236,627	9/1975	Henshaw et al.	.....	D14/63
D. 245,602	8/1977	Genaro	.....	D14/63
D. 251,843	5/1979	Knoll et al.	.....	D14/53
D. 257,978	1/1981	Festa et al.	.....	D14/60
D. 268,181	3/1983	Banko	.....	D14/60
D. 269,089	5/1983	Foggia et al.	.....	D14/53
D. 269,268	6/1983	Ko	.....	D14/53
D. 269,613	7/1983	Foggia et al.	.....	D14/53

D. 272,442	1/1984	Trussler	.....	D14/53
D. 273,381	4/1984	Abe et al.	.....	D14/53
D. 274,515	7/1984	Kraemer	.....	D14/53
D. 276,338	11/1984	Pardo	.....	D14/60
4,153,822	5/1979	Ueda et al.	.....	D14/63
4,286,124	8/1981	Guttman	.....	179/179

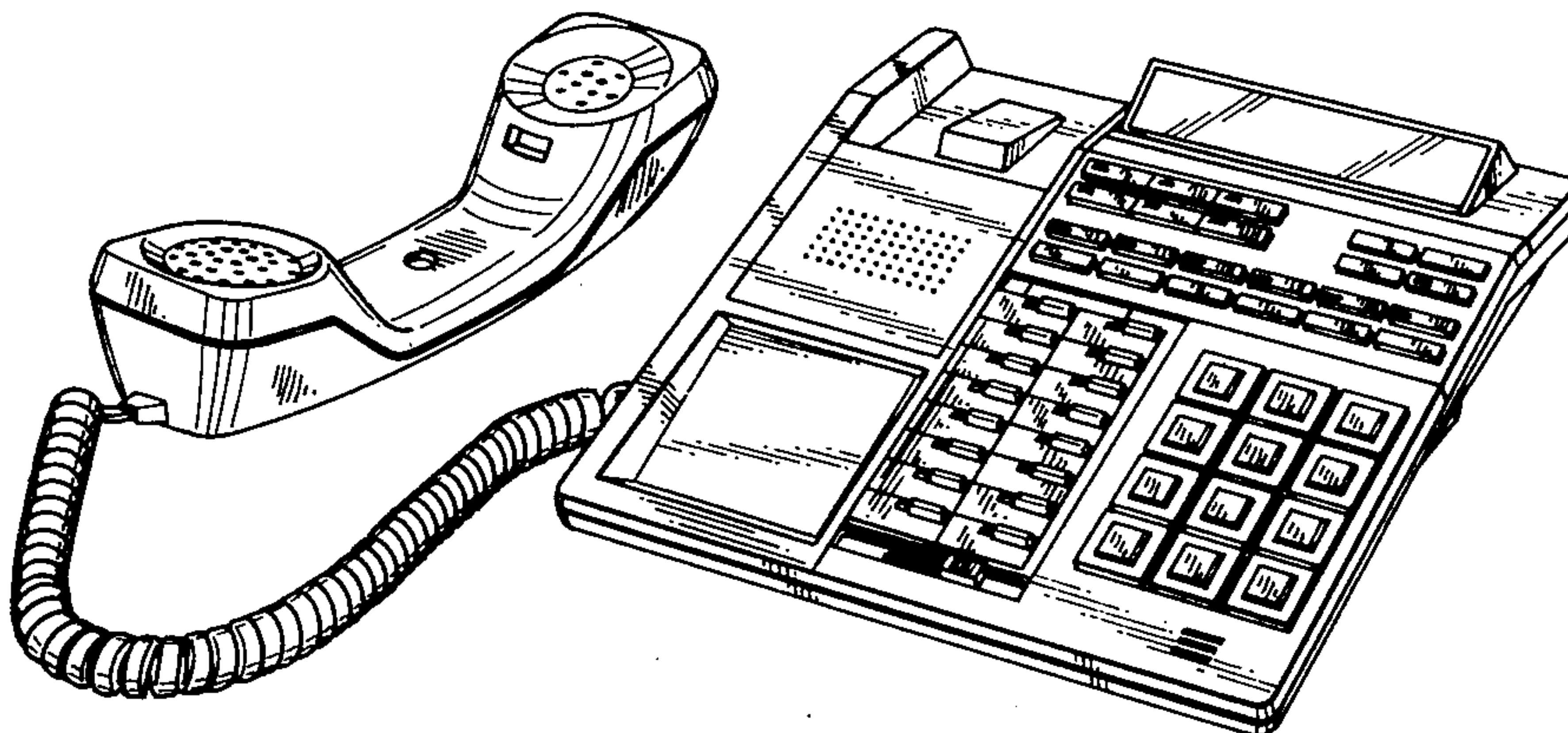
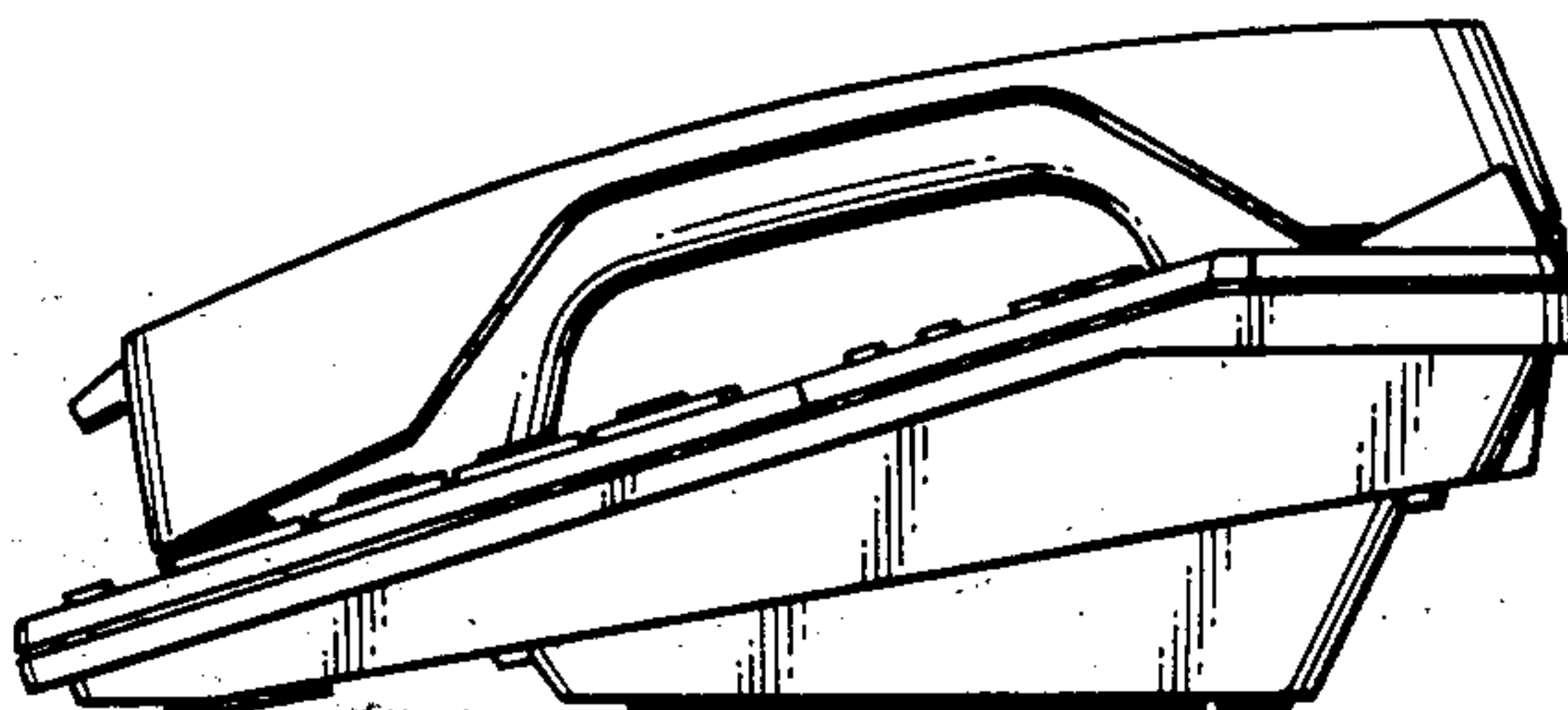
Primary Examiner—Wallace R. Burke  
Assistant Examiner—Horace B. Fay  
Attorney, Agent, or Firm—Burns, Doane, Swecker & Mathis

[57] CLAIM

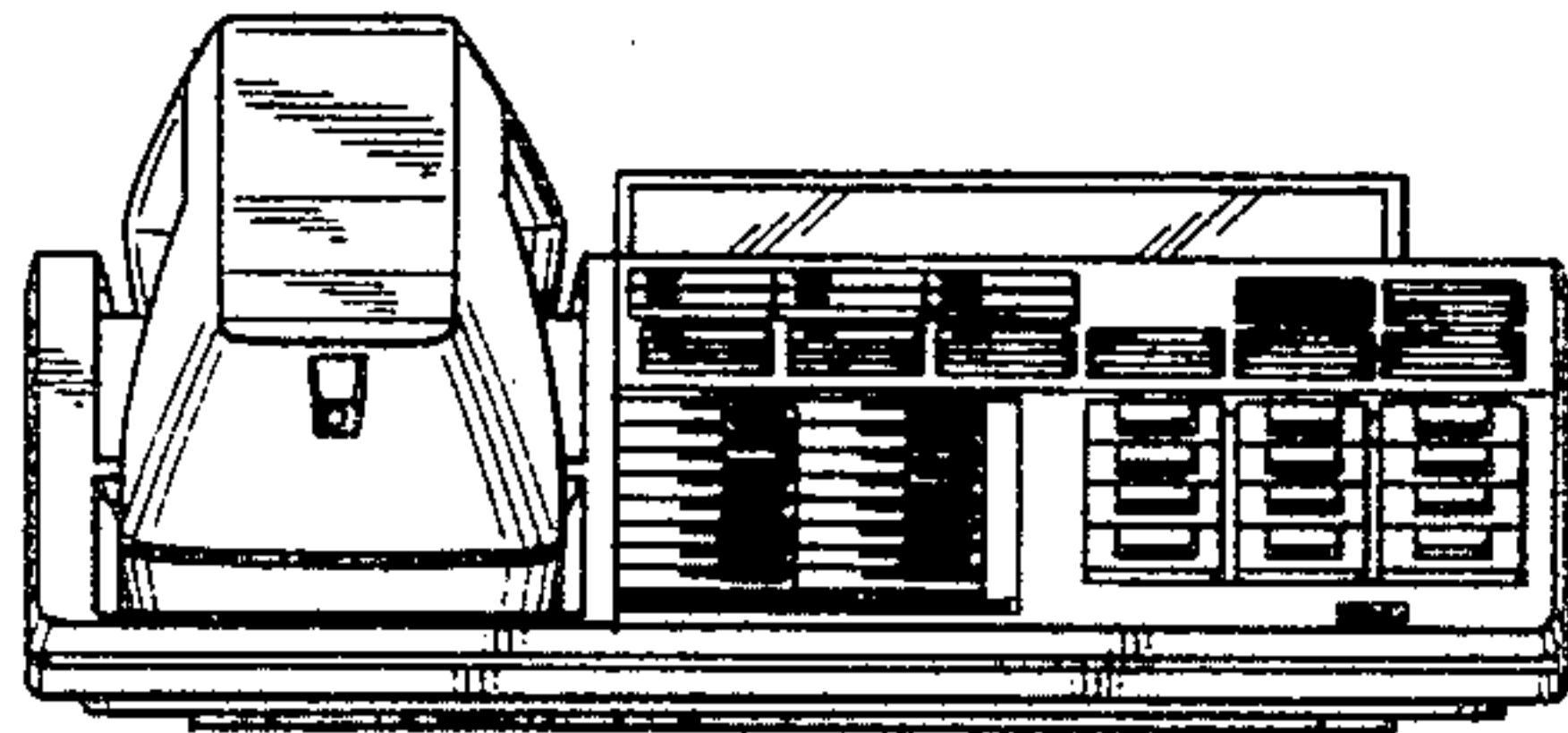
The ornamental design for a telephone set, substantially as shown and described.

DESCRIPTION

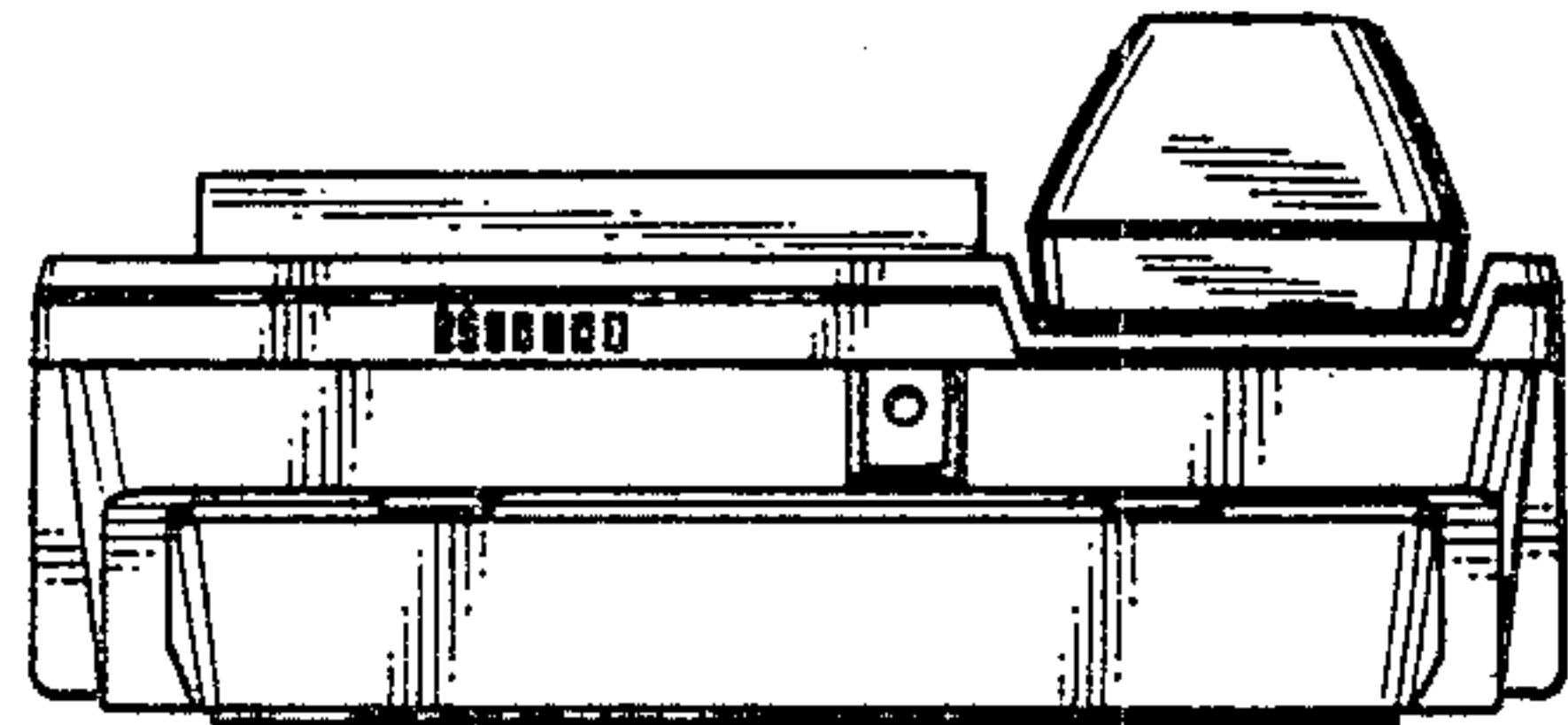
FIG. 1 is a front elevational view of a telephone set showing my new design, with the handset cradled in the stand and with the pliable convolutional cord normally connecting the end of the handset to the stand being shown in FIG. 7, but being omitted in FIGS. 1-6 for convenience of illustration;  
FIG. 2 is a rear elevational view thereof;  
FIG. 3 is a left side elevational view thereof;  
FIG. 4 is a right side elevational view thereof;  
FIG. 5 is a top plan view thereof;  
FIG. 6 is a bottom plan view thereof; and  
FIG. 7 is a front perspective view thereof from above with the handset removed from the stand and shown with its transceiver surface faced up, and with the cradle of the stand exposed.



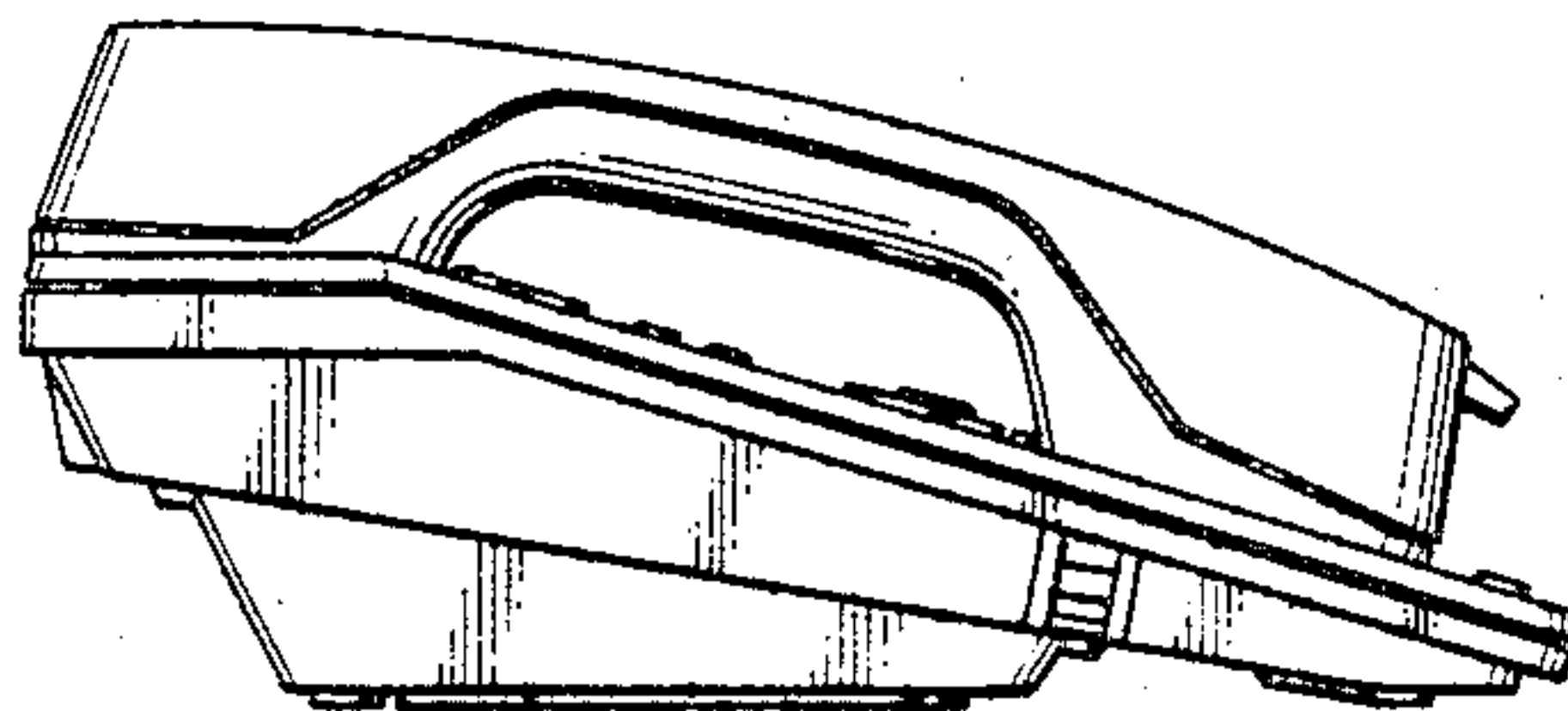
*Fig. 1*



*Fig. 2*



*Fig. 3*



*Fig. 4*

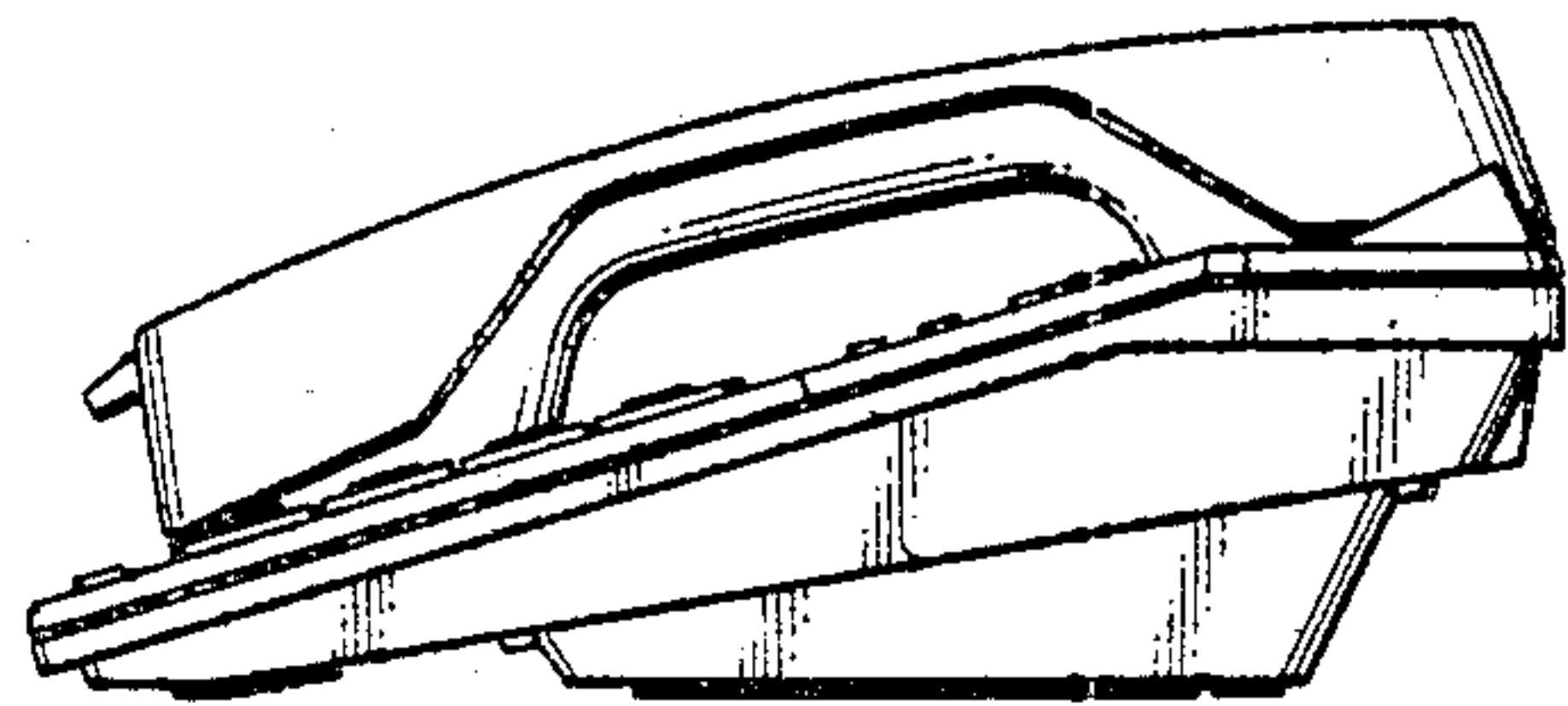


Fig. 5

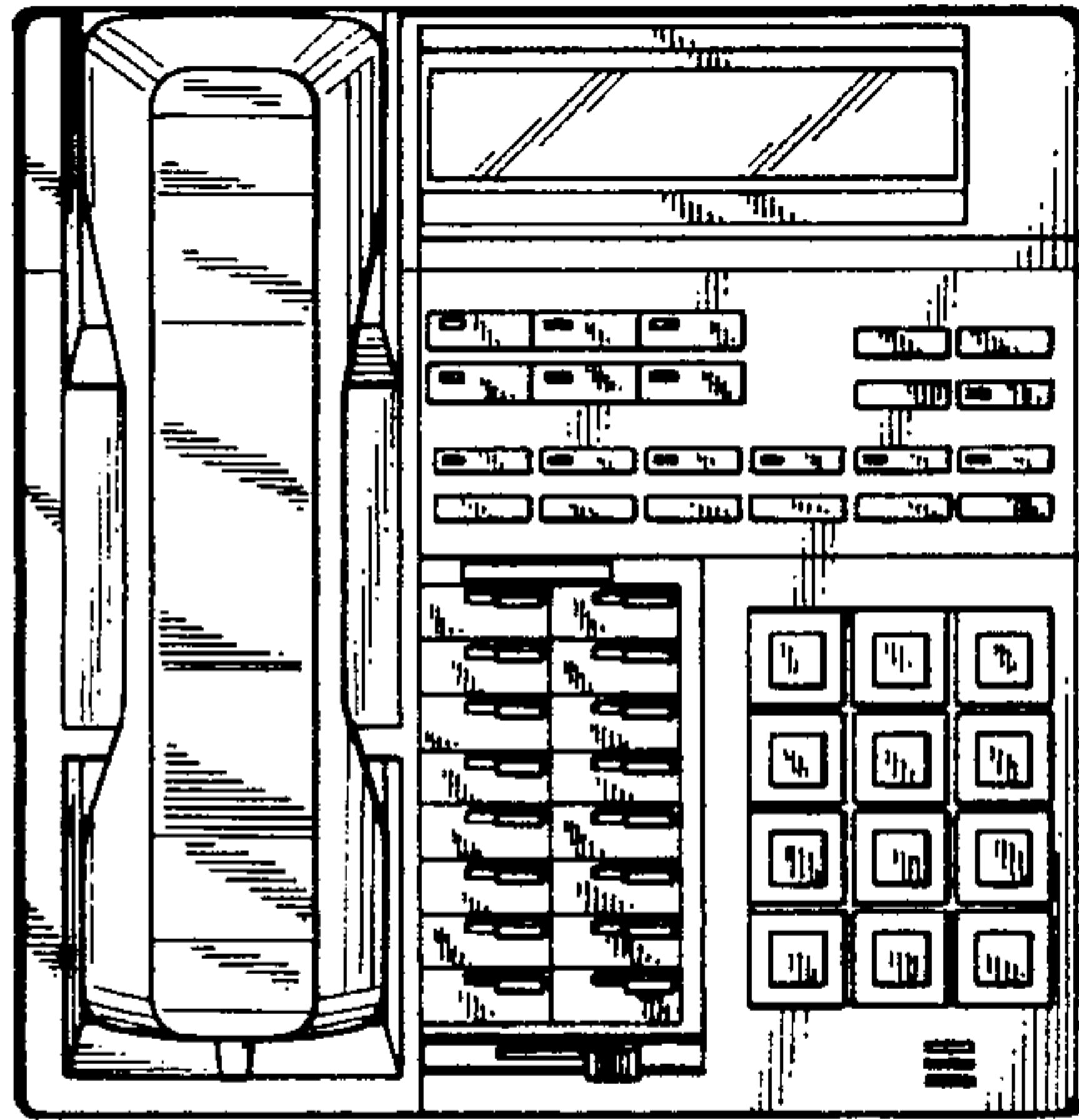
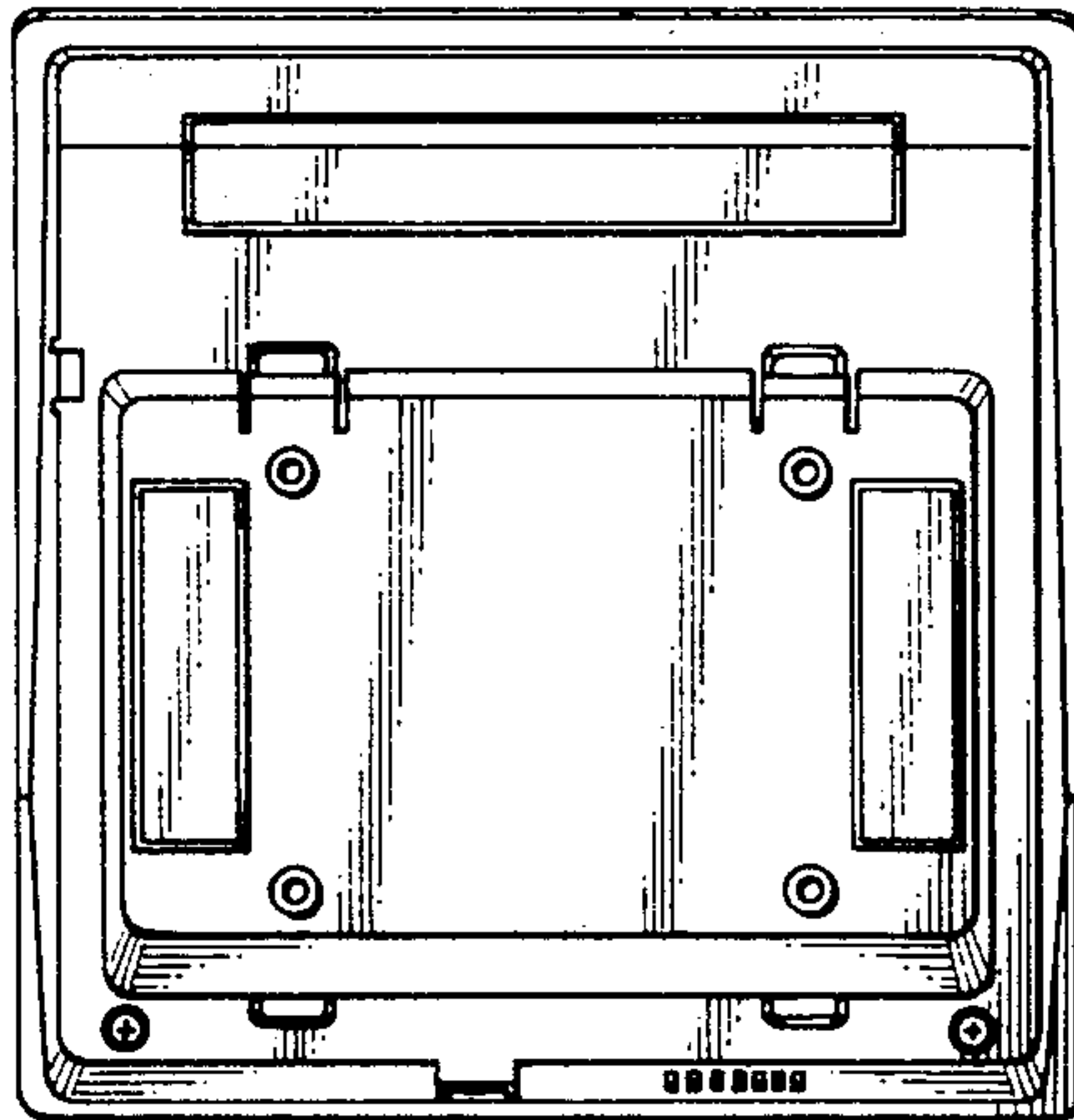


Fig. 6



*Fig. 7*

