

[54] LICENSE PLATE FRAME

[75] Inventor: James M. Preisler, Mound, Minn.

[73] Assignee: Drag Specialties, Inc., Minnetonka, Minn.

[\*\*] Term: 14 Years

[21] Appl. No.: 526,339

[22] Filed: Aug. 25, 1983

[52] U.S. Cl. .... D12/193

[58] Field of Search ..... D12/193, 114; 40/200, 40/202

[56] References Cited  
PUBLICATIONS

Cycle World, 5/81, p. 146, Custom License Plate, center of page.  
J. C. Whitney Motorcycle Parts & Accessories Catalog

No. 25C, ©1982, p. 9, Taillight & License Plate Holder, center of page.

Primary Examiner—James M. Gandy  
Attorney, Agent, or Firm—Kinney & Lange

[57] CLAIM

The ornamental design for a license plate frame, as shown and described.

DESCRIPTION

FIG. 1 is a rear elevational view of a license plate frame embodying my new design in position of use, it being understood that the broken lines are for illustration purposes only;

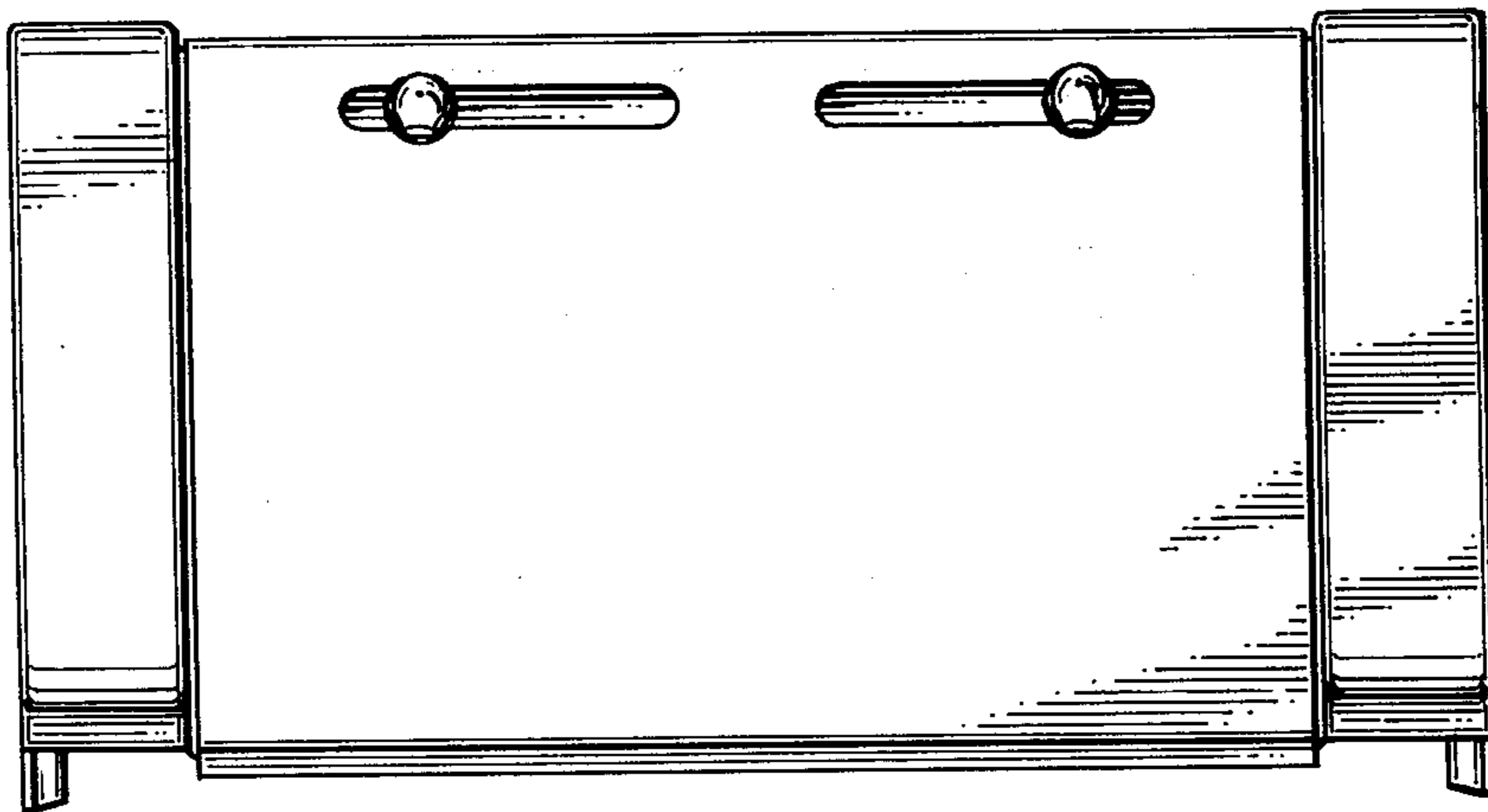
FIG. 2 is an enlarged rear elevational view thereof;

FIG. 3 is an enlarged front elevational view thereof;

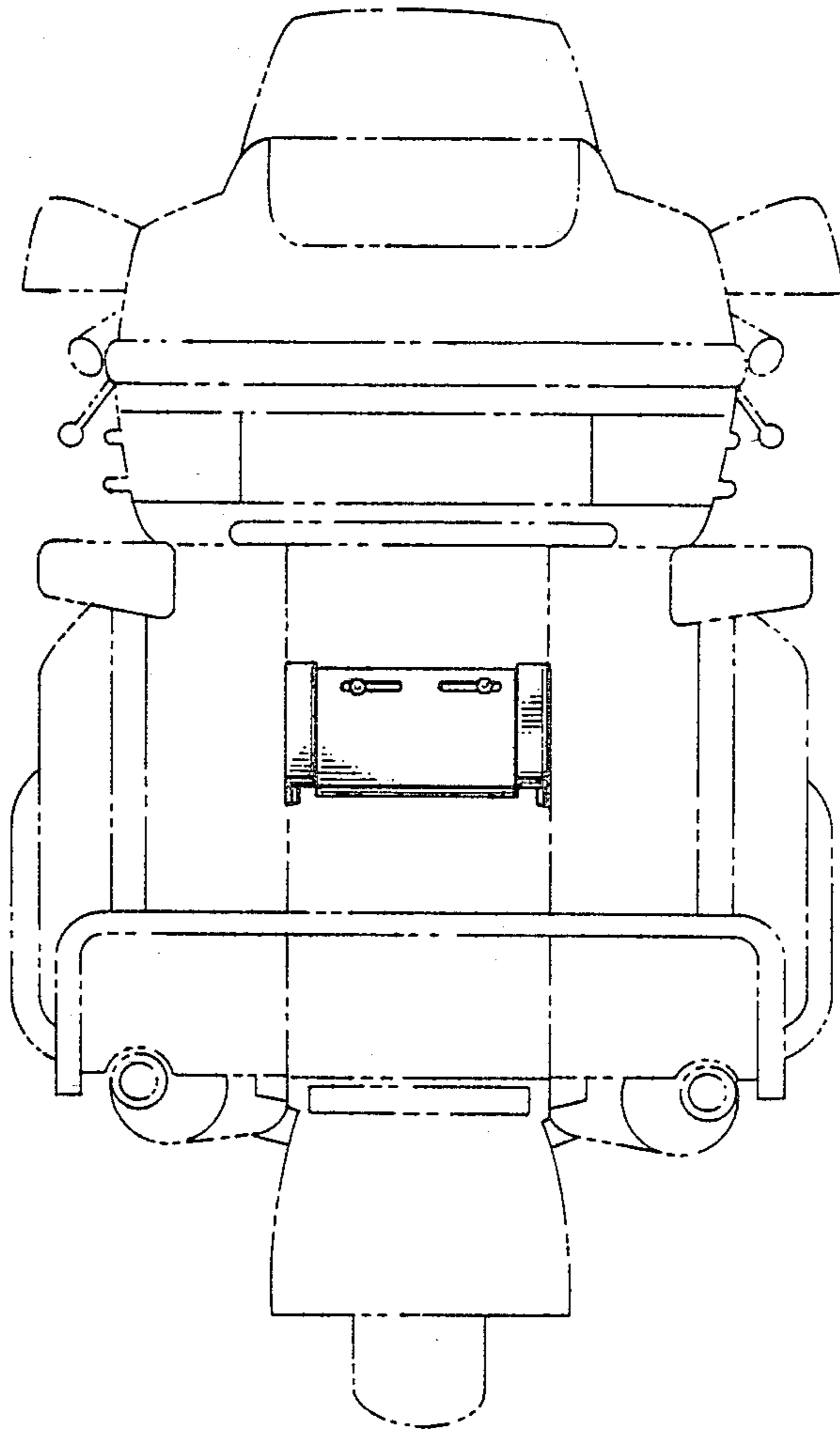
FIG. 4 is an enlarged right side elevational view, the left side elevational view being substantially a mirror image thereof;

FIG. 5 is an enlarged top plan view thereof; and

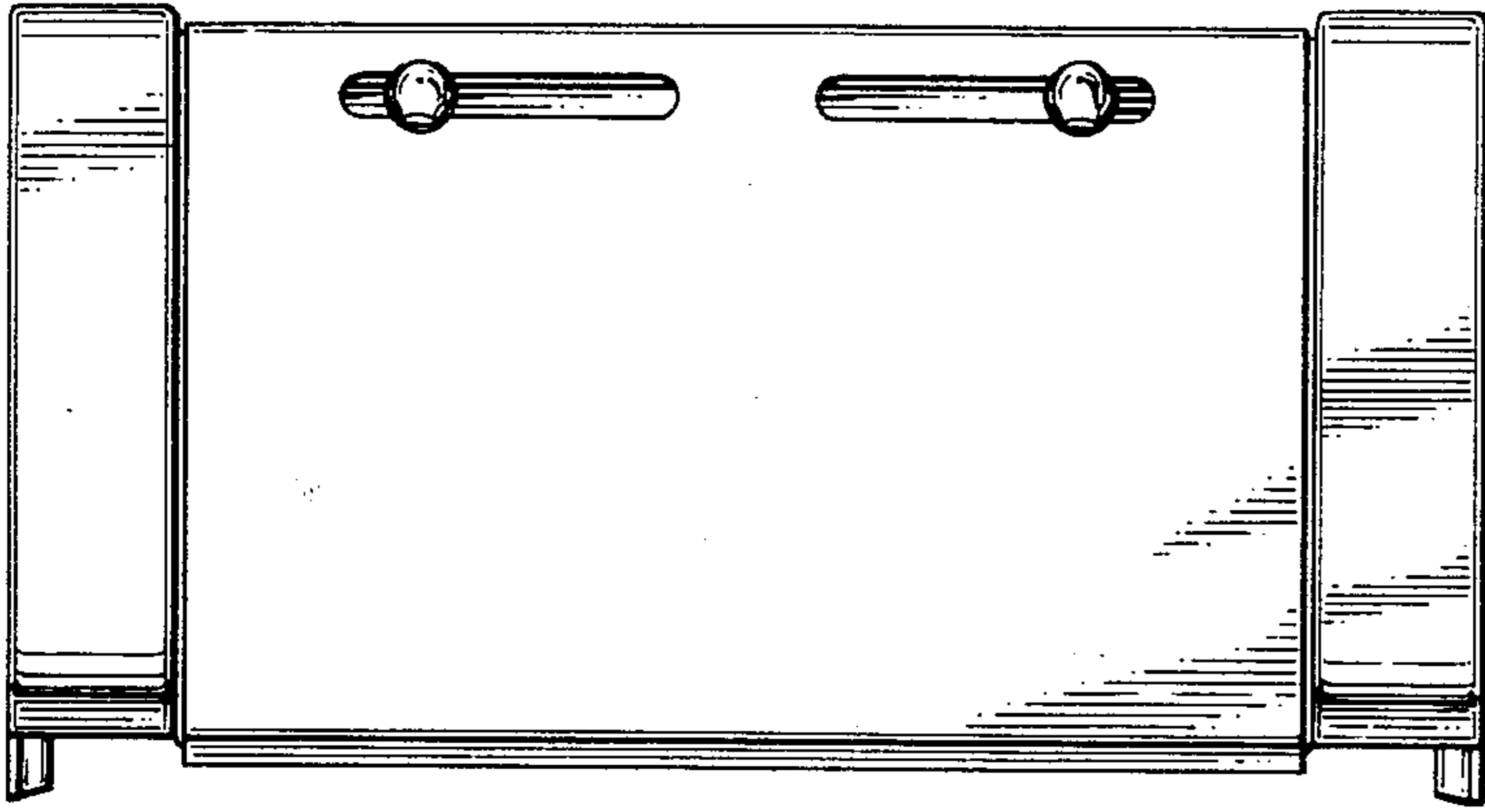
FIG. 6 is an enlarged bottom plan view thereof.



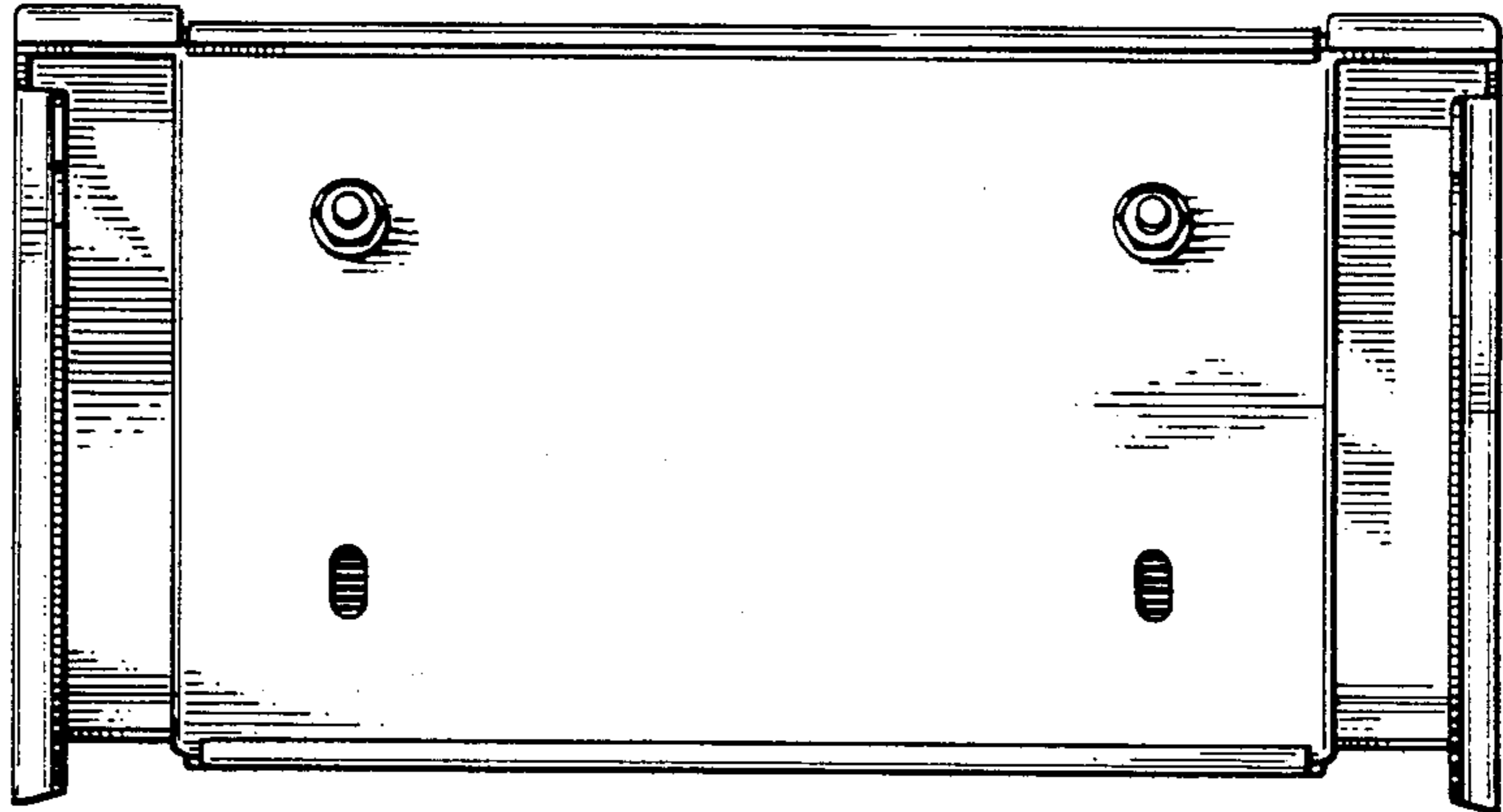
***Fig. 1***



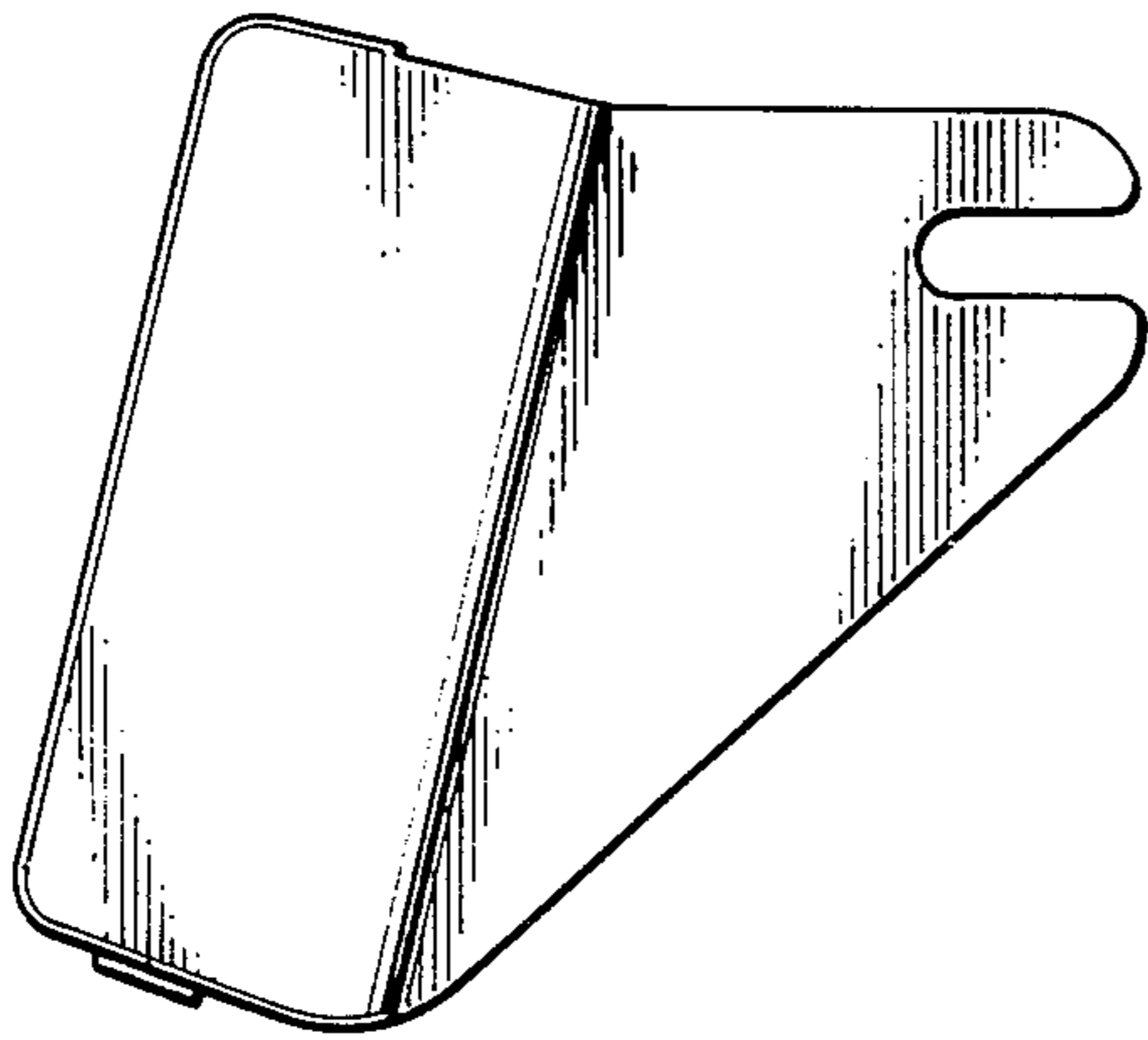
**Fig. 2**



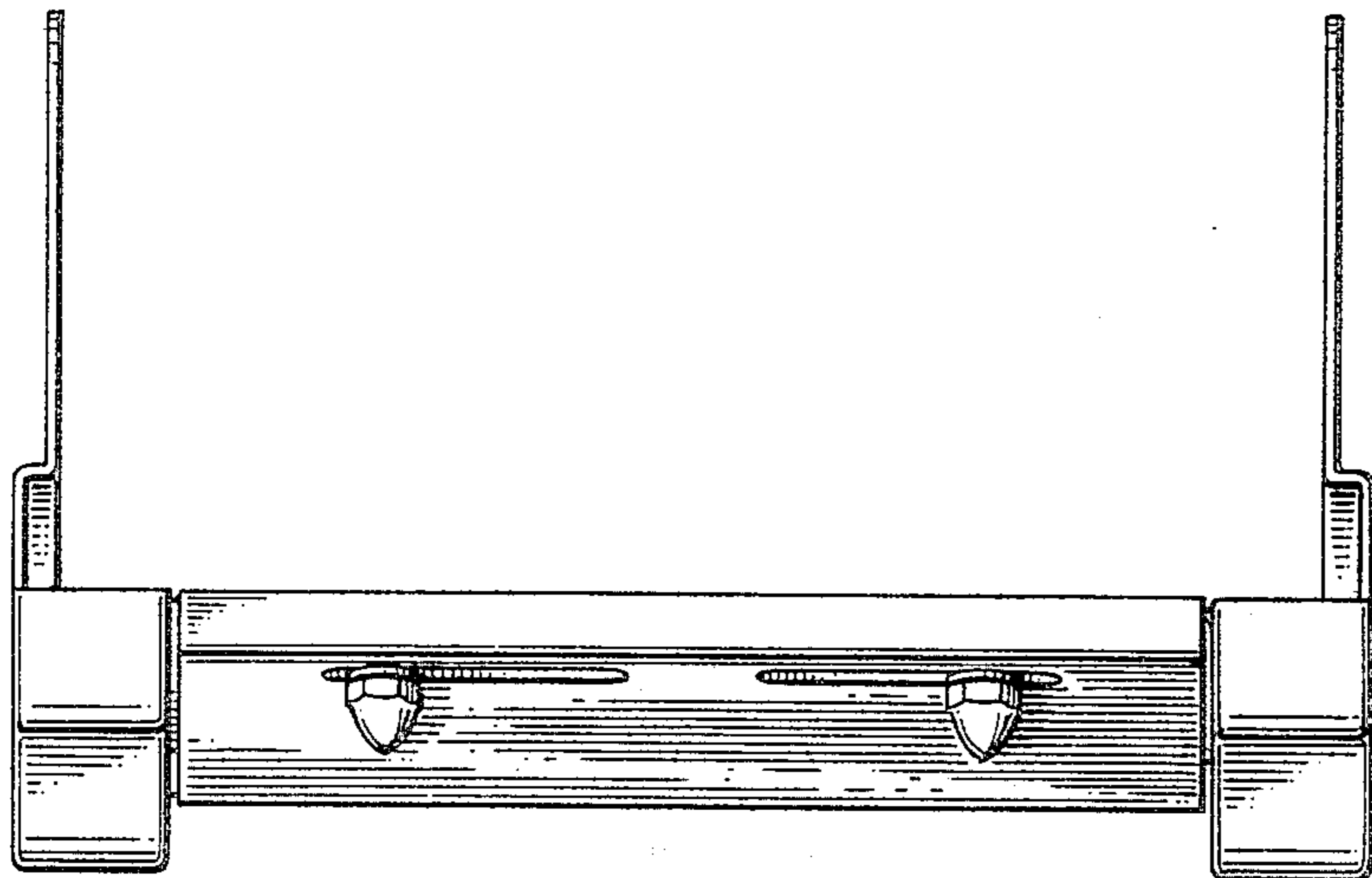
**Fig. 3**



**Fig. 4**



***Fig. 5***



***Fig. 6***

