

[54] COMBINED PACKAGING CUP AND LID THEREFOR

[75] Inventor: John W. Earl, Stockbridge, Mich.

[73] Assignee: Dart Container Corporation, Mason, Mich.

[\*\*] Term: 14 Years

[21] Appl. No.: 431,706

[22] Filed: Sep. 30, 1982

[52] U.S. Cl. .... D9/352; D9/428; D9/454

[58] Field of Search ..... D9/349, 352, 353, 355, D9/390, 399; 229/1.5 R, 1.5 B, 2.5, 3.5, 4.5; D7/6, 17, 40

[56] References Cited

U.S. PATENT DOCUMENTS

D. 200,724	3/1965	Grogel	.....	D9/429
D. 223,854	6/1972	Swett et al.	.....	D7/40
3,301,464	1/1967	Amberg	.....	D9/454 X
3,480,177	11/1969	Elliot	.....	D9/454 X
3,805,991	4/1974	Cheladze et al.	.....	D7/40 X
4,096,947	6/1978	Morse	.....	229/1.5 B X
4,193,494	3/1980	Green	.....	229/1.5 B X
4,420,081	12/1983	Dart	.....	229/1.5 B X

Primary Examiner—Robert C. Spangler  
Attorney, Agent, or Firm—George P. Pappas

[57] CLAIM

The ornamental design for a combined packaging cup and lid therefor, as shown and described.

DESCRIPTION

FIG. 1 is a side elevational view of a combined packag-

ing cup and lid therefor showing my new design, said side elevational view being broken away to show the cross-sectional configuration of the interlocked portions of the lid and cup.

FIG. 2 is an exploded perspective view thereof.

FIG. 3 is a top view of the lid portion thereof.

FIG. 4 is a cross-sectional view of the lid portion thereof taken on line 4—4 of FIG. 3.

FIG. 5 is a bottom view of the lid portion thereof.

FIG. 6 is a side elevational view of the lid portion thereof with a portion thereof broken away to show the cross-sectional configuration thereof.

FIG. 7 is a bottom view of the cup portion thereof.

FIG. 8 is a side elevational view of the cup portion thereof with a portion thereof broken away to show the cross-sectional configuration thereof.

FIG. 9 is a top view of the cup portion thereof.

FIG. 10 is a side elevational view of another modified embodiment of the combined packaging cup and lid therefor showing my new design.

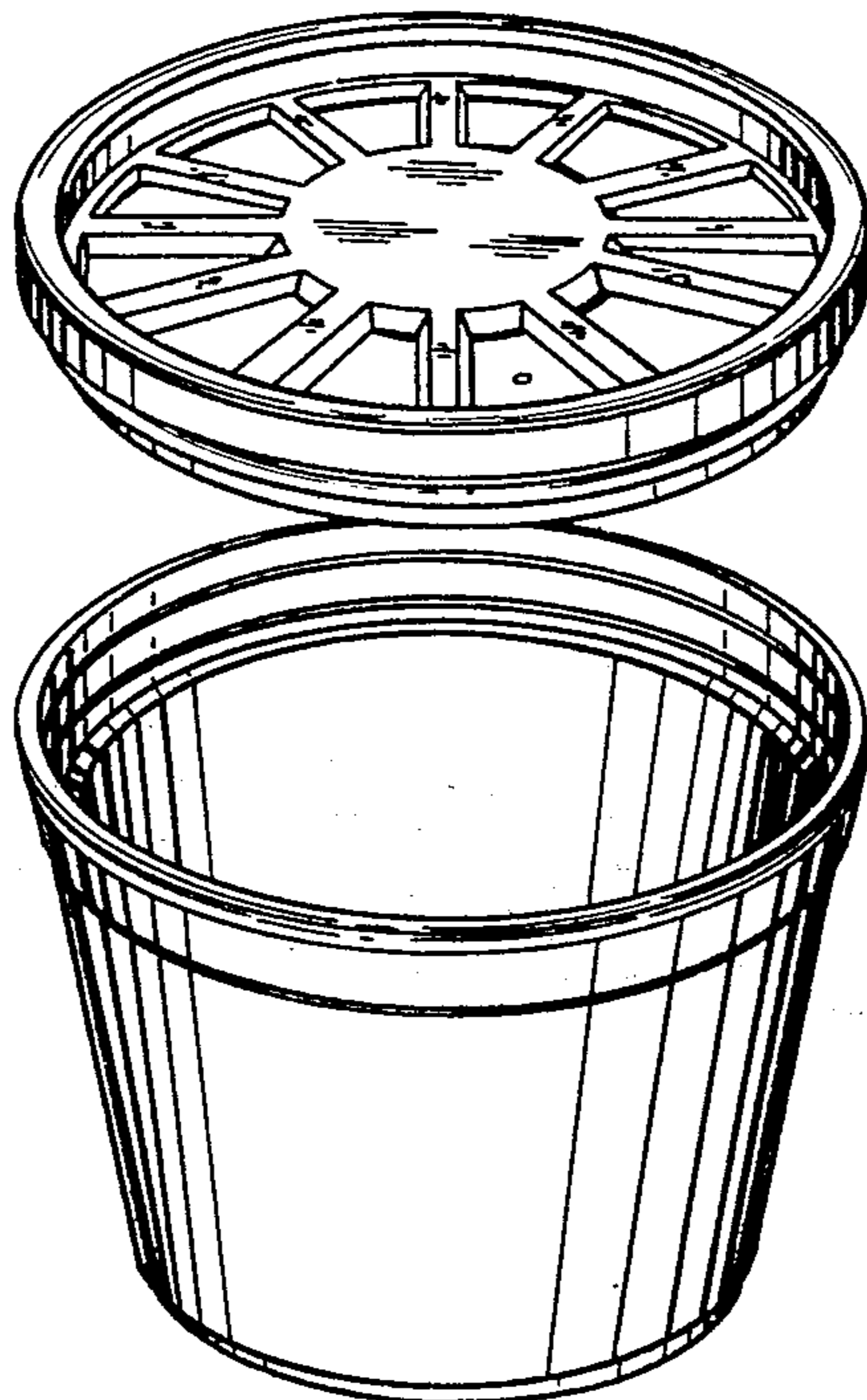
FIG. 11 is a top view of the modified embodiment of my new design shown in FIG. 10.

FIG. 12 is a side elevational view of the lid portion of the modified embodiment of my new design shown in FIG. 10 with a portion broken away to show the cross-sectional configuration thereof.

FIG. 13 is a bottom view of the modified embodiment of the lid portion shown in FIG. 12.

FIG. 14 is a cross-sectional view thereof taken on line 14—14 of FIG. 11.

FIG. 15 is an enlarged partial schematic cross-sectional view showing the modified embodiment of my new design as shown in FIG. 10 and taken on line 15—15 of FIG. 13 insofar as the lid portion thereof is concerned.



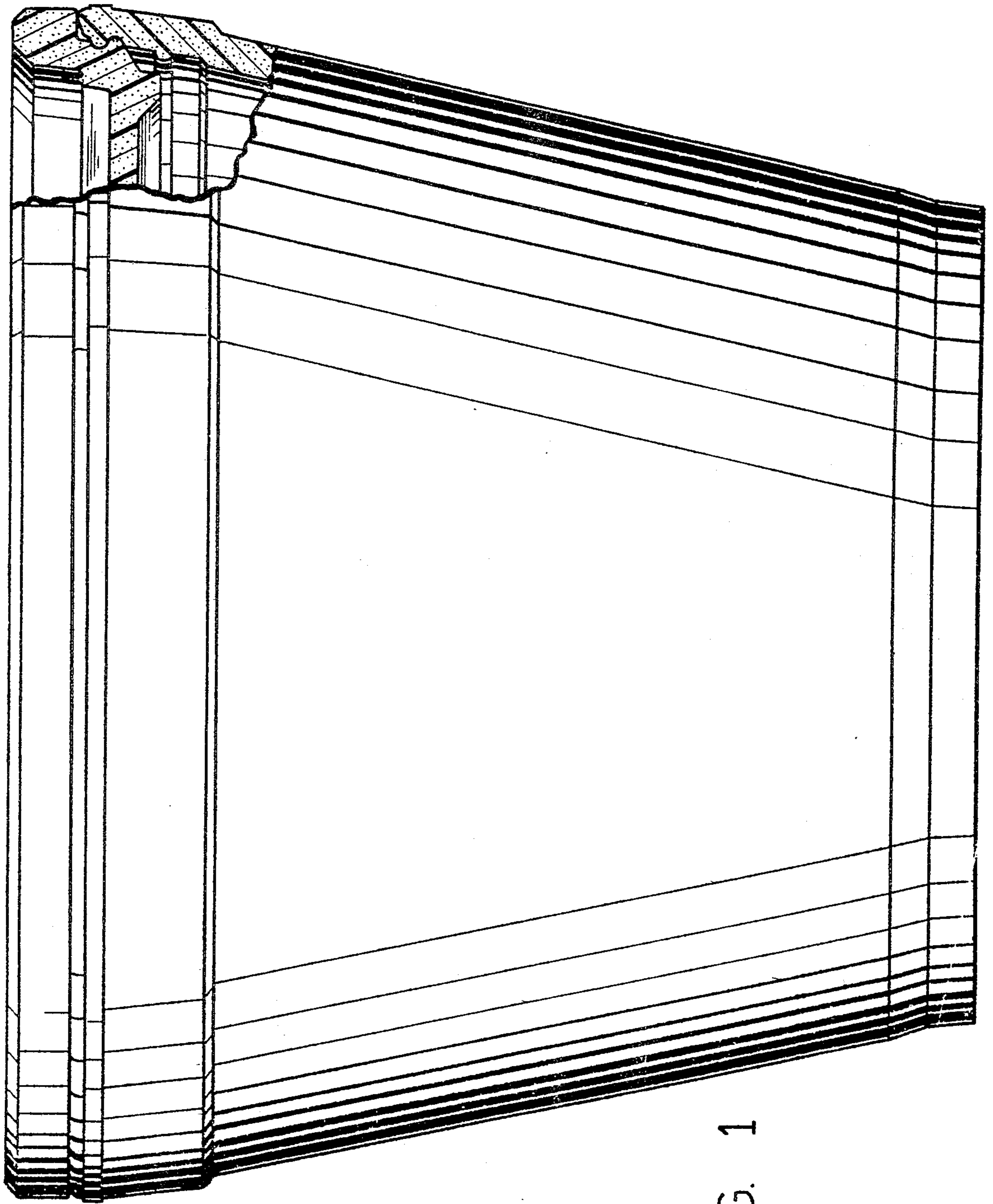
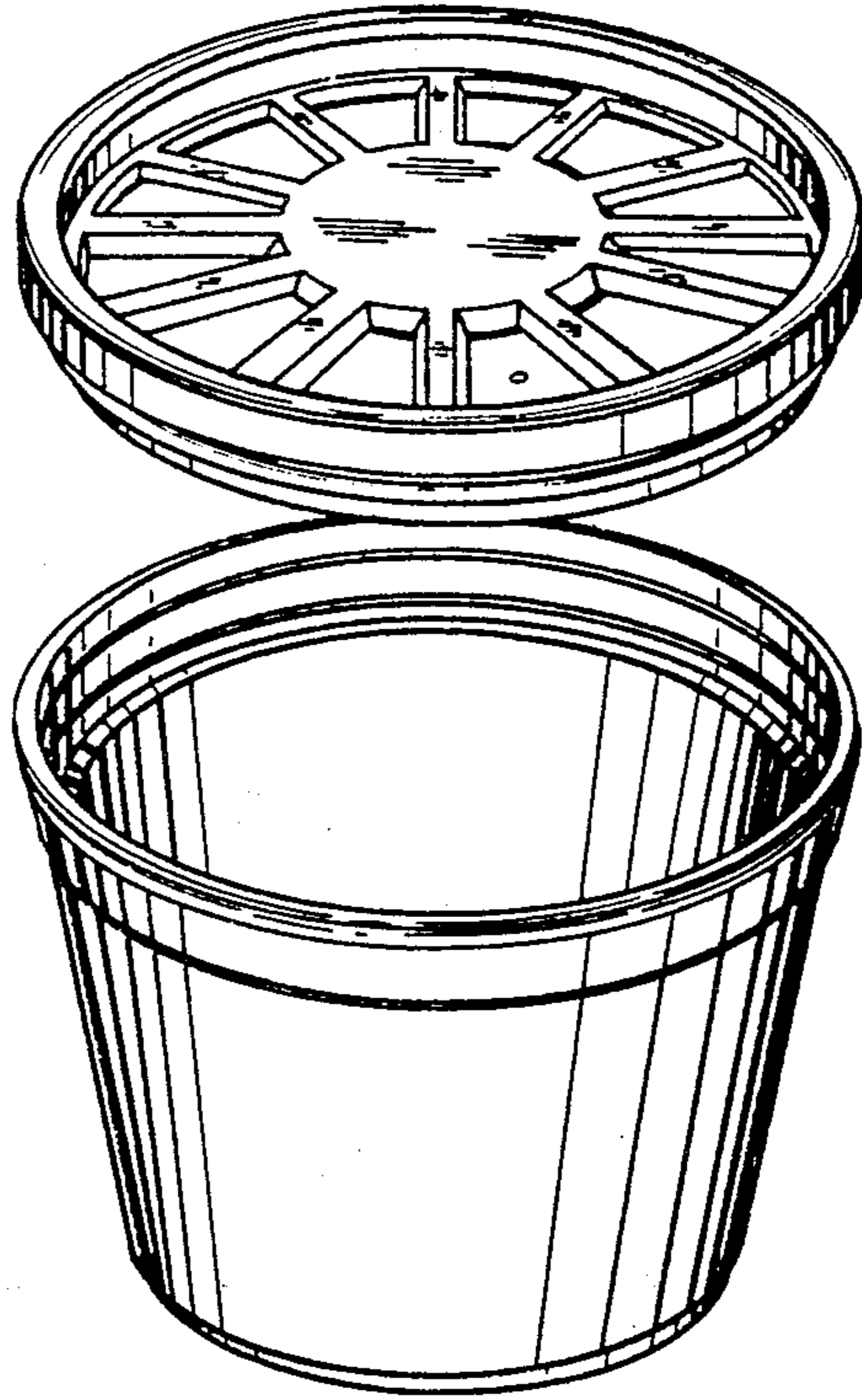
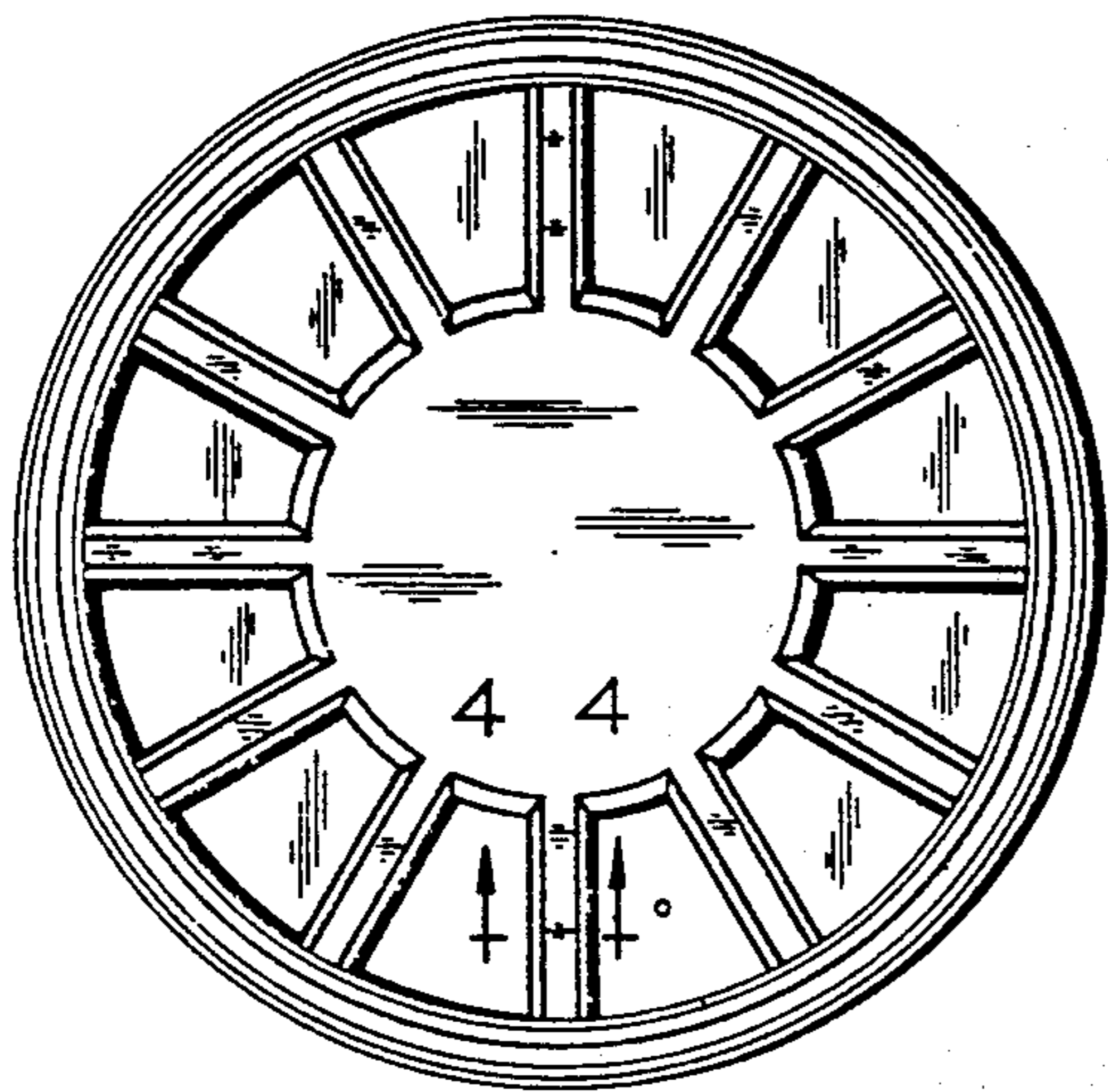


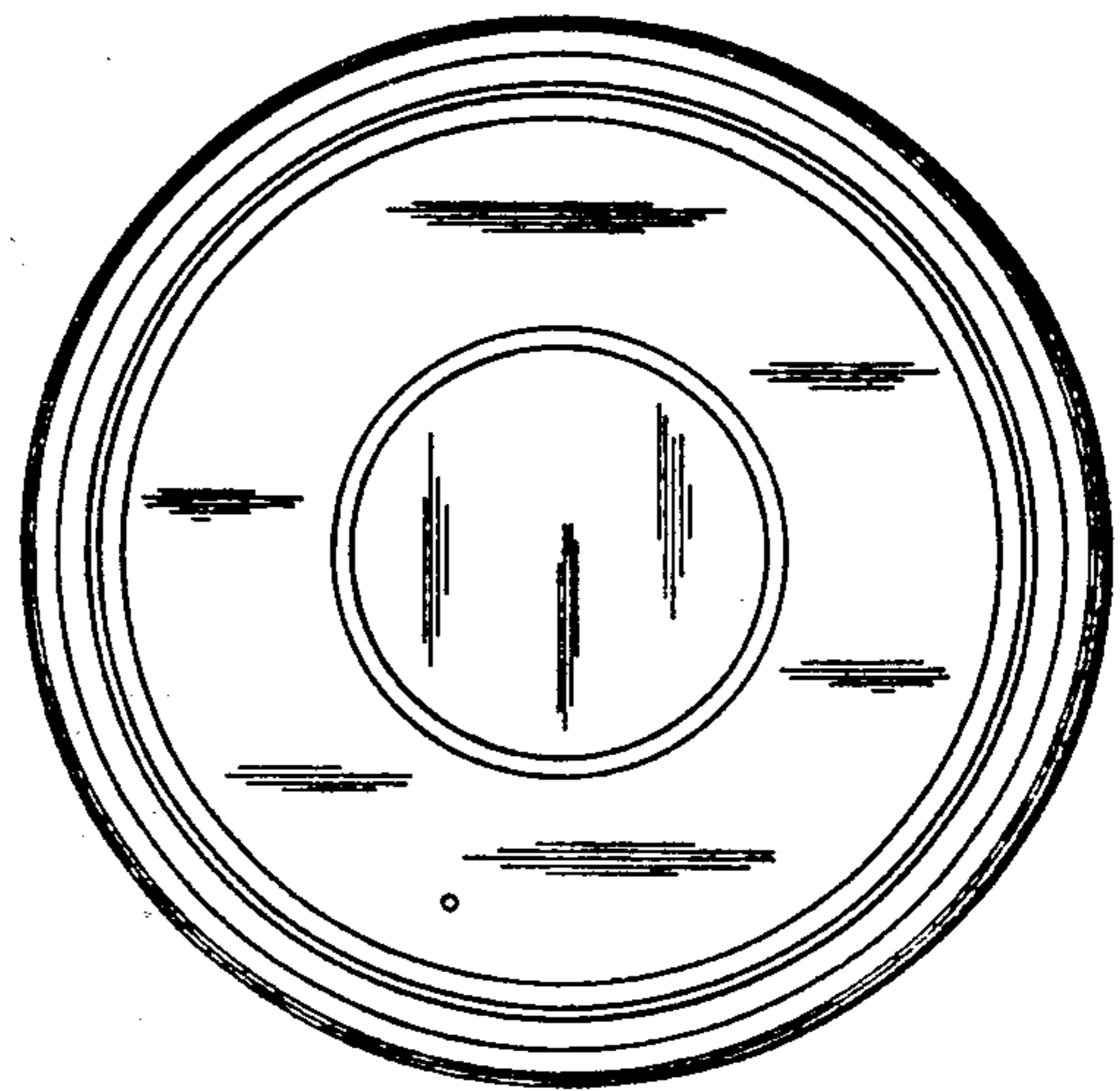
FIG. 1



—FIG. 2



—FIG. 3



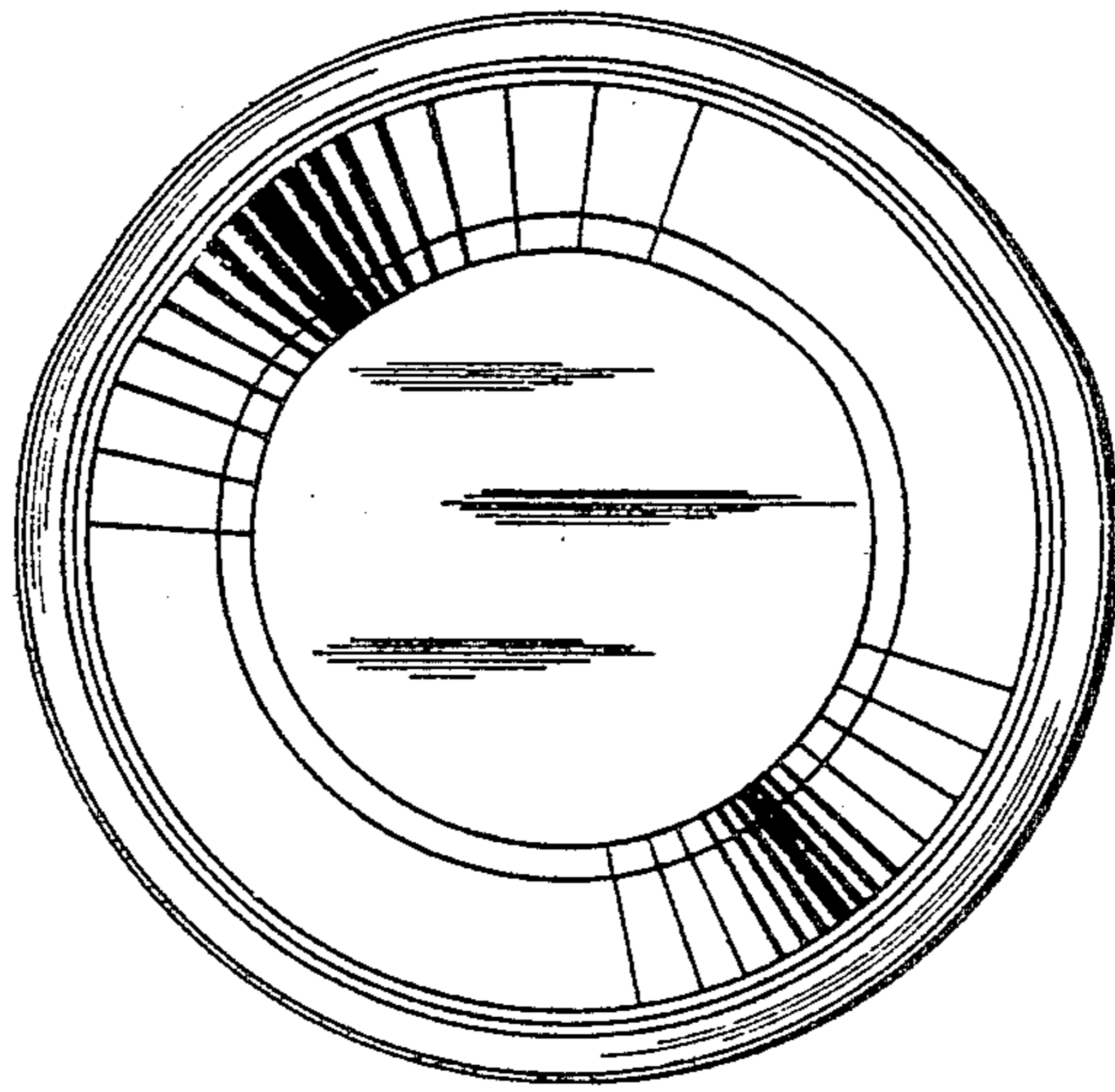
—FIG. 5



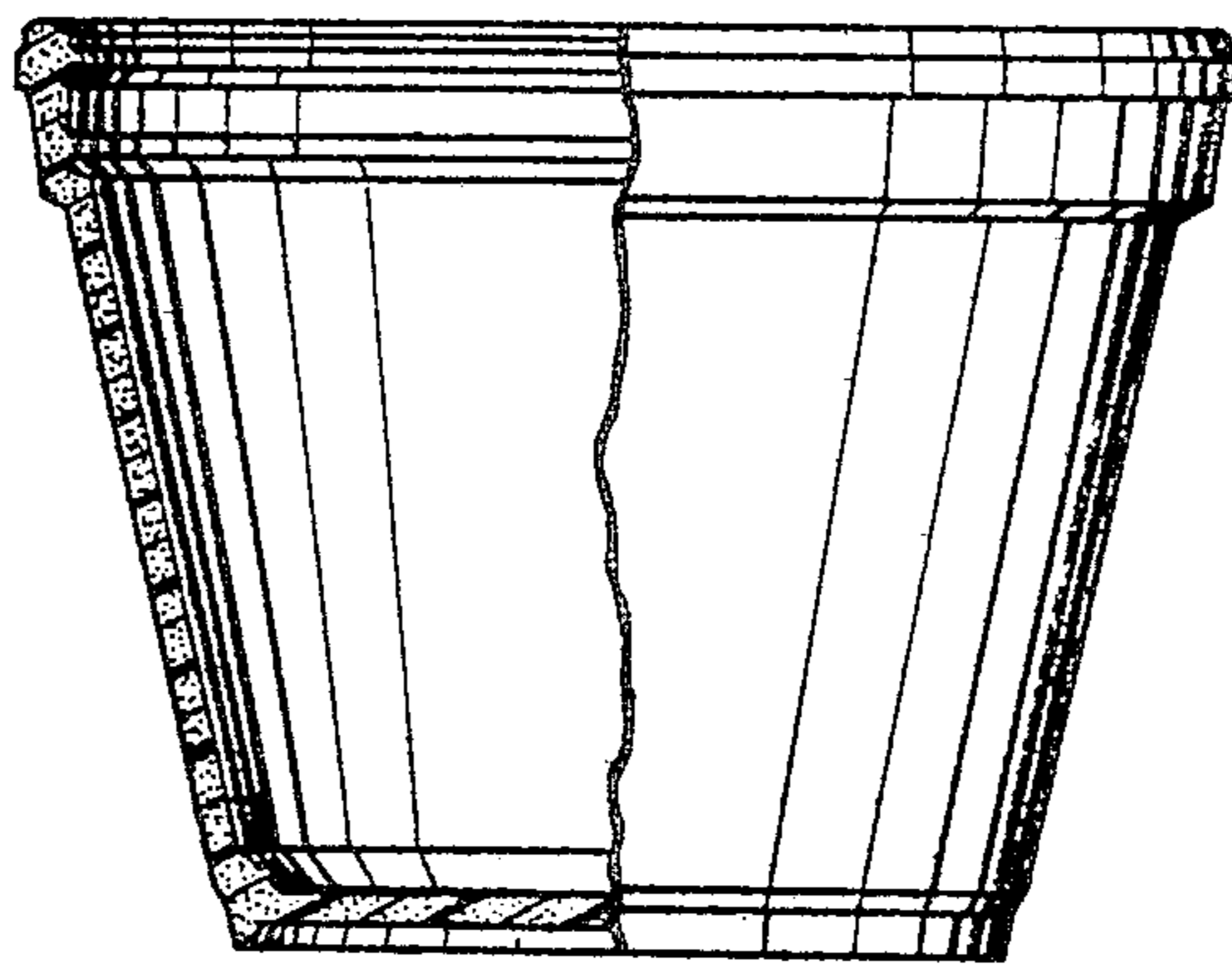
—FIG. 4



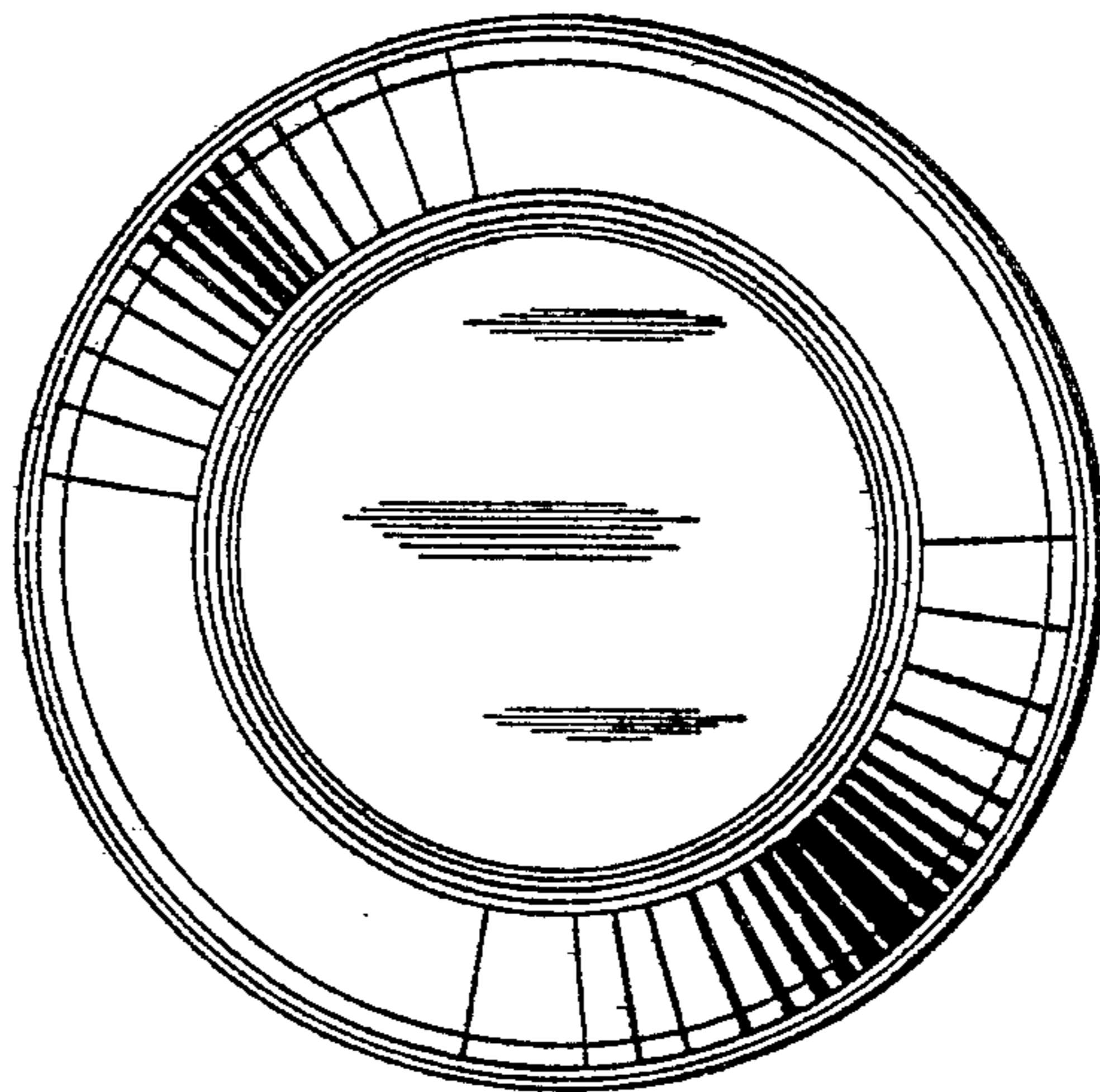
—FIG. 6



—FIG. 7



—FIG. 8



—FIG. 9

FIG. 10

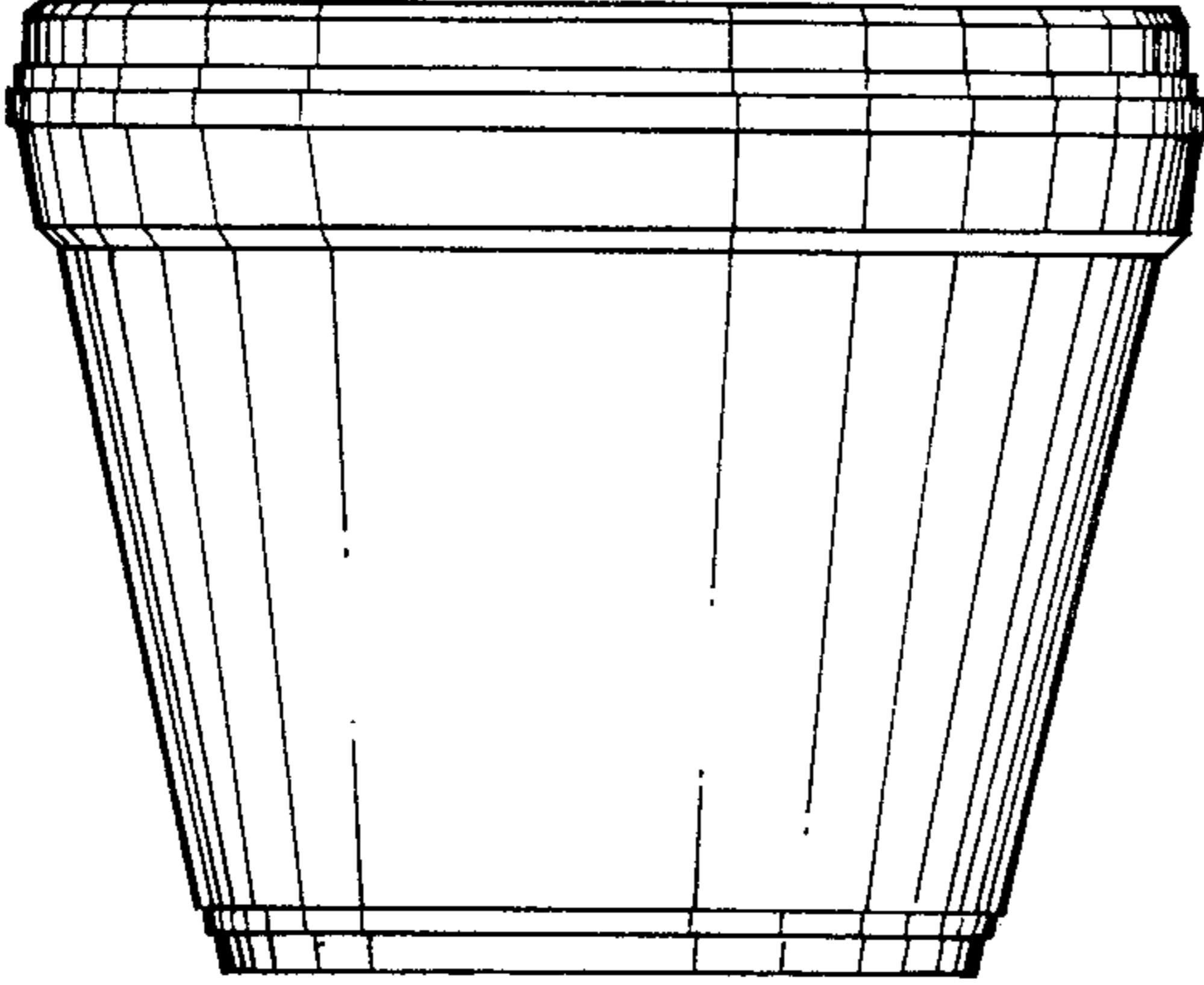


FIG. 11

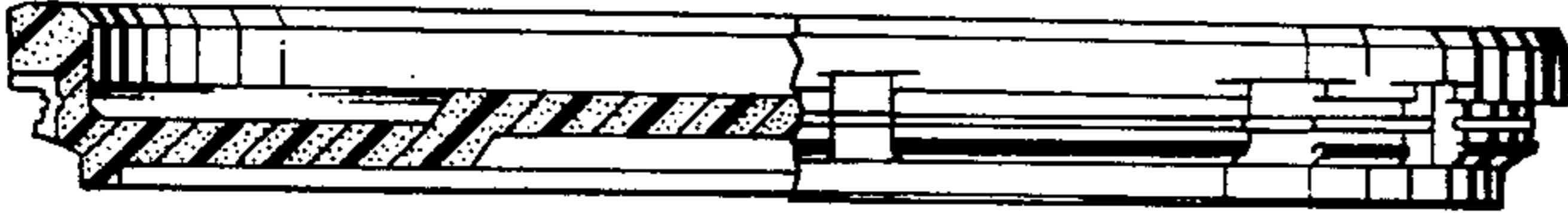
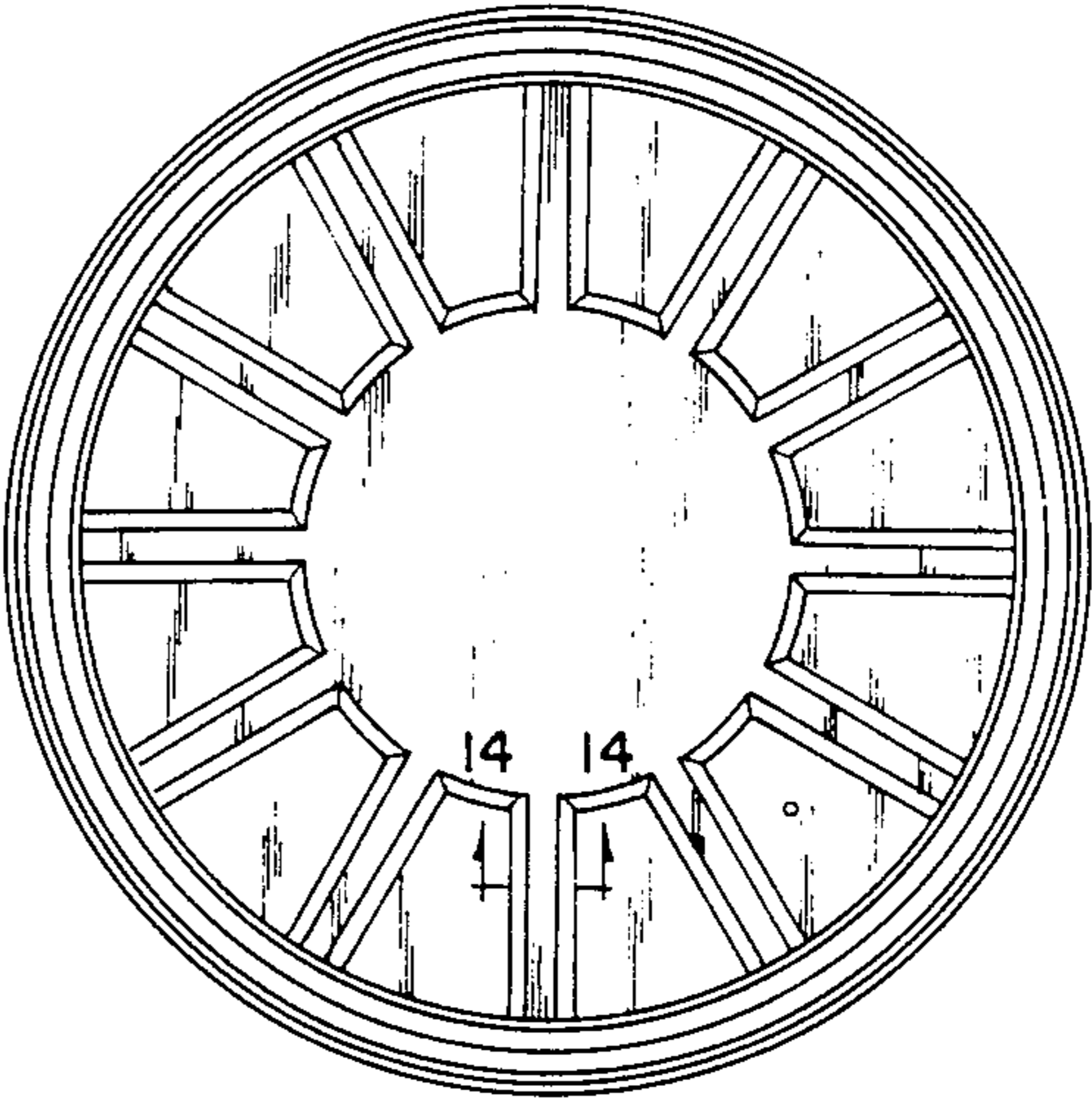


FIG. 12



FIG. 14

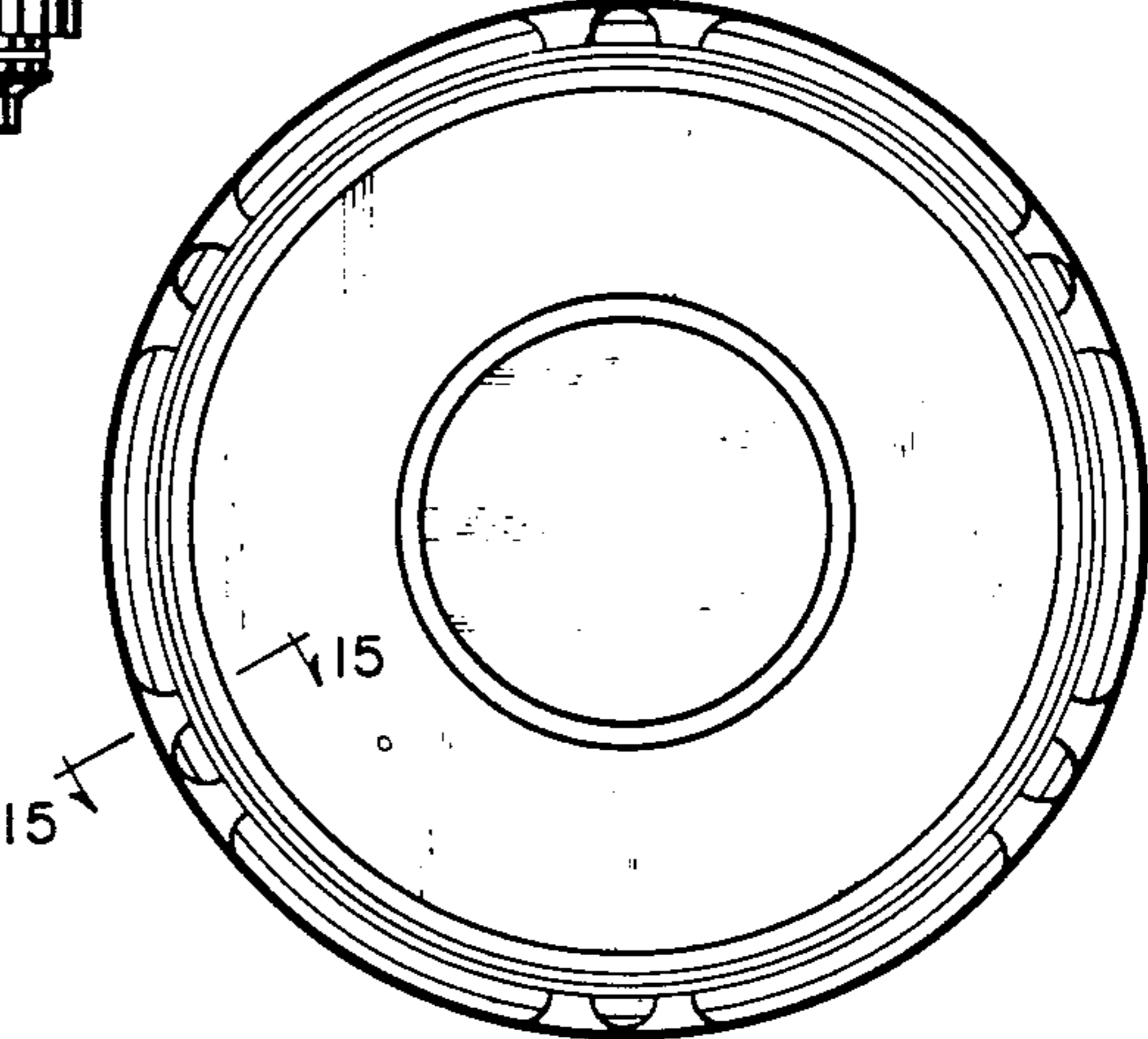


FIG. 13

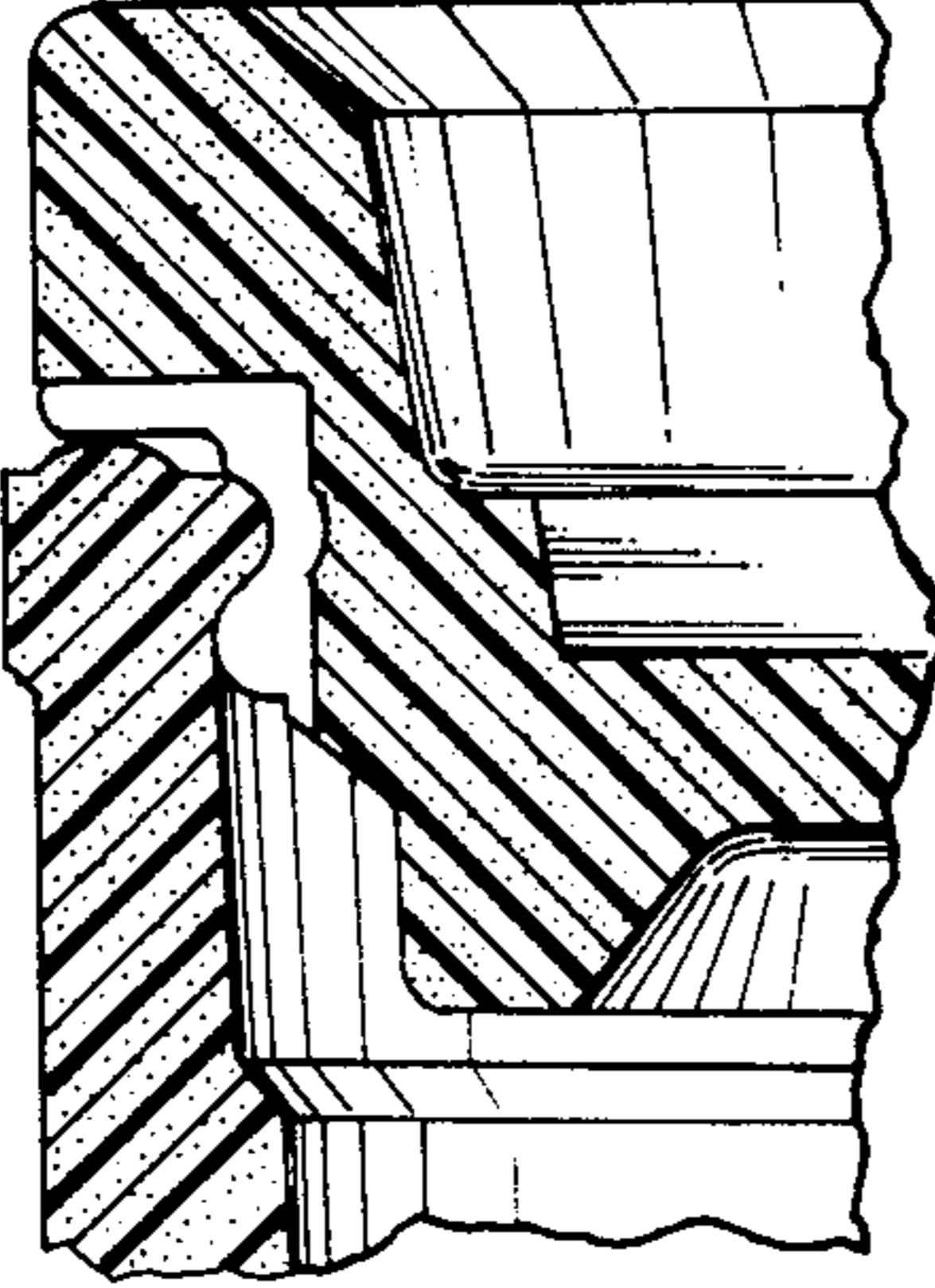


FIG. 15