

[54] CLAMPING BASE FOR CABLE CLAMPS OR THE LIKE

3,913,876 10/1975 McSherry 248/73
4,125,240 11/1978 Heard 248/73

[75] Inventor: William A. Fortsch, Bernardsville, N.J.

Primary Examiner—B. J. Bullock
Attorney, Agent, or Firm—Robert M. Rodrick; Salvatore J. Abbruzzese

[73] Assignee: Thomas & Betts Corporation, Raritan, N.J.

[57] CLAIM

[**] Term: 14 Years

The ornamental design for a clamping base for cable clamps or the like, as shown and described.

[21] Appl. No.: 466,394

DESCRIPTION

[22] Filed: Feb. 14, 1983

[52] U.S. Cl. D8/396; D8/394

[58] Field of Search D8/382, 394-396; 248/73; 24/16 PB

FIG. 1 is a top perspective view of a clamping base for cable clamps or the like showing my new design, the cable clamp being shown in broken lines for illustrative purposes only;

FIG. 2 is a top plan view thereof;

FIG. 3 is a front elevational view thereof, the rear being a mirror image;

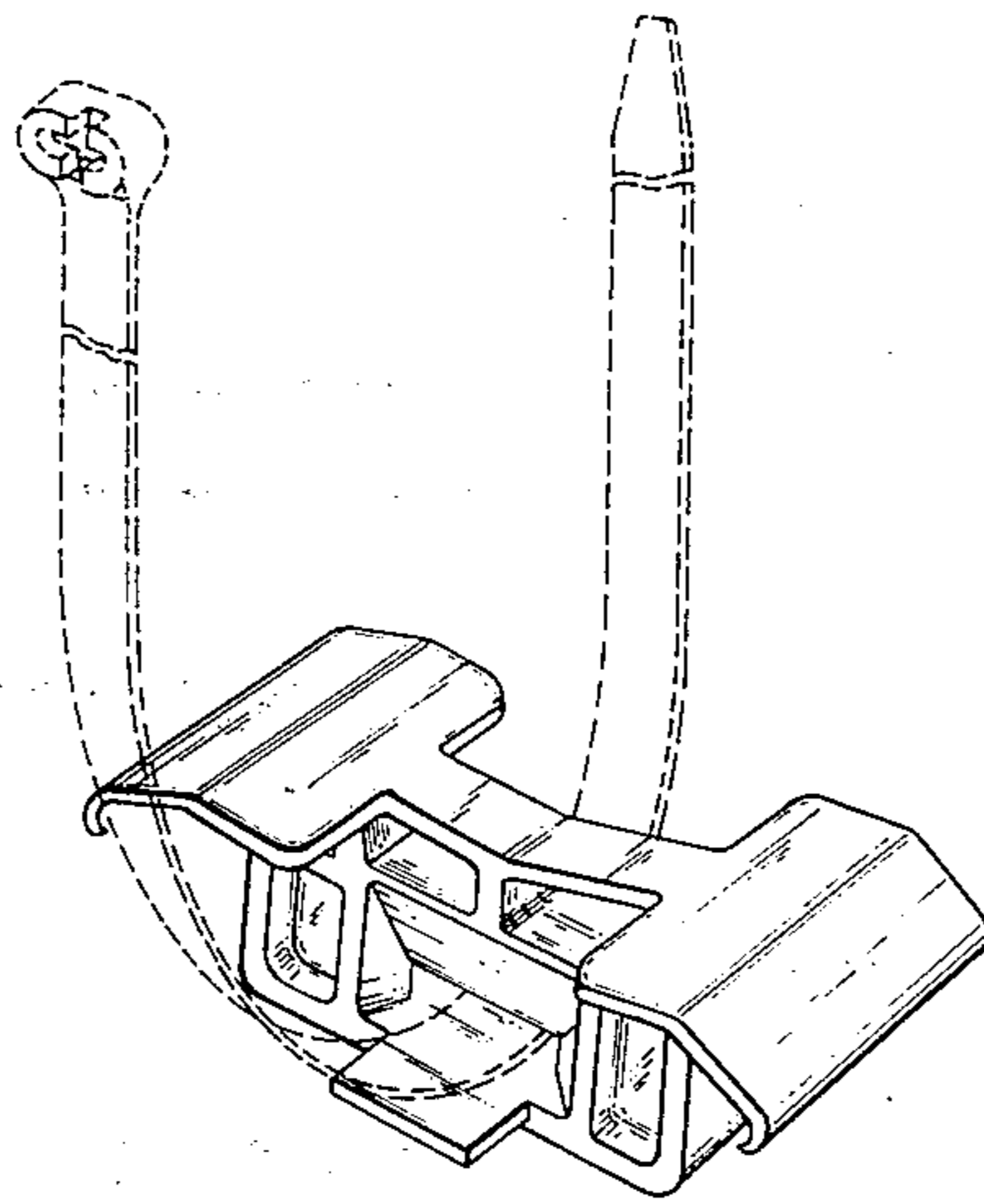
FIG. 4 is a side elevational view thereof;

FIG. 5 is a bottom plan view thereof.

[56] References Cited

U.S. PATENT DOCUMENTS

D. 250,876 1/1979 Lindblom D8/396



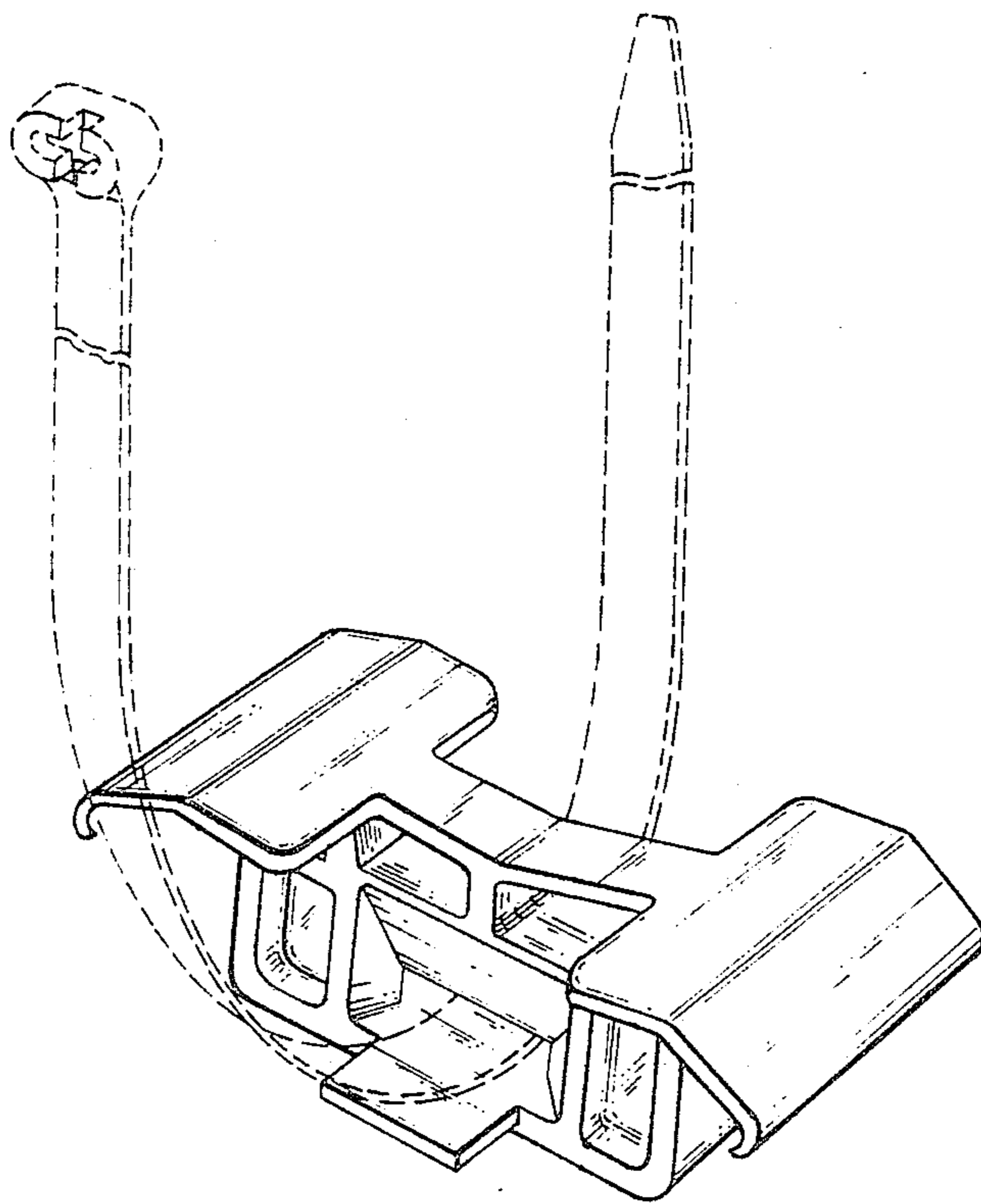


FIG. 1

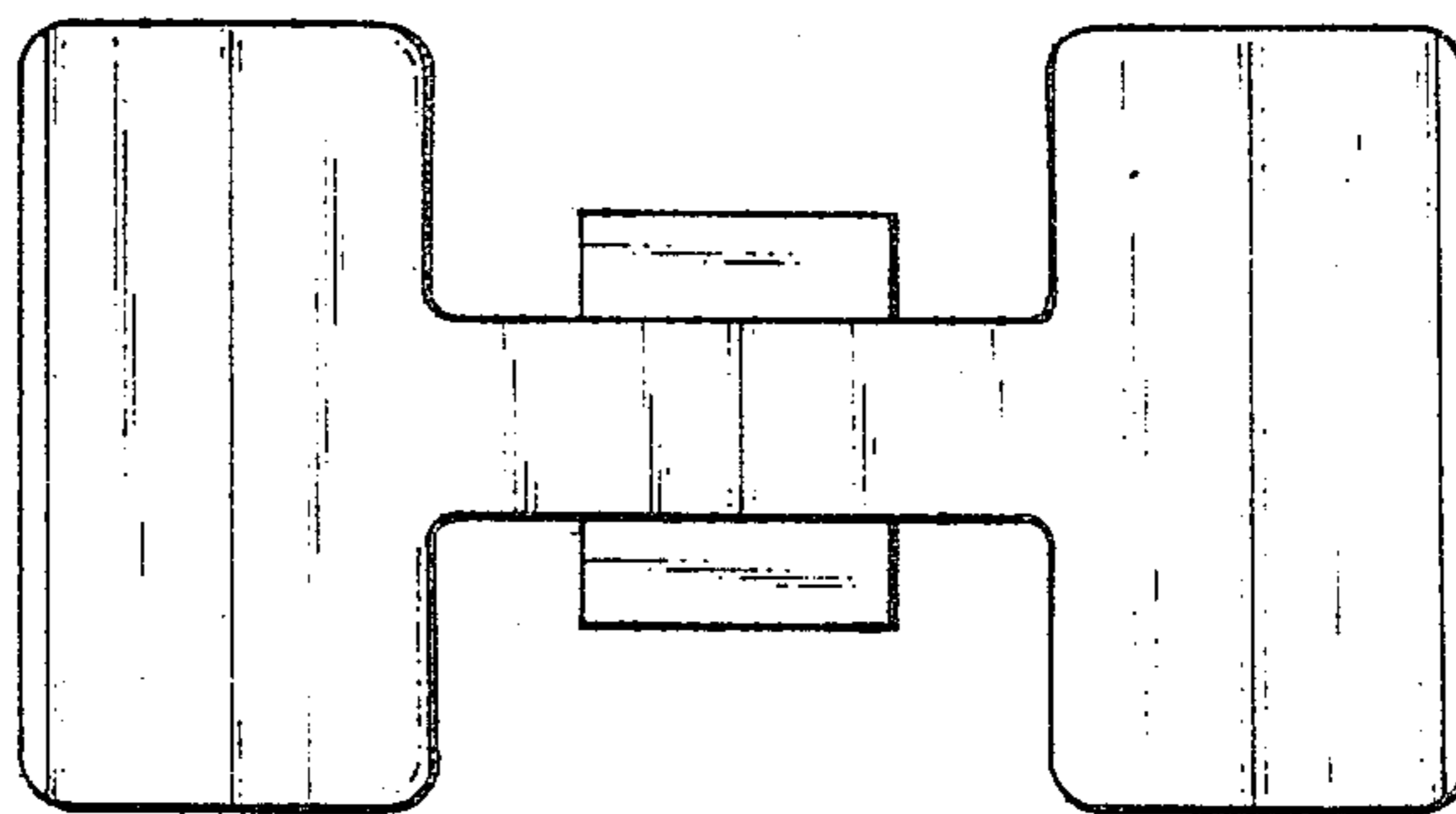


FIG. 2

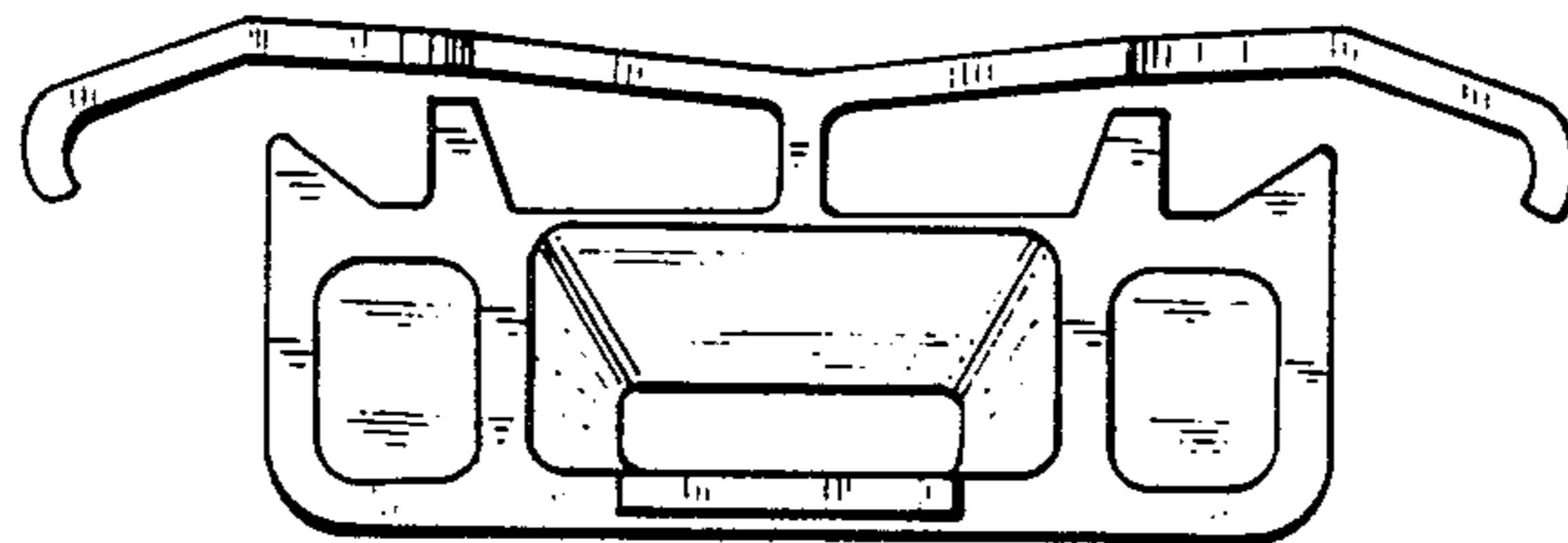


FIG. 3

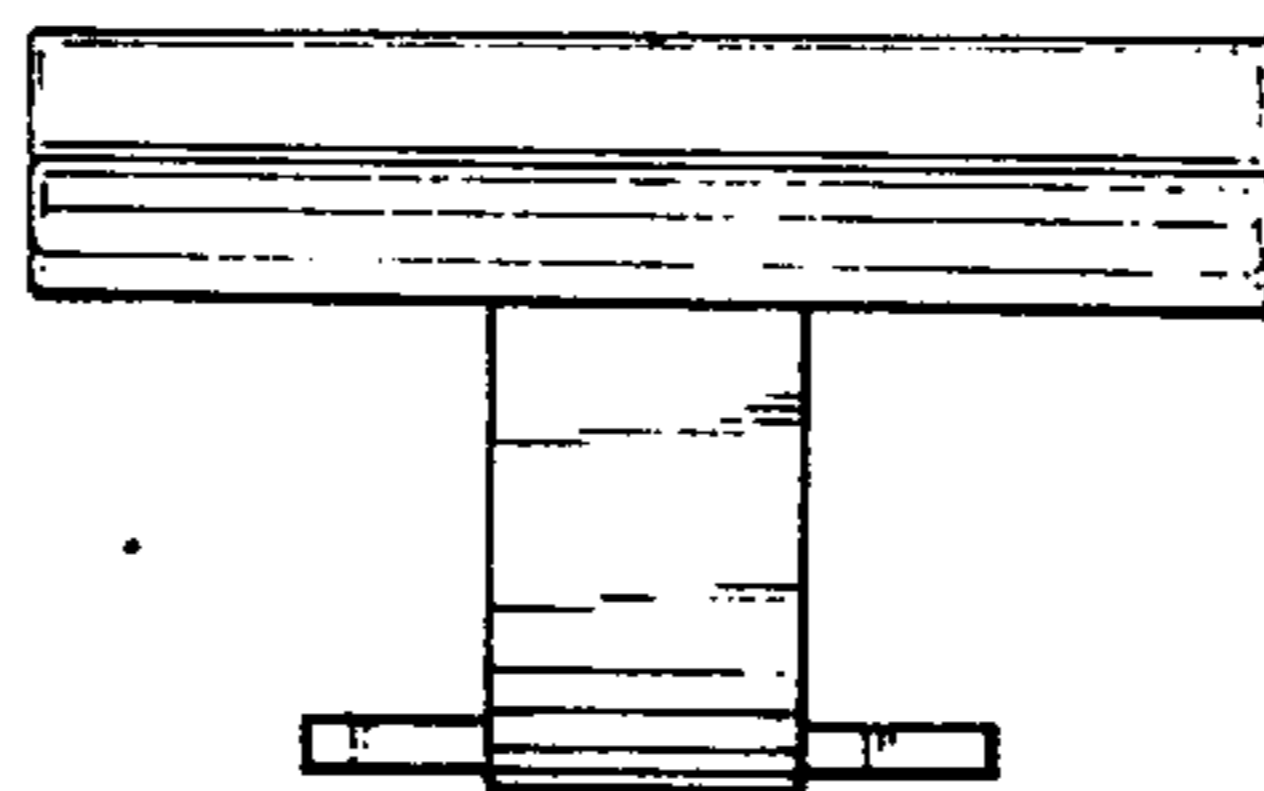


FIG. 4

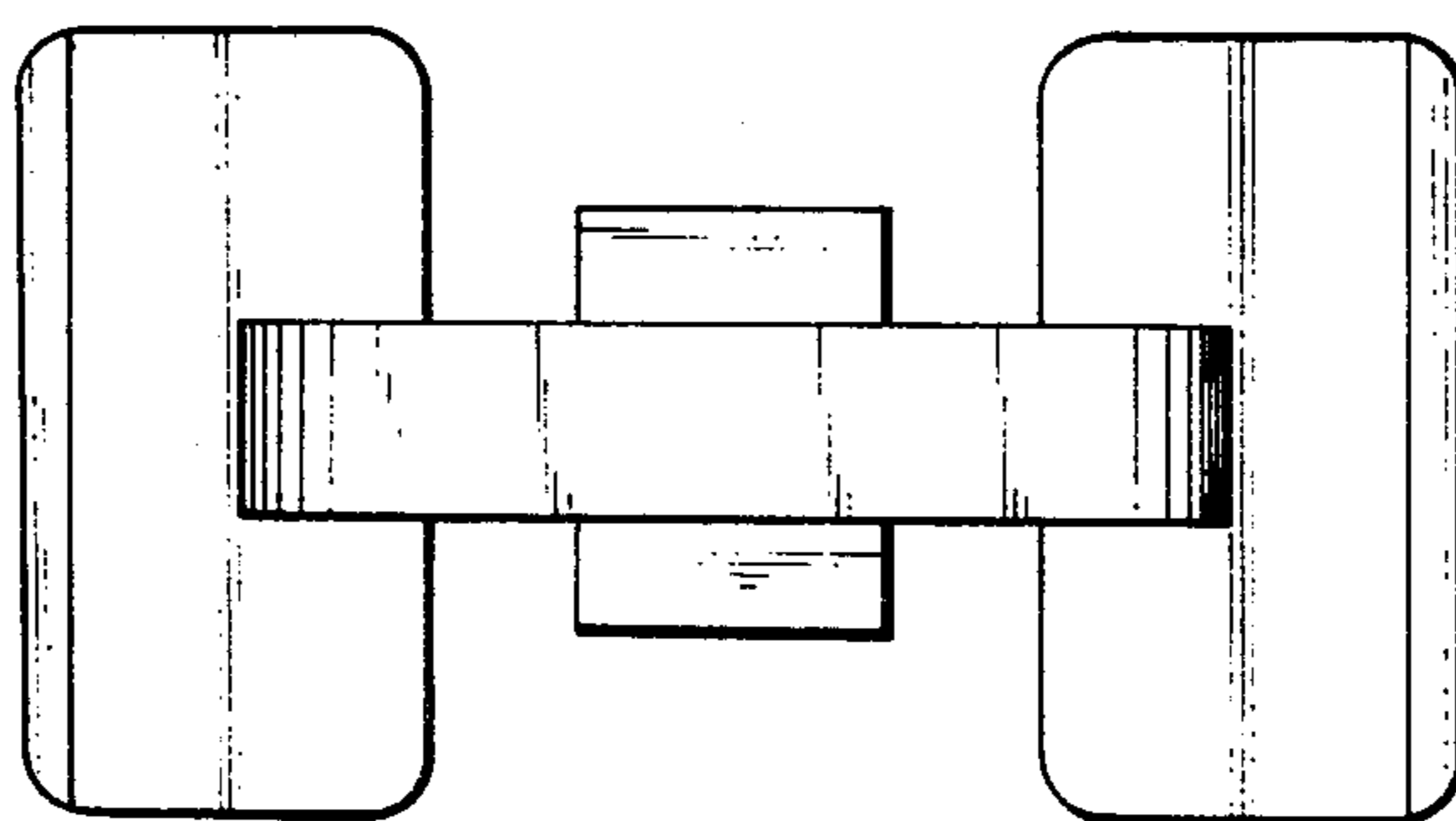


FIG. 5