

[54] **TILE CONTOUR TEMPLATE**

[76] **Inventor: Mervin C. Kendall, 945 Rembrandt Dr., Laguna Beach, Calif. 92651**

[**] **Term: 14 Years**

[21] **Appl. No.: 431,132**

[22] **Filed: Sep. 30, 1982**

[52] **U.S. Cl. D8/14; D8/16; D10/64**

[58] **Field of Search D8/14, 16, 19; D10/64; D19/34-40; 33/174 R, 174 G, 178 B**

[56] **References Cited**

U.S. PATENT DOCUMENTS

- D. 104,867 6/1937 McIntosh D10/64
- D. 113,527 2/1939 Bauberger et al. D10/64
- D. 249,655 9/1978 Gullaksen et al. D10/64
- 2,823,461 2/1958 Schneider D10/64 X

FOREIGN PATENT DOCUMENTS

805907 12/1958 United Kingdom 33/174 R X

Primary Examiner—Susan J. Lucas
Assistant Examiner—Clare E. Heflin
Attorney, Agent, or Firm—Fulwider, Patton, Rieber, Lee & Utecht

[57] **CLAIM**

The ornamental design for a tile contour template, substantially as shown and described.

DESCRIPTION

FIG. 1 is a perspective view of a tile contour template showing my new design;
FIG. 2 is an end elevational view thereof on an enlarged scale, the opposite end being substantially identical;
FIG. 3 is a top plan view thereof on an enlarged scale;
FIG. 4 is a bottom plan view thereof on an enlarged scale;
FIG. 5 is a back elevational view thereof on an enlarged scale; and
FIG. 6 is a front elevational view thereof on an enlarged scale.

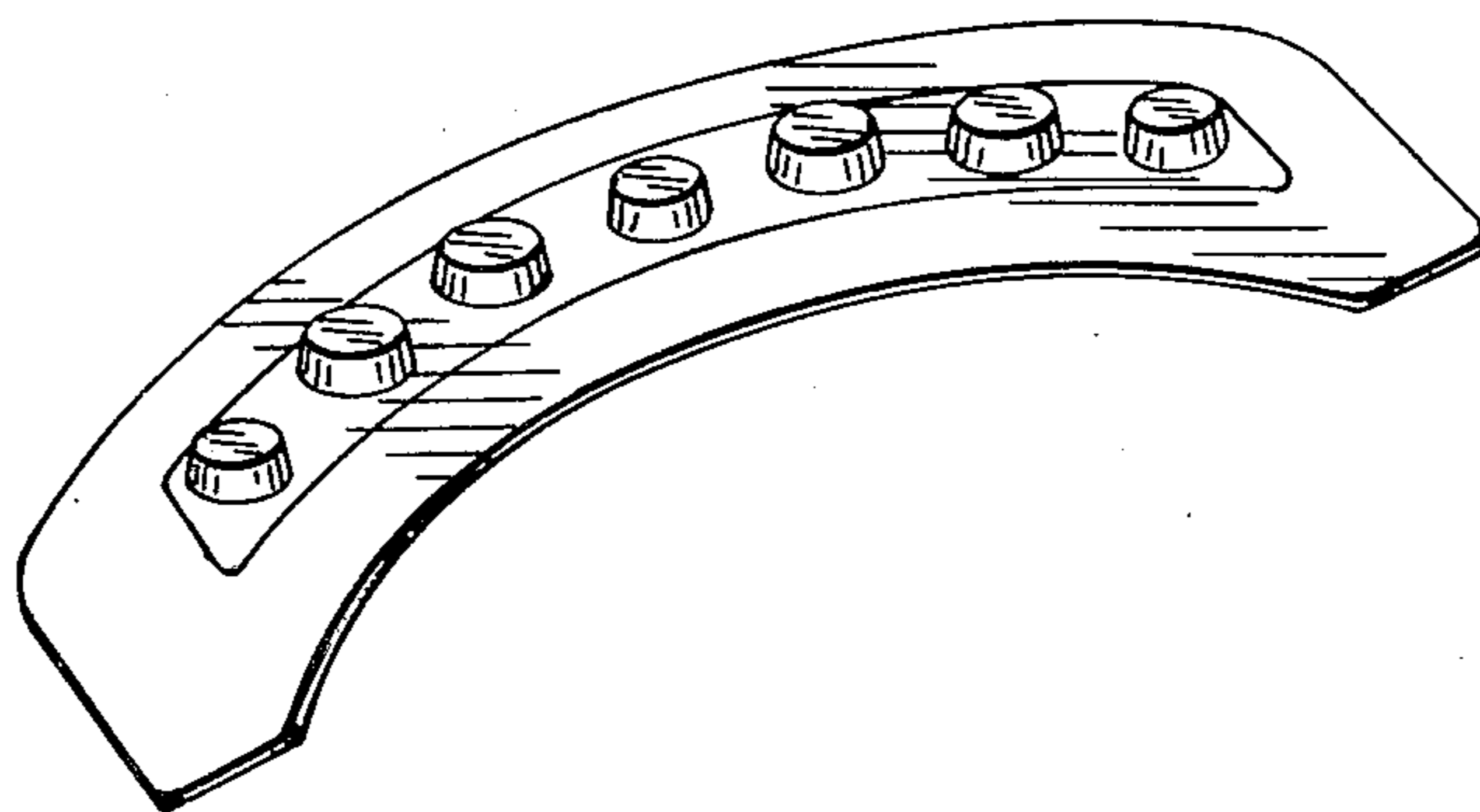


FIG. 1

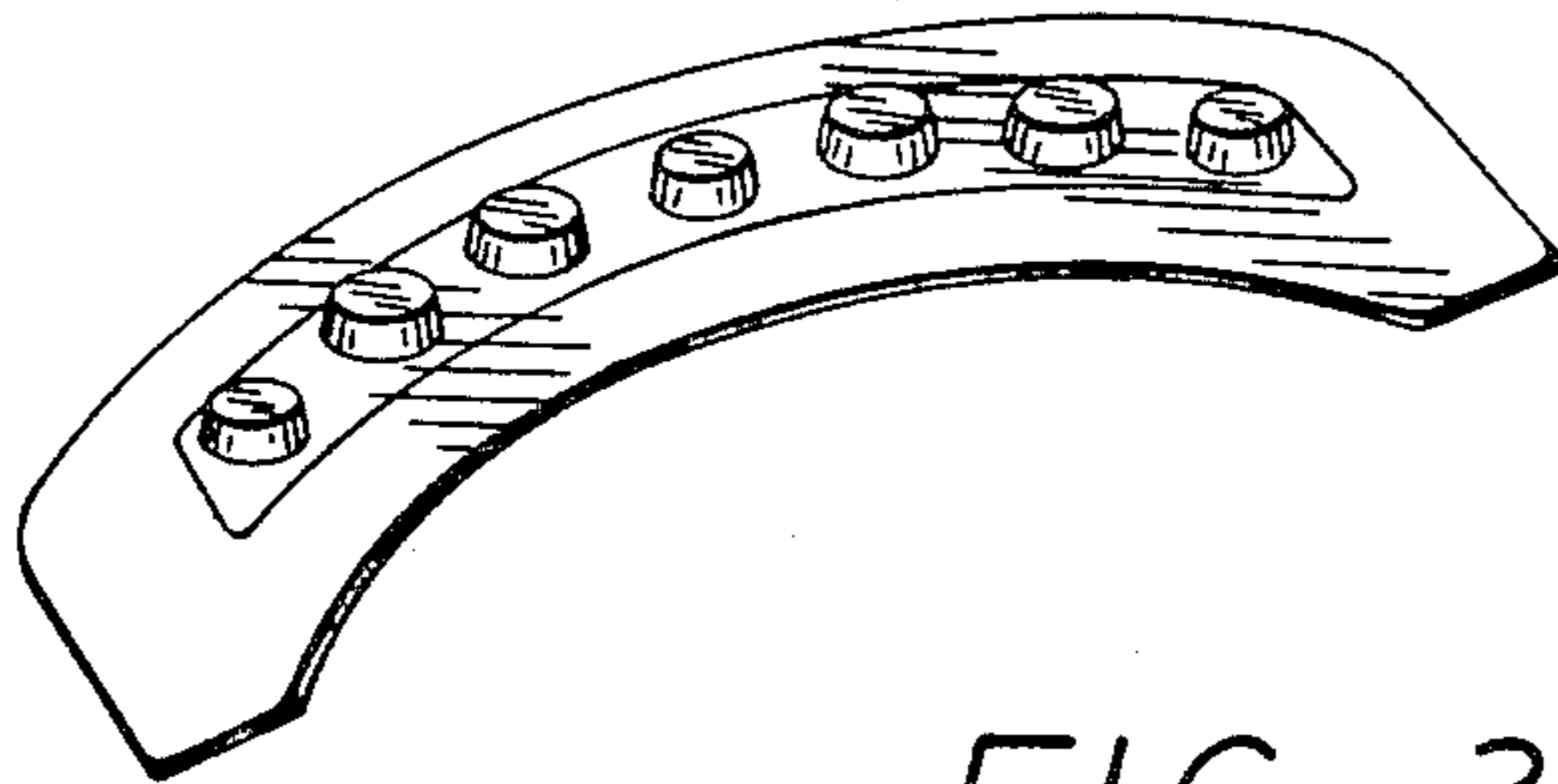


FIG. 2



FIG. 3

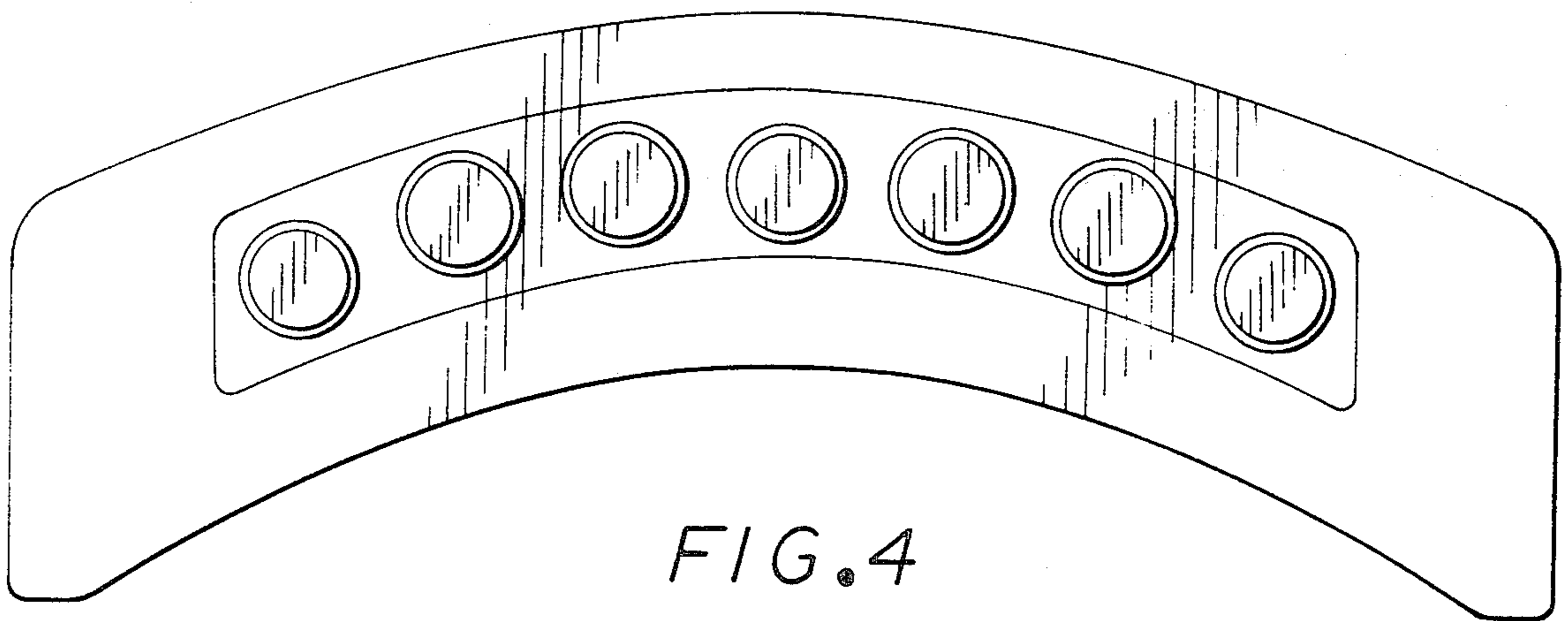


FIG. 4

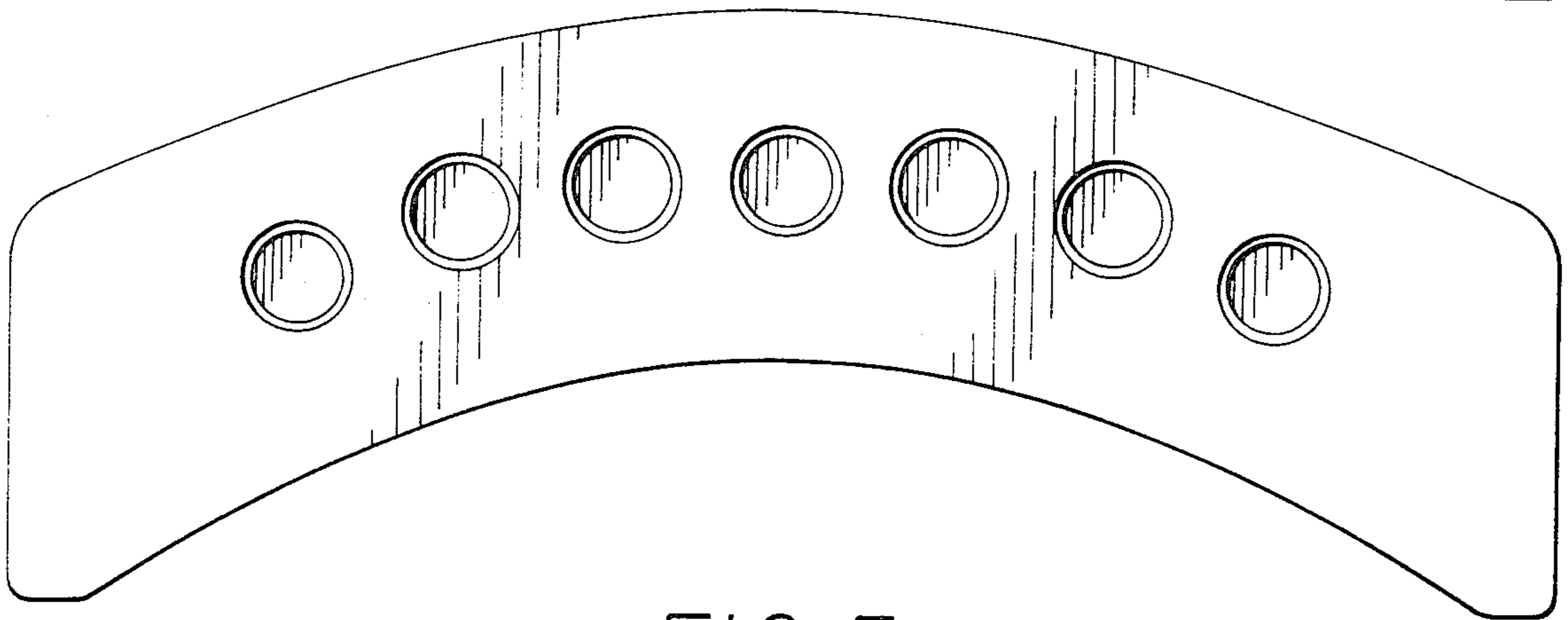


FIG. 5

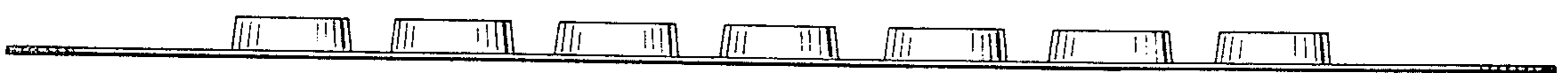
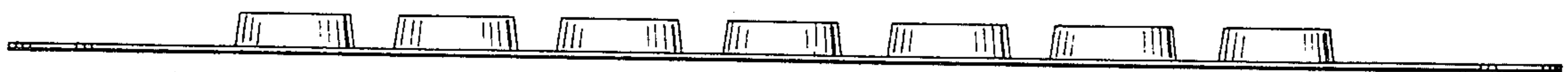


FIG. 6