

- [54] AUDIBLE SIGNALING DEVICE FOR A COOKING UTENSIL
- [75] Inventors: Edward J. Duquaine, Jr., West Bend, Wis.; David L. Painter, Glenview, Ill.
- [73] Assignee: Hy Cite Corporation, Madison, Wis.
- [**] Term: 14 Years
- [21] Appl. No.: 465,980
- [22] Filed: Feb. 14, 1983
- [52] U.S. Cl. D7/387; D10/119
- [58] Field of Search D10/104, 116, 119, 121; 340/406, 405, 404; 116/37 R, 67 R, 70; D21/64; D7/387, 358, 402, 393, 396, 399, 320, 321, 322, 391; D8/300; 99/285; 137/557

- 2,051,439 8/1936 Edwards D7/396 X
- 4,137,832 2/1979 Lambros 99/285
- 4,418,637 12/1983 Heermans 116/70

Primary Examiner—Bernard Ansher
Assistant Examiner—Linda Titolo
Attorney, Agent, or Firm—Neuman, Williams, Anderson & Olson

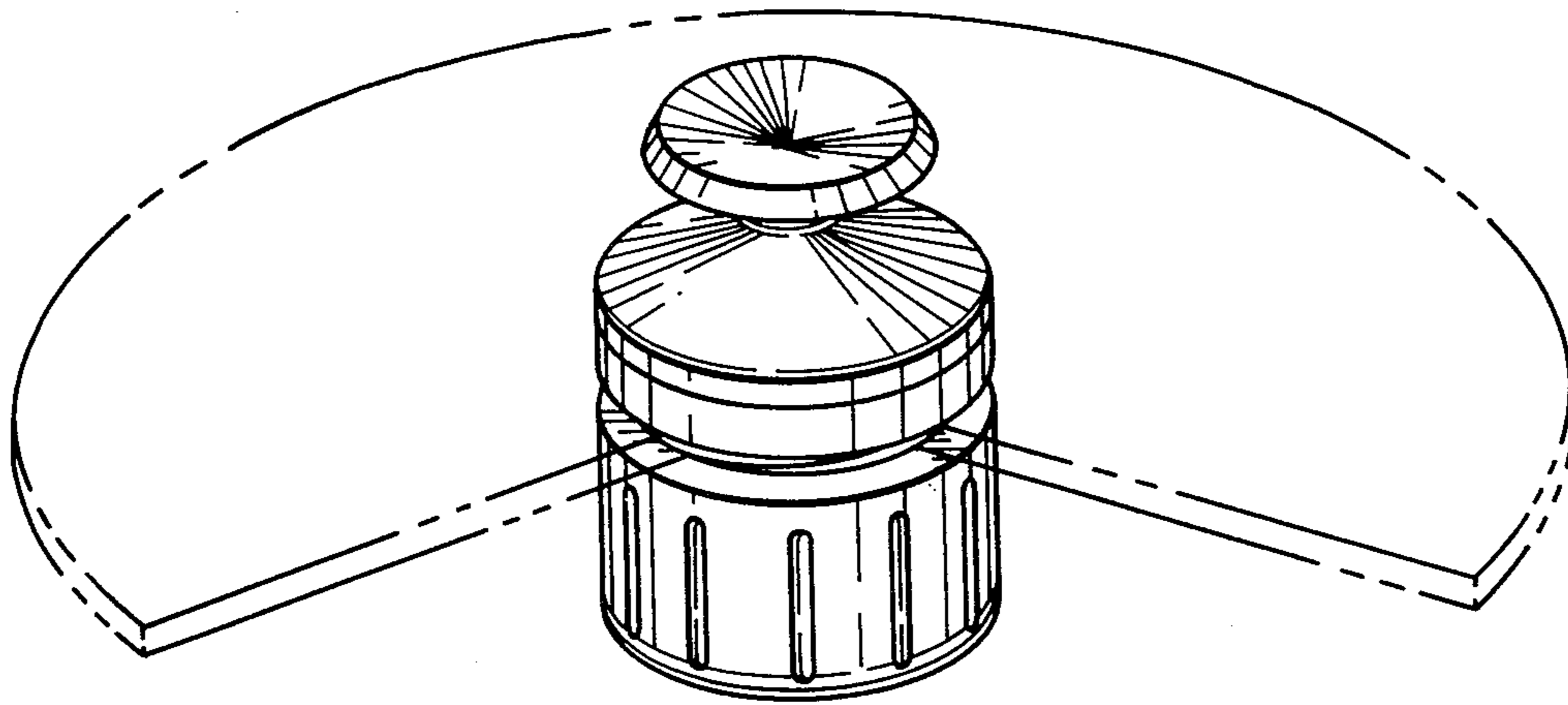
[57] CLAIM

The ornamental design for an audible signaling device for a cooking utensil, substantially as shown and described.

DESCRIPTION

FIG. 1 is a top front perspective view of an audible signaling device for a cooking utensil, showing our new design; the broken lines representing the fragmentary portion of the cooking utensil cover are shown for illustrative purposes only;
 FIG. 2 is a side elevational view thereof;
 FIG. 3 is a top plan view thereof; and
 FIG. 4 is a bottom plan view thereof.

- [56] **References Cited**
- U.S. PATENT DOCUMENTS
- D. 96,988 9/1935 Keating D7/321
- D. 228,057 8/1973 Stepanek D7/402
- D. 254,769 4/1980 Boldt et al. D7/402



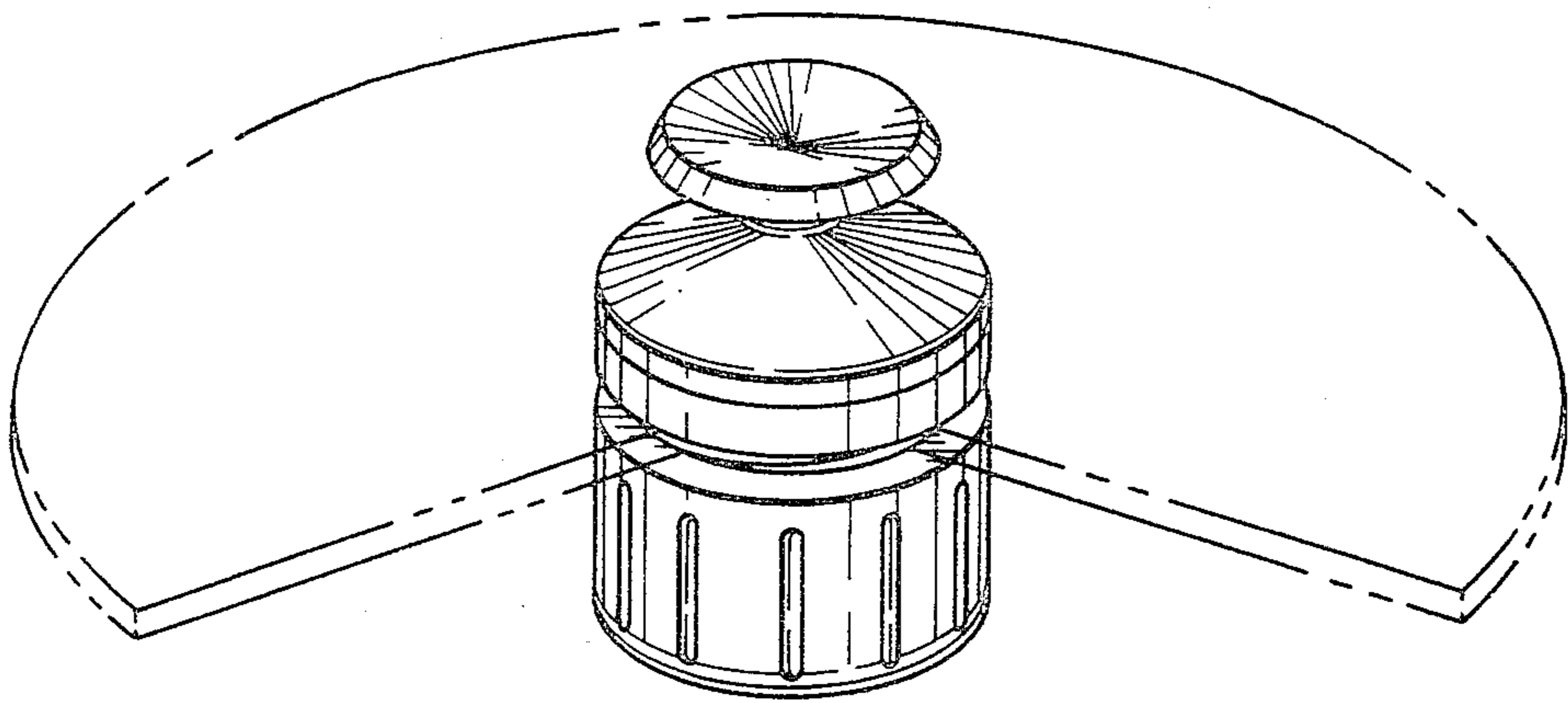


FIG. 1

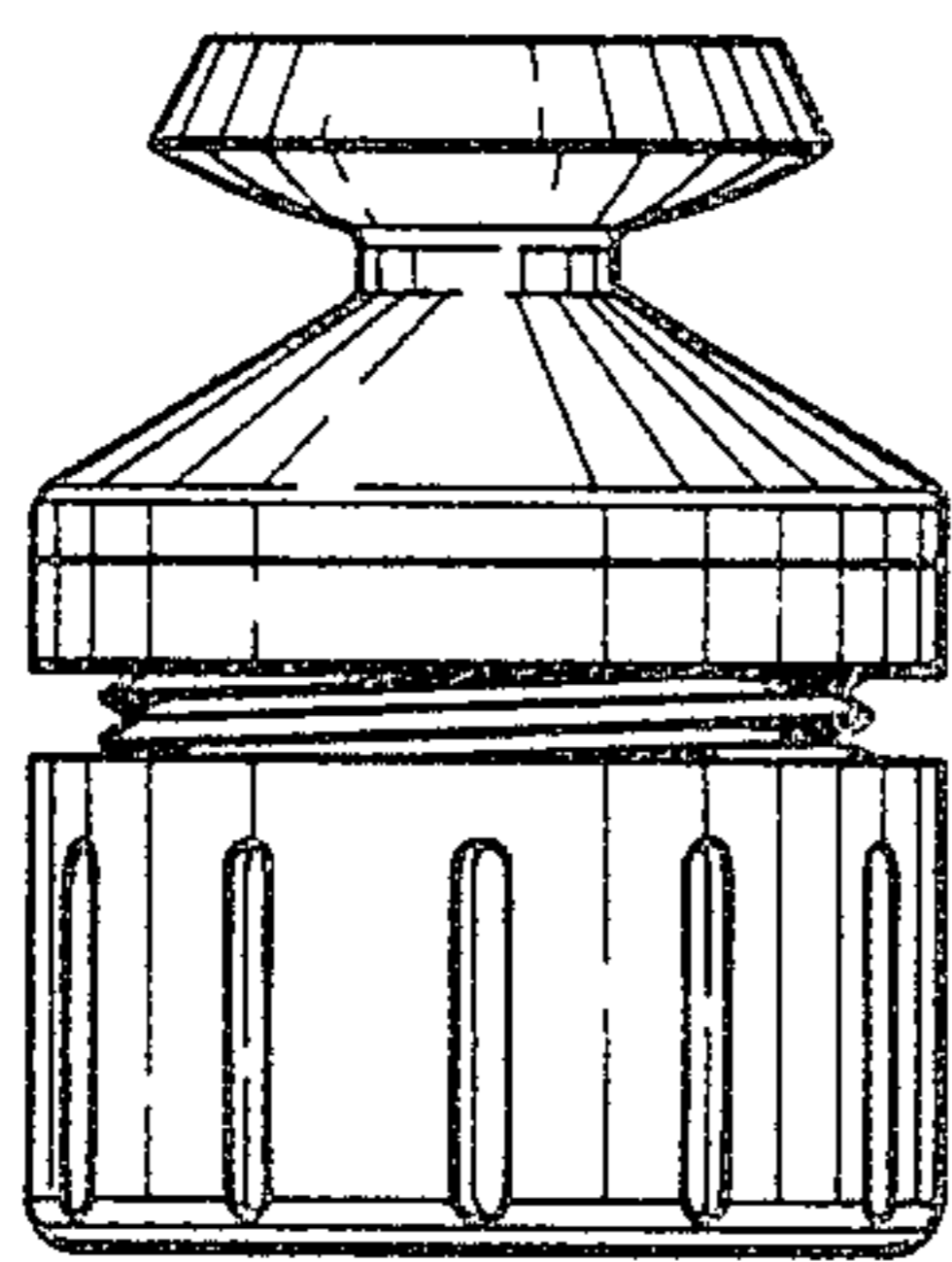


FIG. 2

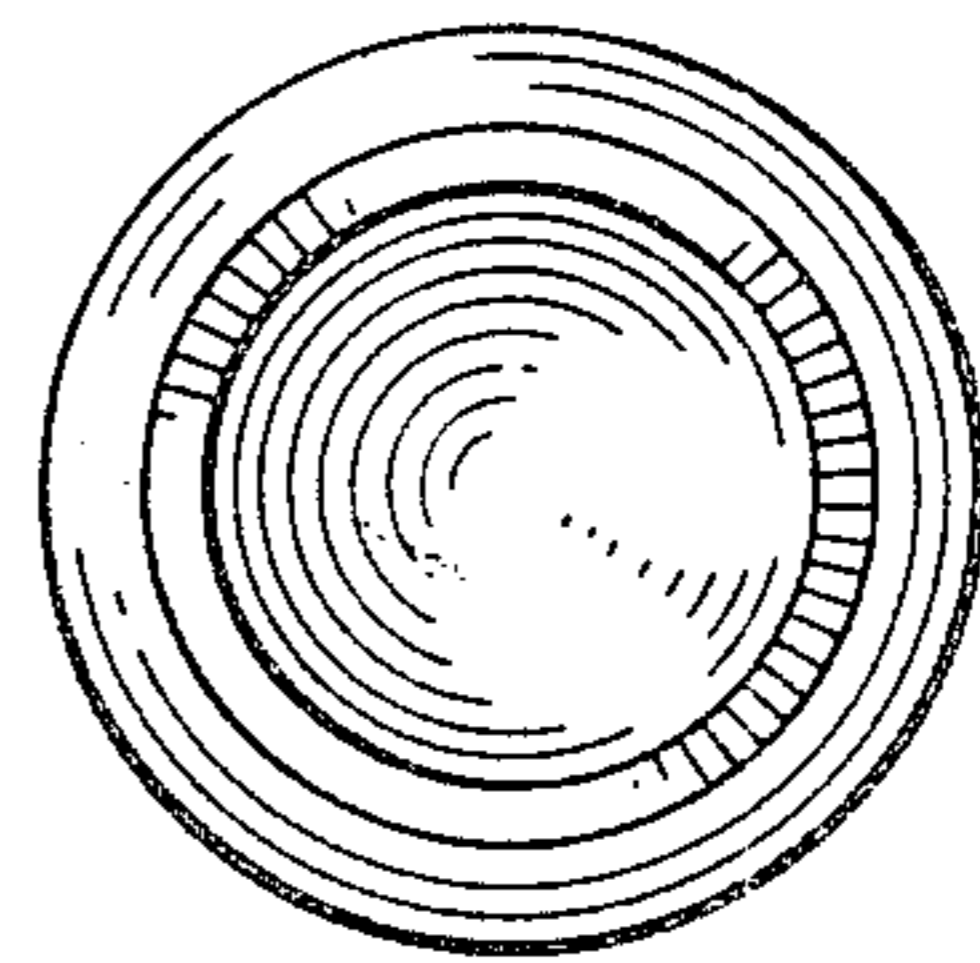


FIG. 3

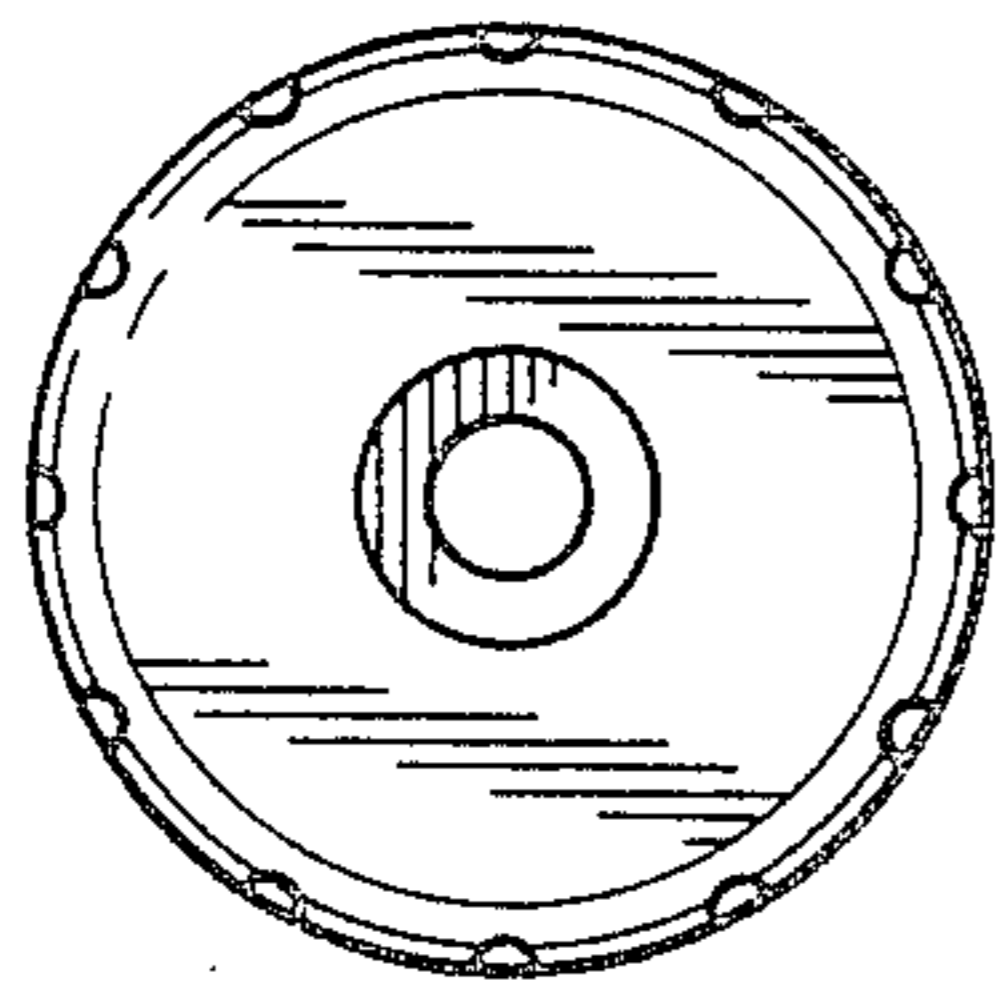


FIG. 4