

[54] FOOD PROCESSOR TOOL HOLDER

[76] Inventor: Hans K. Wallenwein, 98 Grandview Ave., Thornhill, Ontario, Canada, L3T 1H6

[**] Term: 14 Years

[21] Appl. No.: 436,563

[22] Filed: Jan. 11, 1983

[52] U.S. Cl. D7/74; D6/553

[58] Field of Search D6/512, 553, 570, 574; 211/60.1; 248/37.3, 37.6; D7/73, 74; 30/296 A

[56] References Cited

U.S. PATENT DOCUMENTS

- D. 184,123 12/1958 Eisner D7/73
- D. 187,749 4/1960 Hager D6/553
- D. 252,491 7/1979 Hoffman et al. D7/74
- D. 252,548 8/1979 Hoffman et al. D7/74
- D. 257,194 10/1980 von Roth, II D7/74

OTHER PUBLICATIONS

Country Gourmet, vol. 52, p. 66, top item #9959 "Cuisinart® Tool Rack".

Primary Examiner—Winifred E. Herrmann
Attorney, Agent, or Firm—Donald E. Hewson

[57] CLAIM

The ornamental design for a food processor tool holder, as shown and described.

DESCRIPTION

FIG. 1 is a top, front, and left side perspective view of a first embodiment of a food processor tool holder showing my new design;

FIG. 2 is a bottom, rear, and right side perspective view thereof;

FIG. 3 is a top plan view thereof;

FIG. 4 is a front elevational view thereof;

FIG. 5 is a right side elevational view thereof, the side opposite being a mirror image thereof;

FIG. 6 is a view similar to FIG. 1 but of a second embodiment of my food processor tool holder, the other views being similar to said first embodiment;

FIG. 7 is a view similar to FIG. 1 but of a third embodiment of my food processor tool holder, the other views being similar to said first embodiment;

FIG. 8 is a view similar to FIG. 1 but of a fourth embodiment of my food processor tool holder;

FIG. 9 is a bottom, rear and right side perspective view of FIG. 8;

FIG. 10 is a top plan view of FIG. 8;

FIG. 11 is a front elevational view of FIG. 8;

FIG. 12 is a right side elevational view of FIG. 8; and

FIG. 13 is a view similar to FIGS. 1 and 8 but of a fifth embodiment of my food processor tool holder, the other views being similar to said first and fourth embodiments.

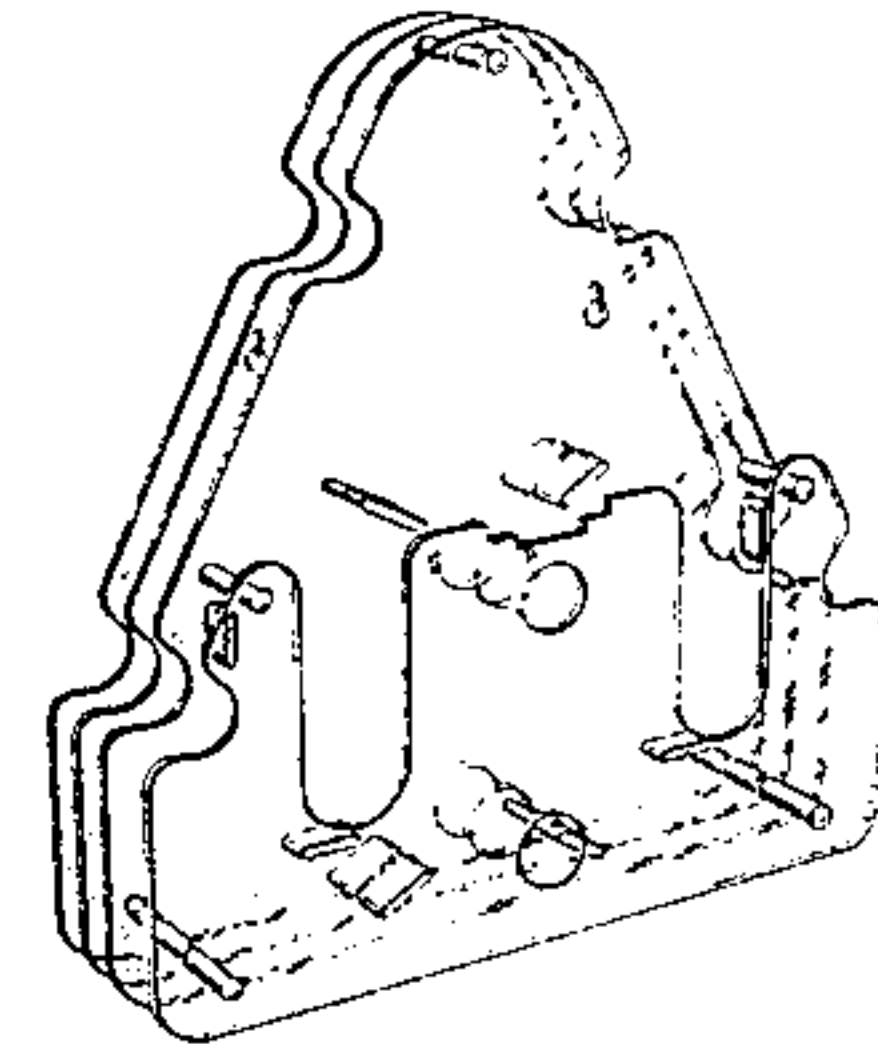
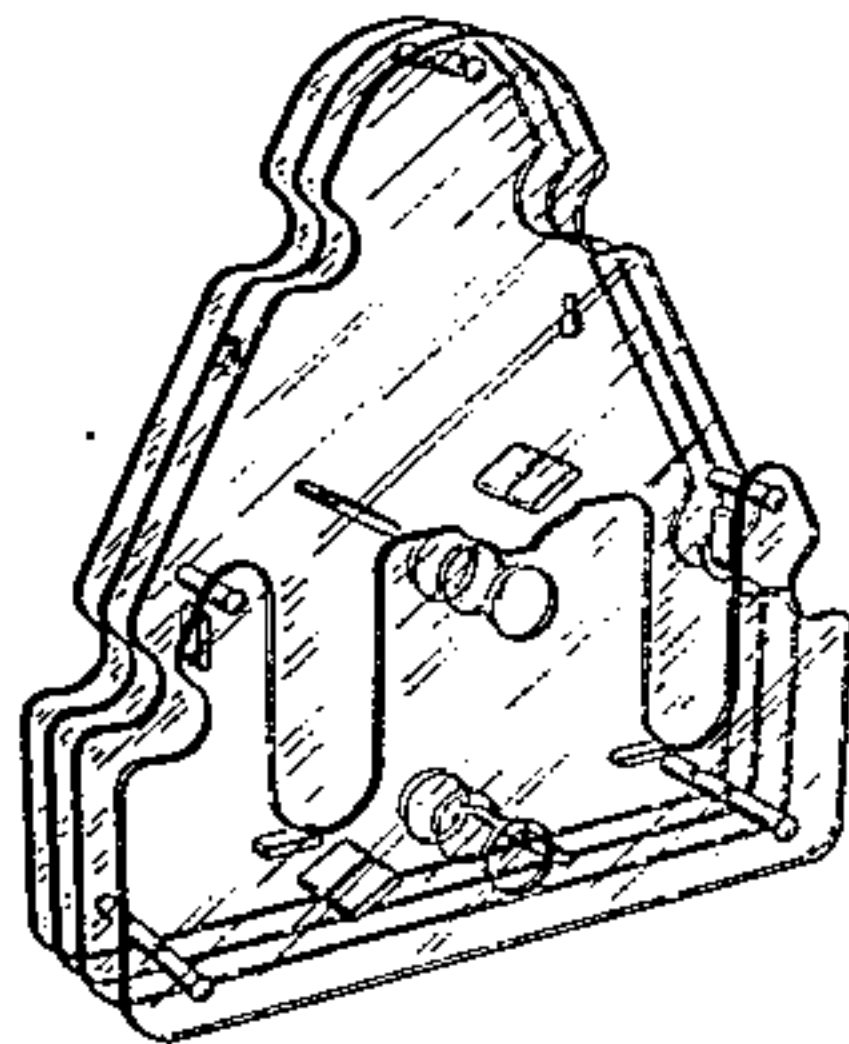
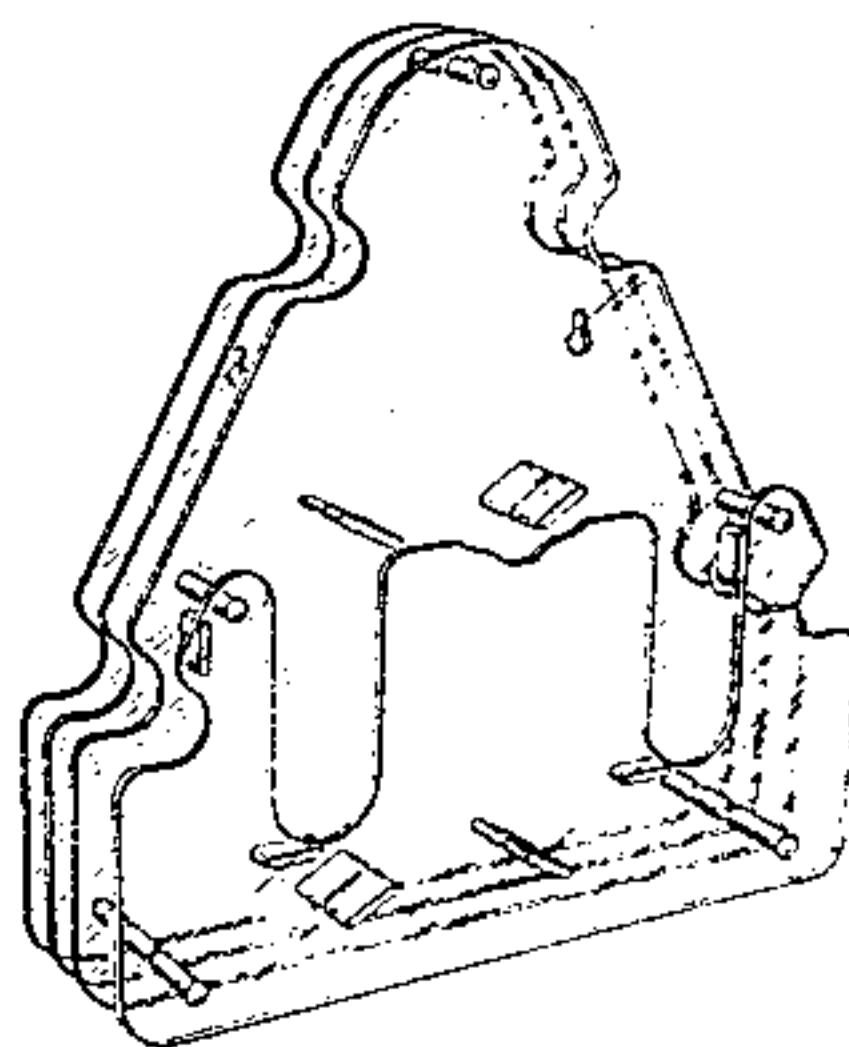
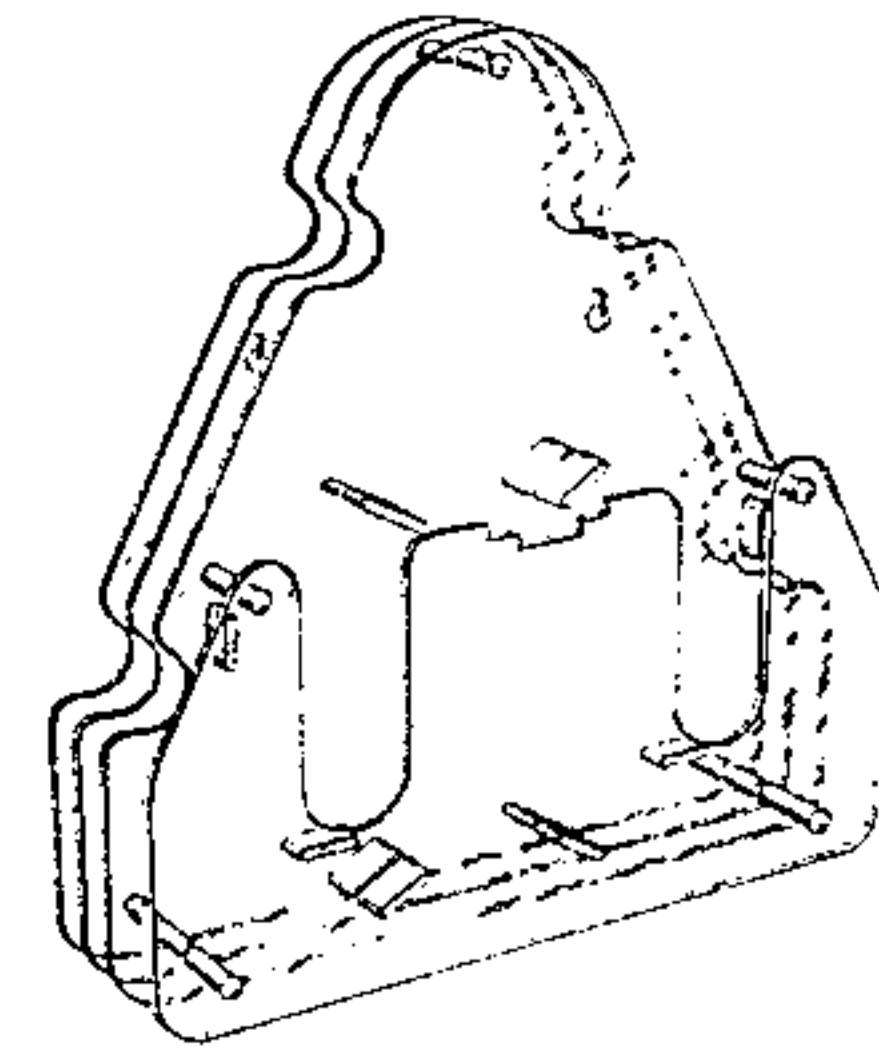
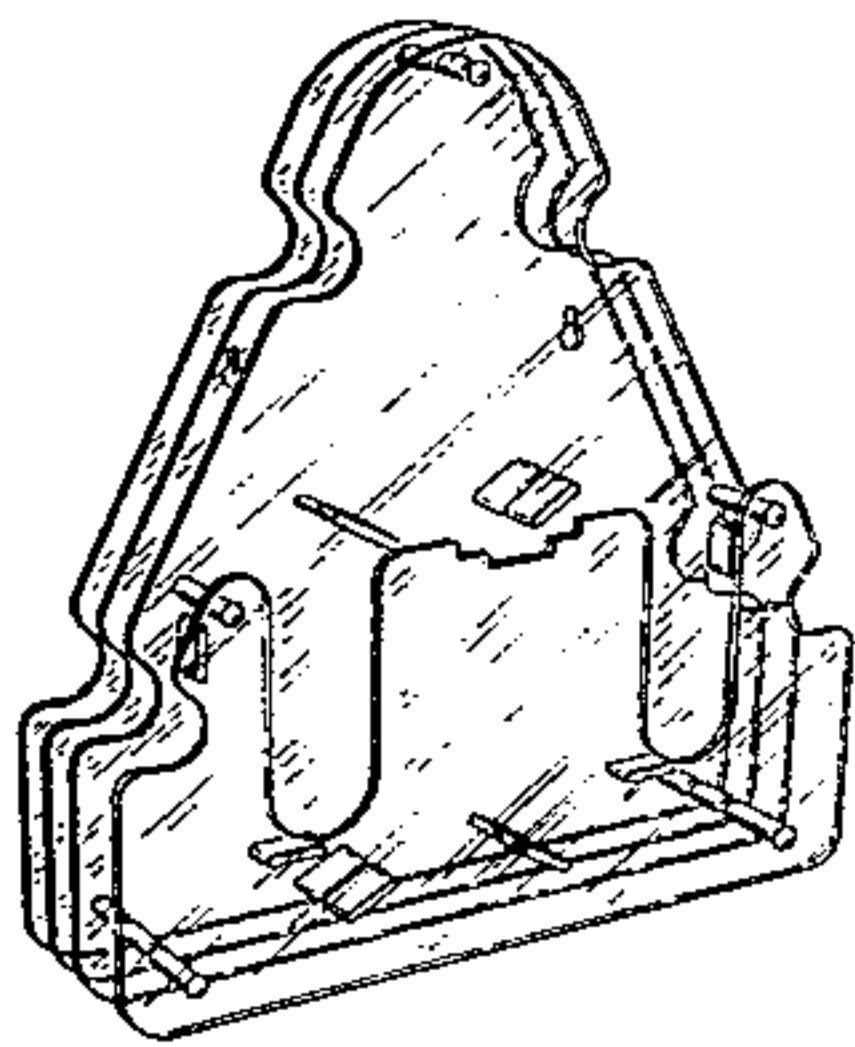


FIG. 1

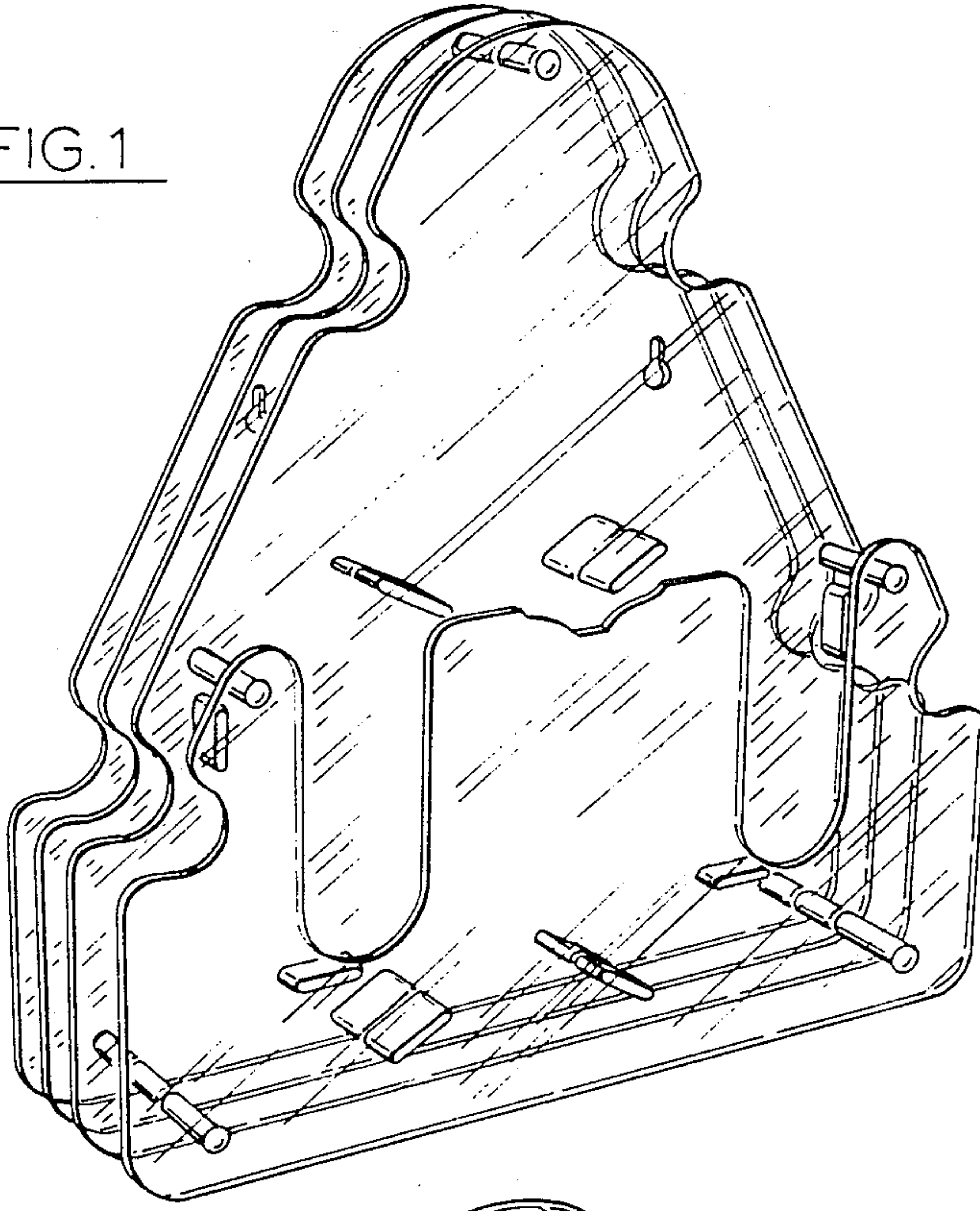


FIG. 2

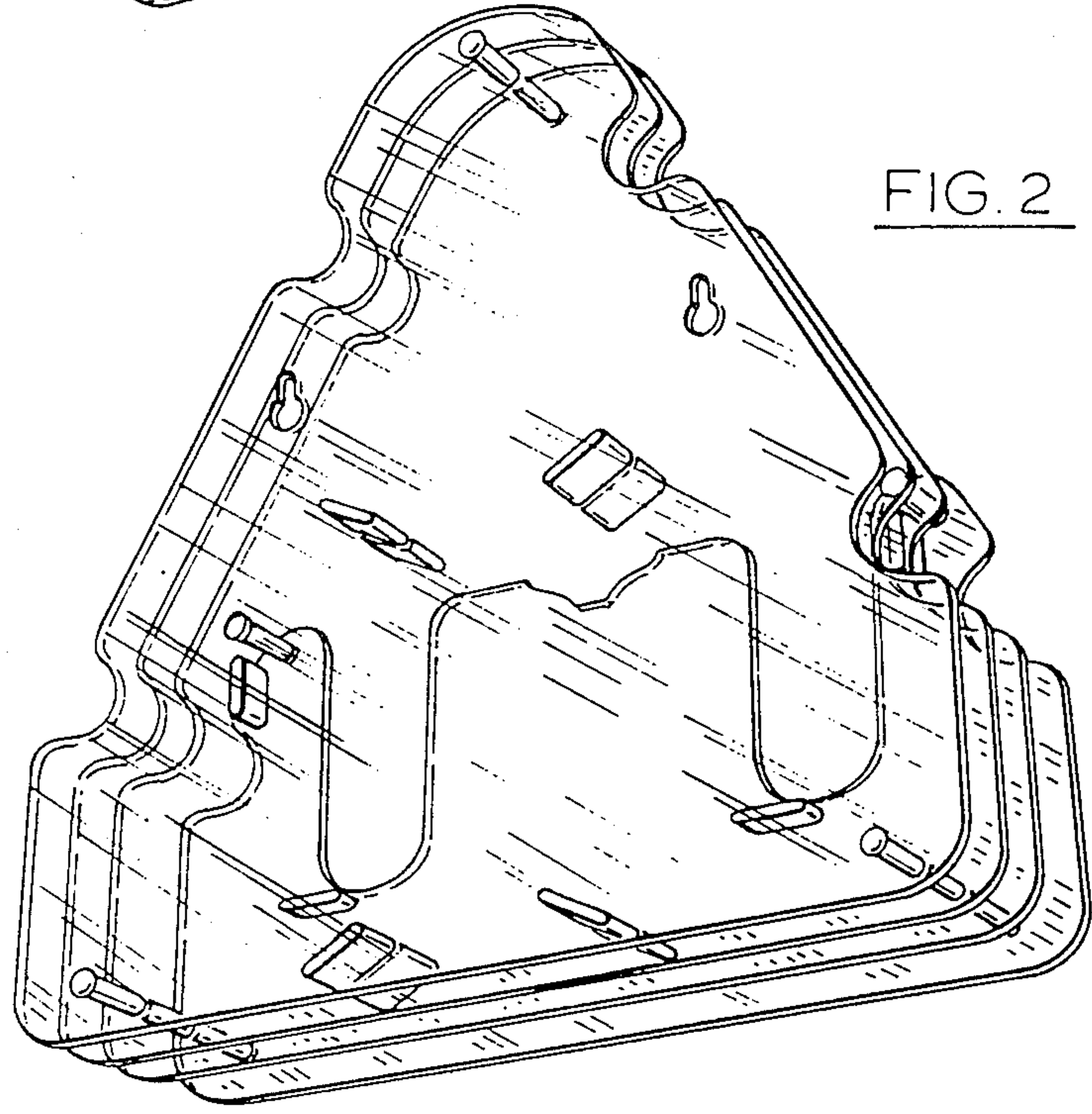


FIG. 3

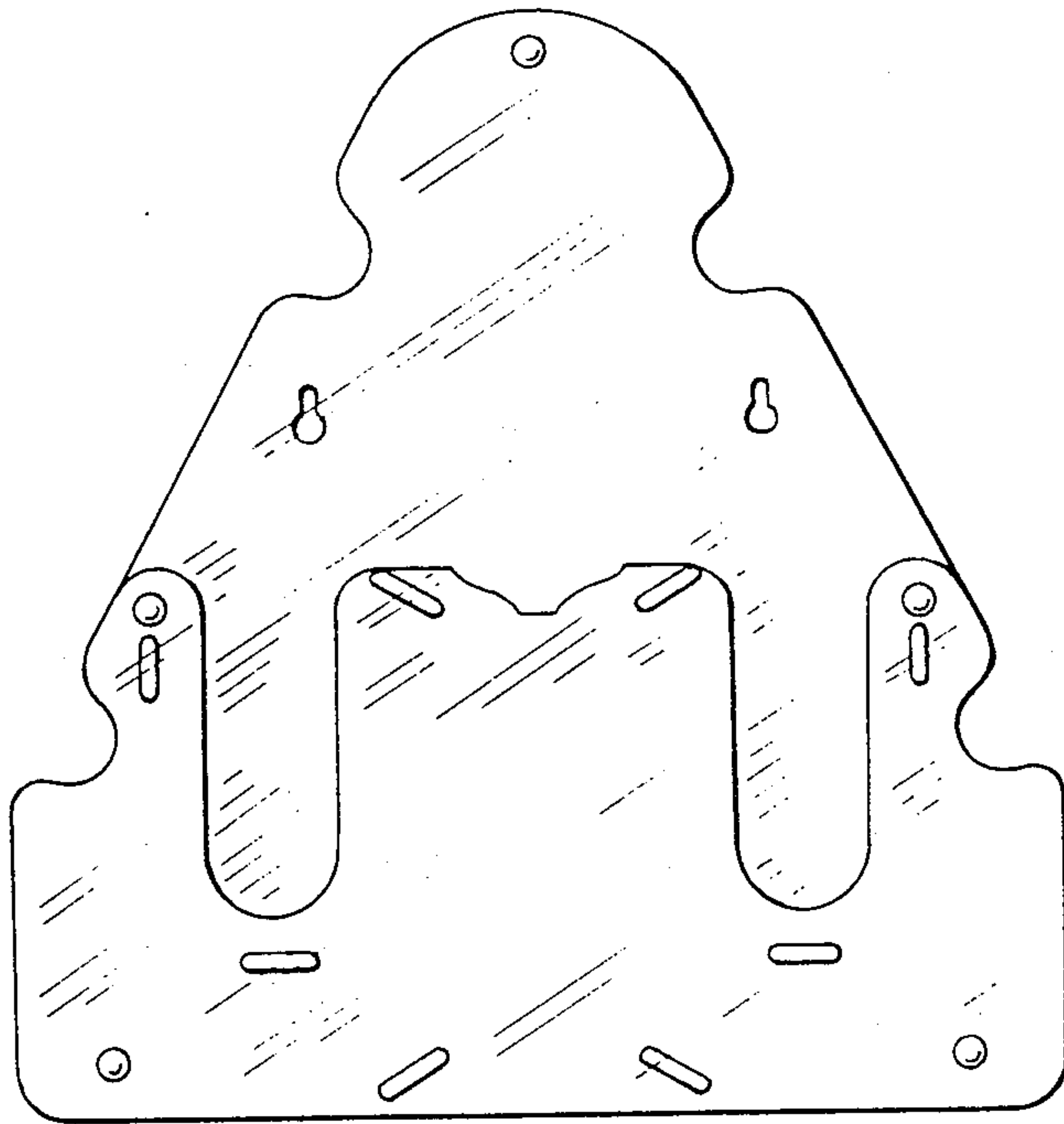
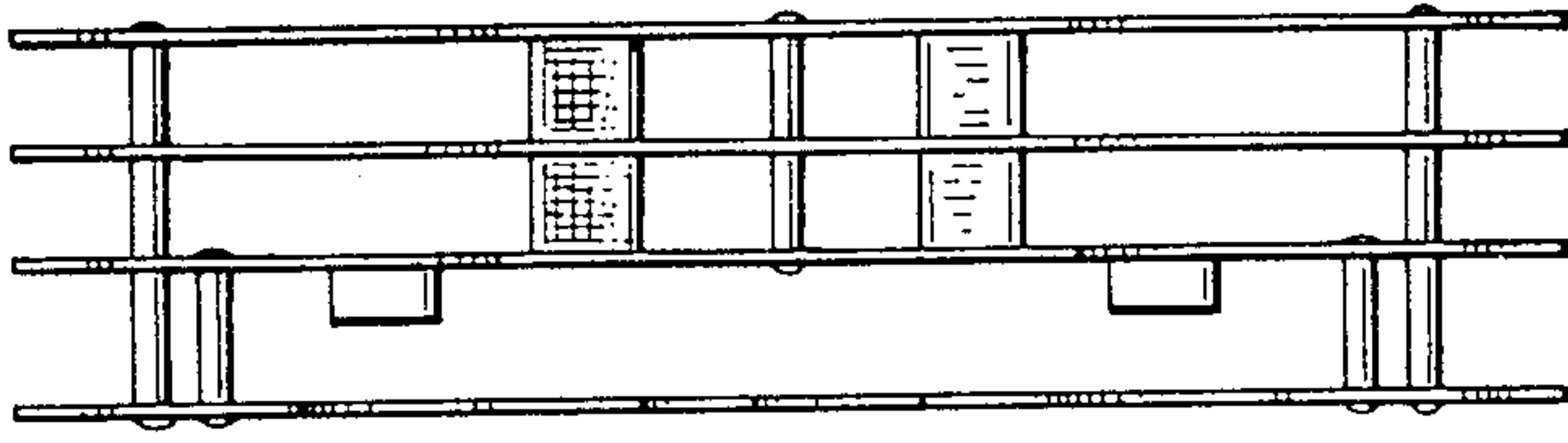


FIG. 4

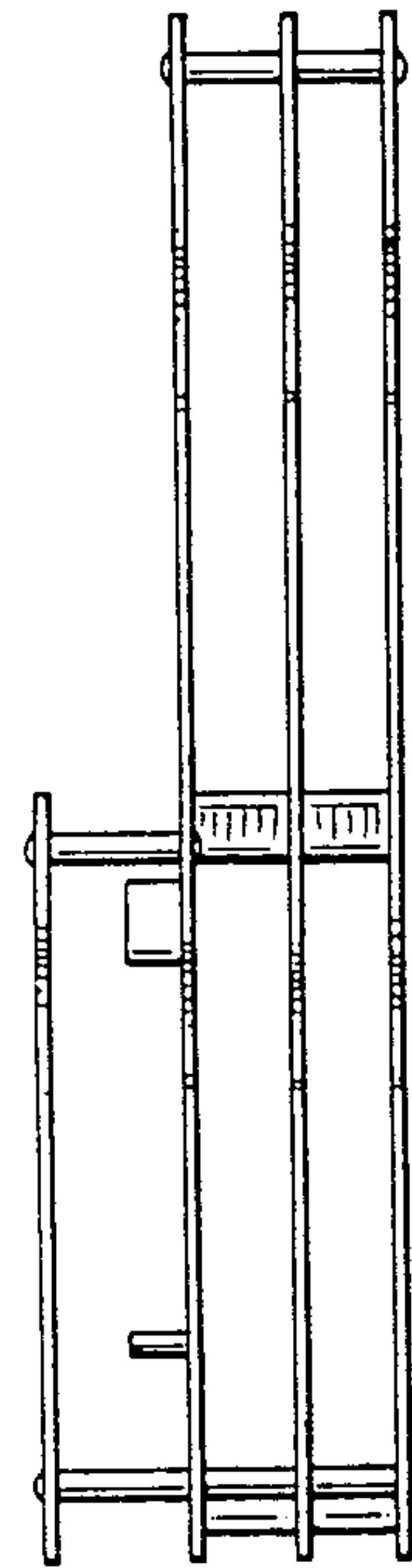


FIG. 5

FIG. 6

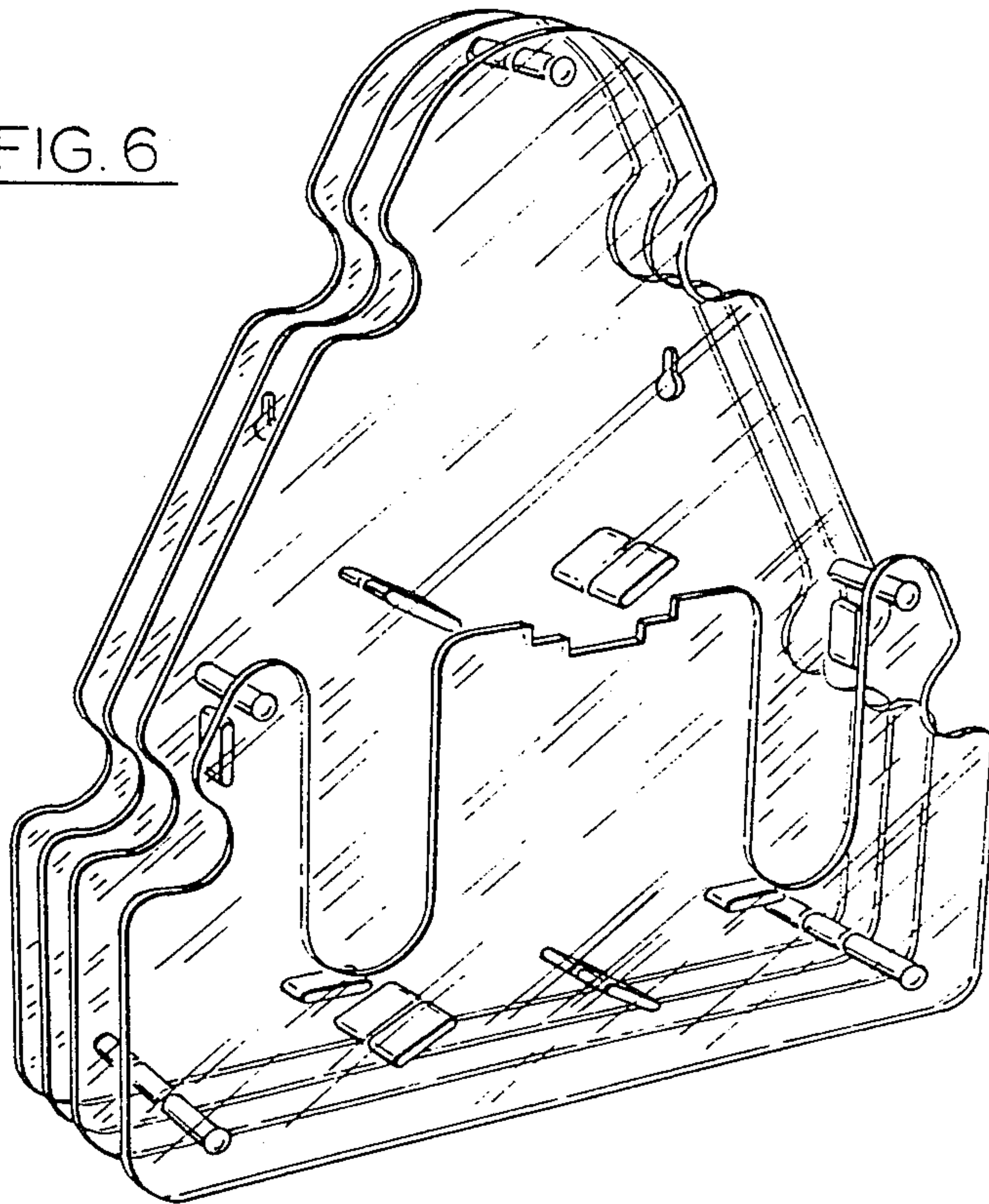


FIG. 7

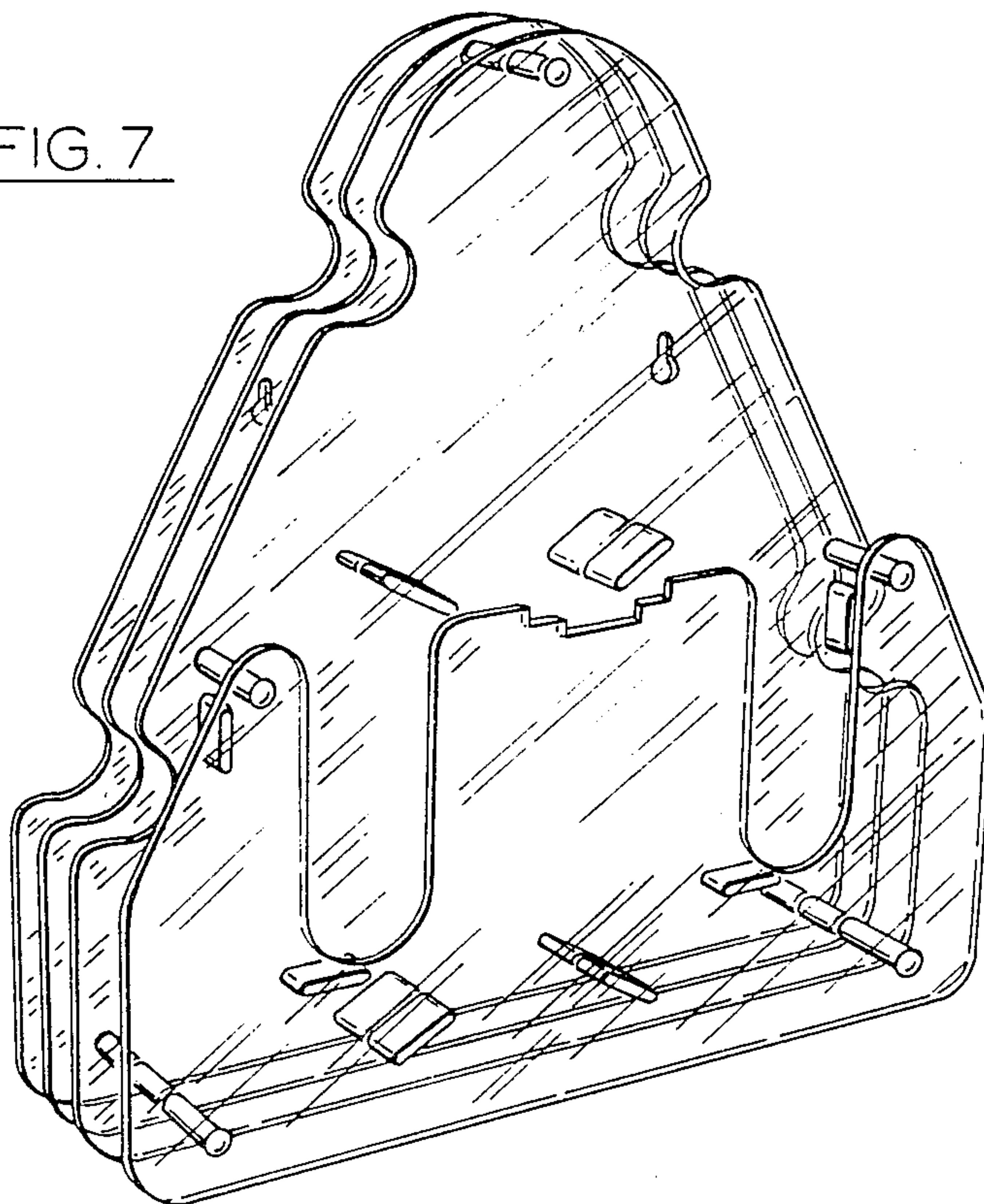


FIG. 8

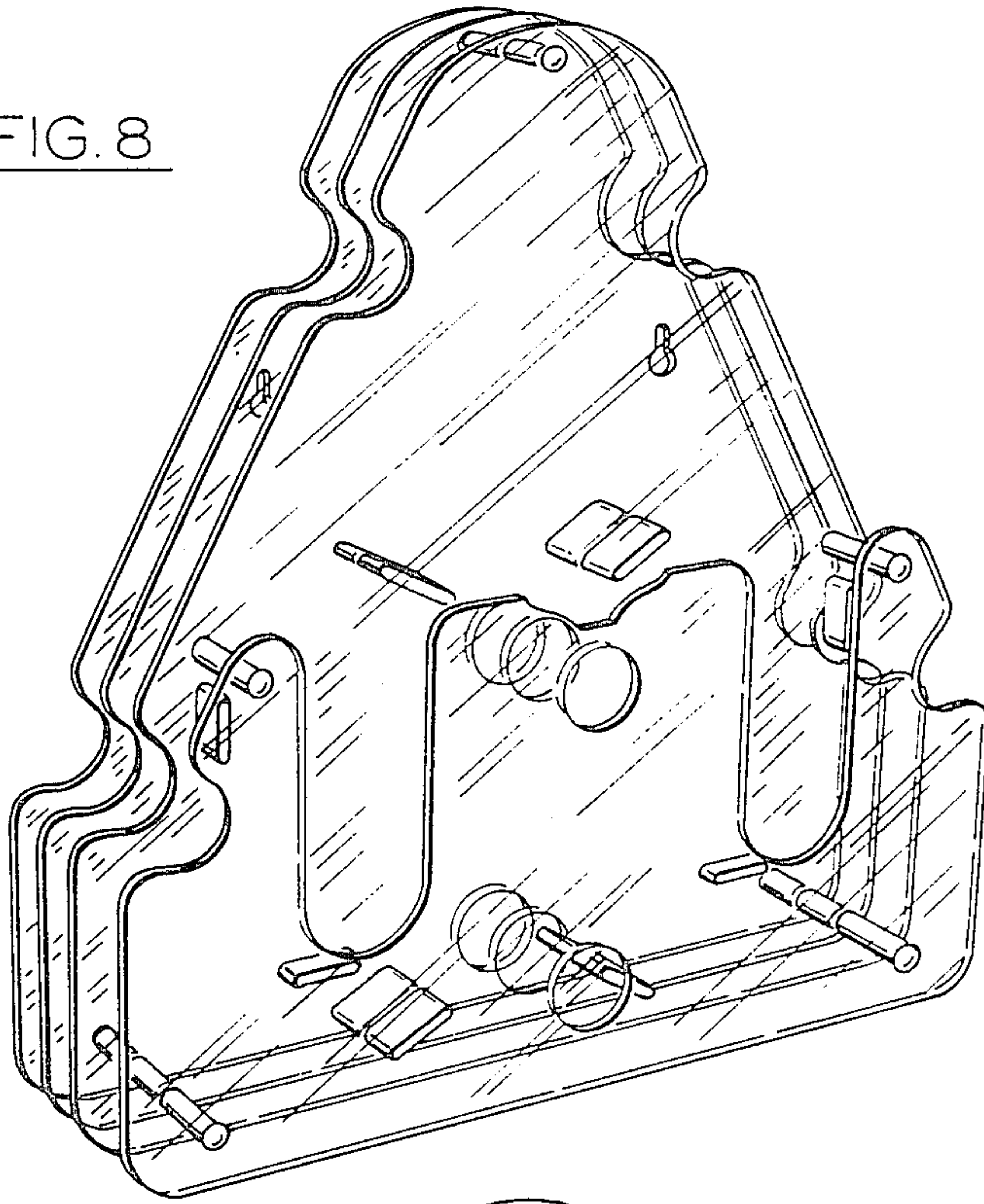


FIG. 9

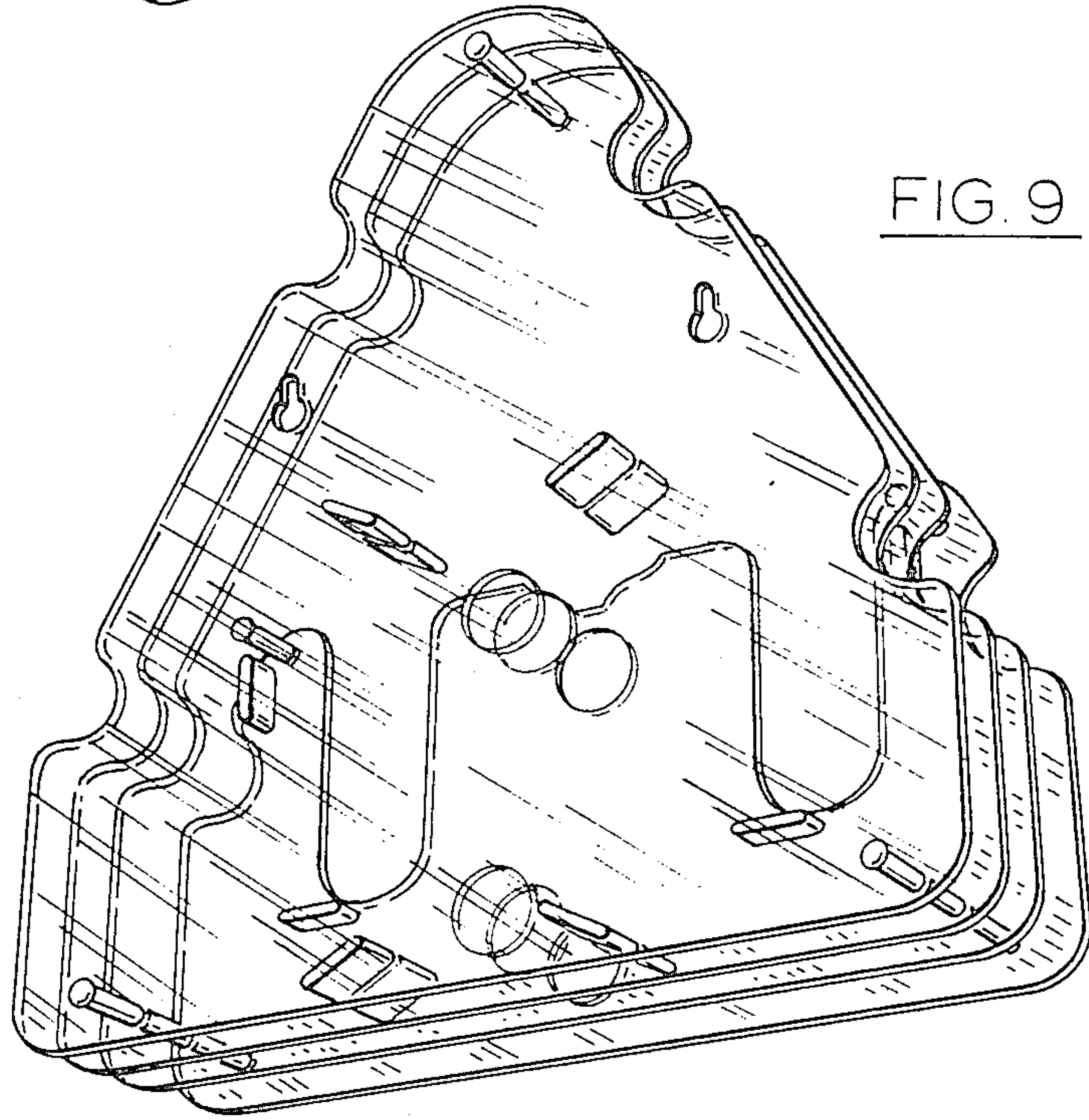


FIG. 10

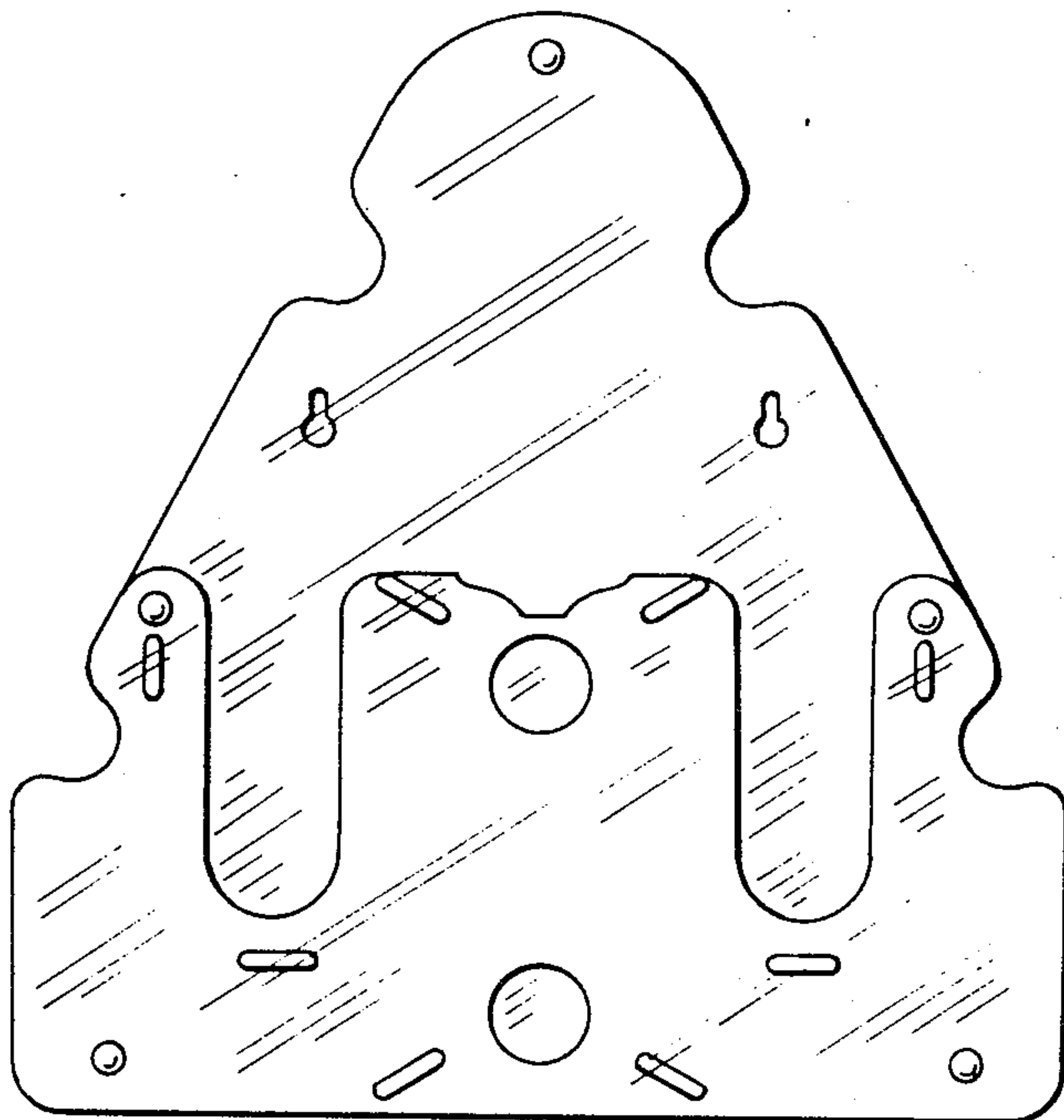
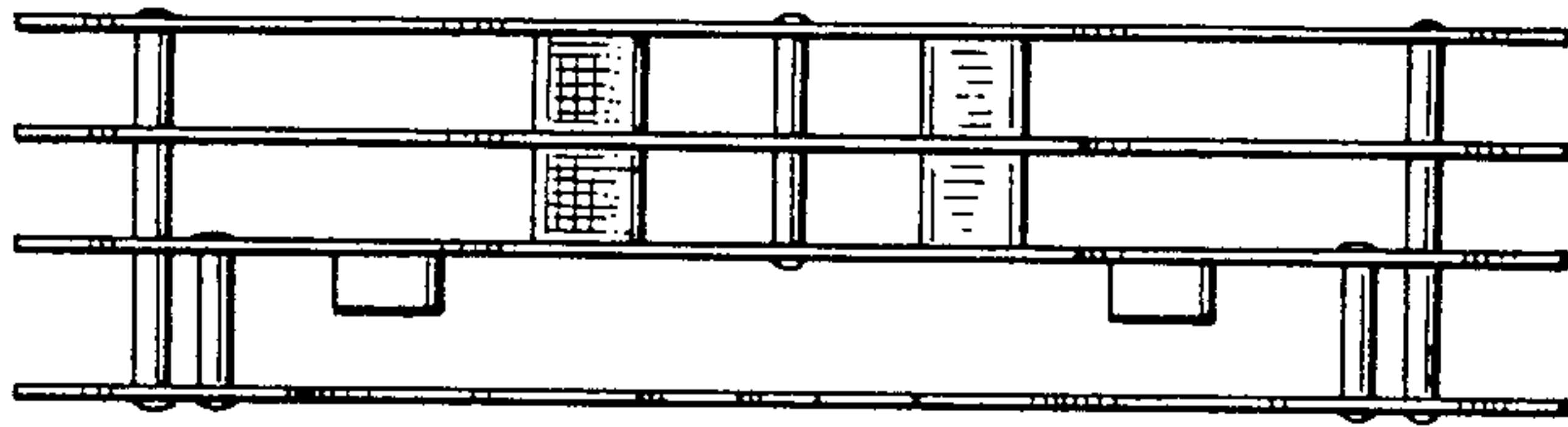


FIG. 11

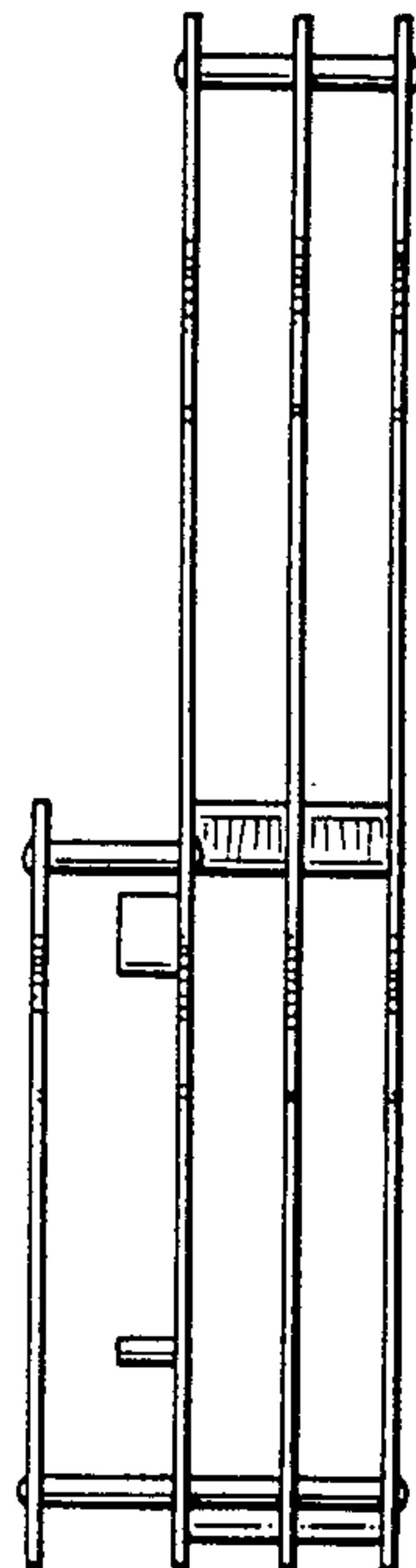


FIG. 12

FIG. 13

