

[54] DINNER PLATE

[76] Inventor: Walter Everhan, Weisshausstrasse 34-38, D-5000 Kohn 41, Fed. Rep. of Germany

[**] Term: 14 Years

[21] Appl. No.: 438,982

[22] Filed: Nov. 3, 1982 (Under 37 CFR 1.47)

[52] U.S. Cl. D7/30

[58] Field of Search D7/22-26, D7/28-36, 3

[56] References Cited

U.S. PATENT DOCUMENTS

D. 23,900	12/1894	Haviland	D7/30
D. 37,408	4/1905	Straus	D7/33
D. 71,352	11/1926	Ball	D7/29
D. 126,975	5/1941	Darrow	D7/23

OTHER PUBLICATIONS

Jackson Vitriified China Co. Cat. #11, pp. 46, 47, Item #386-Chinese Chop Suey Dish, center col.

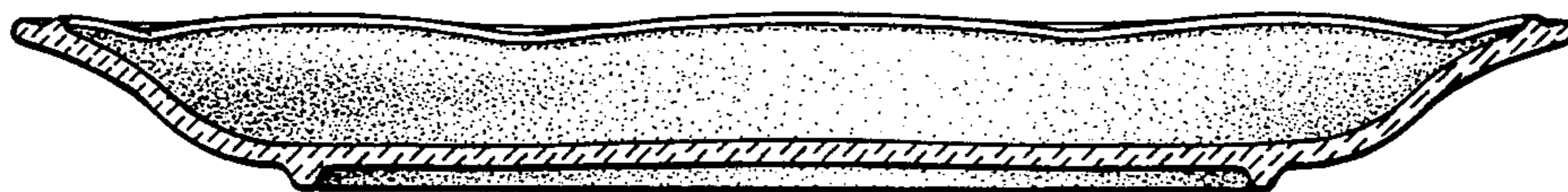
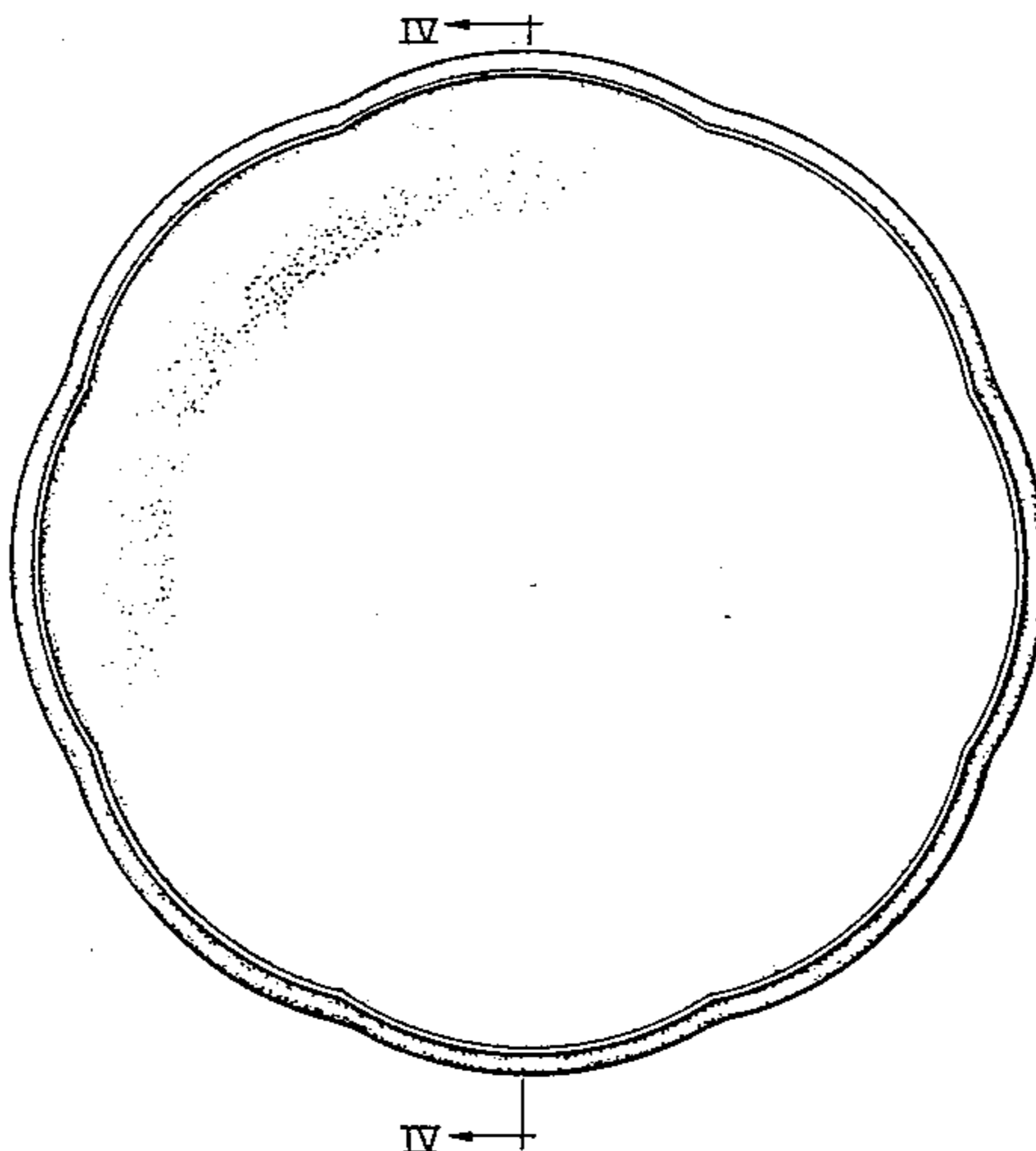
*Primary Examiner—Winifred E. Herrmann
Attorney, Agent, or Firm—George J. Brandt, Jr.*

[57] CLAIM

The ornamental design for a dinner plate, as shown, and described.

DESCRIPTION

FIG. 1 is a top plan view of a dinner plate showing my new design;
FIG. 2 is a side elevational view thereof, the opposite side and the adjacent end sides being substantially similar thereto;
FIG. 3 is a bottom plan view thereof; and
FIG. 4 is a sectional view as taken along the line IV—IV in FIG. 1.



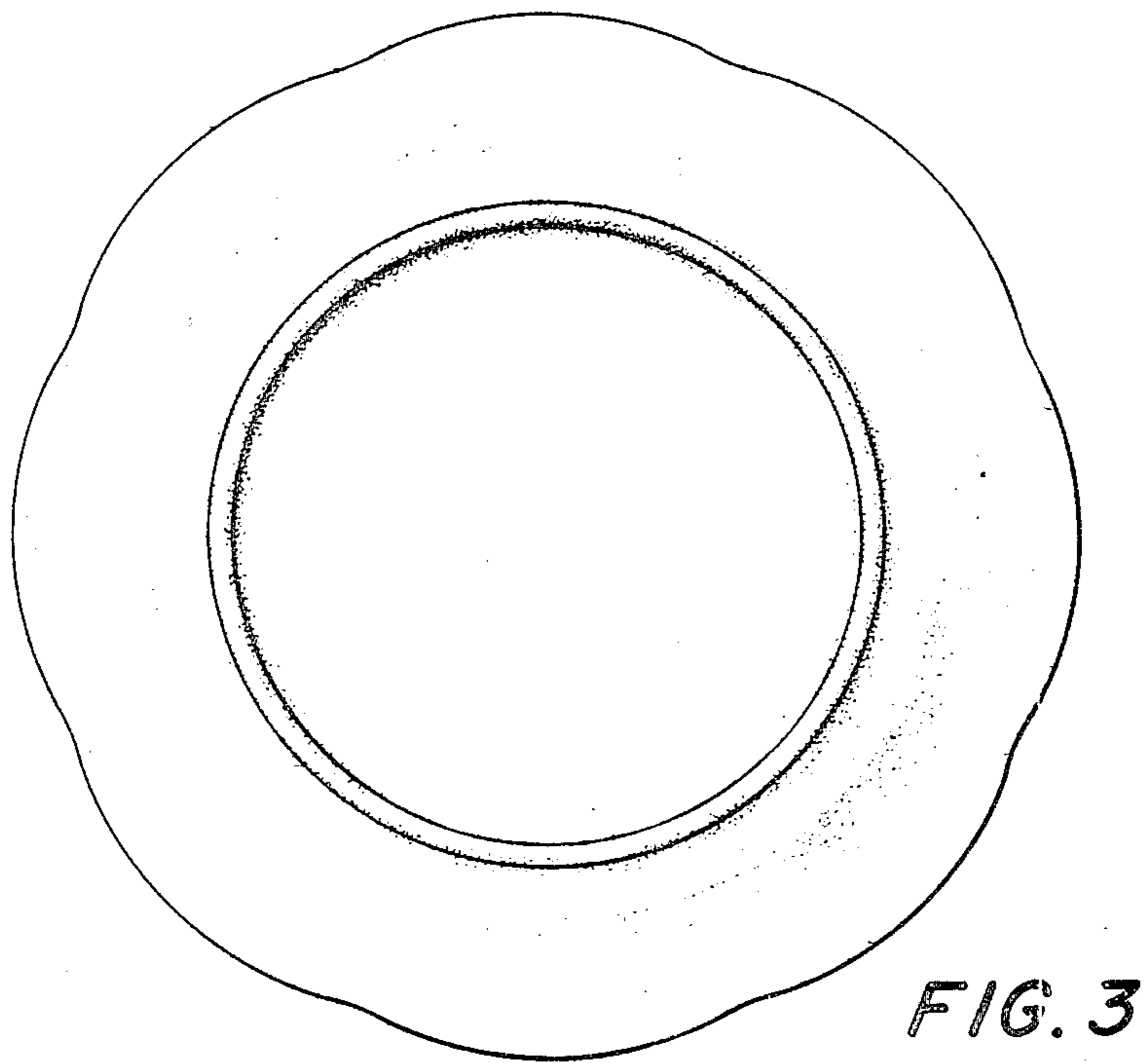
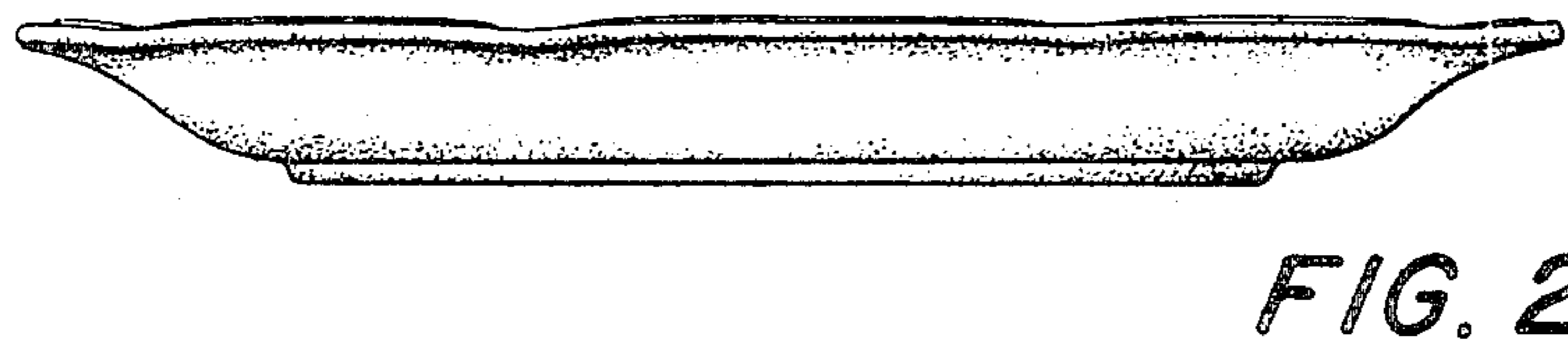
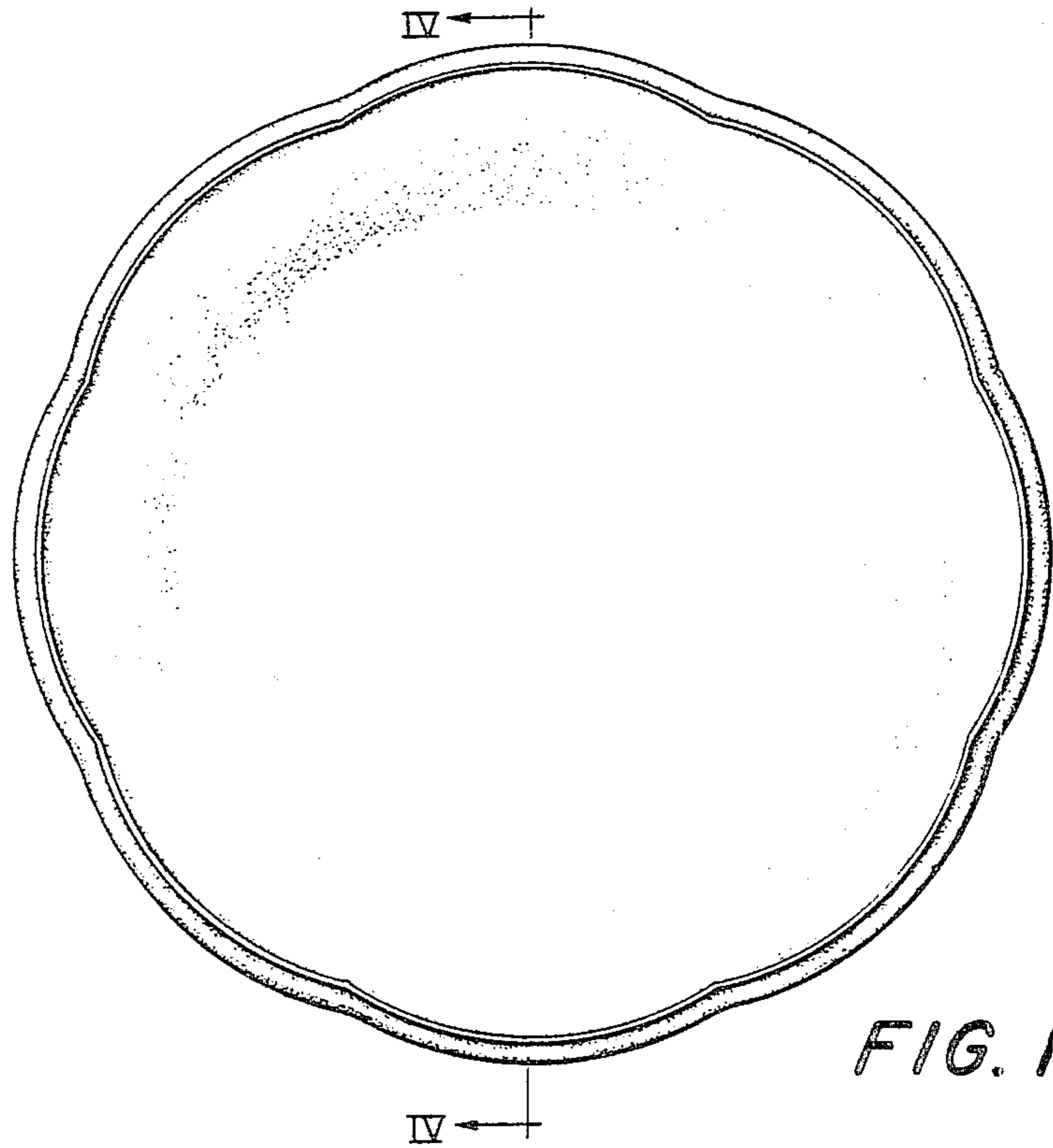




FIG. 4