

[54] COVER FOR A CHAIR BASE

[75] Inventor: Robert Harnick, N. Miami Beach, Fla.

[73] Assignee: Metal Stand Company, Philadelphia, Pa.

[**] Term: 14 Years

[21] Appl. No.: 453,409

[22] Filed: Dec. 27, 1982

[52] U.S. Cl. D6/610

[58] Field of Search D6/498, 610

[56] References Cited

U.S. PATENT DOCUMENTS

D. 204,189	3/1966	Dillen	D6/498
D. 243,304	2/1977	Fuqua	D6/610
D. 273,925	5/1984	Caruso	D6/498

OTHER PUBLICATIONS

Northfield Metal Products Brochure.
EST Brochure.

Primary Examiner—Bruce W. Dunkins
Attorney, Agent, or Firm—Seidel, Gonda &
Goldhammer

[57] CLAIM

The ornamental design for a cover for a chair base, substantially as shown and described.

DESCRIPTION

FIG. 1 is a top perspective view of a cover for a chair base showing my new design;
FIG. 2 is a bottom perspective view thereof;
FIG. 3 is a top plan view thereof;
FIG. 4 is a bottom plan view thereof;
FIG. 5 is a side view thereof;
FIG. 6 is another side view thereof.

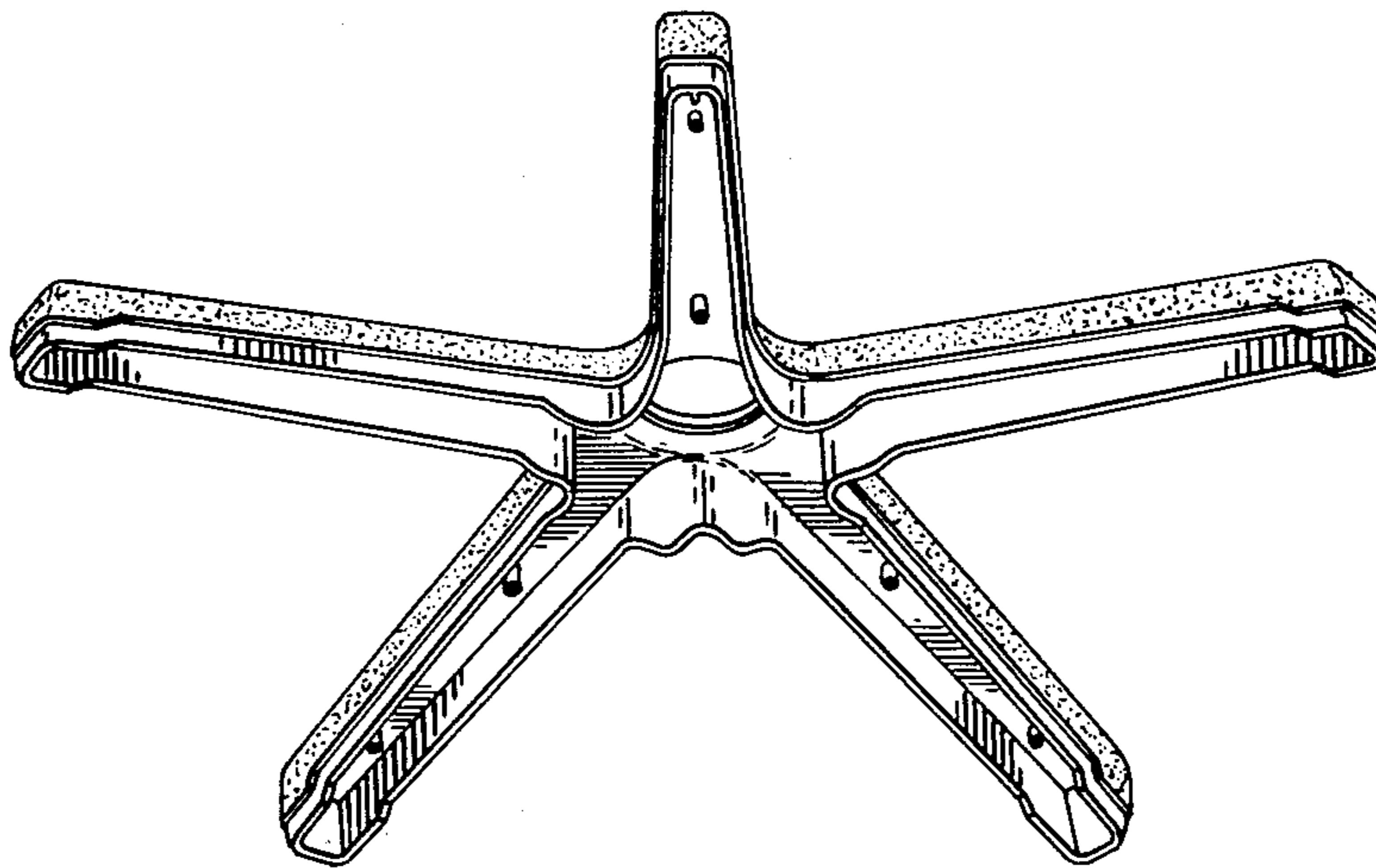


FIG. 1

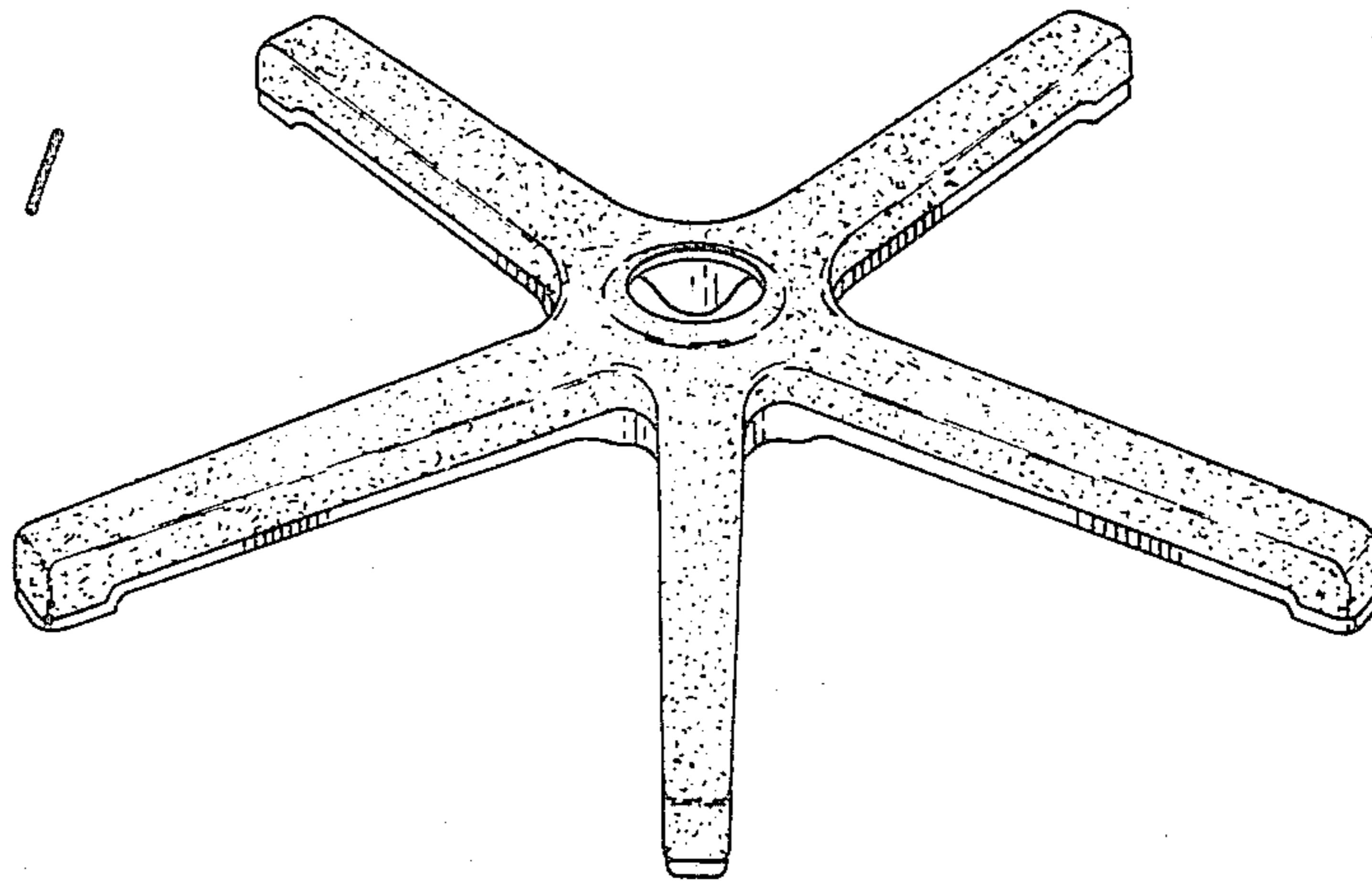


FIG. 2

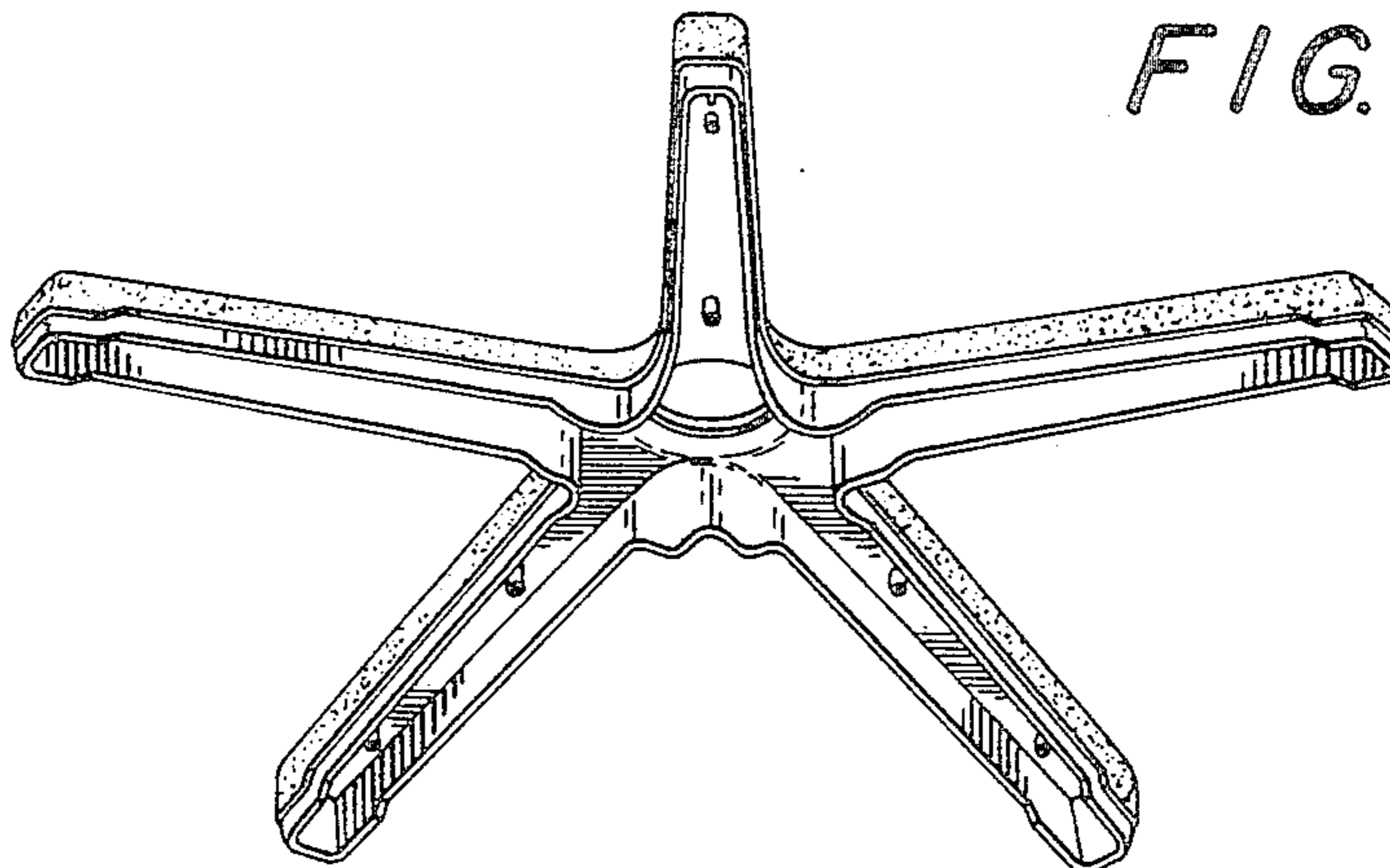


FIG. 6

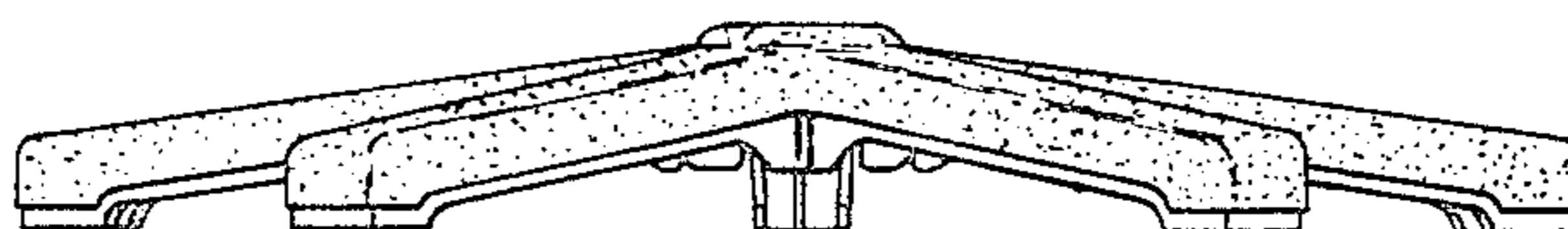


FIG. 3

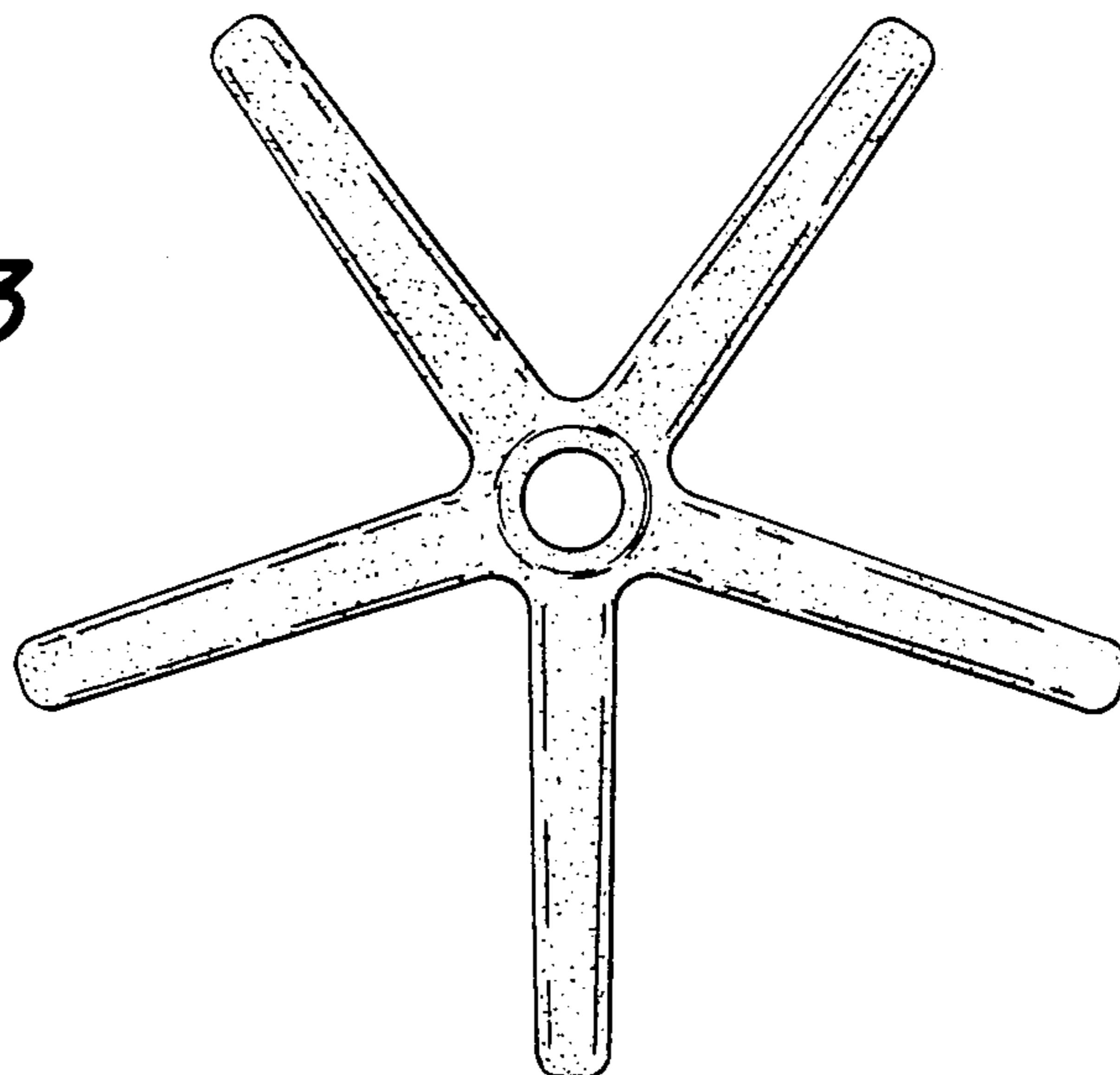


FIG. 4

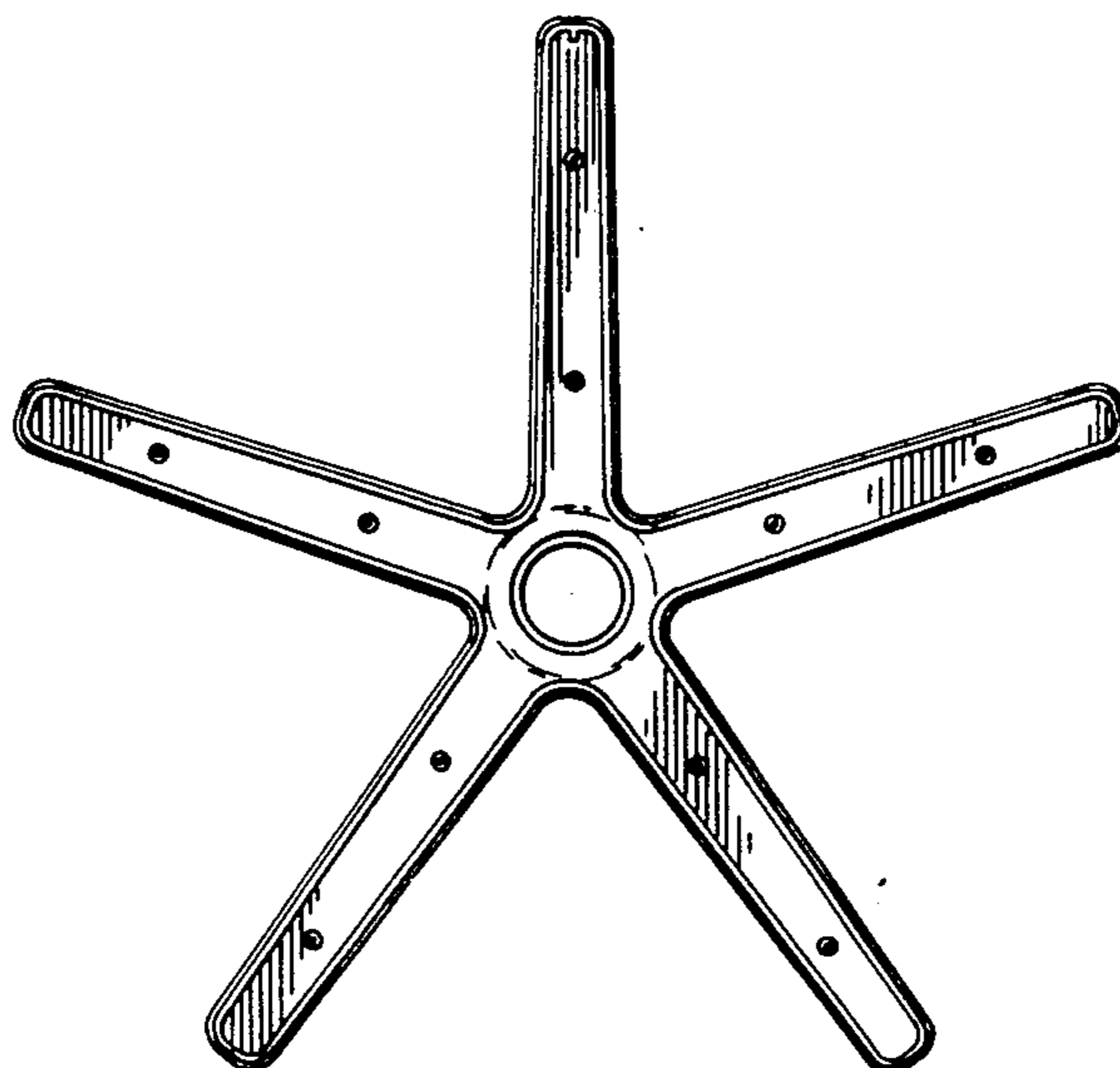


FIG. 5

