

[54] CONTAINER FOR TOOTHPASTE AND TOOTHBRUSHES

3,884,635 5/1975 Sloan 312/206
4,214,657 7/1980 Winston D6/528

[76] Inventor: James Altadonna, 90 E. 2nd St., Deer Park, N.Y. 11729

Primary Examiner—B. J. Bullock
Assistant Examiner—Suzanne N. Gitlin

[**] Term: 14 Years

[57] CLAIM

[21] Appl. No.: 400,642

The ornamental design for a container for toothpaste and toothbrushes, as shown.

[22] Filed: Nov. 5, 1982

[52] U.S. Cl. D6/528; D6/445; D6/470; D6/534; D6/541; D6/561

[58] Field of Search D6/467, 470, 475-476, D6/526-528, 530, 534, 541, 552, 554, 561, 559; 312/198, 199, 206, 207, 209, 242, 245

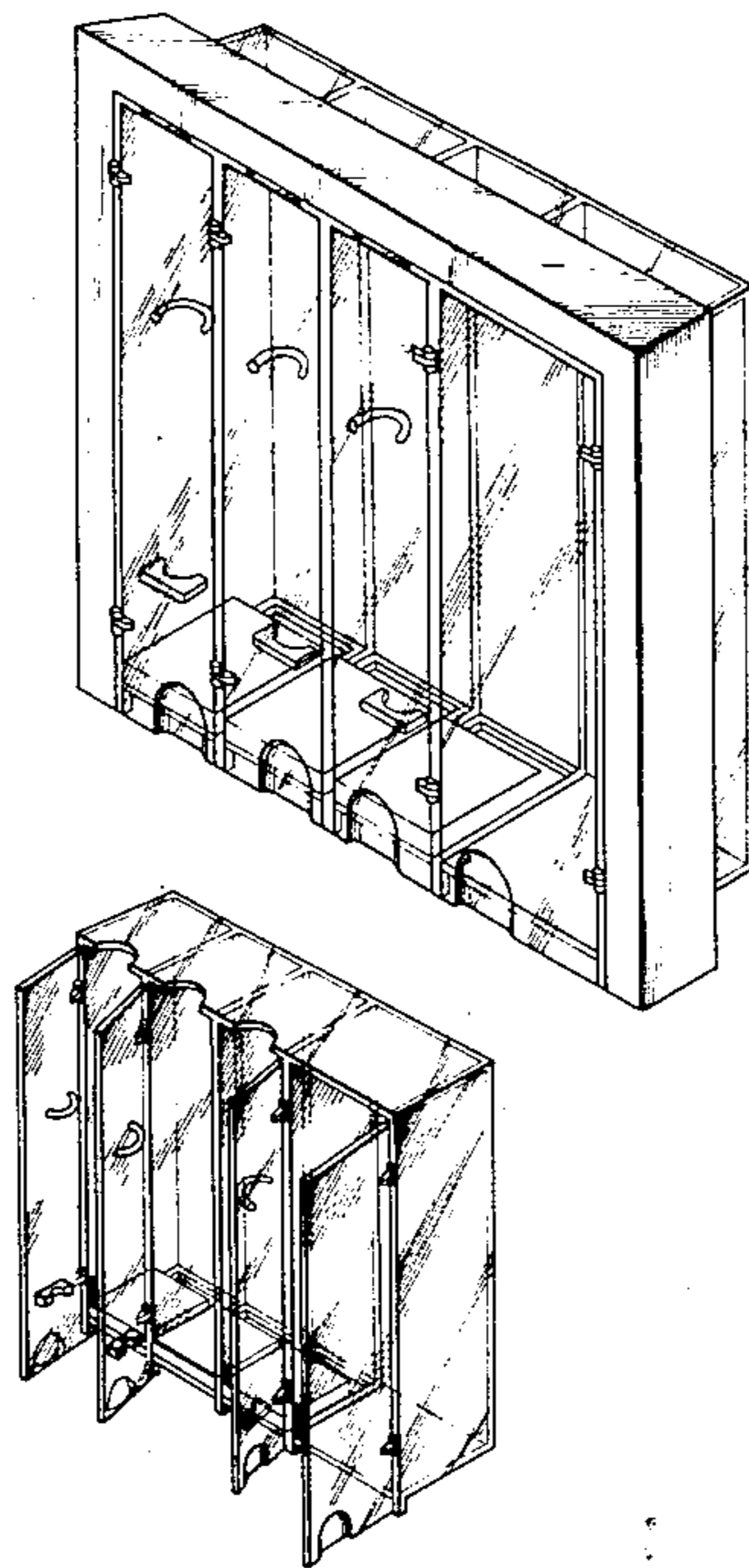
DESCRIPTION

[56] References Cited

U.S. PATENT DOCUMENTS

D. 157,947 4/1950 Egerman D6/534
D. 216,316 12/1969 Antaramian D6/529
2,564,353 8/1951 Coleman 312/206

FIG. 1 is a perspective view of a container for toothpaste and toothbrushes showing my new design;
FIG. 2 is a reduced perspective view of a second embodiment; the only difference being the absence of the outer frame;
FIG. 3 is a top plan view thereof;
FIG. 4 is a side elevational view taken from the right of FIG. 1;
FIG. 5 is a side elevational view taken from the left of FIG. 1.



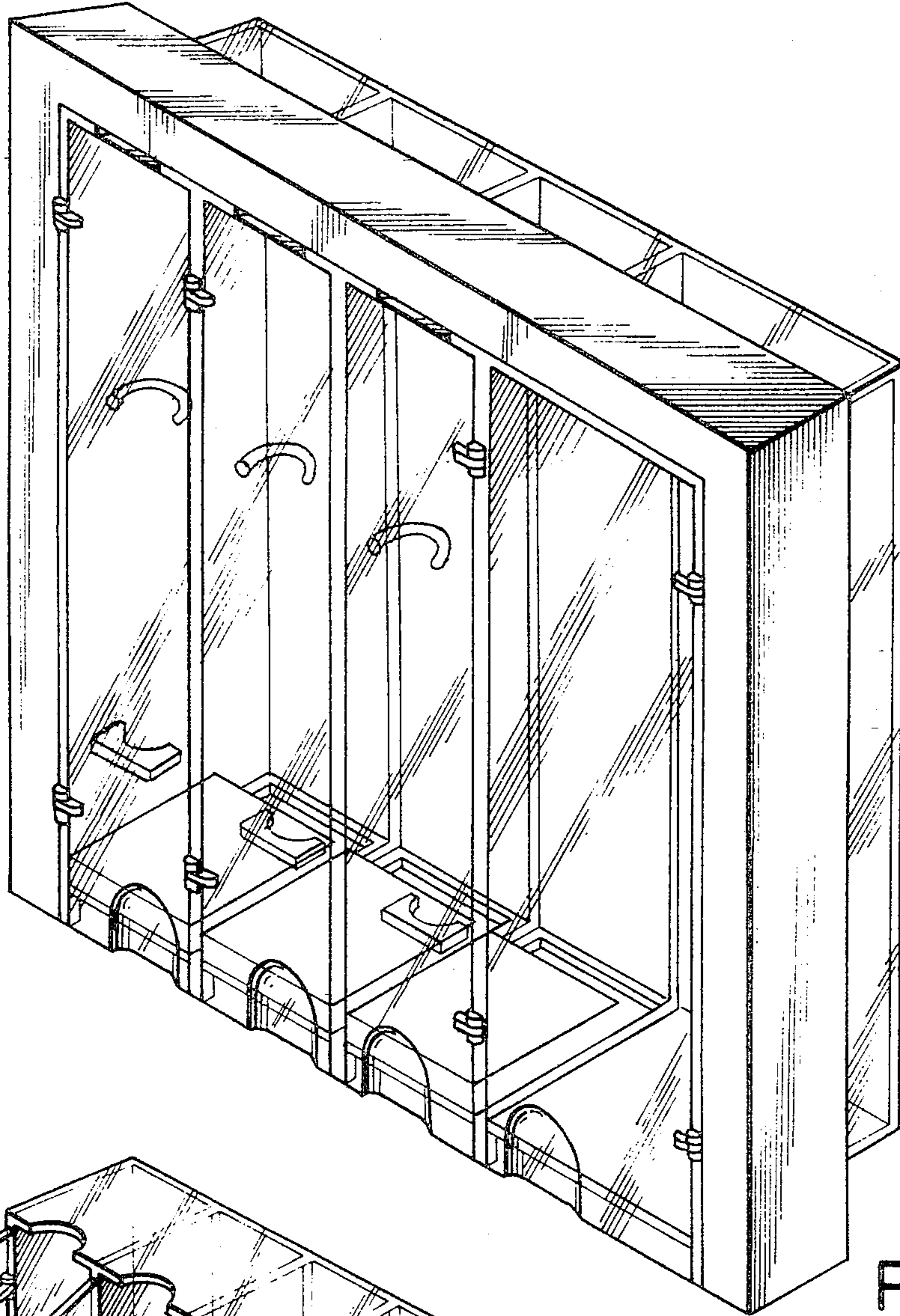


FIG. 1

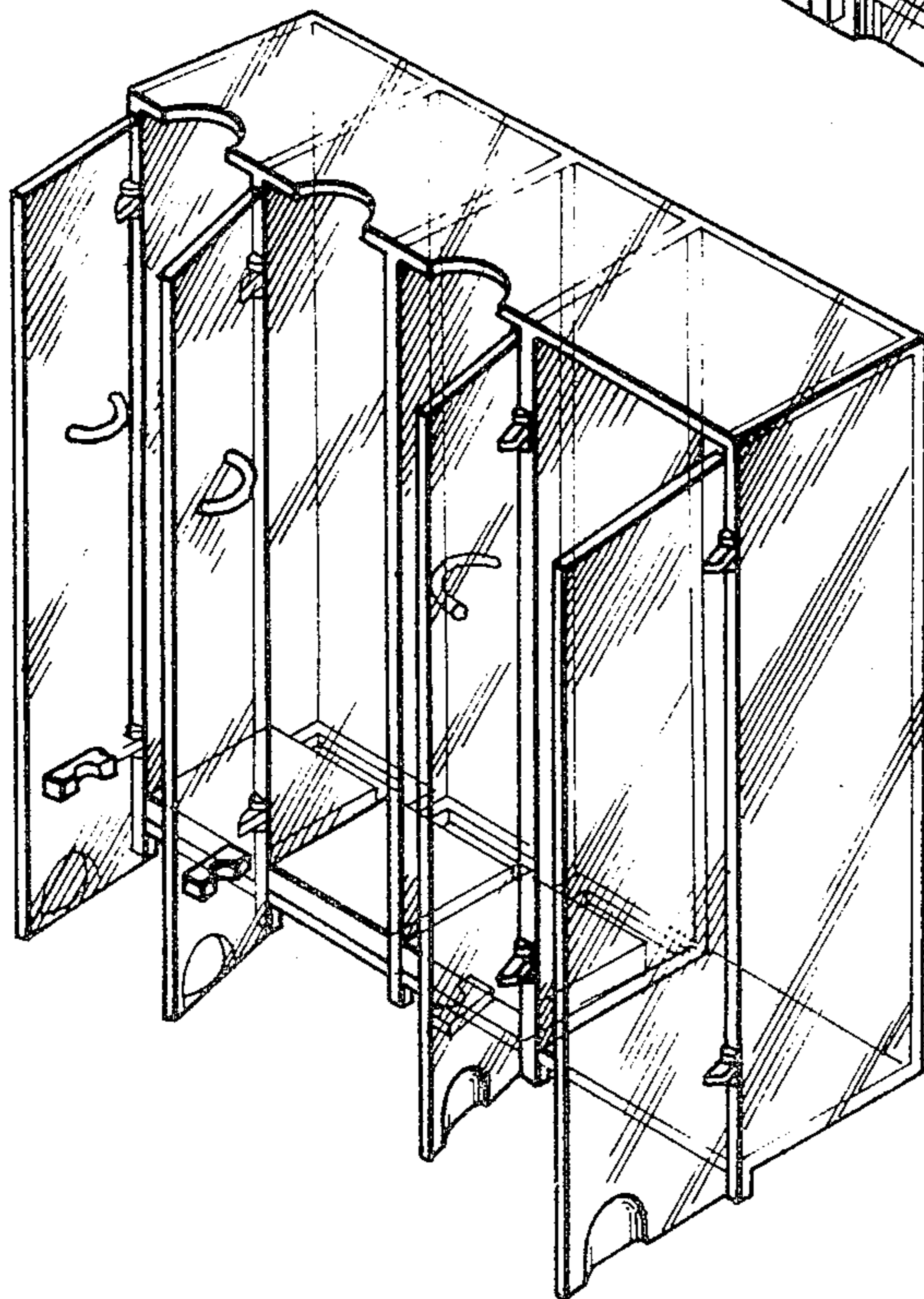


FIG. 2

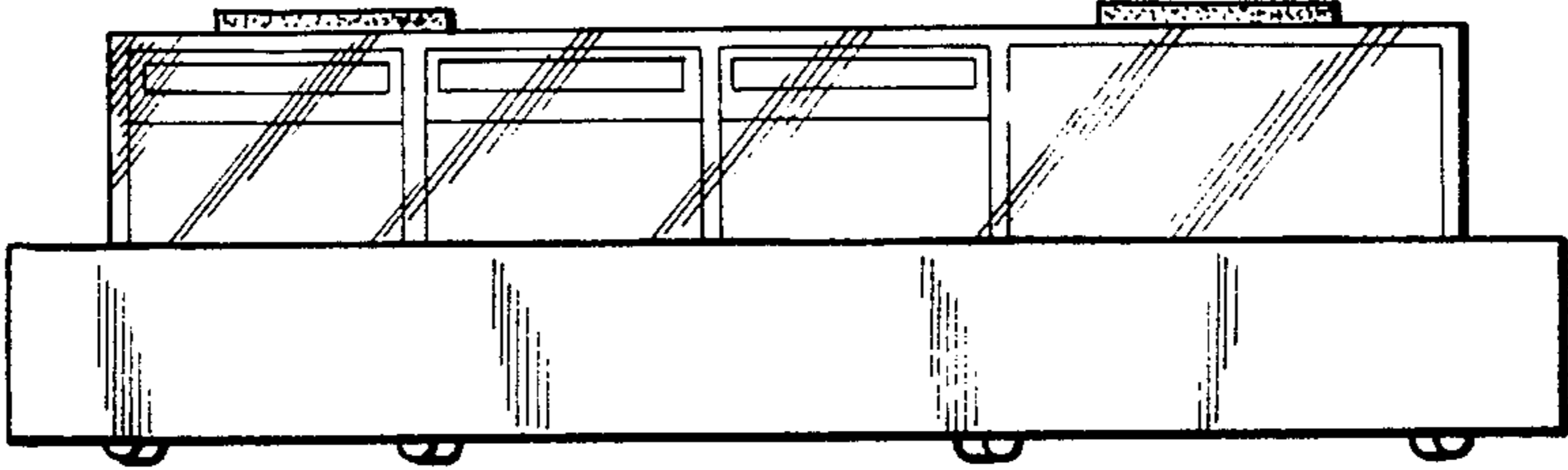


FIG. 3

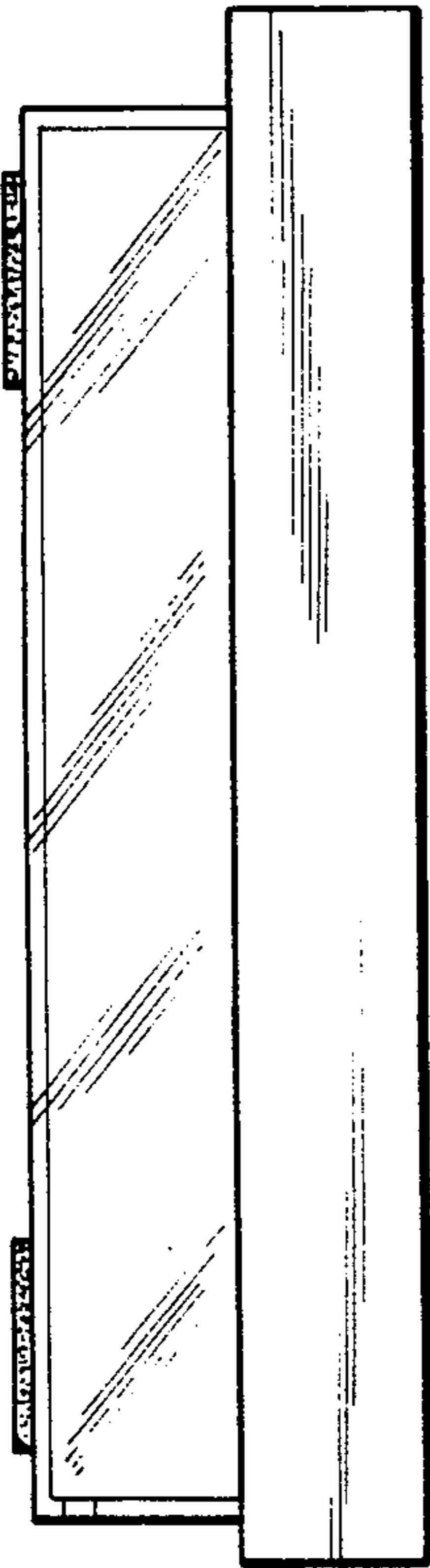


FIG. 4

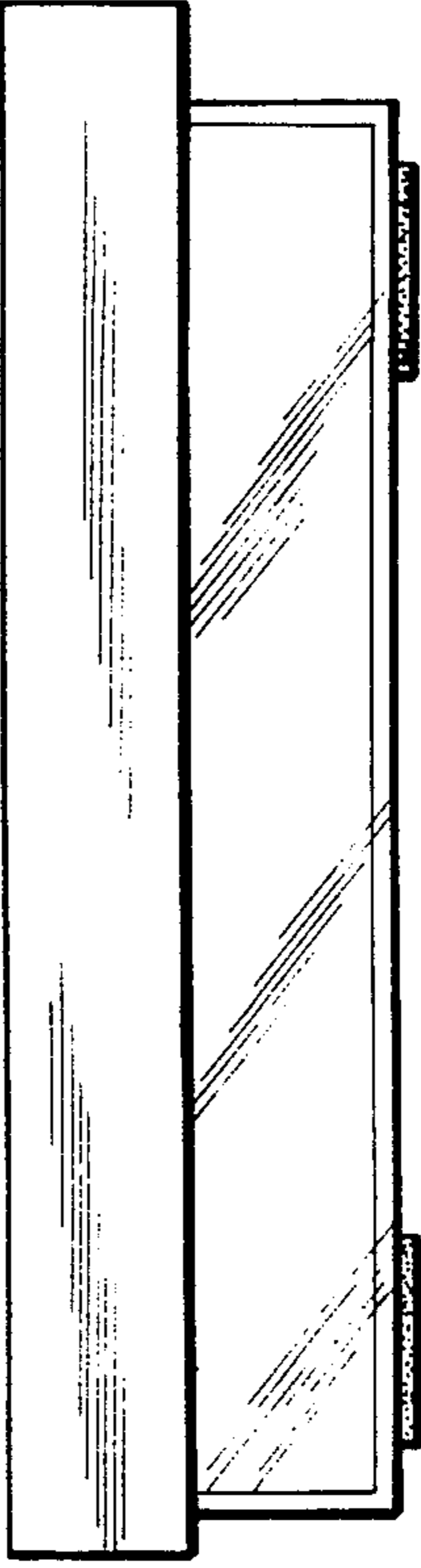


FIG. 5