

[54] TOWEL RACK

[76] Inventor: Jerry A. Brown, 3546 Newhouse Pl., Greenwood, Ind. 46142

[\*\*] Term: 14 Years

[21] Appl. No.: 498,107

[22] Filed: May 25, 1983

[52] U.S. Cl. .... D6/410; D6/449; D6/486

[58] Field of Search ..... D6/410, 411, 486, 449, D6/512, 546, 548, 549

[56] References Cited

U.S. PATENT DOCUMENTS

D. 76,023	8/1928	Kuchins	.....	D6/449
D. 151,272	10/1948	Kipp	.....	D6/410
D. 160,369	10/1950	Chamberlain	.....	D6/449
D. 162,908	4/1951	Volk	.....	D6/410
D. 253,077	10/1979	Wolf	.....	D6/449

Primary Examiner—Bruce W. Dunkins  
Attorney, Agent, or Firm—Woodard, Weikart, Emhardt & Naughton

[57] CLAIM

The ornamental design for towel rack, as shown and described.

DESCRIPTION

FIG. 1 is a side view of the towel rack incorporating my new design.

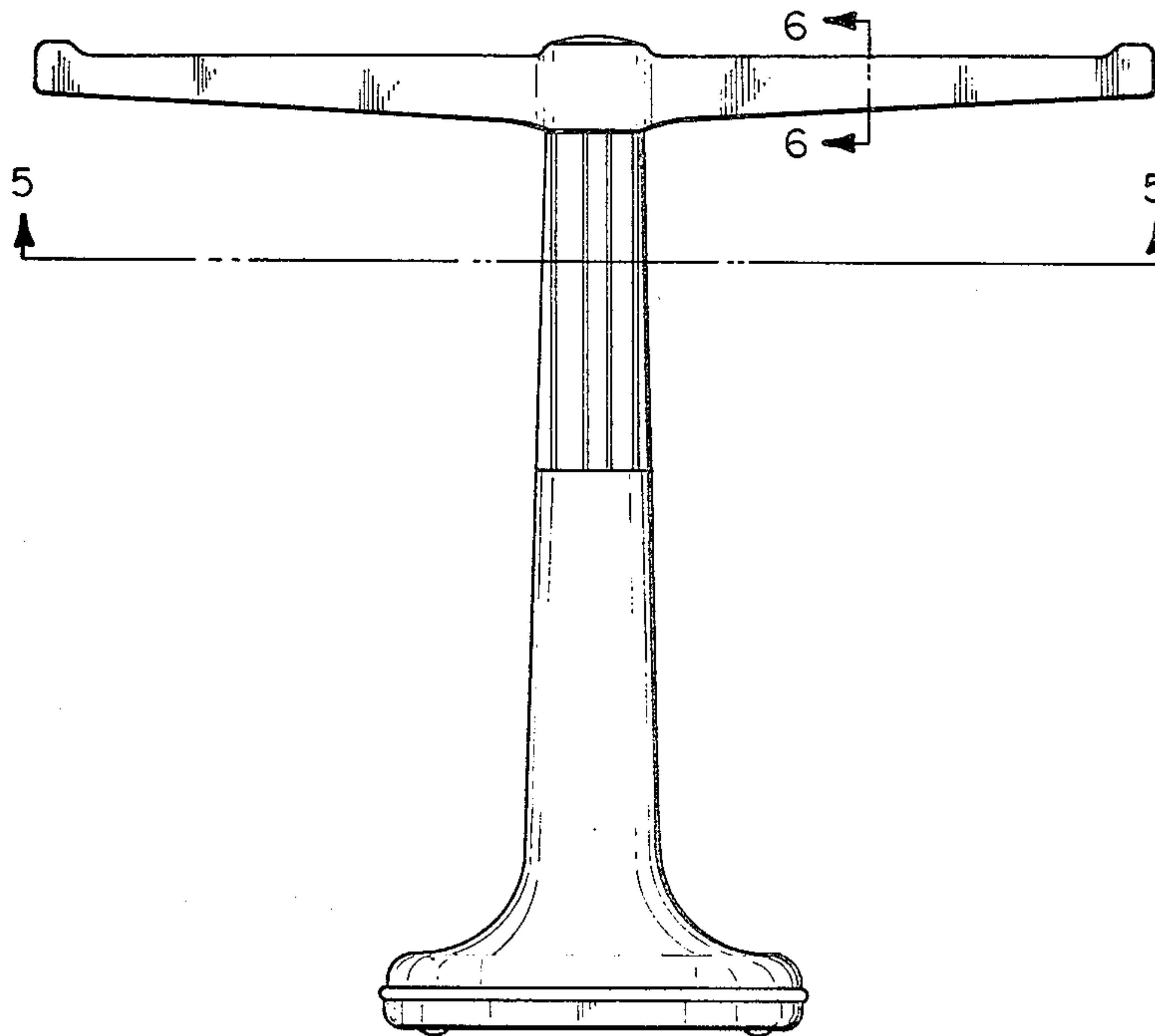
FIG. 2 is an end view of the towel rack of FIG. 1.

FIG. 3 is a top view of the towel rack of FIG. 1.

FIG. 4 is a bottom view of the towel rack of FIG. 1.

FIG. 5 is a cross-sectional view taken along the line 5—5 of FIG. 1 and viewed in the direction of the arrows.

FIG. 6 is a cross-sectional view taken along the line 6—6 of FIG. 1 and viewed in the direction of the arrows.



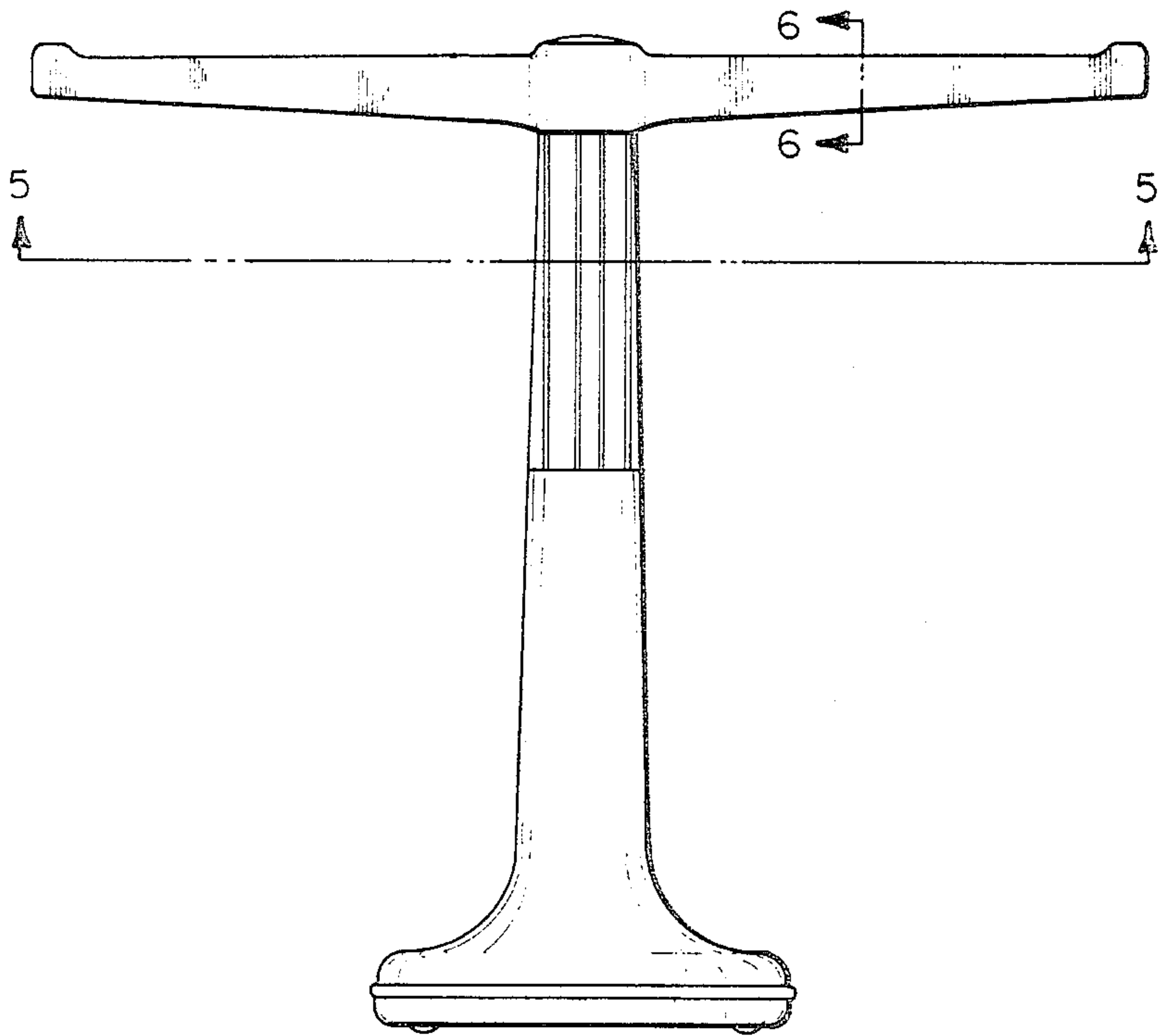


Fig. 1

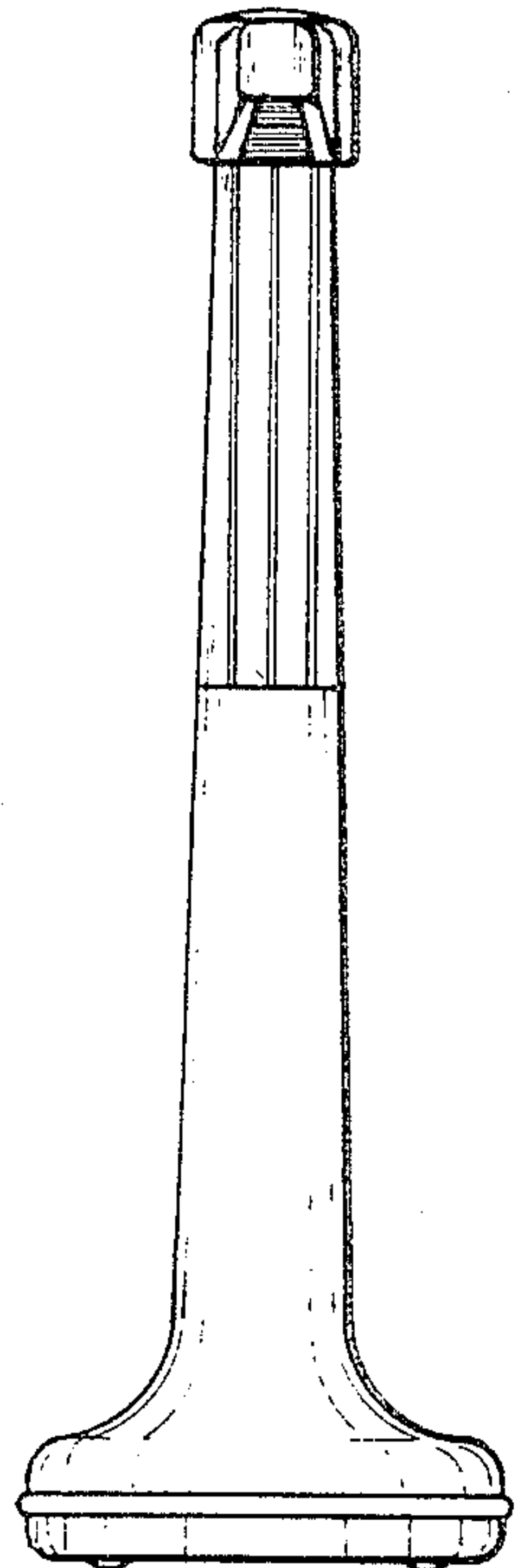


Fig. 2

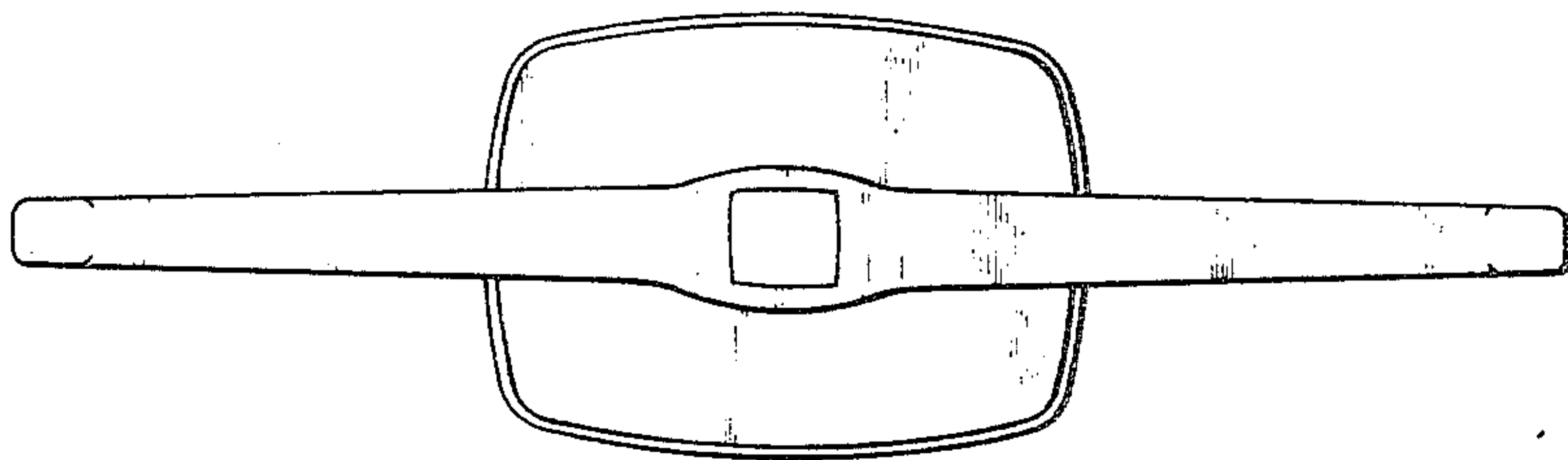


Fig. 3

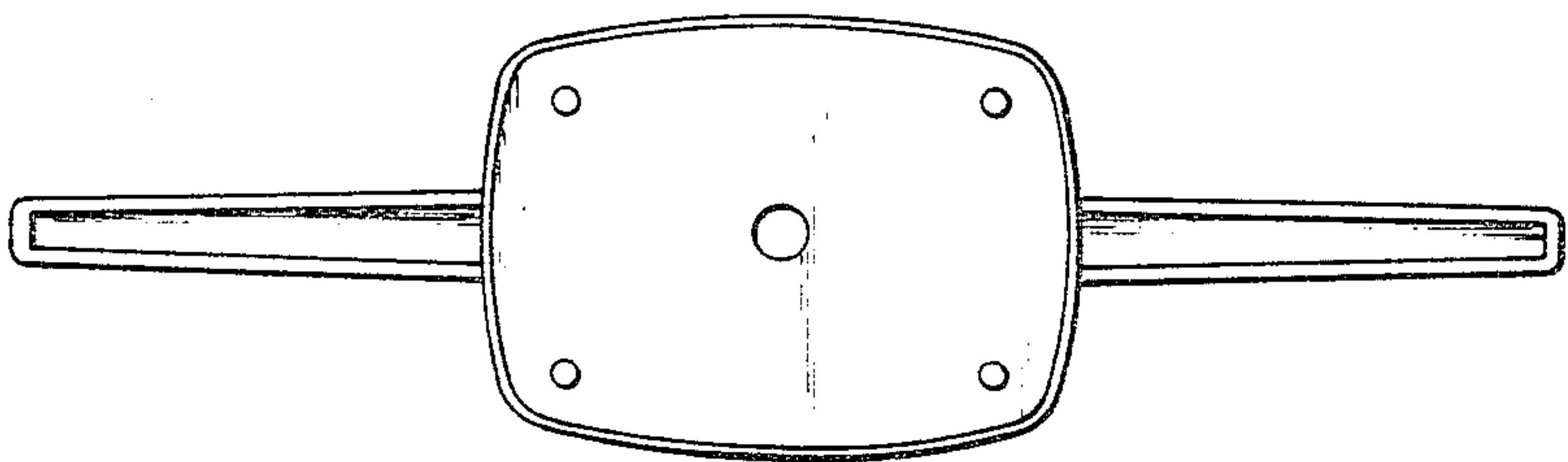


Fig. 4



Fig. 6

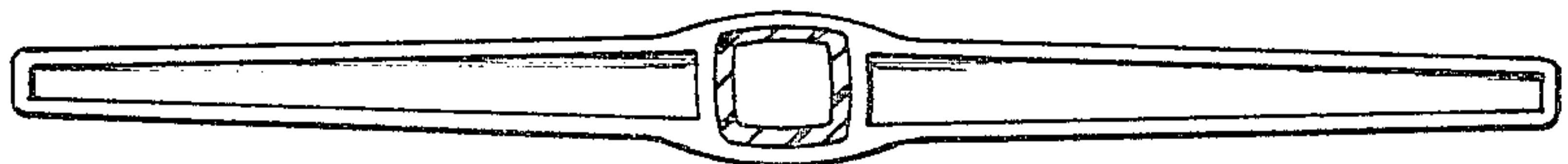


Fig. 5