

[54] **ADJUSTABLE BOOSTER SEAT**

[76] **Inventor: Daniel L. Holden, 10773 Jeff La., Cincinnati, Ohio 45241**

[**] **Term: 14 Years**

[21] **Appl. No.: 448,108**

[22] **Filed: Dec. 9, 1982**

[52] **U.S. Cl. D6/367; D6/334; D6/375**

[58] **Field of Search D6/374, 334, 338, 367, D6/375**

[56] **References Cited**

U.S. PATENT DOCUMENTS

- D. 218,420 8/1970 Weidner D6/338
- D. 221,425 8/1971 Pasakarnis, Jr. D6/374
- D. 222,451 10/1971 Lamb D6/367

D. 251,641 4/1979 Chacon D6/374

Primary Examiner—Bruce W. Dunkins
Attorney, Agent, or Firm—Biebel, French & Nauman

[57] **CLAIM**

The ornamental design for an adjustable booster seat, substantially as shown and described.

DESCRIPTION

FIG. 1 is a perspective view of an adjustable booster seat showing my new design;
FIG. 2 is a top view thereof;
FIG. 3 is a bottom view thereof;
FIG. 4 is a left-side view thereof;
FIG. 5 is a right-side view thereof;
FIG. 6 is a back view thereof;
FIG. 7 is a front view thereof; and
FIG. 8 is a perspective view of an alternate embodiment thereof.

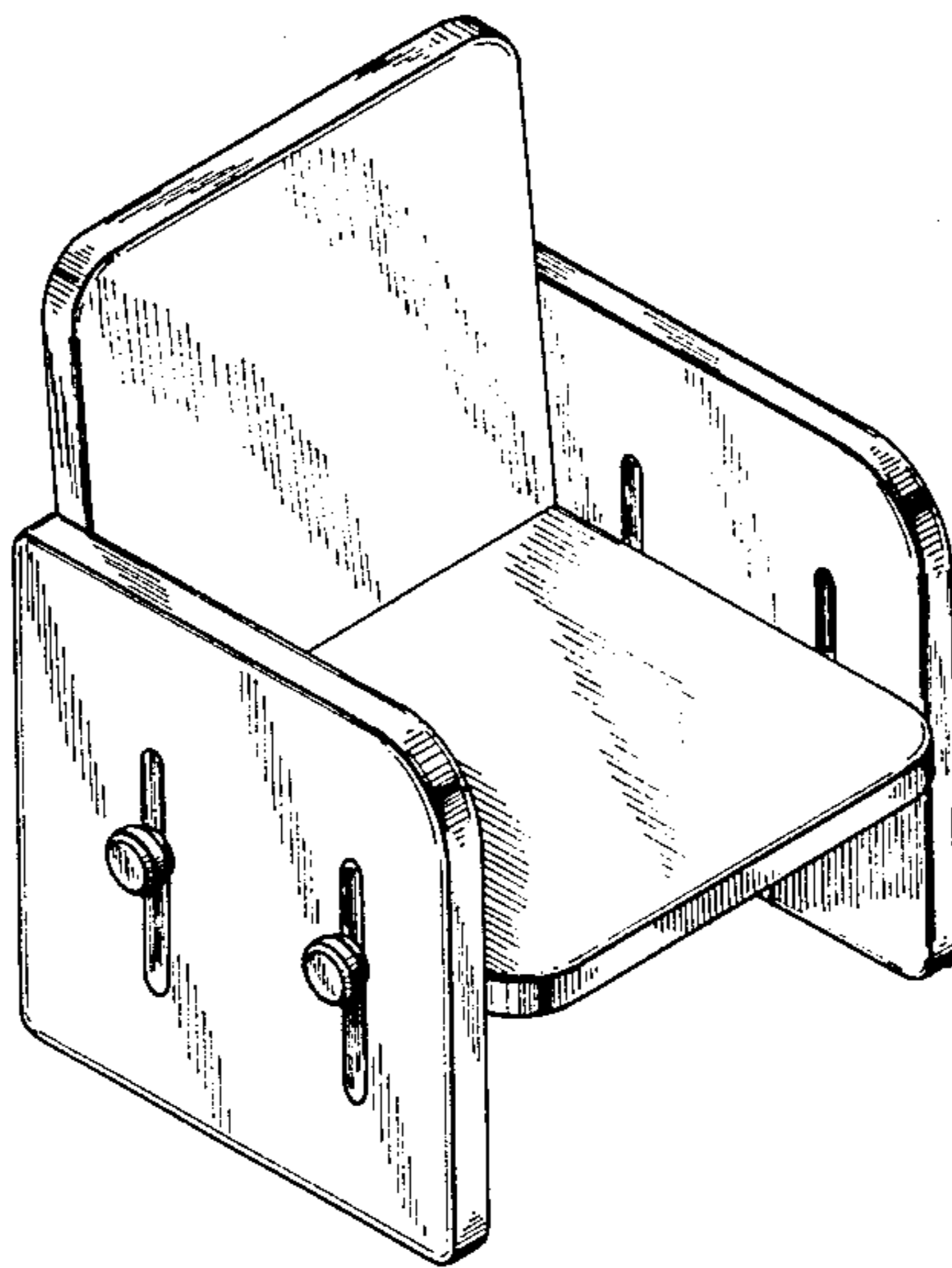


FIG-1

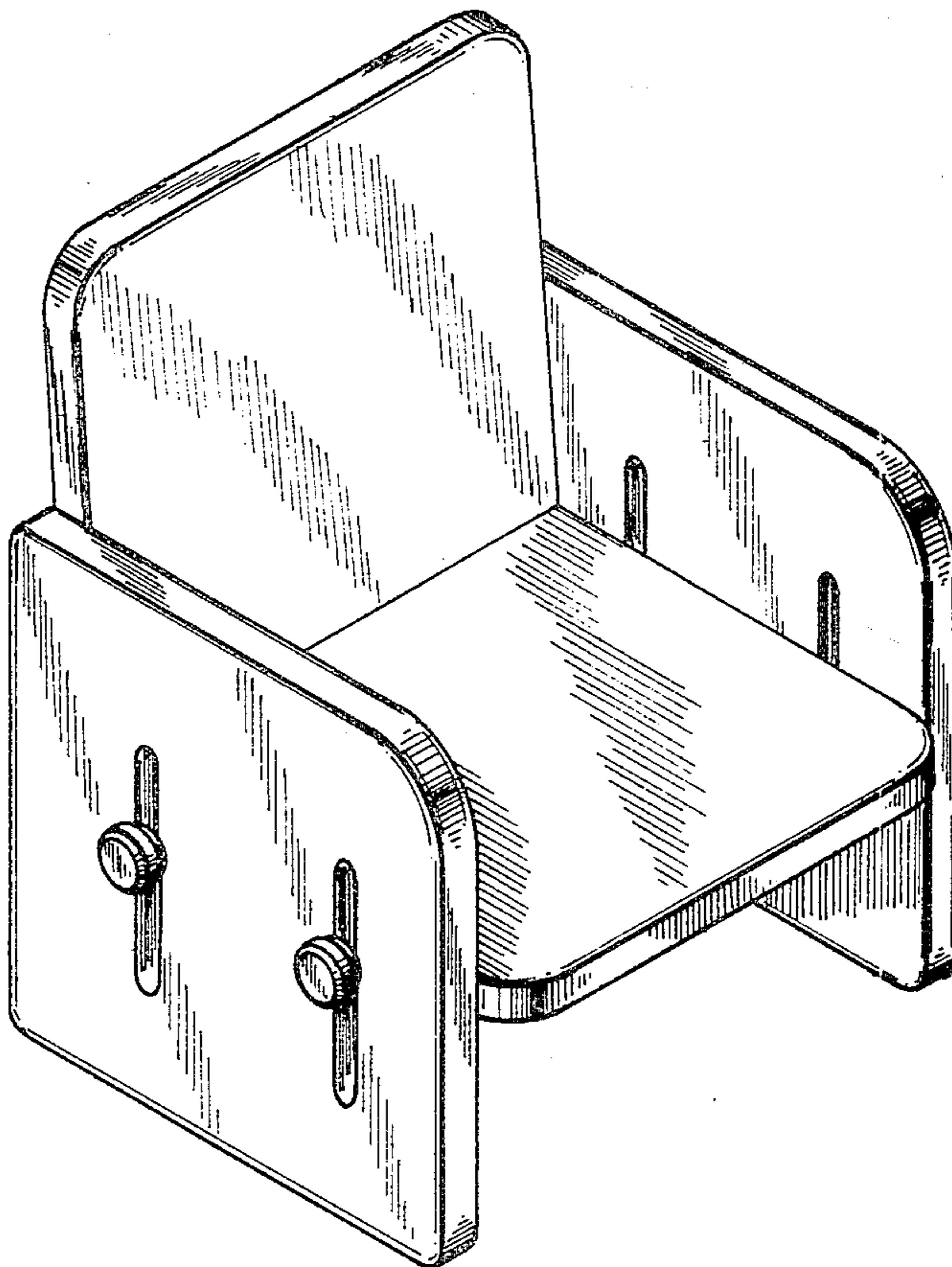


FIG-2

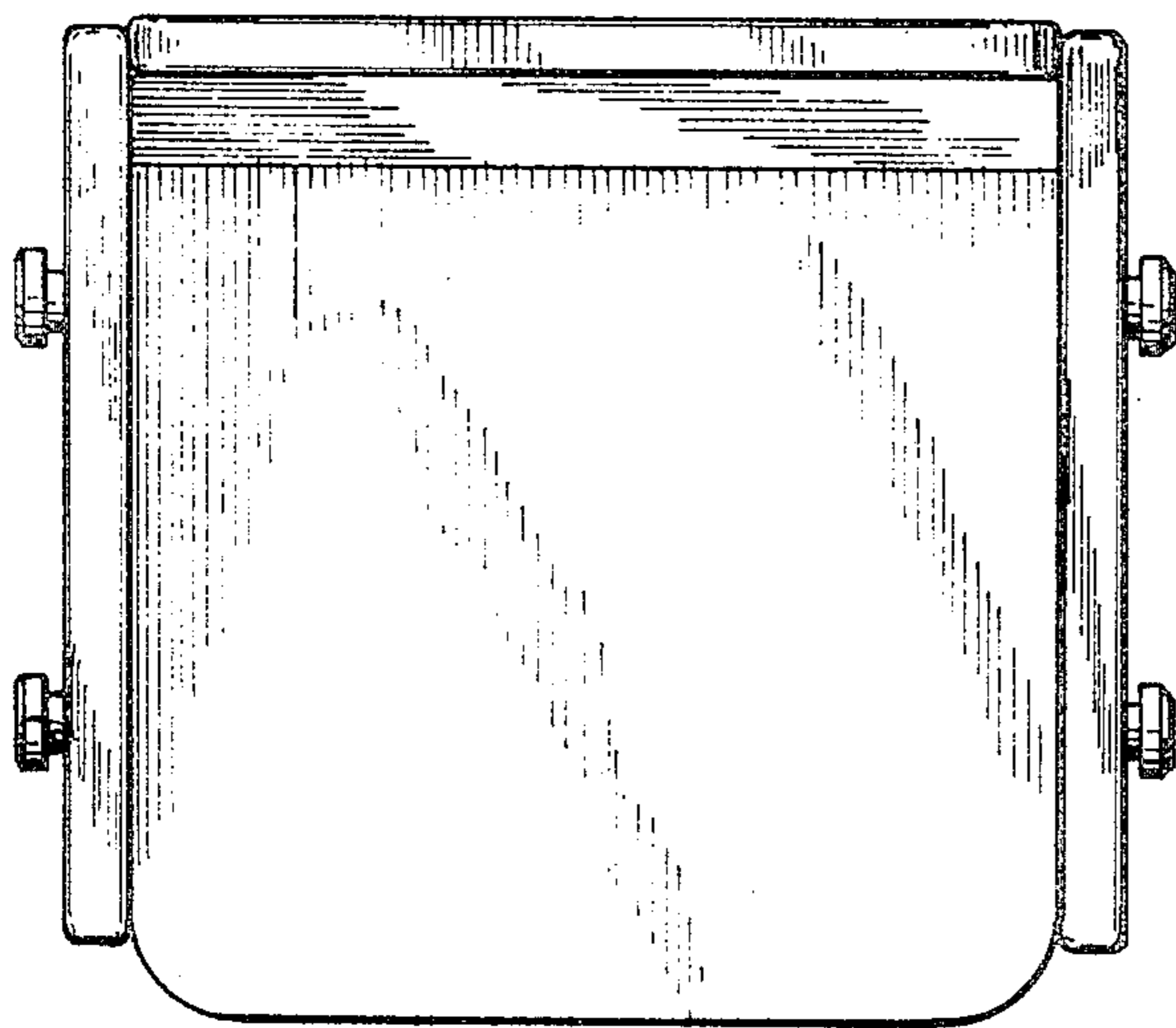


FIG-3

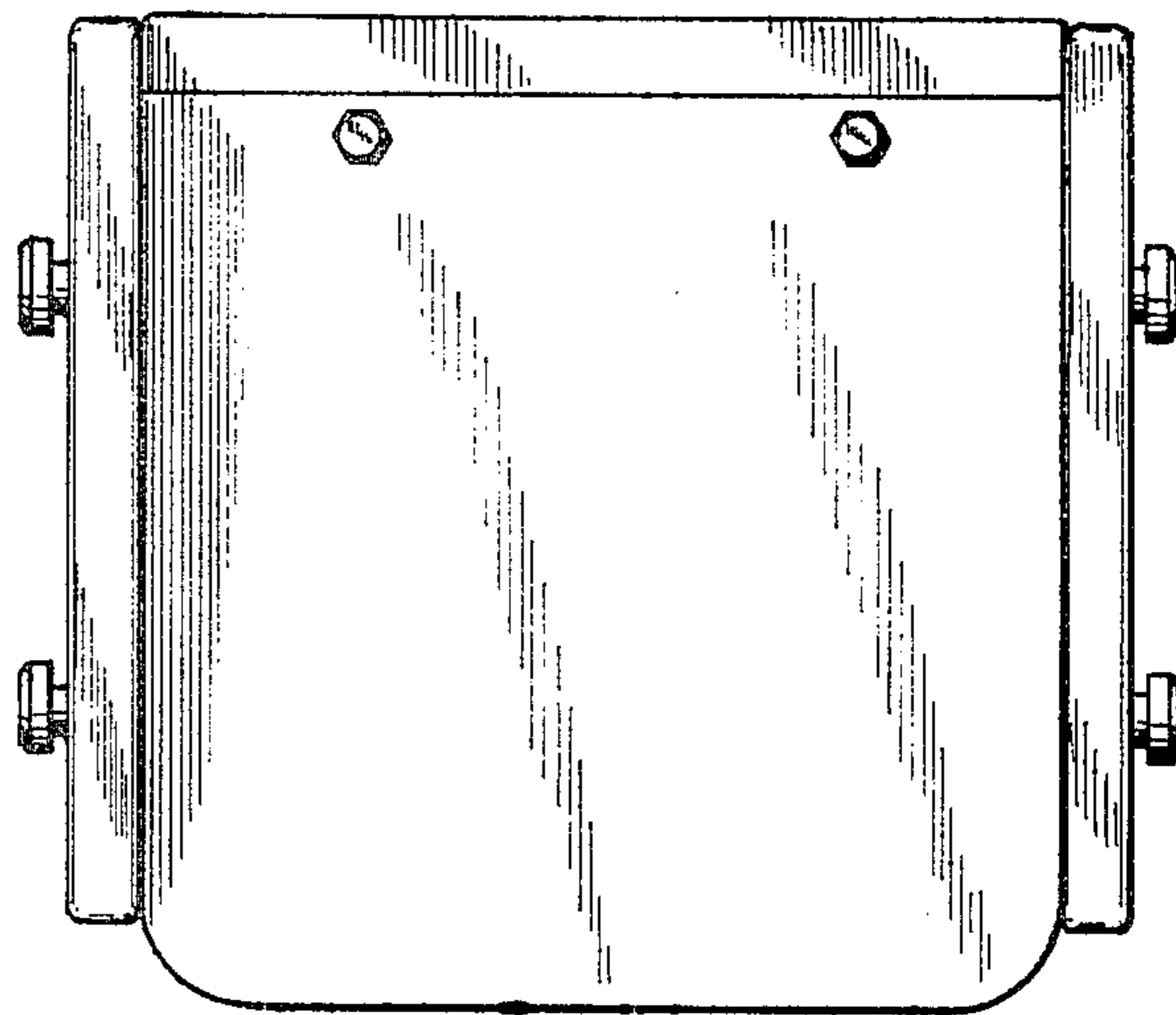


FIG-4

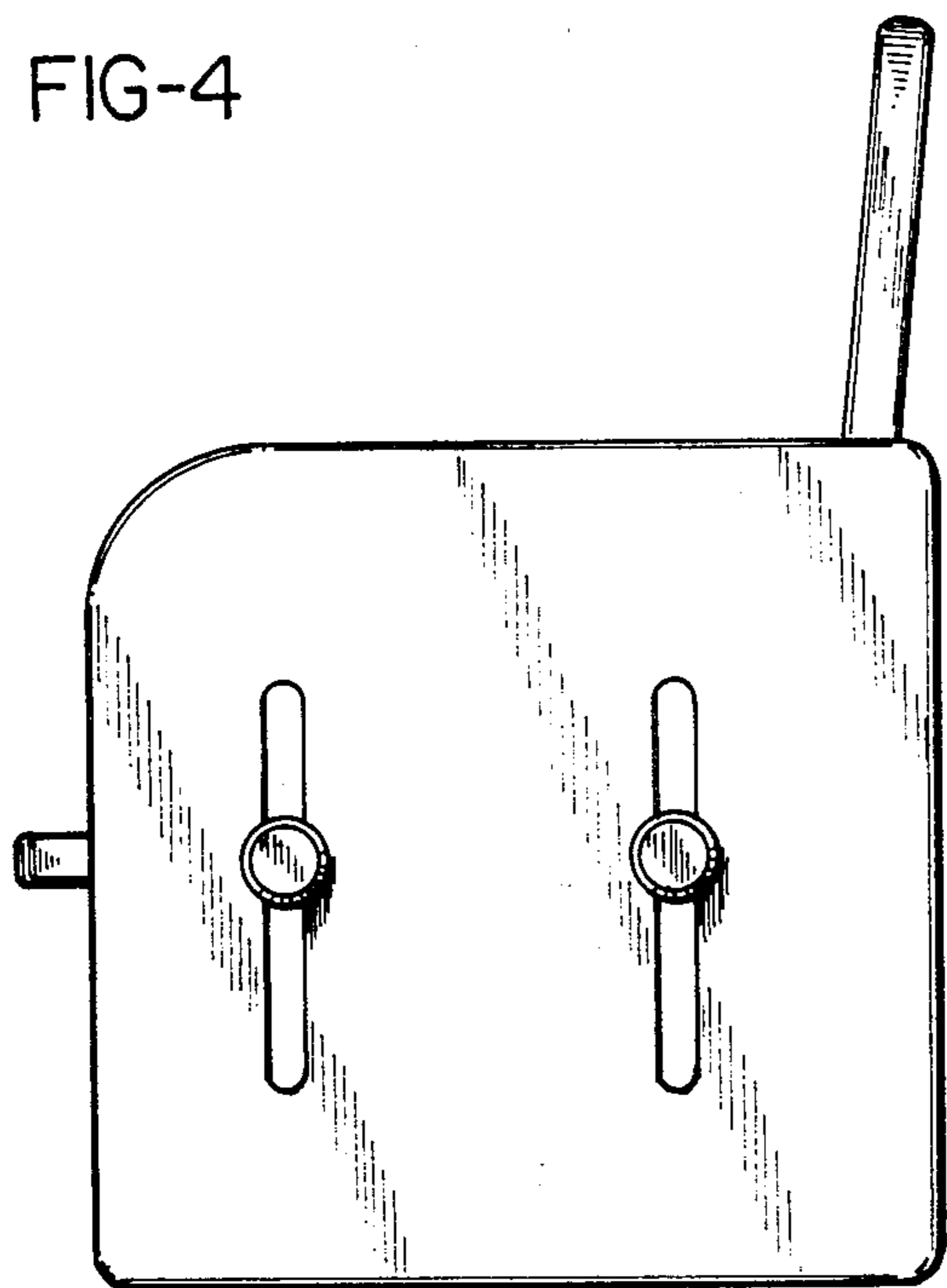


FIG-5

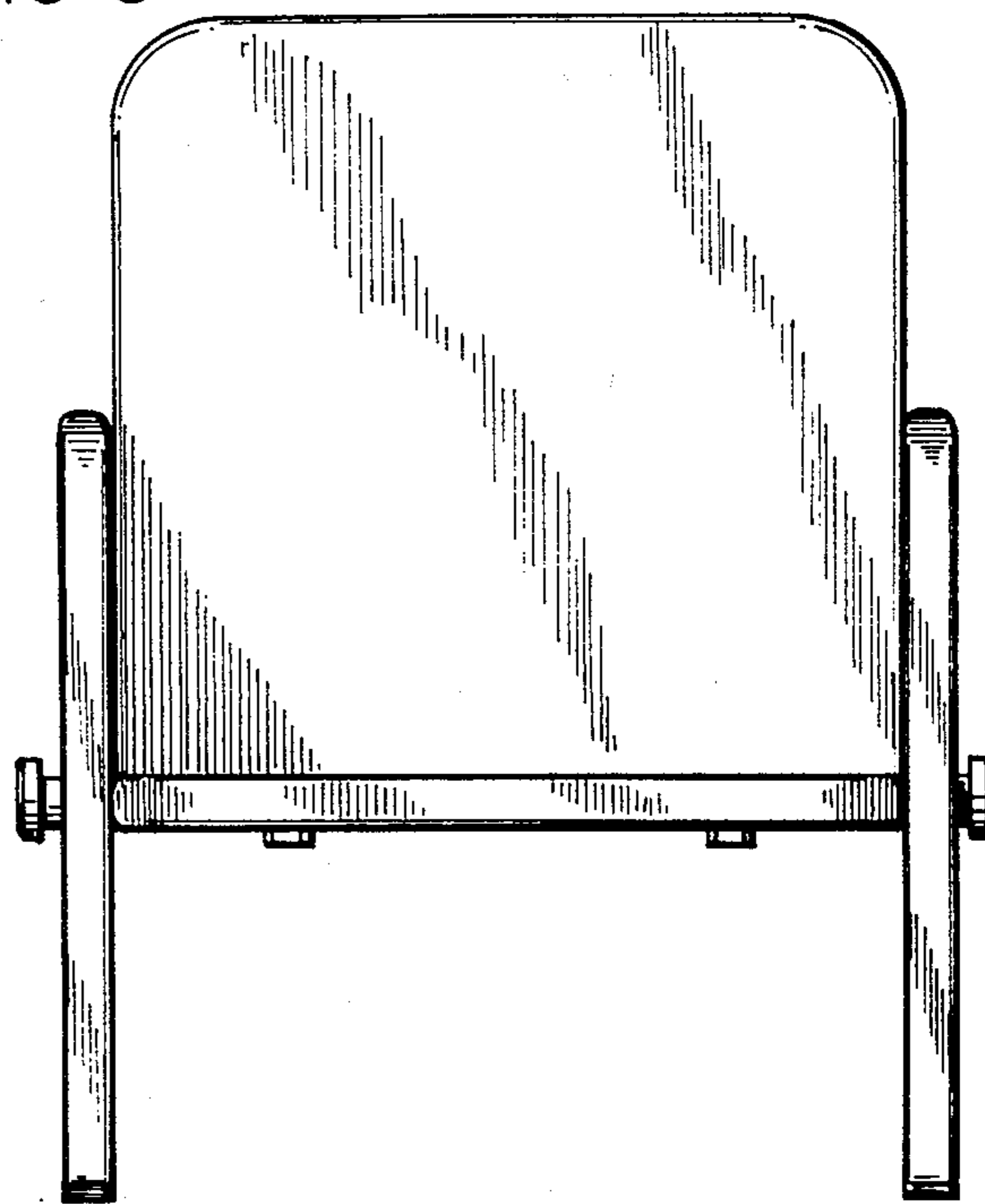


FIG-6

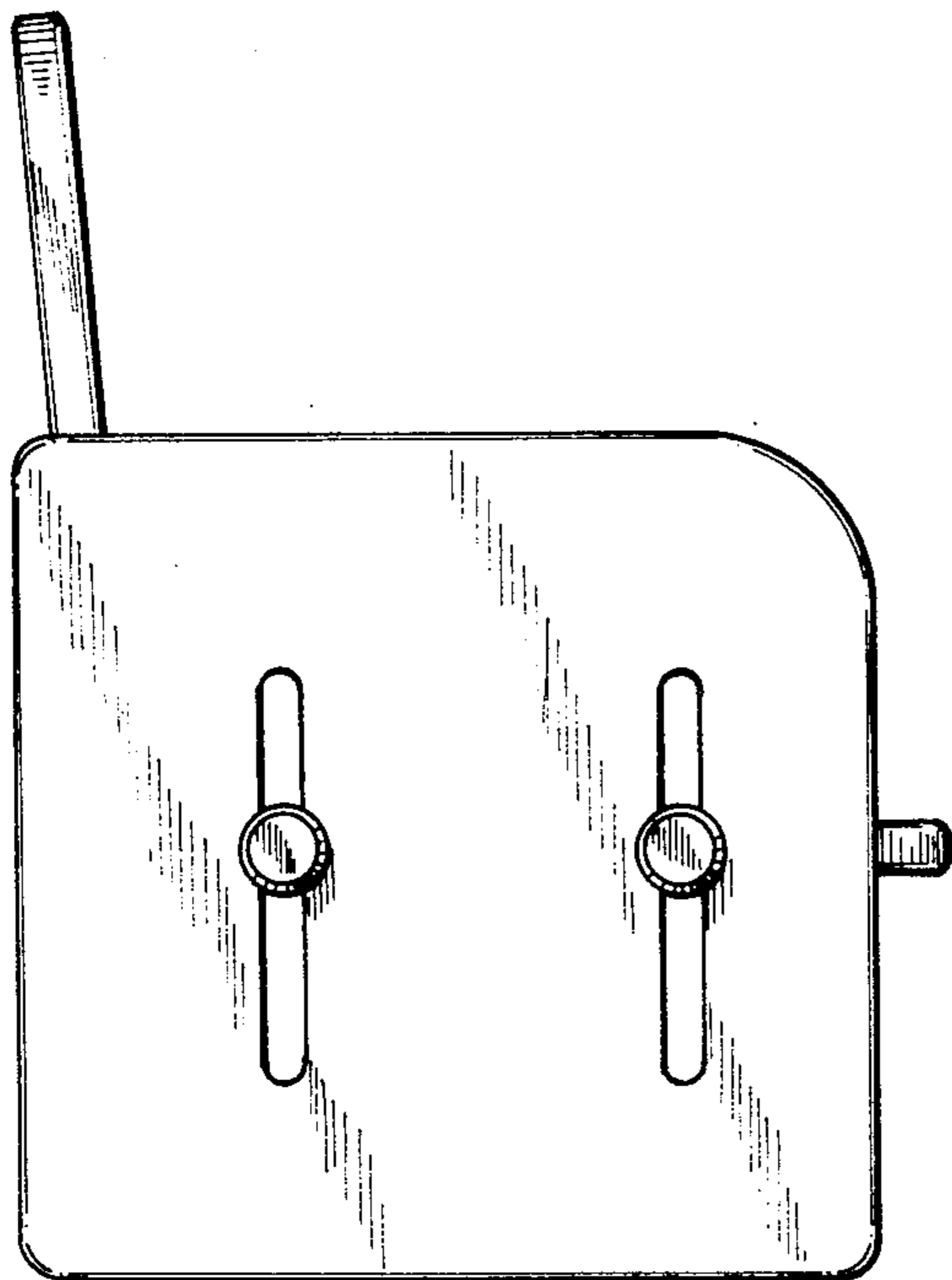


FIG-7

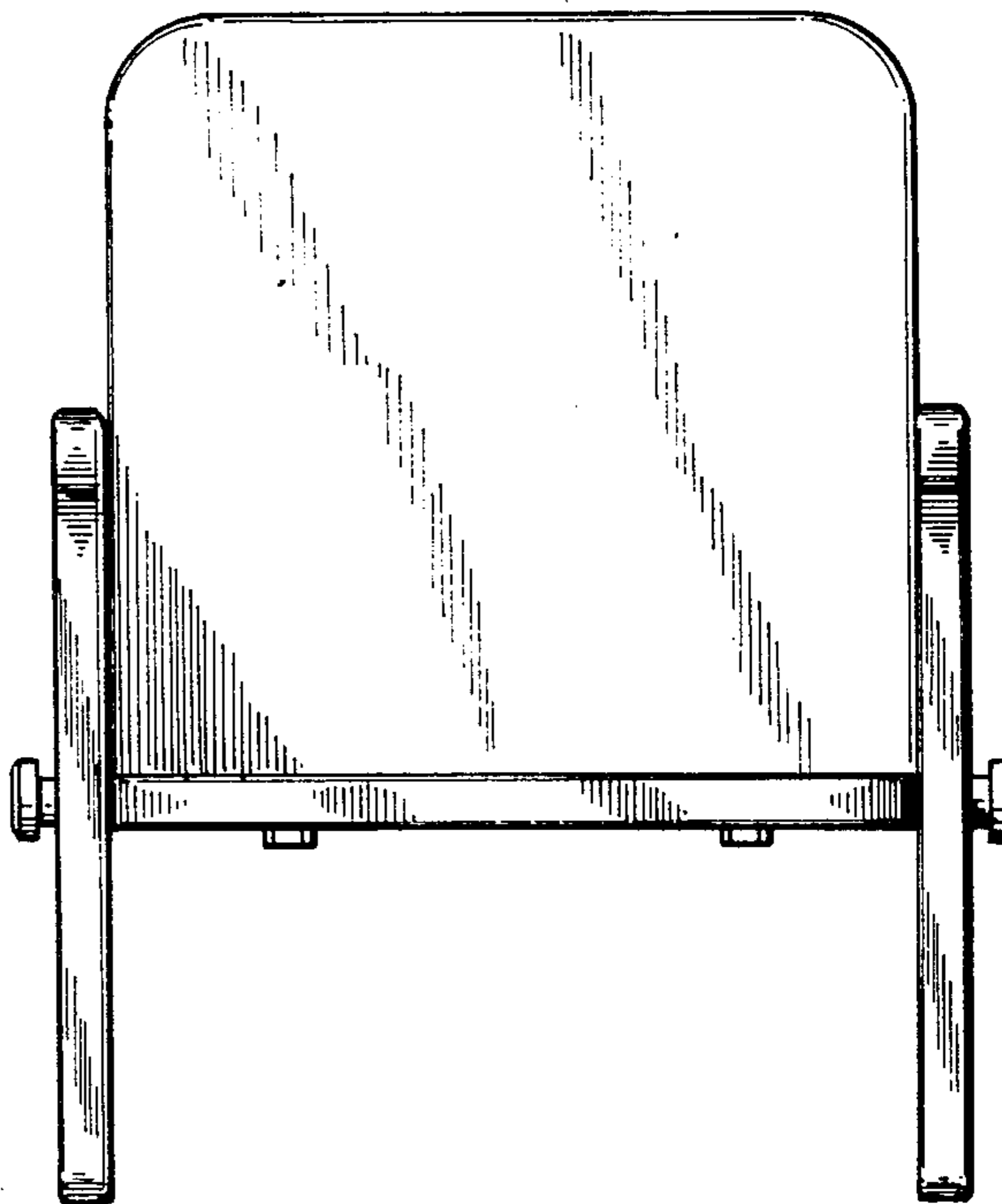


FIG-8

