

[54] EXTENDABLE TIE RACK HOUSING

[75] Inventor: Charles E. Benedict, Tallahassee, Fla.

[73] Assignee: Telescoping Tie Racks, Inc., White Haven, Fla.

[\*\*] Term: 14 Years

[21] Appl. No.: 660,162

[22] Filed: Oct. 12, 1984

2,985,311	5/1961	Abel .....	211/94
3,116,837	1/1964	Kelly .....	211/94
3,124,253	3/1964	Petrich .....	211/94
3,335,872	8/1967	Dodich .....	211/94
3,389,807	6/1968	Manning et al. ....	211/94
3,897,122	7/1975	McEvers .....	211/94
3,954,182	5/1976	McEvers .....	211/94

Primary Examiner—B. J. Bullock  
Attorney, Agent, or Firm—Dowell & Dowell

[57] CLAIM

The ornamental design for an extendable tie rack housing, as shown.

Related U.S. Application Data

[63] Continuation-in-part of Ser. No. 453,052, Dec. 27, 1982, Pat. No. Des. 277,248.

[52] U.S. Cl. .... D6/324; D6/315

[58] Field of Search ..... D6/315, 320, 328, 325; 211/94, 105.3, 119, 181

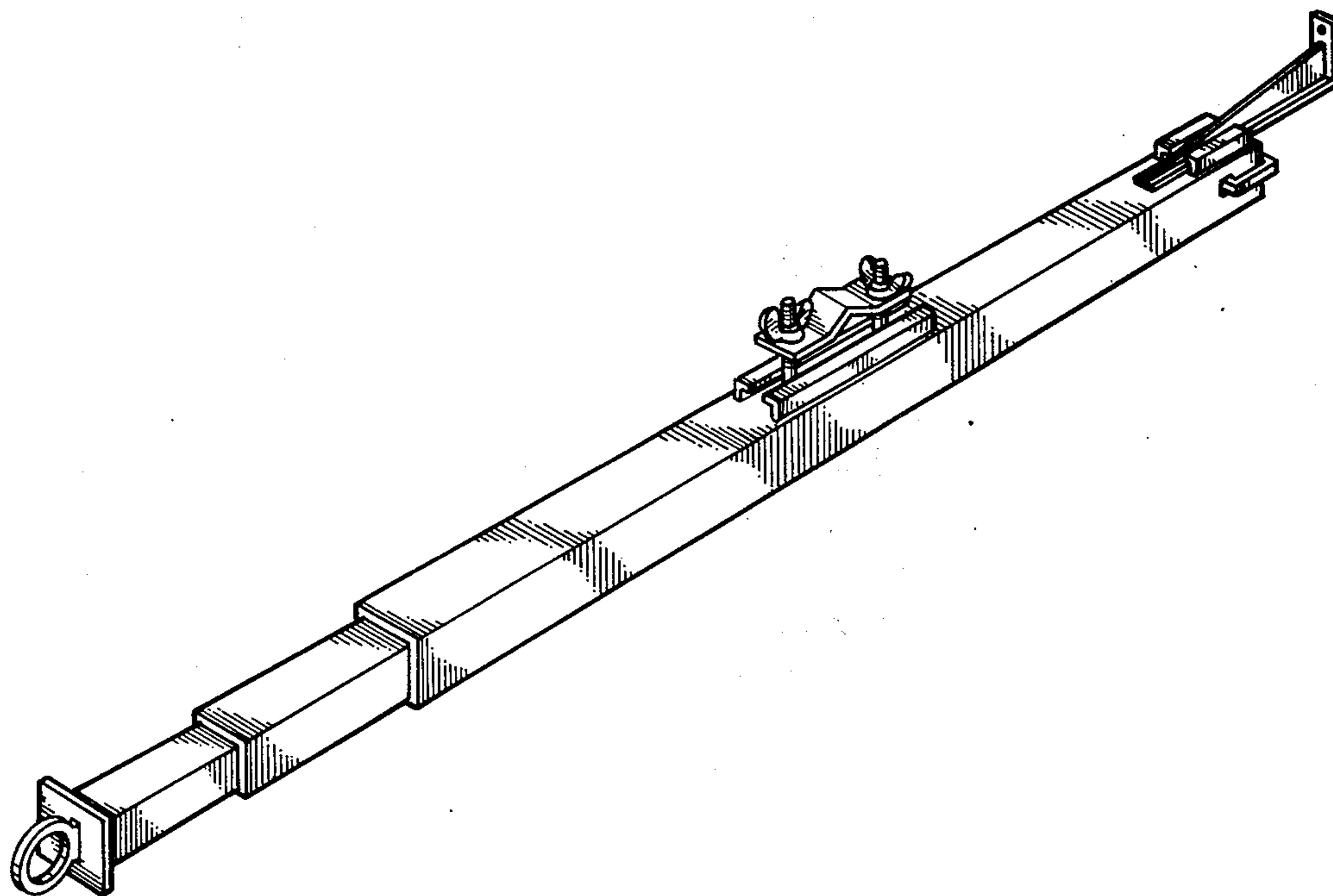
DESCRIPTION

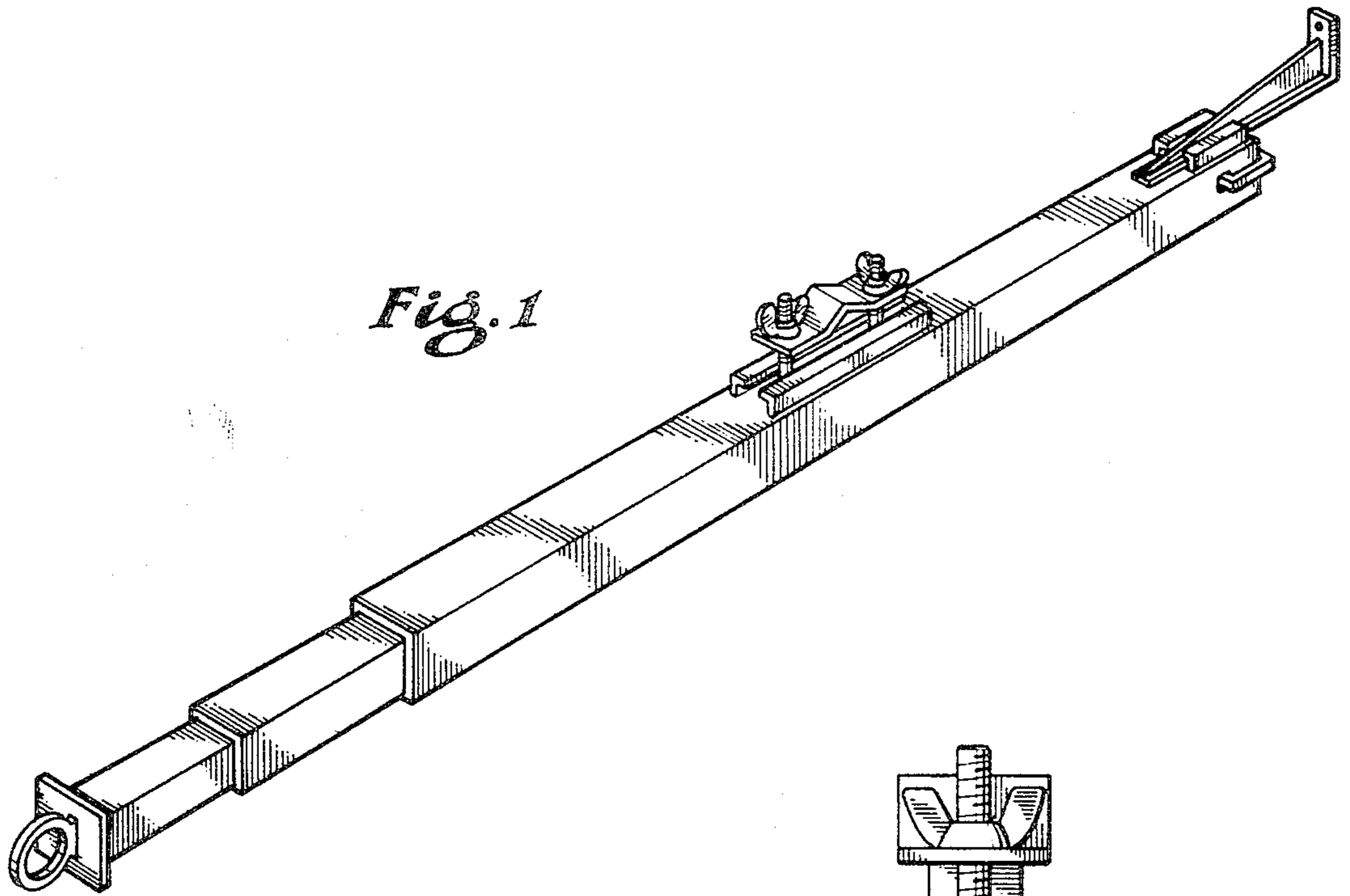
FIG. 1 is a prospective view of an extendable tie rack housing showing my new design;  
FIG. 2 is an enlarged front elevational view thereof;  
FIG. 3 is an enlarged rear elevational view thereof;  
FIG. 4 is a bottom plan view thereof;  
FIG. 5 is a side elevational view taken from the left of FIG. 1;  
FIG. 6 is an enlarged fragmentary perspective view thereof.

References Cited

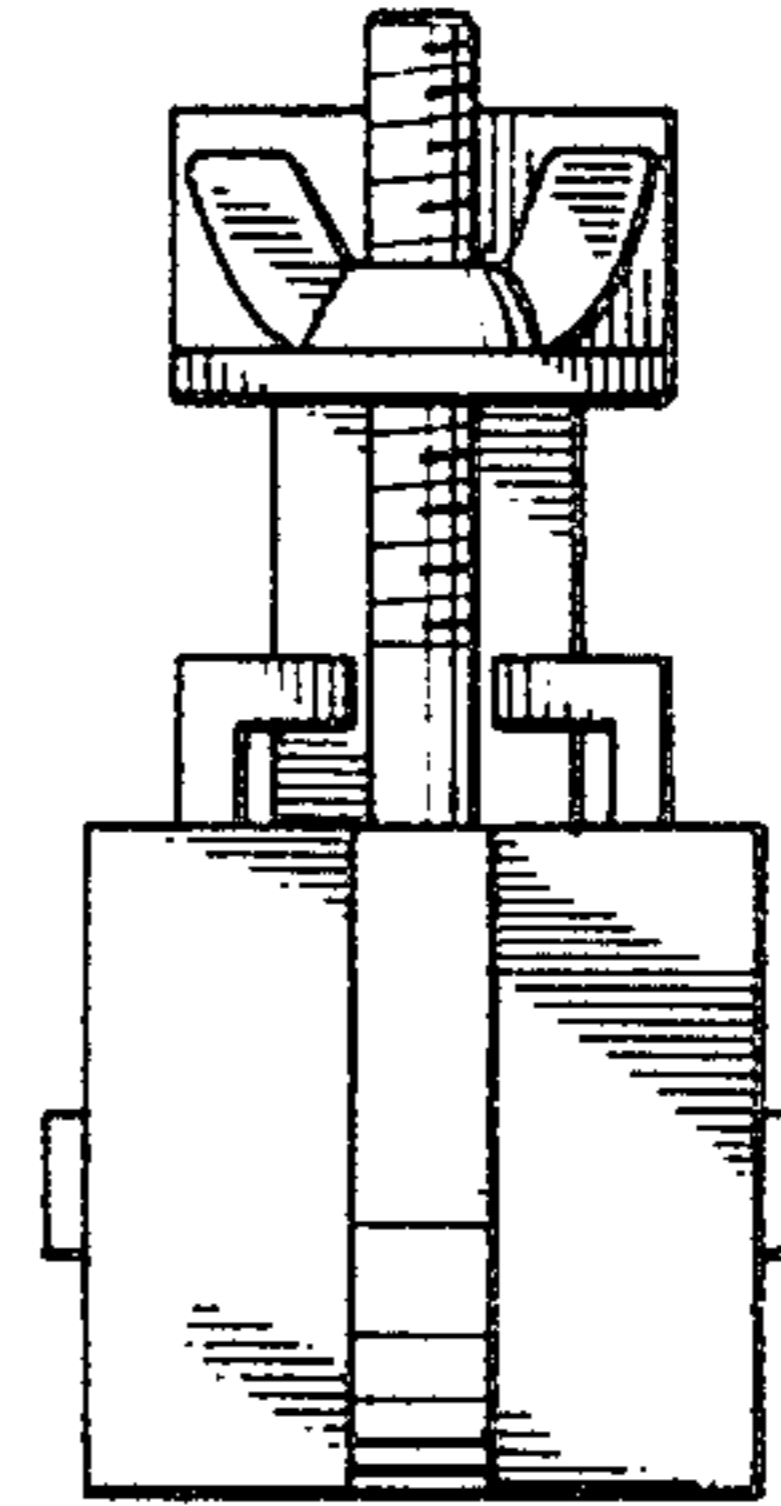
U.S. PATENT DOCUMENTS

1,415,316	5/1922	Corbin .....	211/94
2,917,185	12/1959	Kovacs .....	211/94

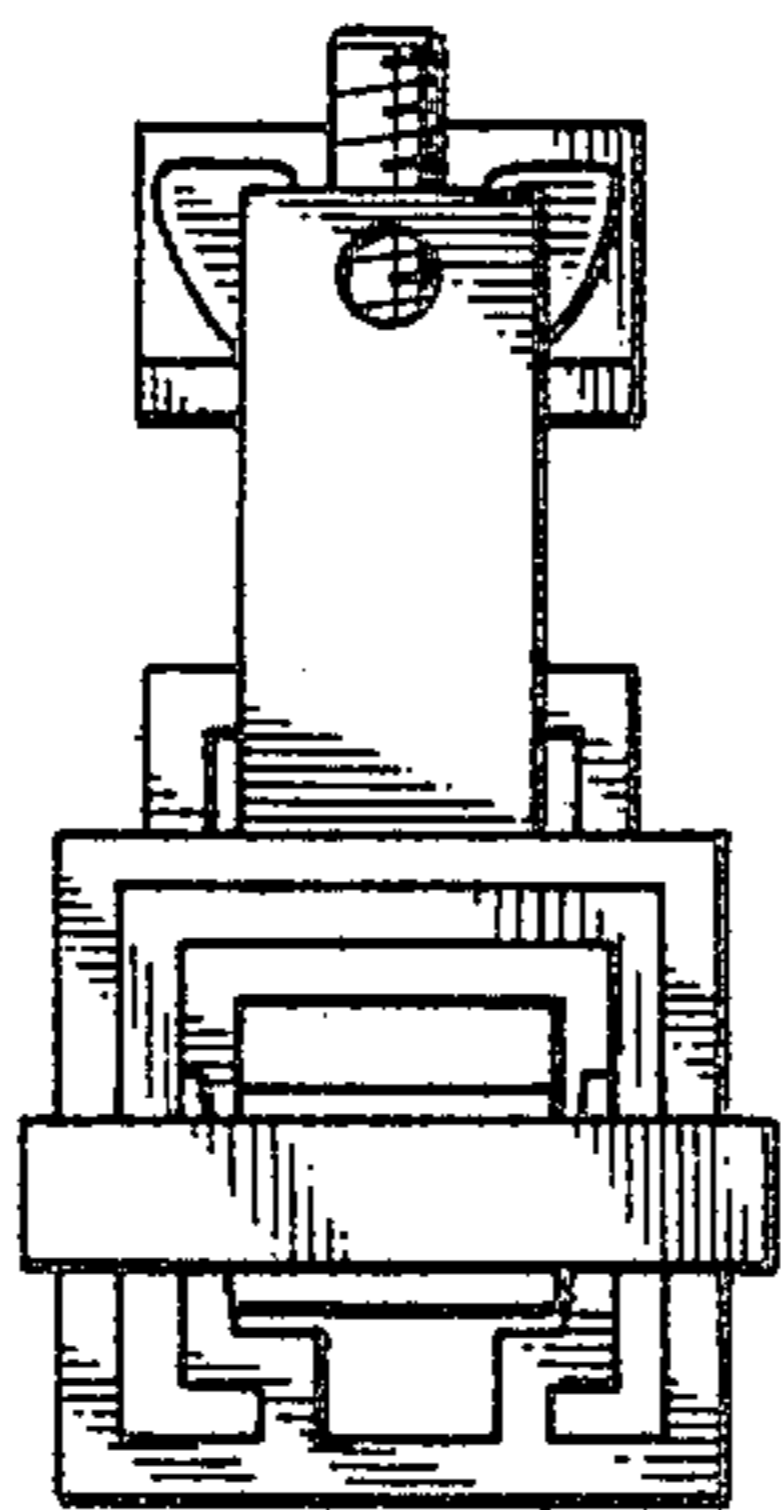




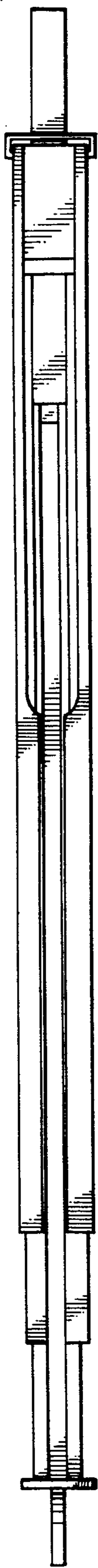
*Fig. 1*



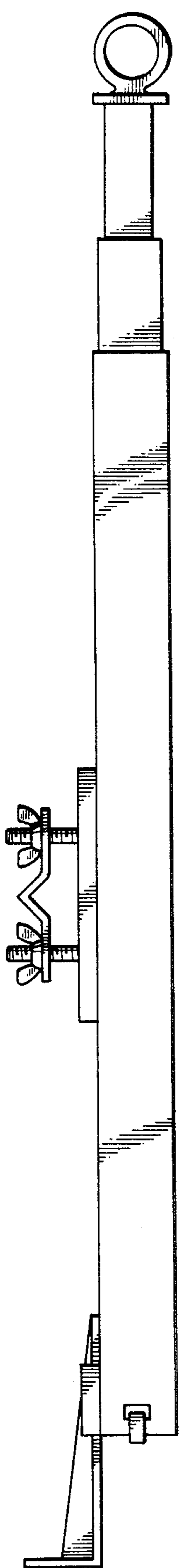
*Fig. 2*



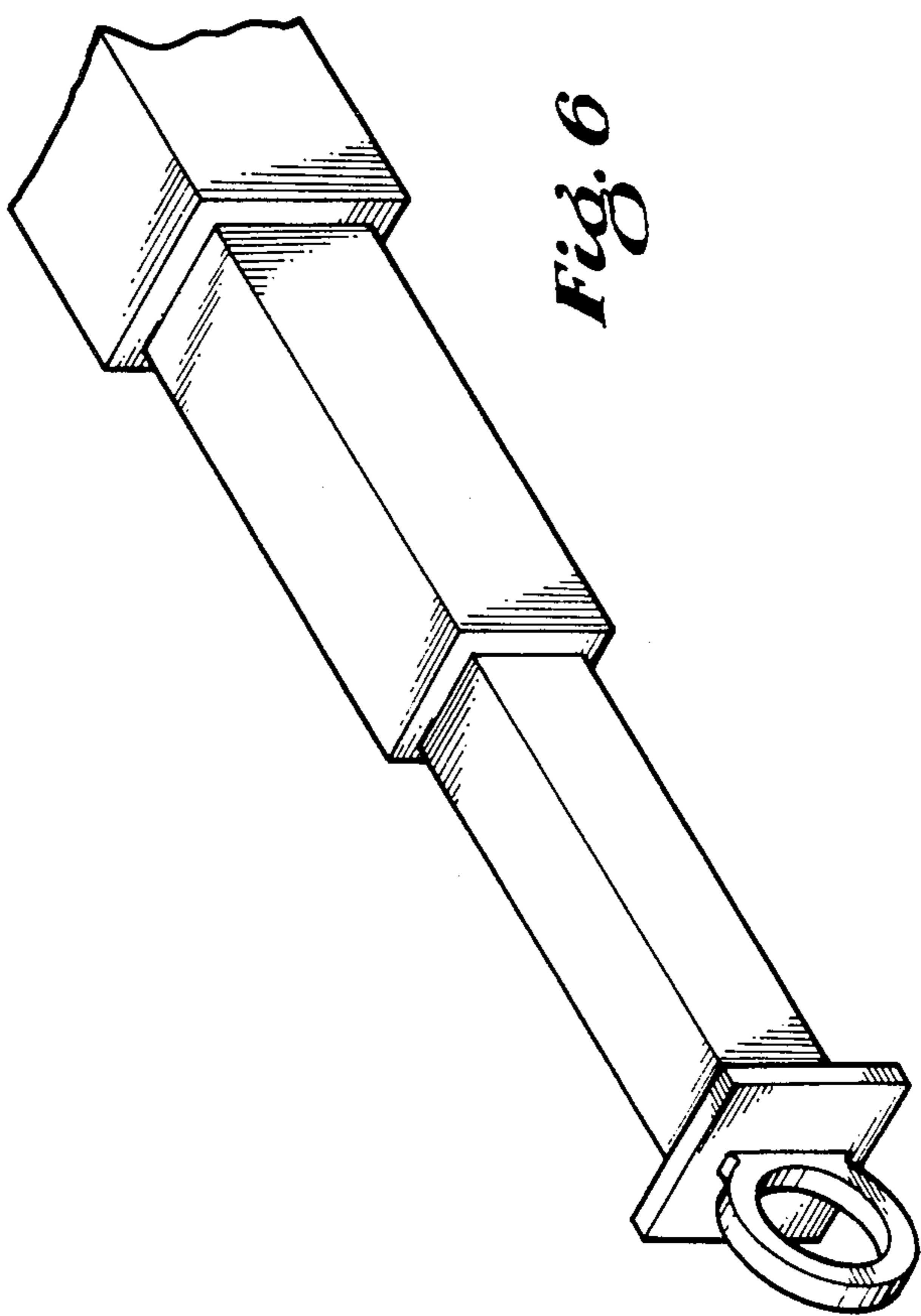
*Fig. 3*



*Fig. 4*



*Fig. 5*



*Fig. 6*