

[54] INCLEMENT WEATHER HOOD FOR A STRETCHER OF LITTER OR THE LIKE

[76] Inventor: Robert Barton, 7 Madison Ave., Lake Hiawatha, N.Y. 07034

[**] Term: 14 Years

[21] Appl. No.: 505,932

[22] Filed: Jun. 20, 1983

[52] U.S. Cl. D3/5

[58] Field of Search D3/5; 135/98, 106, 109, 135/118, 20 R, 20 A, 22, 24; D21/253

[56] References Cited

U.S. PATENT DOCUMENTS

D. 260,163	8/1981	Stewart, Jr.	D21/253
D. 266,178	9/1982	Lotterer	D21/253
796,864	8/1905	Ramsay	135/106 X
2,934,076	4/1960	Fulke	135/98 X

Primary Examiner—Bernard Ansher

Assistant Examiner—Terry Pfeffer
Attorney, Agent, or Firm—Bernard J. Murphy

[57] CLAIM

The ornamental design for an inclement weather hood for a stretcher of litter or the like, as shown and described.

DESCRIPTION

FIG. 1 is a top plan view of an inclement weather hood for a stretcher of litter or the like showing my new design;

FIG. 2 is a right side elevation thereof, the opposite side being a mirror image;

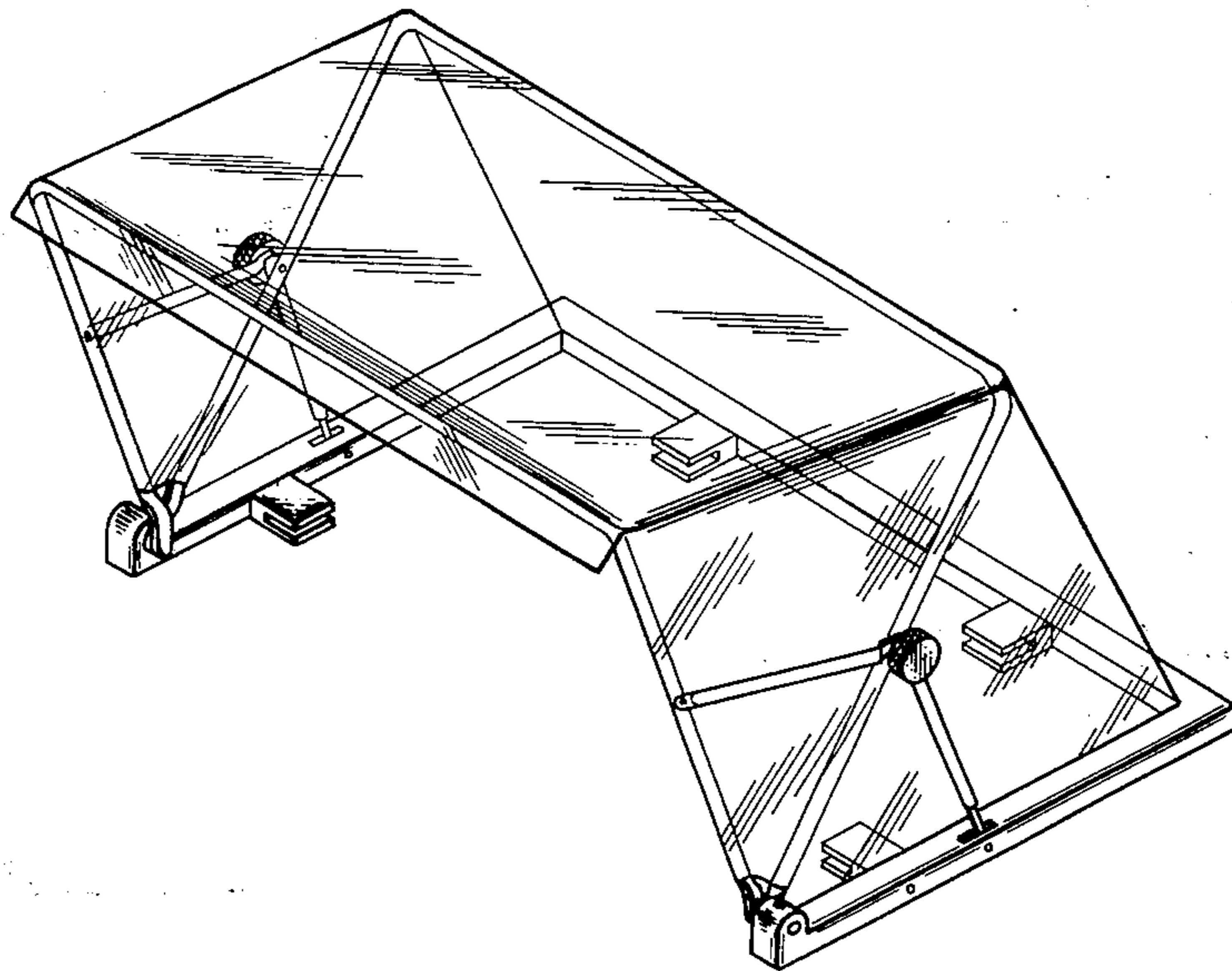
FIG. 3 is a bottom plan view thereof;

FIG. 4 is a rear elevation thereof;

FIG. 5 is a front elevation thereof;

FIG. 6 is an enlarged, fragmentary portion of the front pivot joint thereof, shown separately for clarity of illustration; and

FIG. 7 is an enlarged, top, front, right side perspective view of the inclement weather hood.



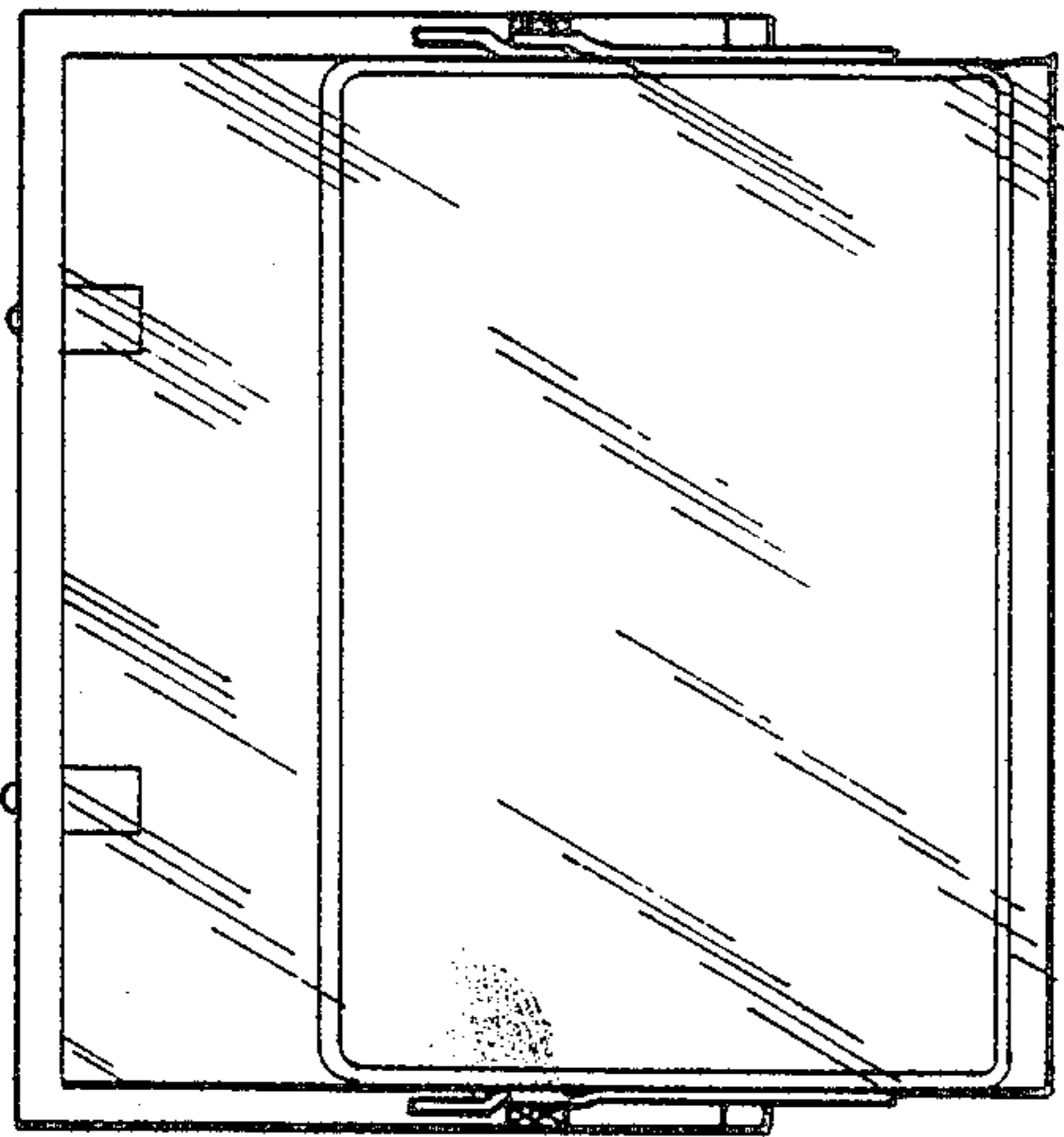


FIG. 1

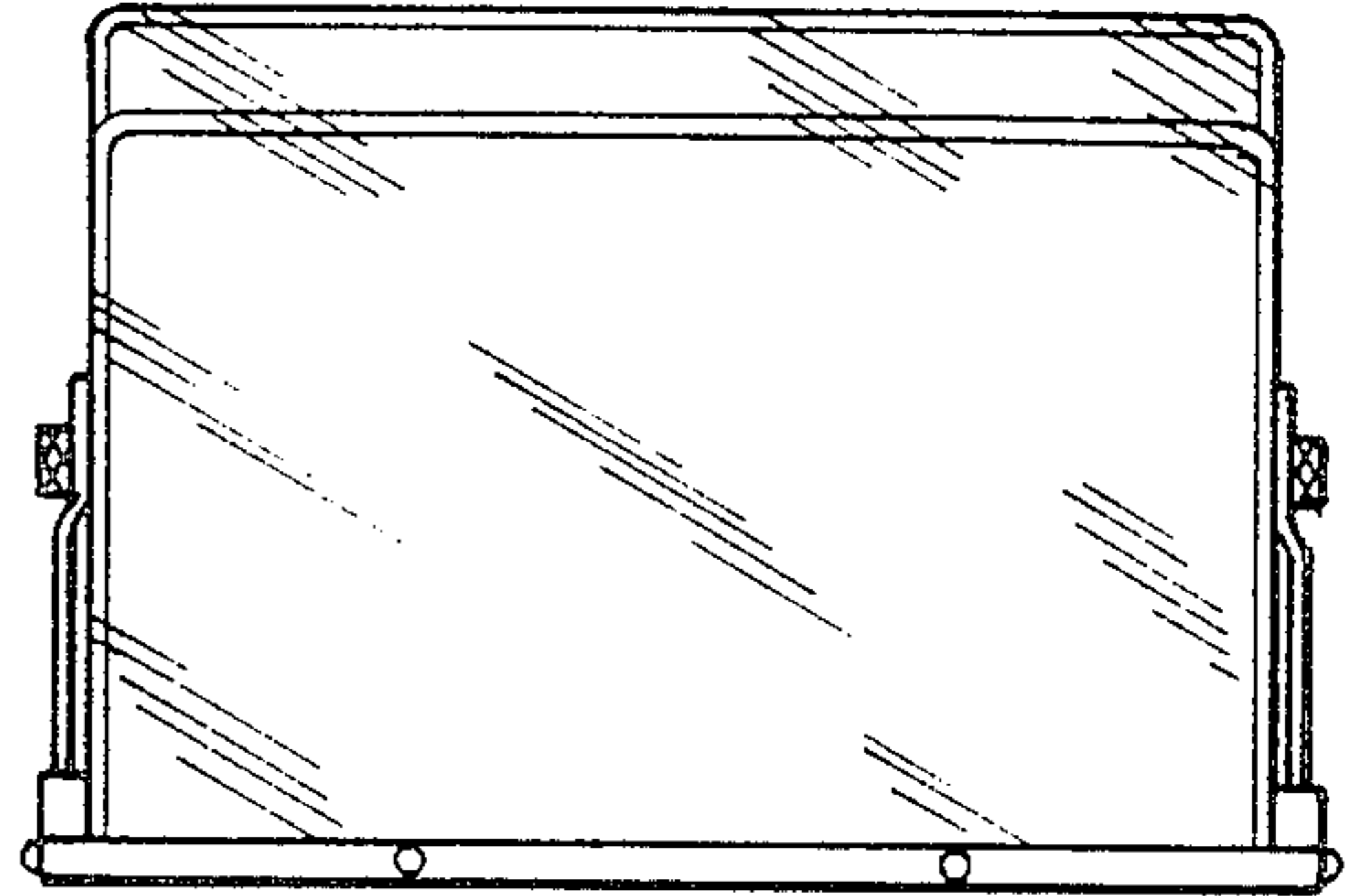


FIG. 4

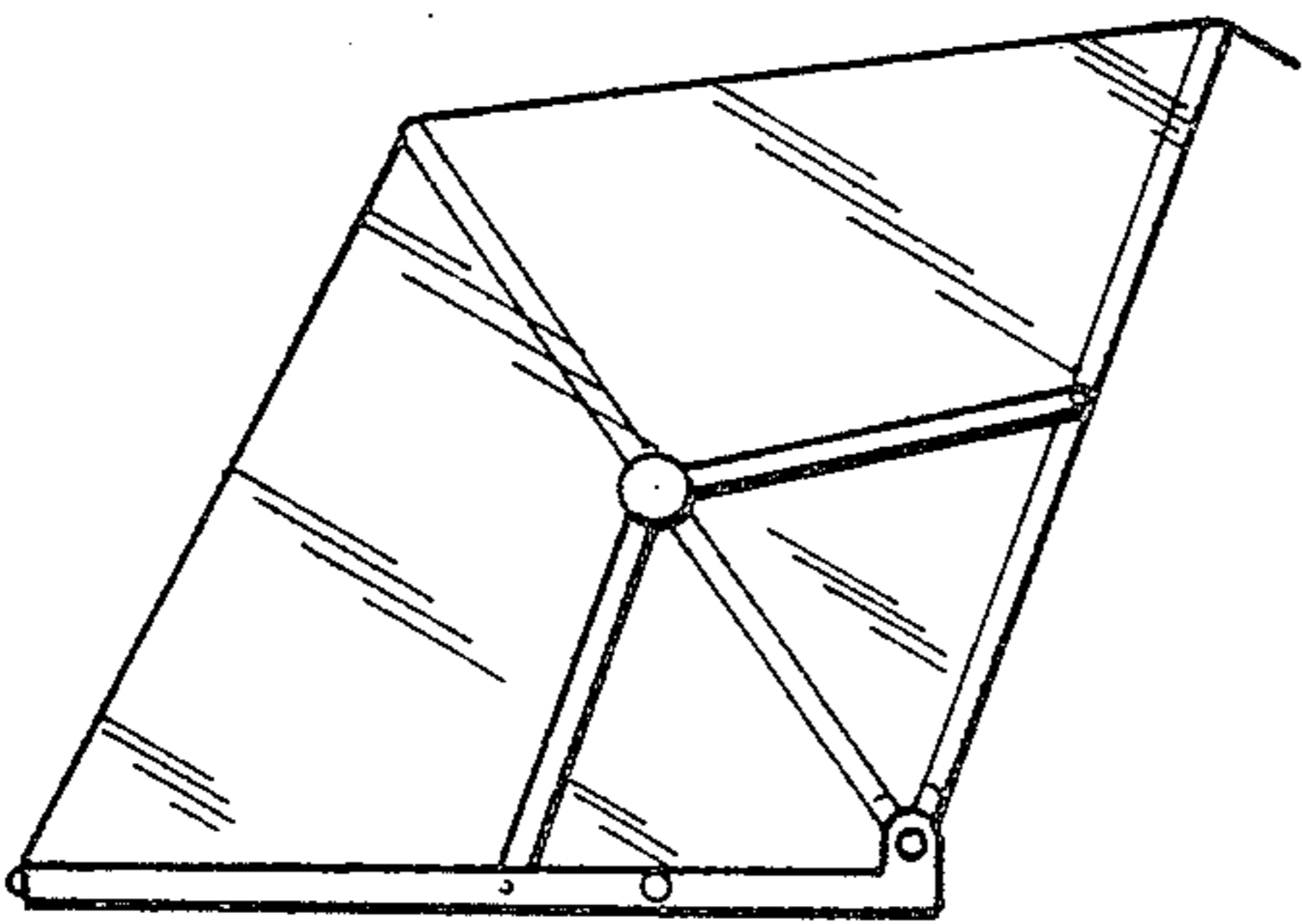


FIG. 2

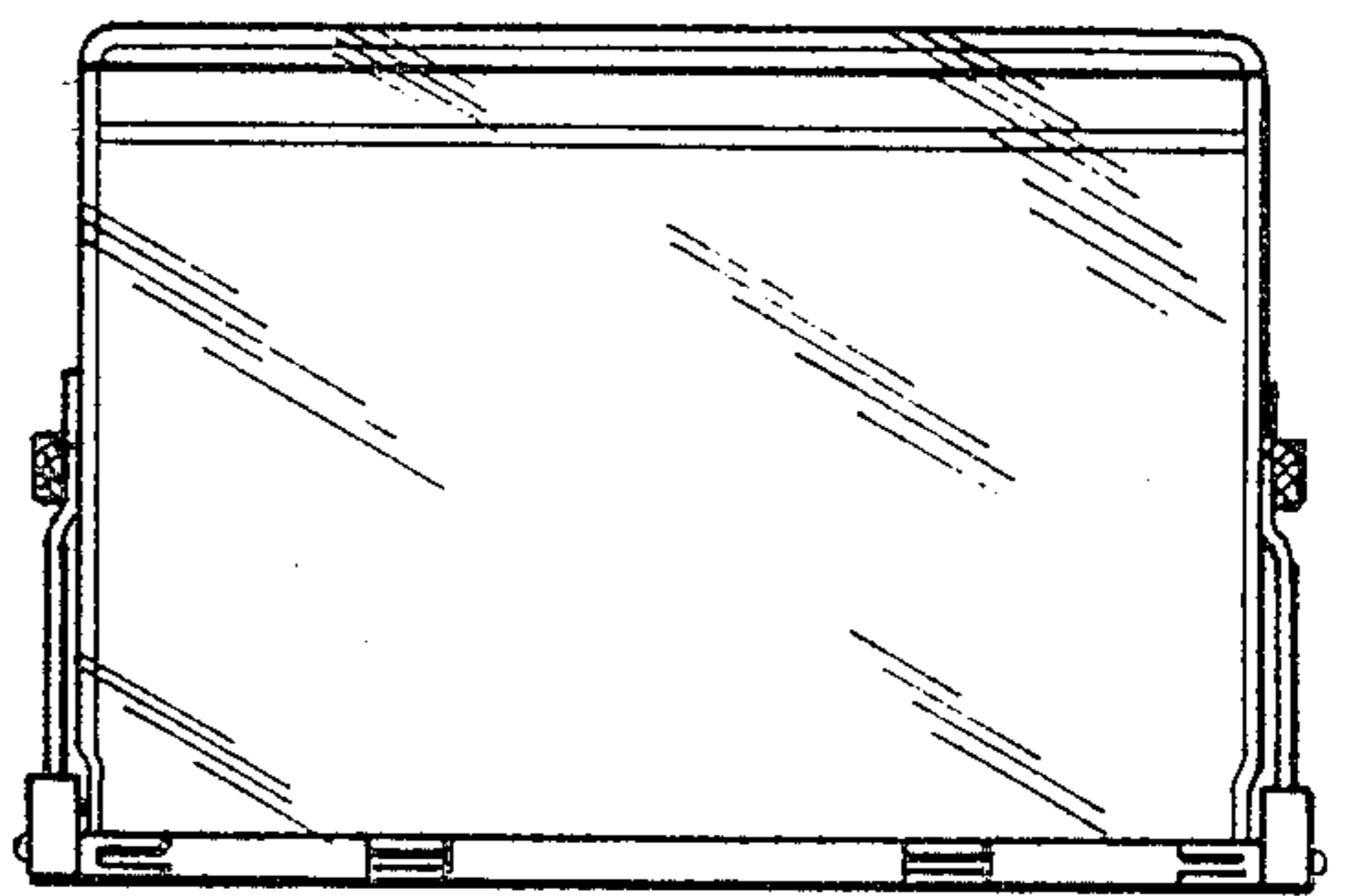


FIG. 5

FIG. 3

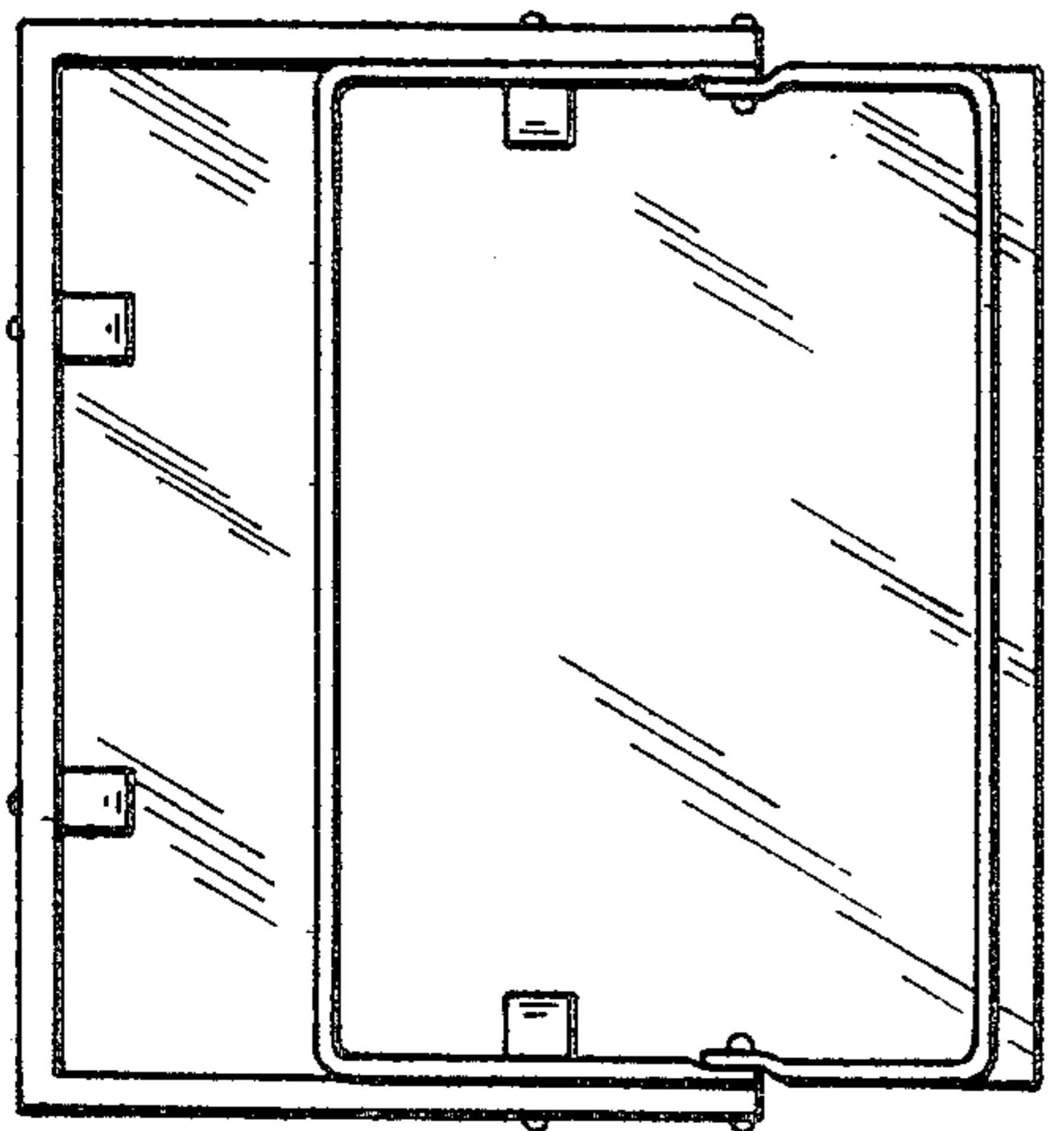
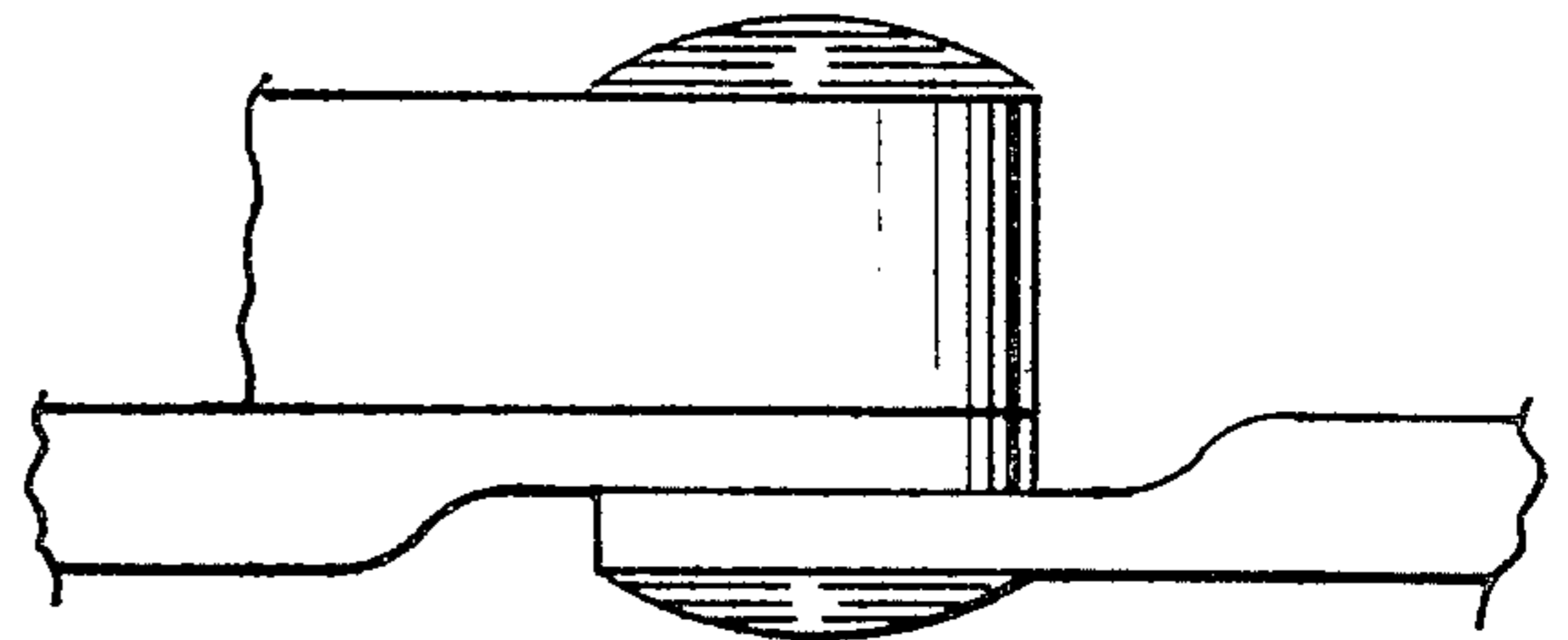


FIG. 6



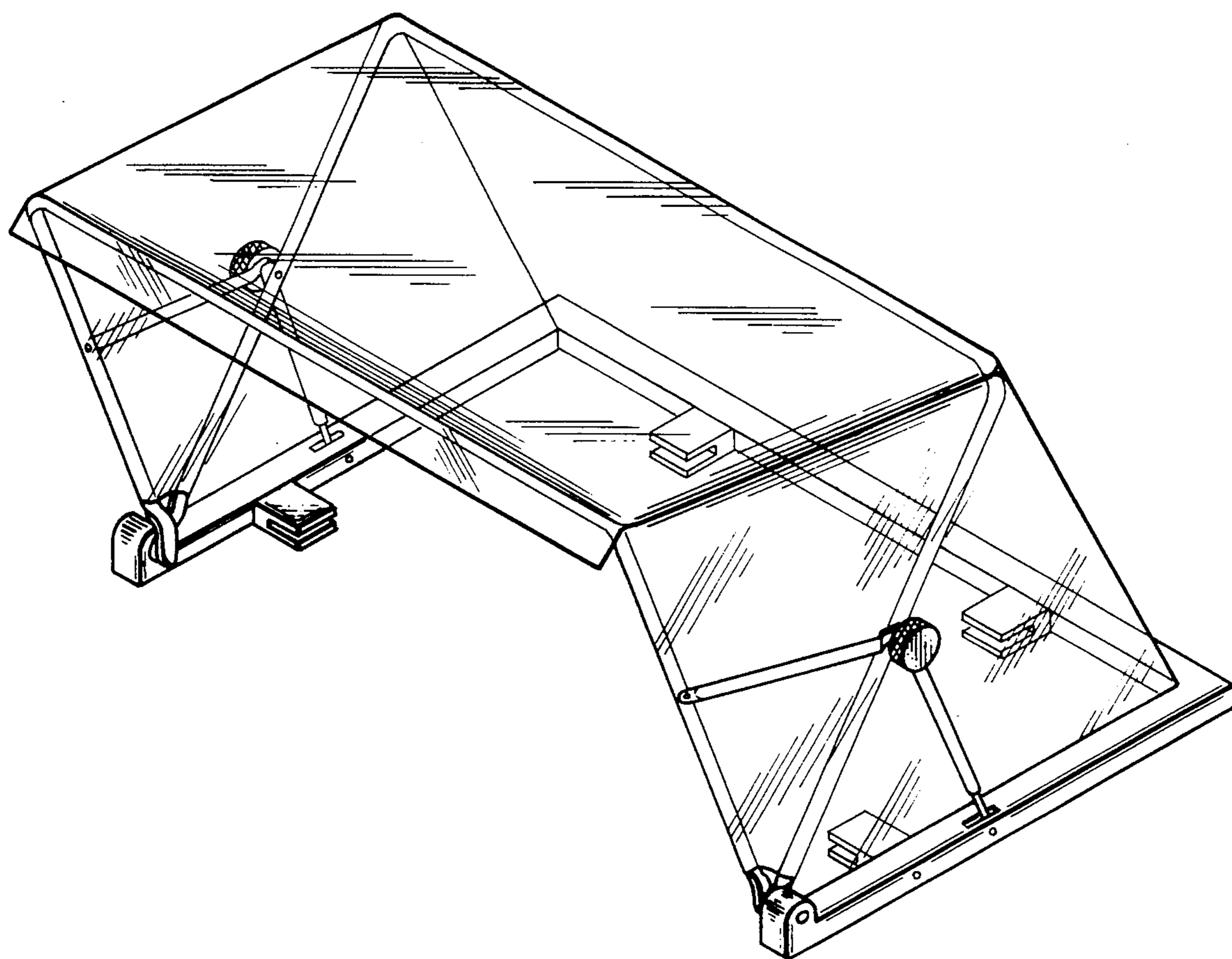


FIG. 7