

[54] COMBINATION SHOE

[75] Inventor: Kyung W. Ji, Pusan, Rep. of Korea

[73] Assignee: Kukje America Corp., Rutherford, N.J.

[**] Term: 14 Years

[21] Appl. No.: 473,117

[22] Filed: Mar. 7, 1983

[52] U.S. Cl. D2/310; D2/265

[58] Field of Search D2/265, 309, 310, 311, D2/312, 313; 36/83, 84, 114, 115, 129, 101, 89, 100, 97

[56] References Cited

U.S. PATENT DOCUMENTS

D. 64,068	2/1924	Kezy	D2/313
D. 202,805	2/1966	Werner	36/136 X
D. 247,136	2/1978	Mizoguchi	D2/309
D. 272,964	3/1984	Feigelstock	D2/310
1,472,415	10/1923	Haggerty	36/89
2,686,376	8/1954	Burkholz	36/101 X
3,327,410	6/1967	Park	D2/309 X
4,366,634	1/1983	Giese	36/114

FOREIGN PATENT DOCUMENTS

309978	12/1918	Fed. Rep. of Germany	36/89
1140140	2/1957	France	36/101

OTHER PUBLICATIONS

Recreation Manager—10/63—Back Cover—Shoes at bottom.

Primary Examiner—Nelson C. Holtje
Attorney, Agent, or Firm—Charles E. Temko

[57] CLAIM

The ornamental design for a combination shoe, substantially as shown and described.

DESCRIPTION

FIG. 1 is a top plan view of a combination shoe showing my new design;
FIG. 2 is a side elevational view thereof;
FIG. 3 is a front elevational view thereof;
FIG. 4 is a side elevational view thereof, showing the side opposite that seen in FIG. 2;
FIG. 5 is a rear elevational view thereof; and
FIG. 6 is a bottom plan view thereof.

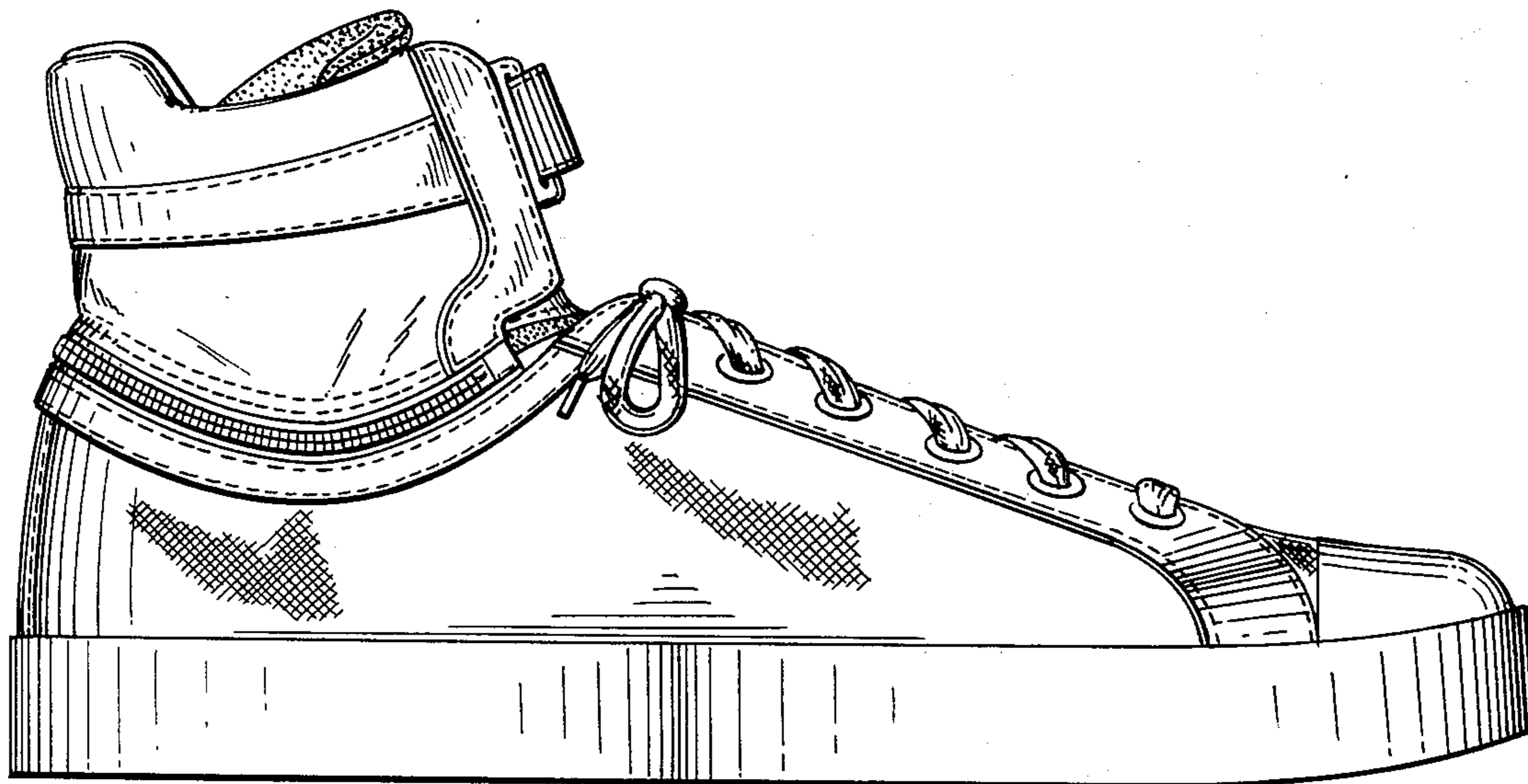


FIG. 1

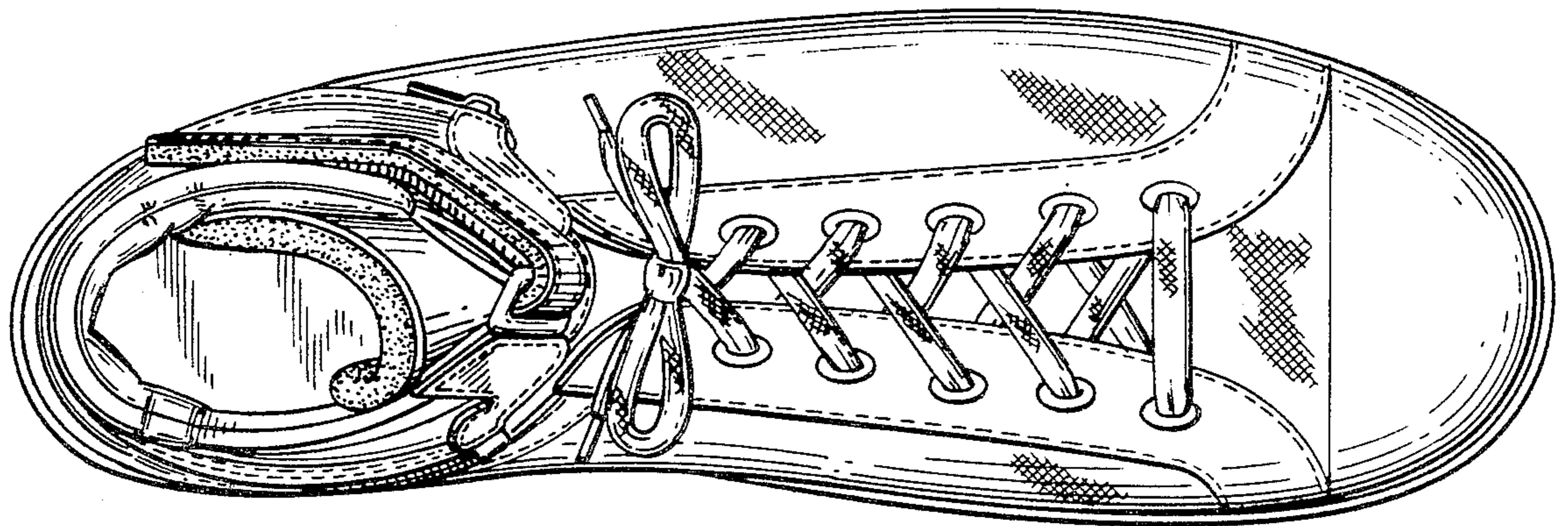


FIG. 2

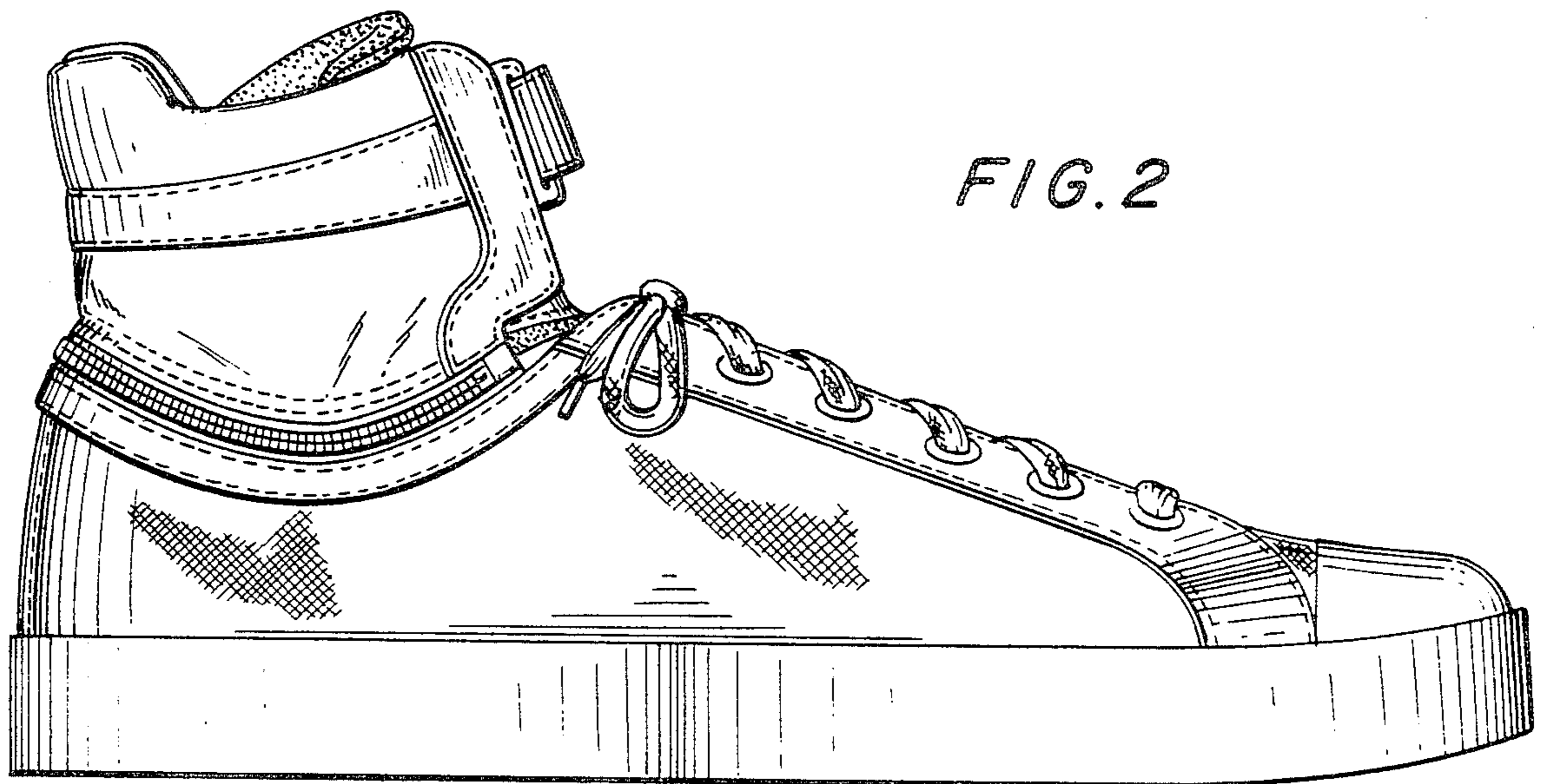


FIG. 3

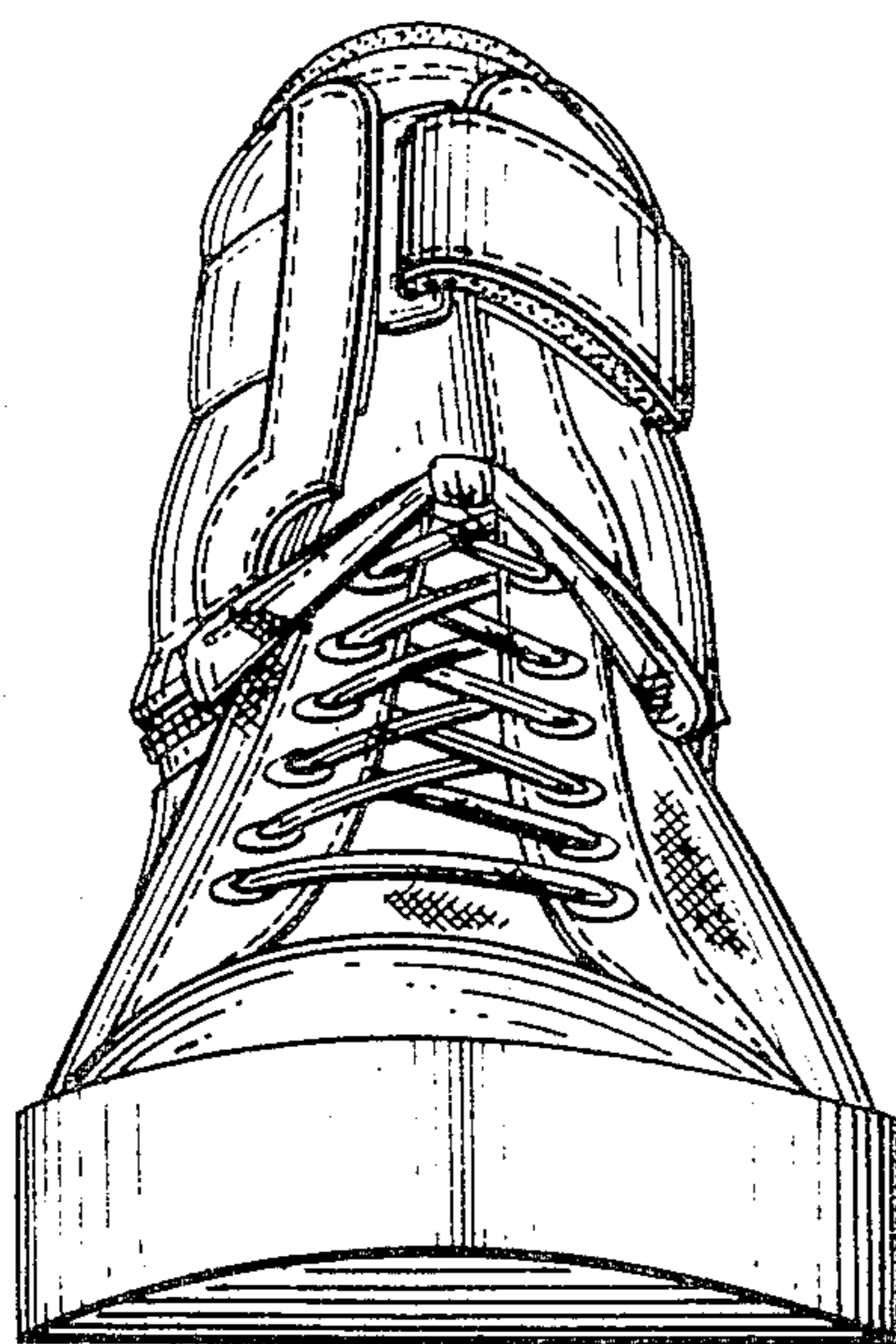


FIG. 4

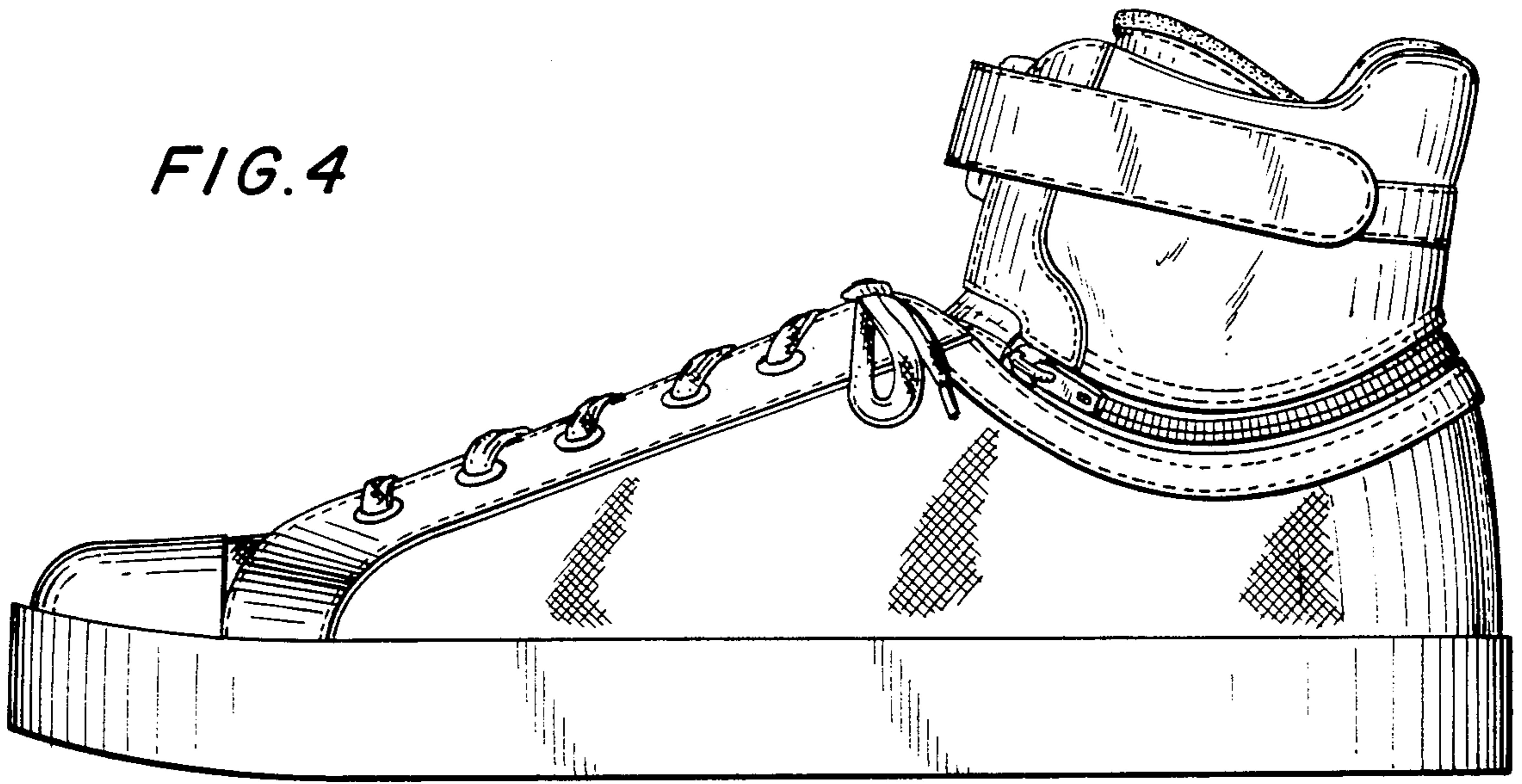


FIG. 5

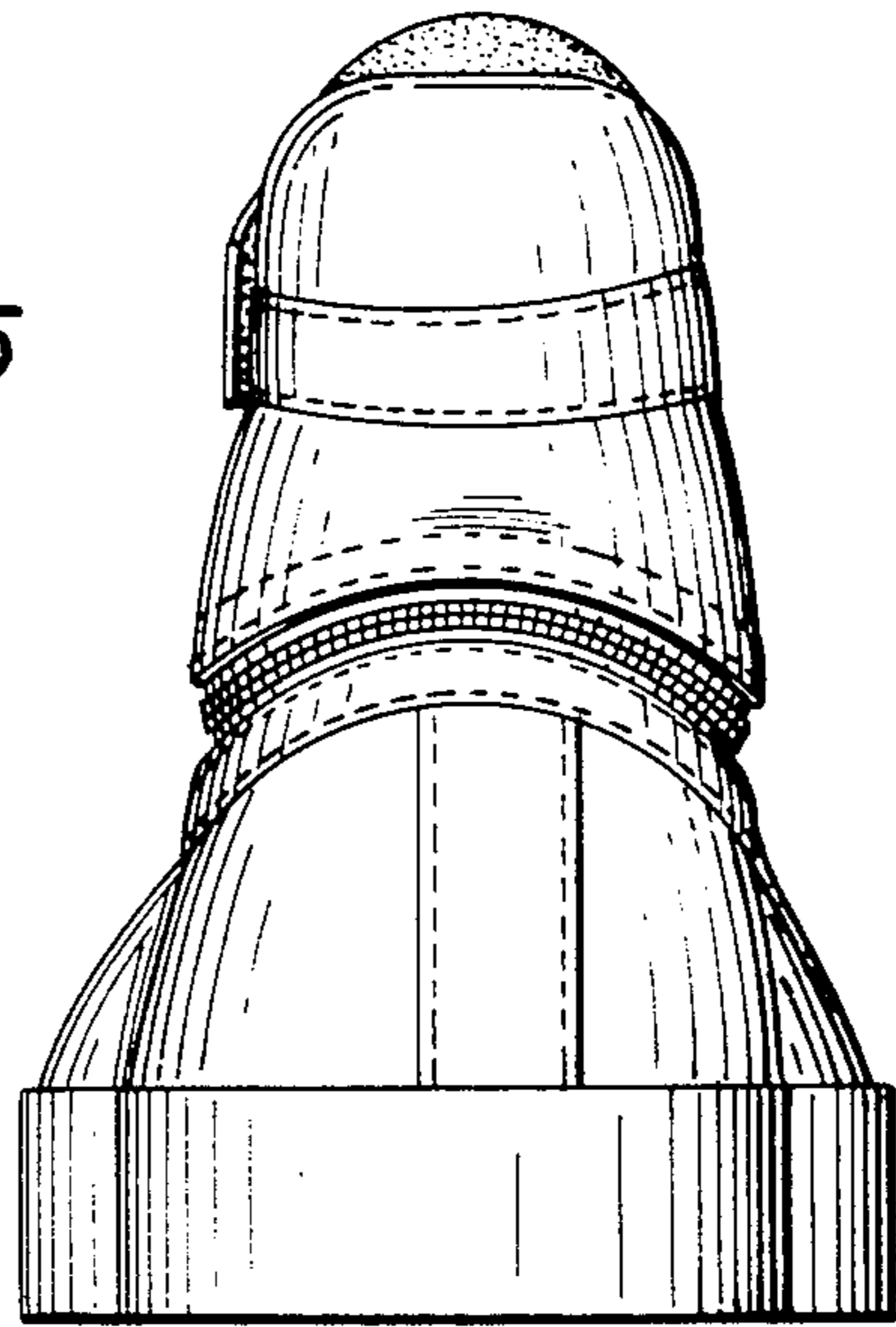


FIG. 6

