

[54] POOL CLEANER

[75] Inventor: John L. Gard, Mountain View, Calif.

[73] Assignee: Arneson Products, Inc., Corte Madera, Calif.

[**] Term: 14 Years

[21] Appl. No.: 434,089

[22] Filed: Oct. 13, 1982

[52] U.S. Cl. D32/1; D32/21; D32/32

[58] Field of Search D32/1, 17, 21, 32; D25/2; 210/169, 149; 15/1.7

[56] References Cited

U.S. PATENT DOCUMENTS

D. 261,655	11/1981	Pansini	D32/32
3,758,276	9/1973	Bond et al.	210/169
3,794,052	2/1974	Koble, Jr. et al.	15/1.7
3,805,815	4/1974	Goodin	15/1.7

3,928,947	12/1975	Millet	15/1.7
3,961,393	6/1976	Pansini	15/1.7
4,087,286	5/1978	Sexton et al.	210/169
4,100,641	7/1978	Pansini	15/1.7
4,105,557	8/1978	Weatherholt	210/169
4,193,228	3/1980	Bowler	15/1.7
4,434,050	2/1984	Selsted	210/169

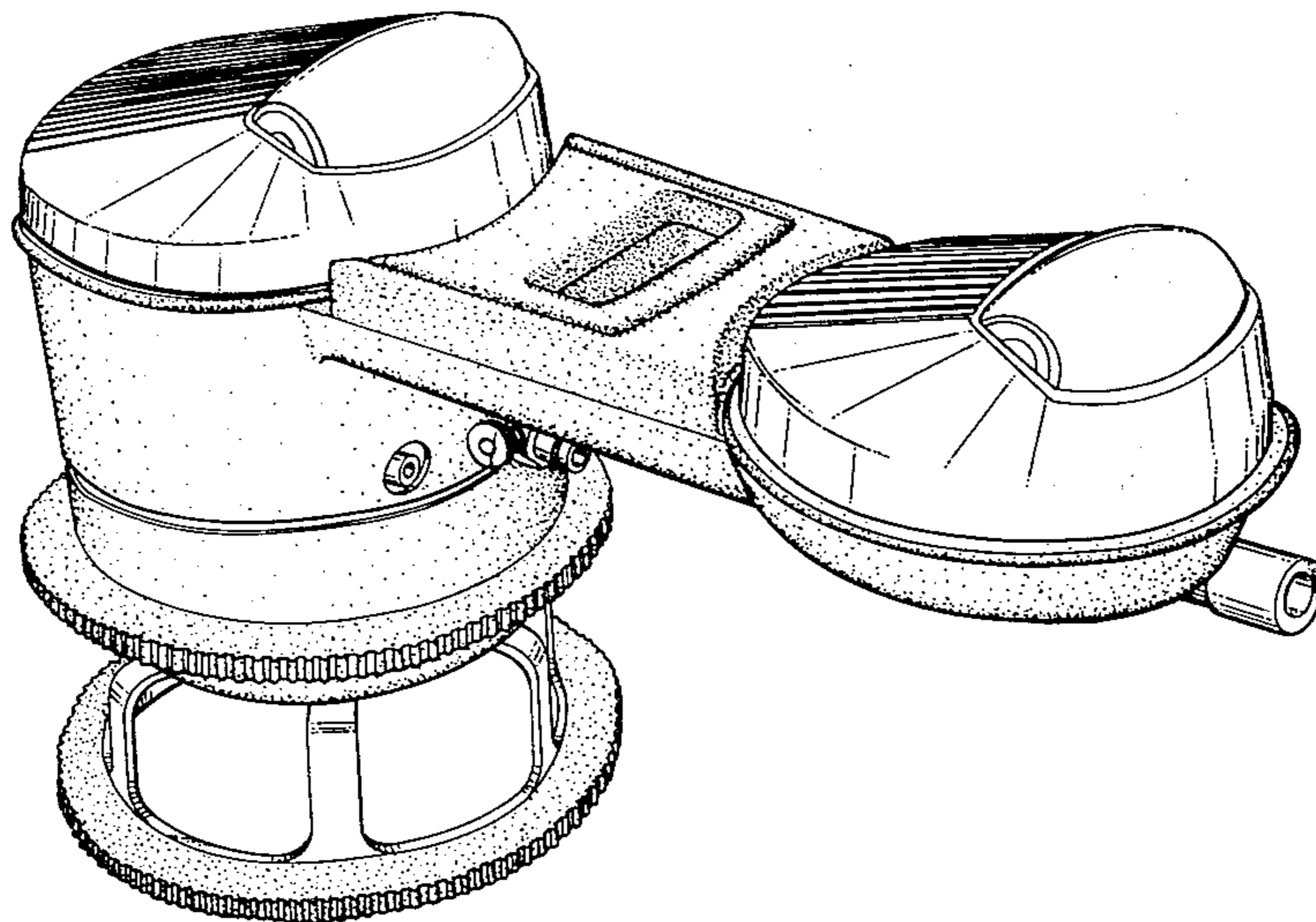
Primary Examiner—Wallace R. Burke
Assistant Examiner—Lynn Wilder

[57] CLAIM

The ornamental design for a pool cleaner, as shown.

DESCRIPTION

FIG. 1 is a perspective view of a pool cleaner showing my new design;
FIG. 2 is a top plan view thereof;
FIG. 3 is a front elevational view thereof;
FIG. 4 is a right elevational view thereof;
FIG. 5 is a left elevational view thereof;
FIG. 6 is a rear elevational view thereof; and,
FIG. 7 is a bottom plan view thereof.



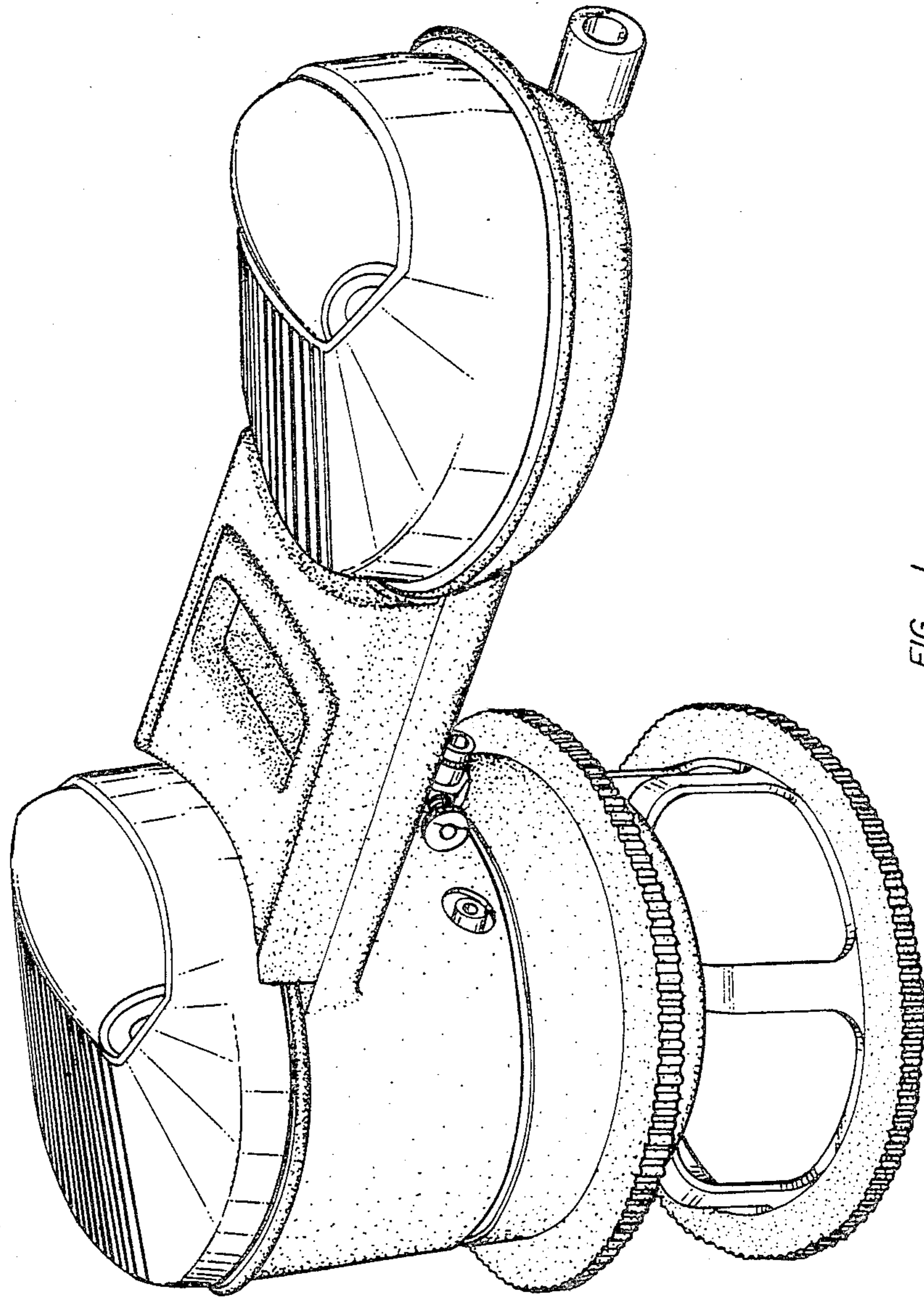


FIG. 1

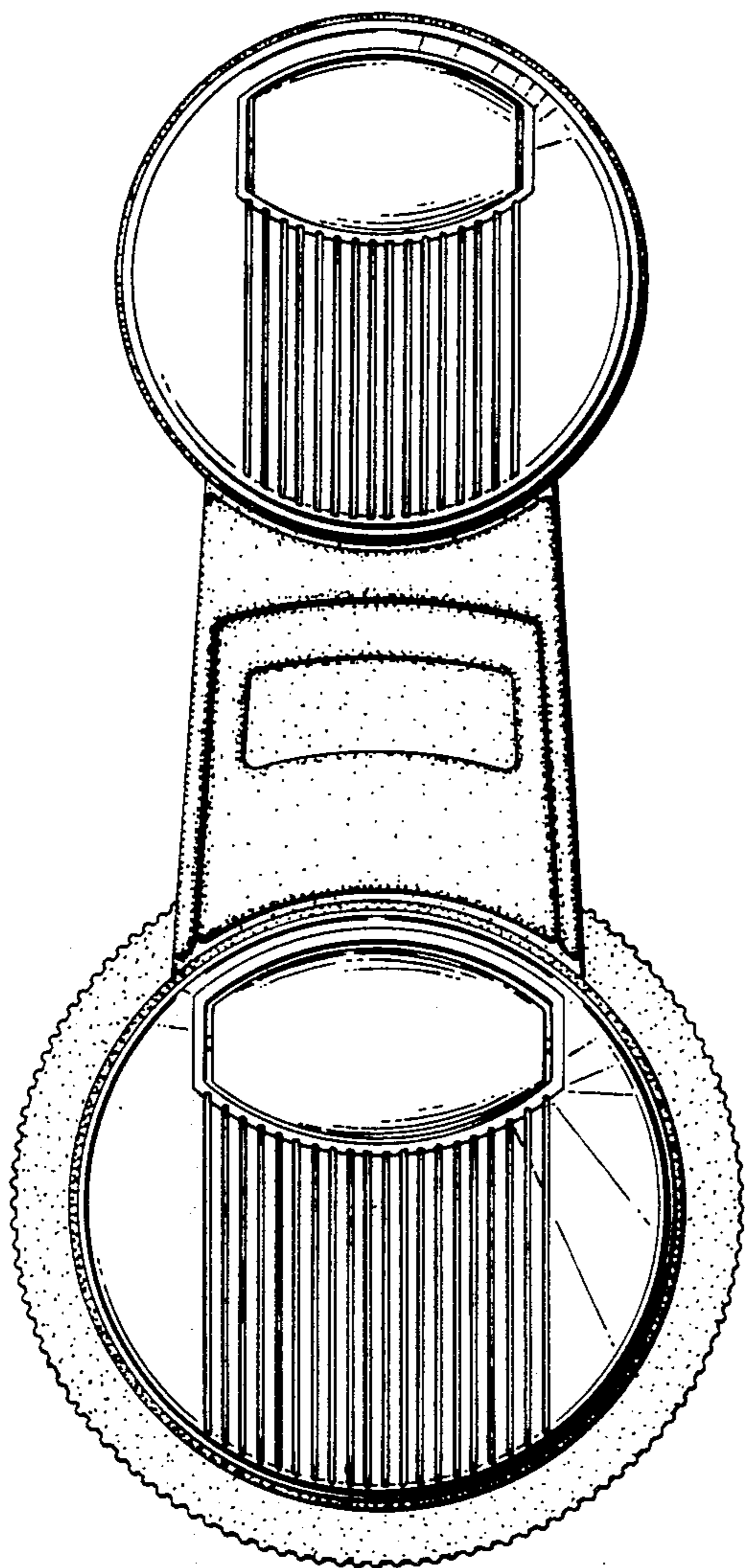


FIG. 2.

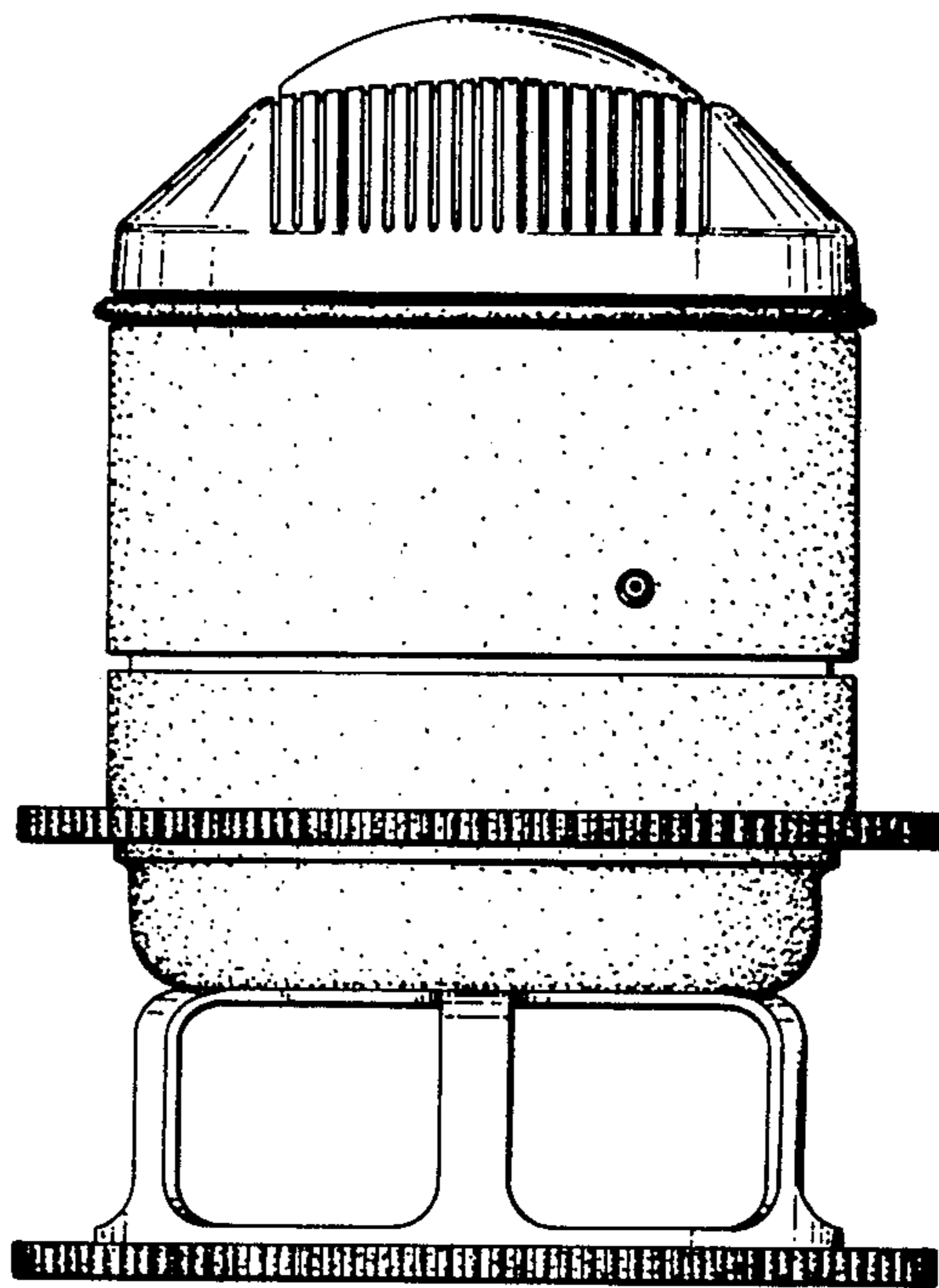


FIG. 3.

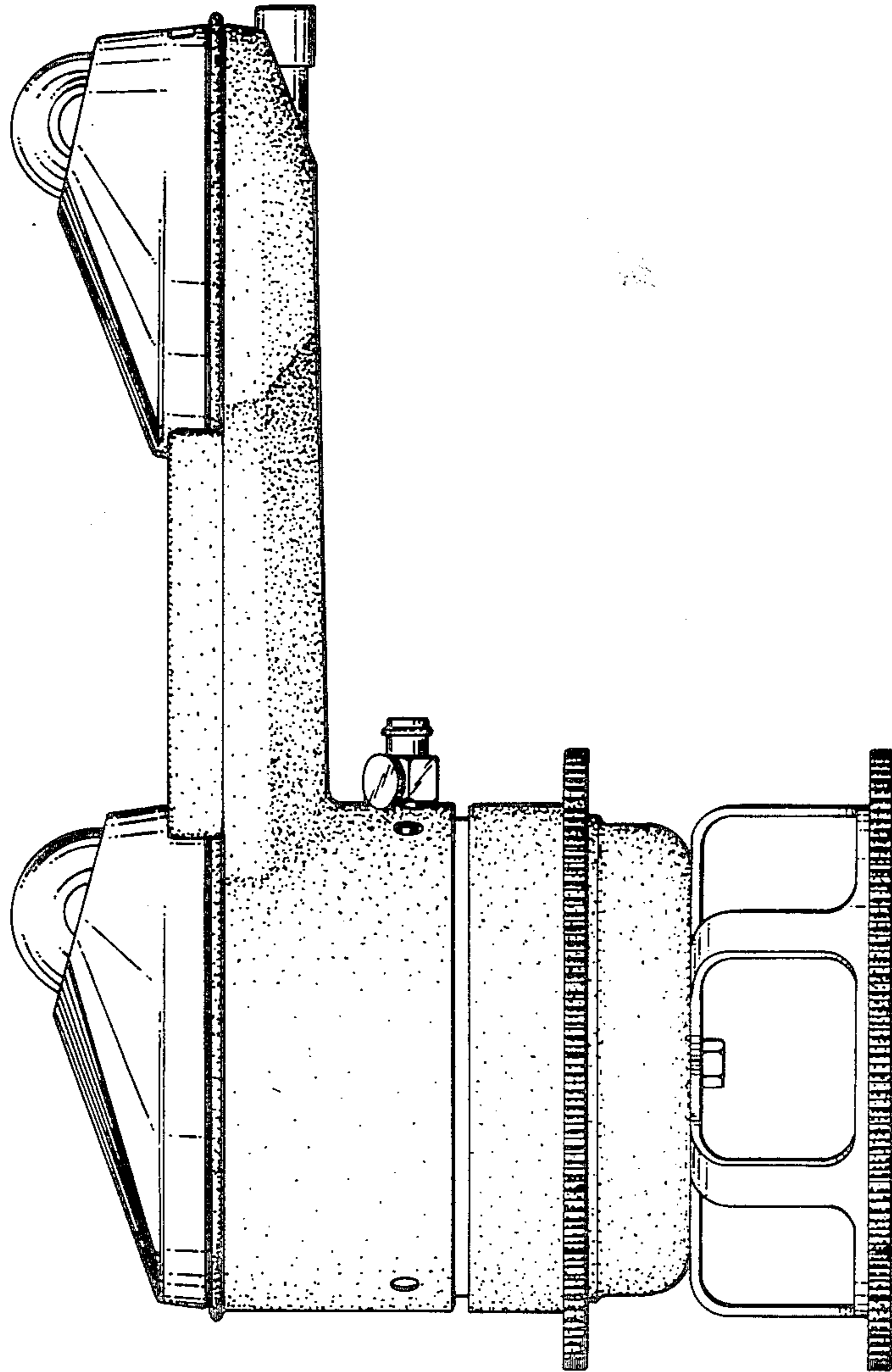


FIG. 4.

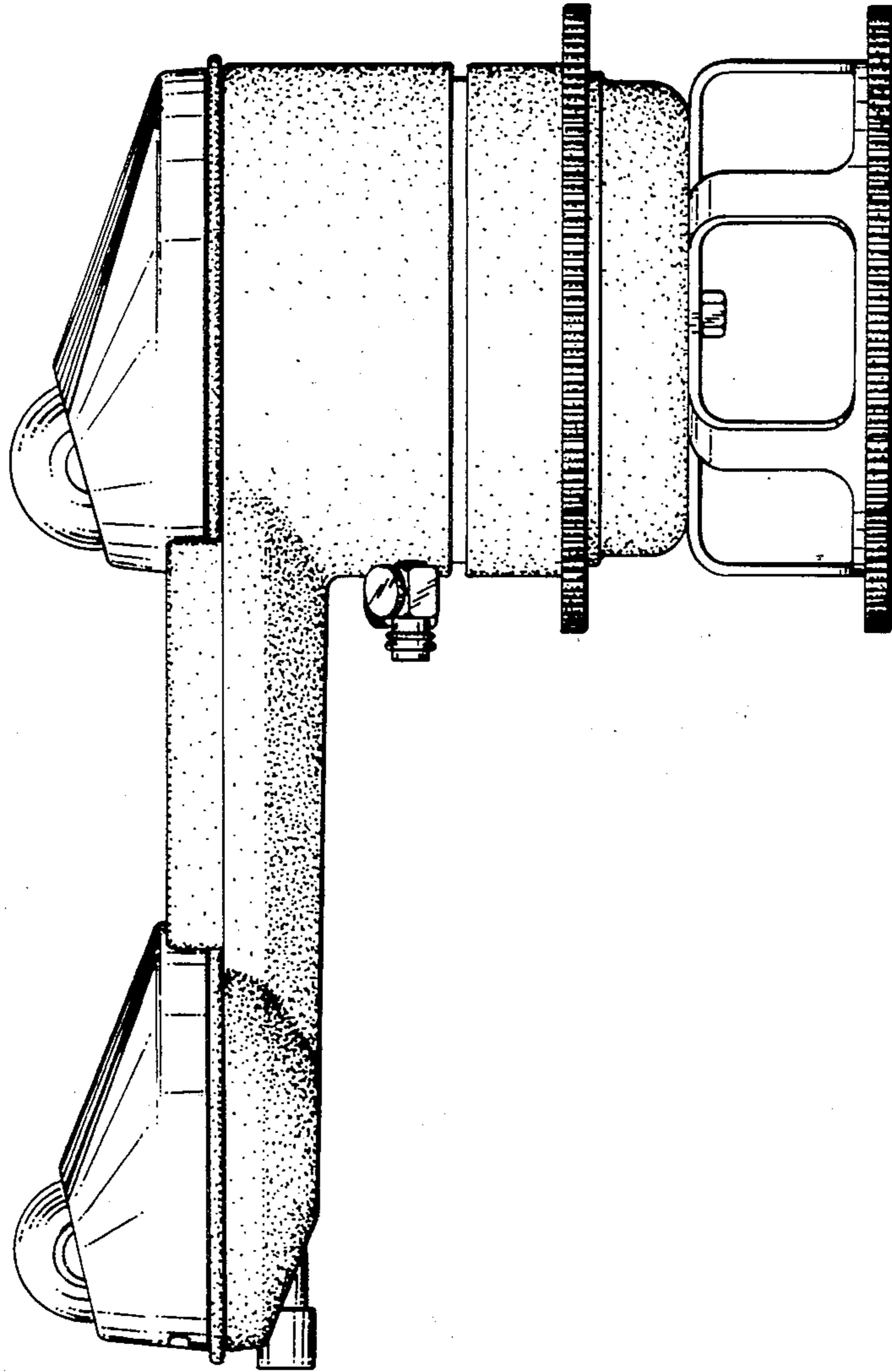


FIG.—5.

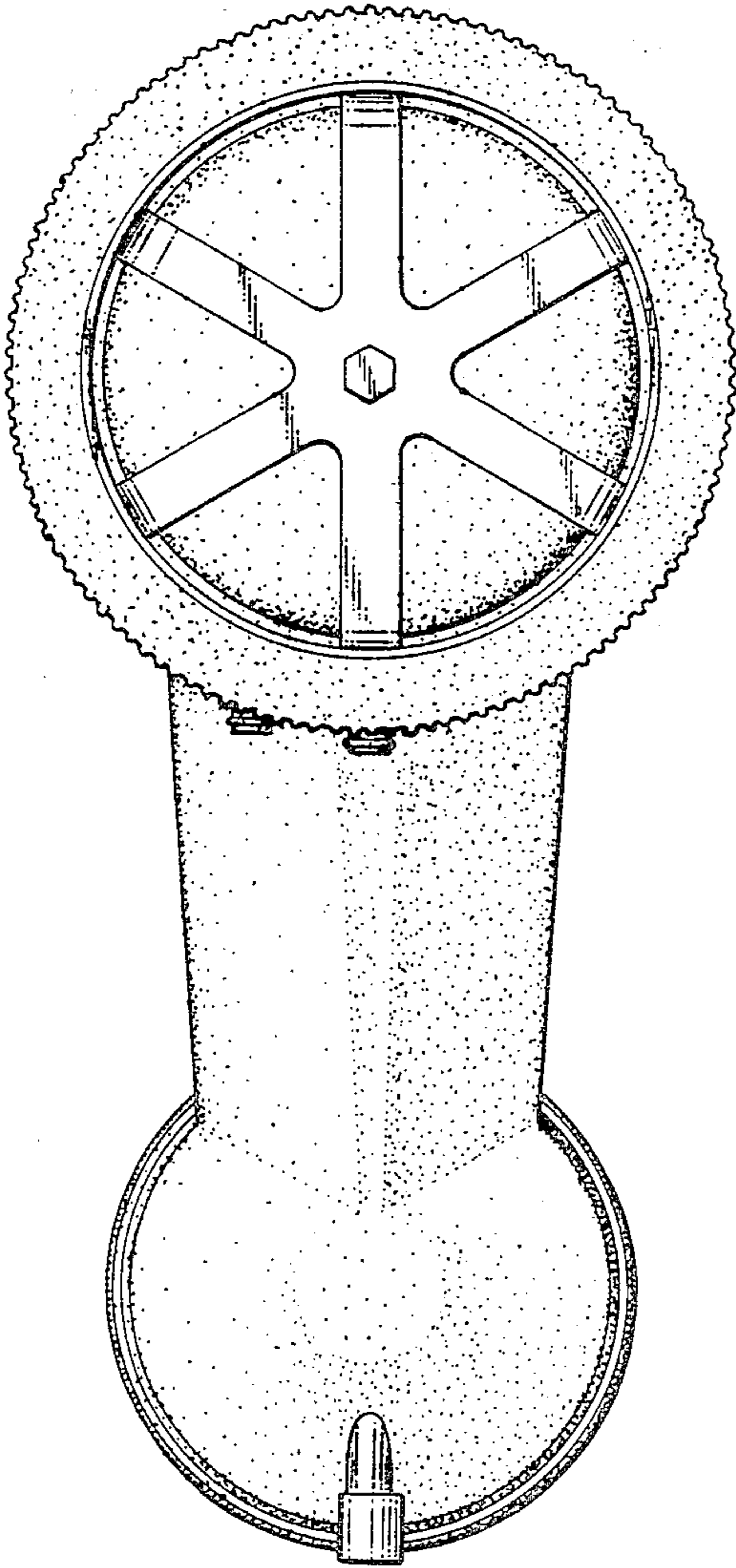


FIG. 6.

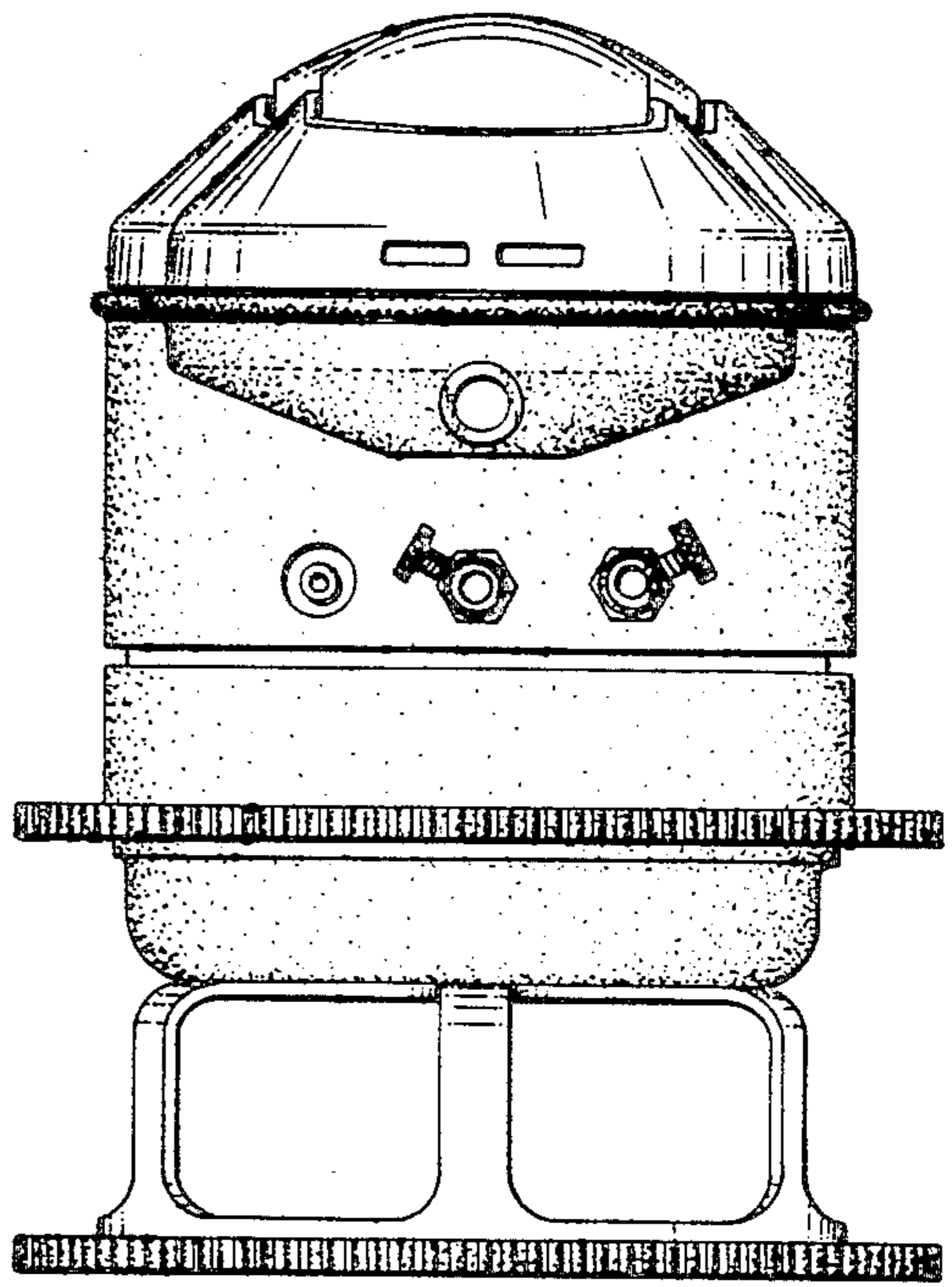


FIG. 7.