

[54] ASHTRAY

[75] Inventor: Clifford E. Grube, Niles, Ill.

[73] Assignee: Associated Mills, Inc., Chicago, Ill.

[**] Term: 14 Years

[21] Appl. No.: 521,892

[22] Filed: Aug. 10, 1983

[52] U.S. Cl. D27/27

[58] Field of Search D27/8-29;
131/231, 235 R, 238, 240 R, 241, 242

[56] References Cited

U.S. PATENT DOCUMENTS

D. 155,048	8/1949	Turulis	D27/27
D. 155,083	9/1949	Frank	D27/27
D. 170,177	8/1953	Wood	D27/27
D. 170,345	9/1953	Veverit	D27/27
D. 185,942	8/1959	Ajdukovich	D27/28

D. 188,085	5/1960	Redmond-Farrance	D27/27
D. 258,316	2/1981	Duin	D27/27

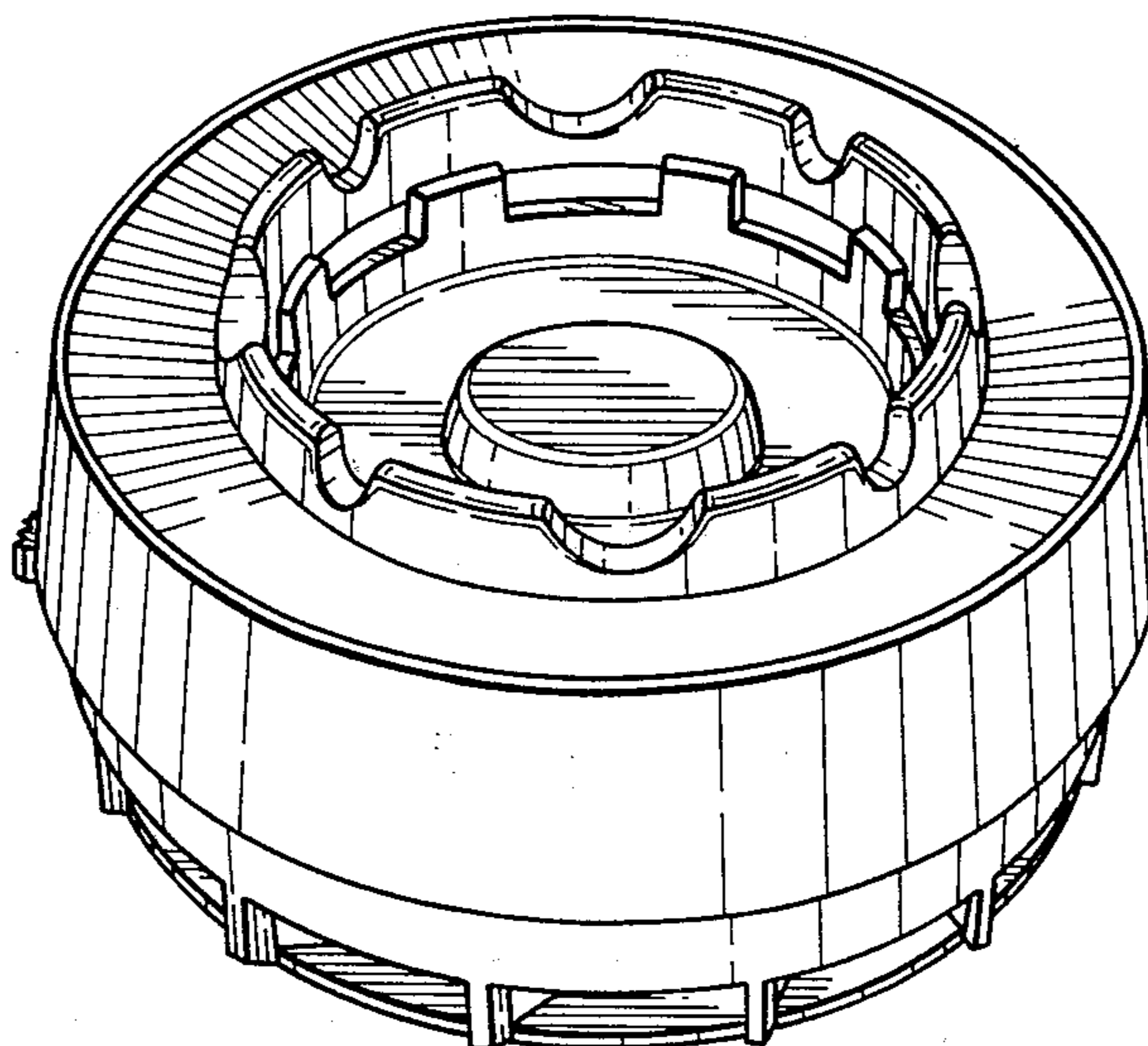
Primary Examiner—Catherine E. Kemper
Attorney, Agent, or Firm—Allegretti, Newitt, Witcoff & McAndrews, Ltd.

[57] CLAIM

The ornamental design for an ashtray, as shown and described.

DESCRIPTION

FIG. 1 is a perspective view of an ashtray showing my new design;
FIG. 2 is a top plan view thereof;
FIG. 3 is a right side elevational view thereof, the left side elevational view being a substantial mirror image thereof;
FIG. 4 is a front plan view thereof;
FIG. 5 is a rear plan view thereof; and
FIG. 6 is a bottom plan view thereof.



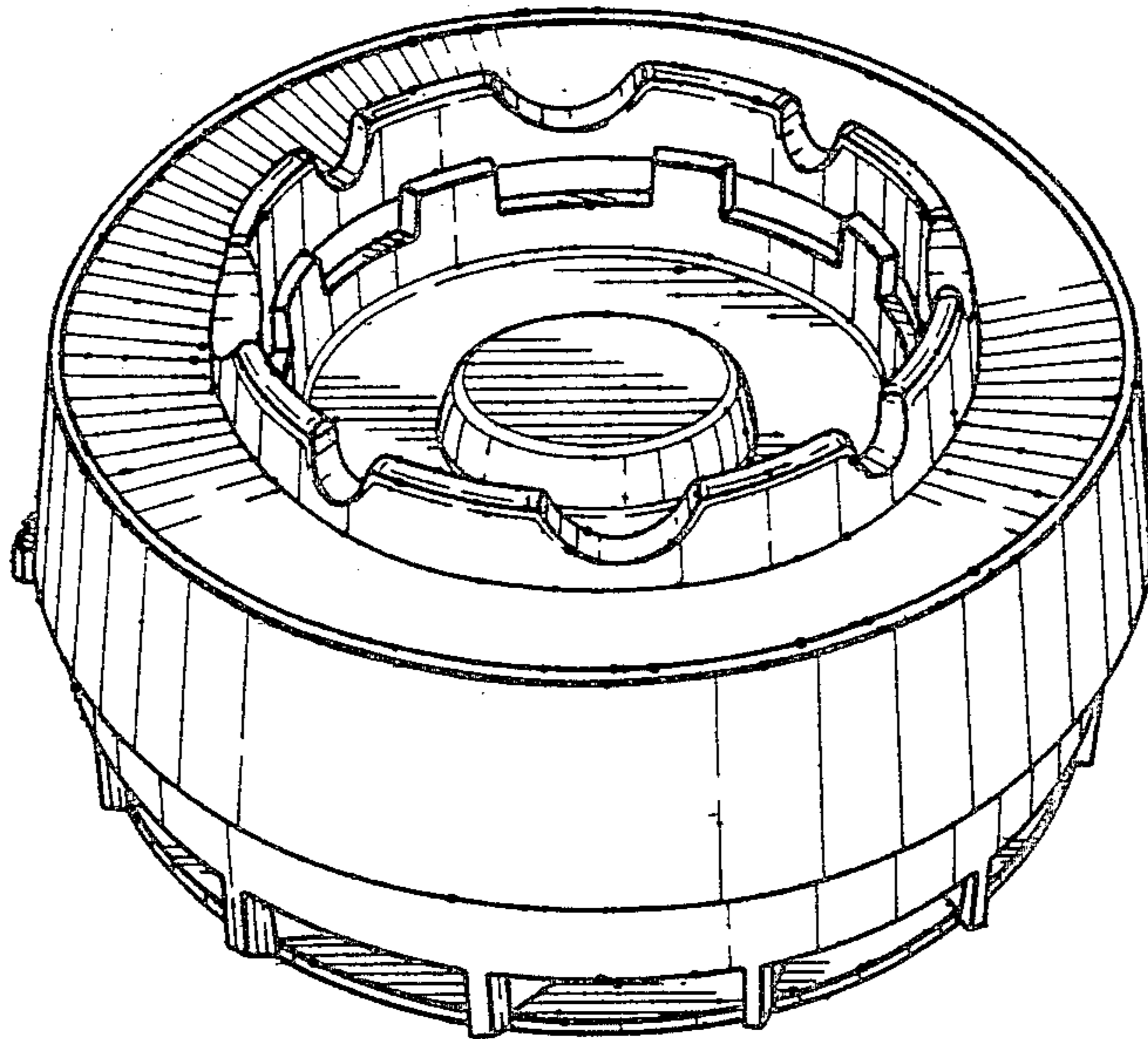


FIG. 1

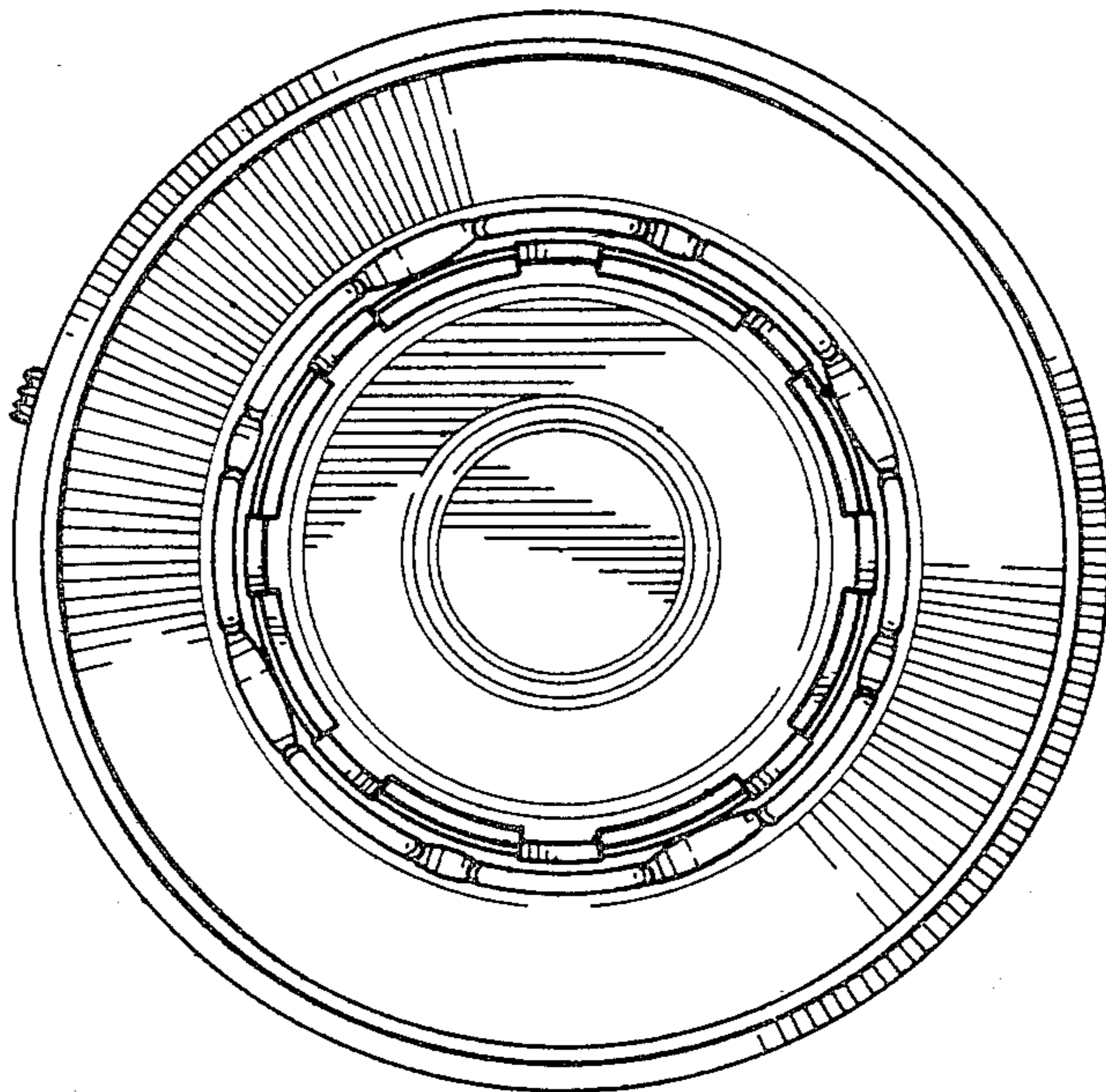


FIG. 2

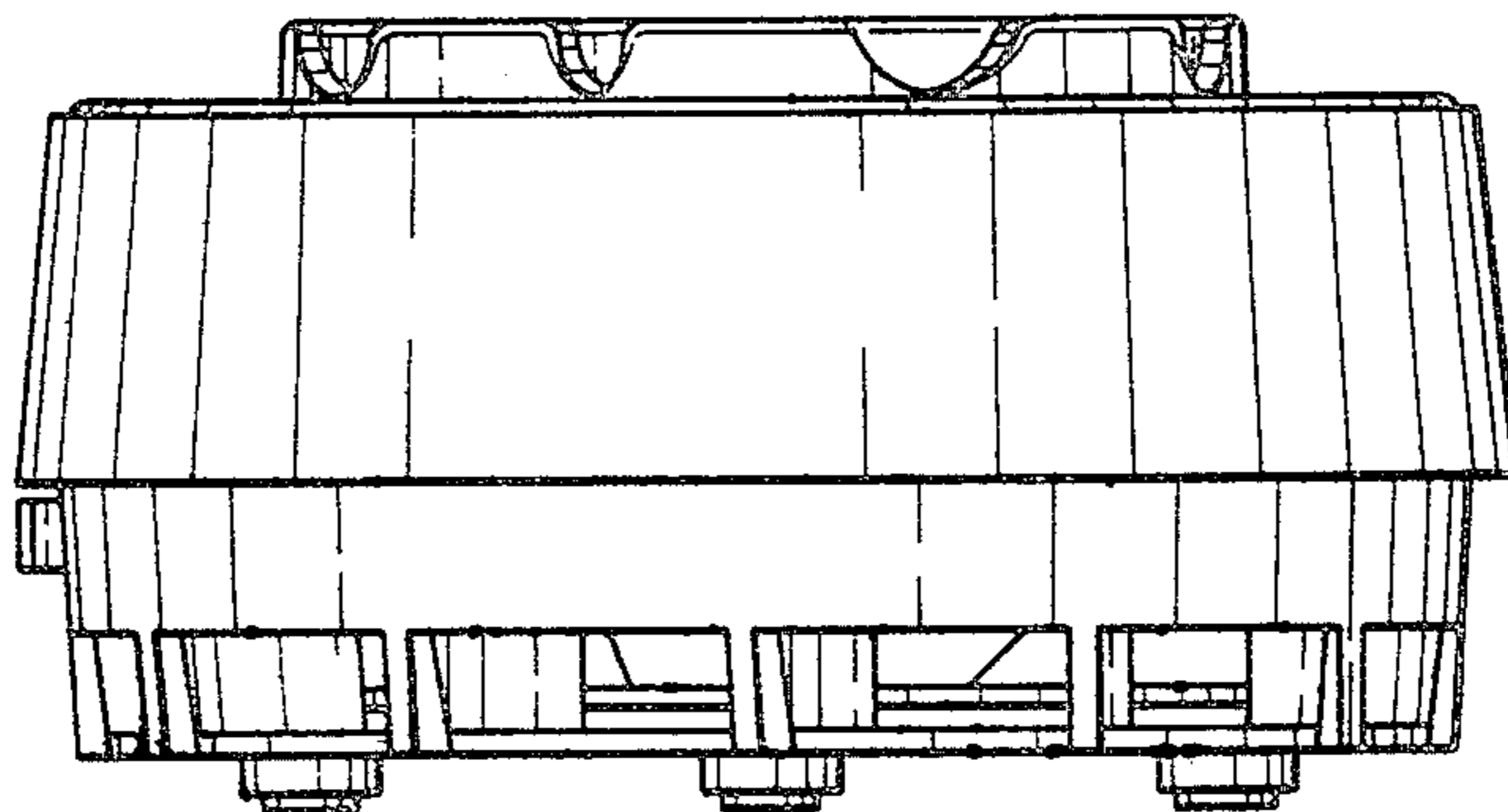


FIG. 3

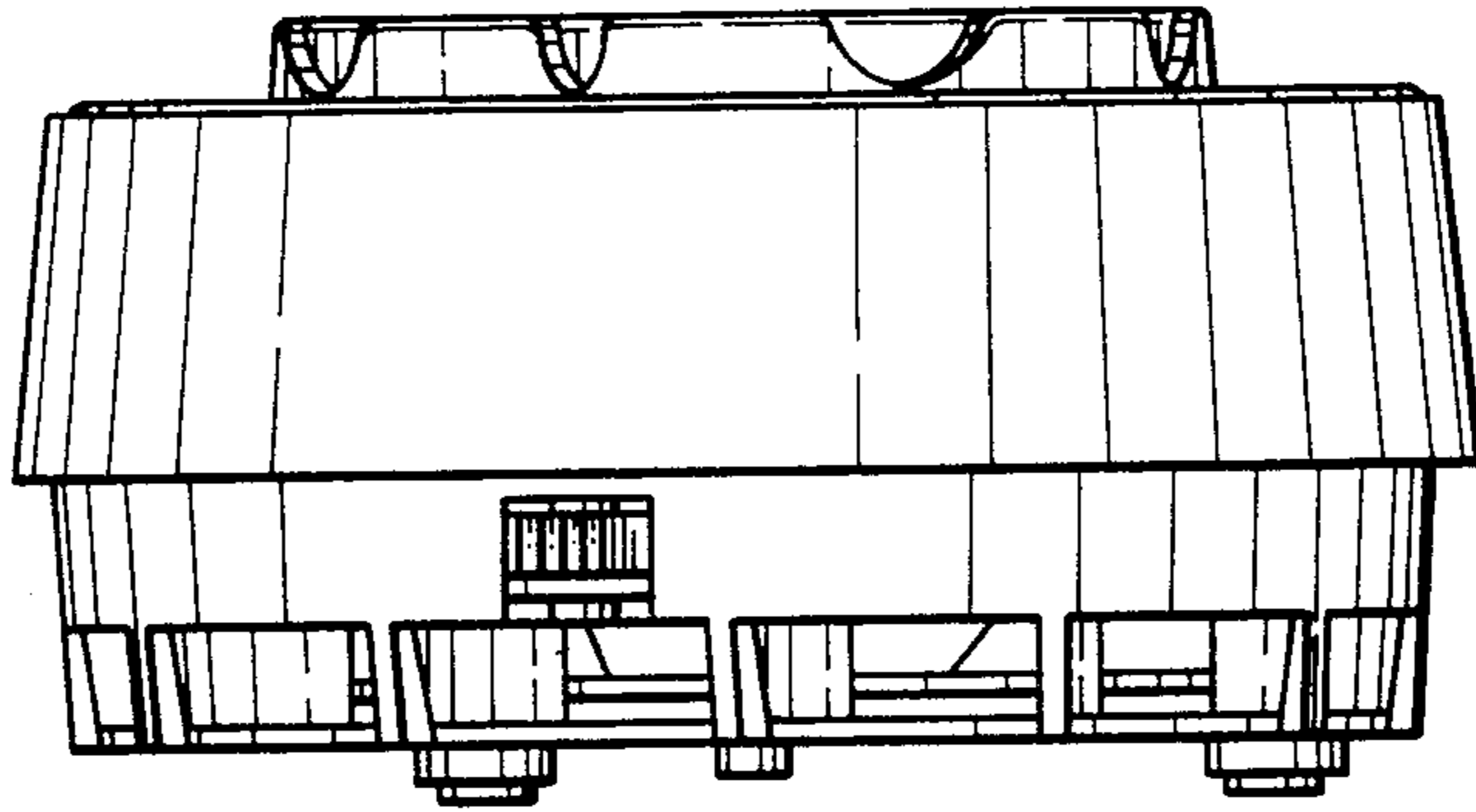


FIG. 4

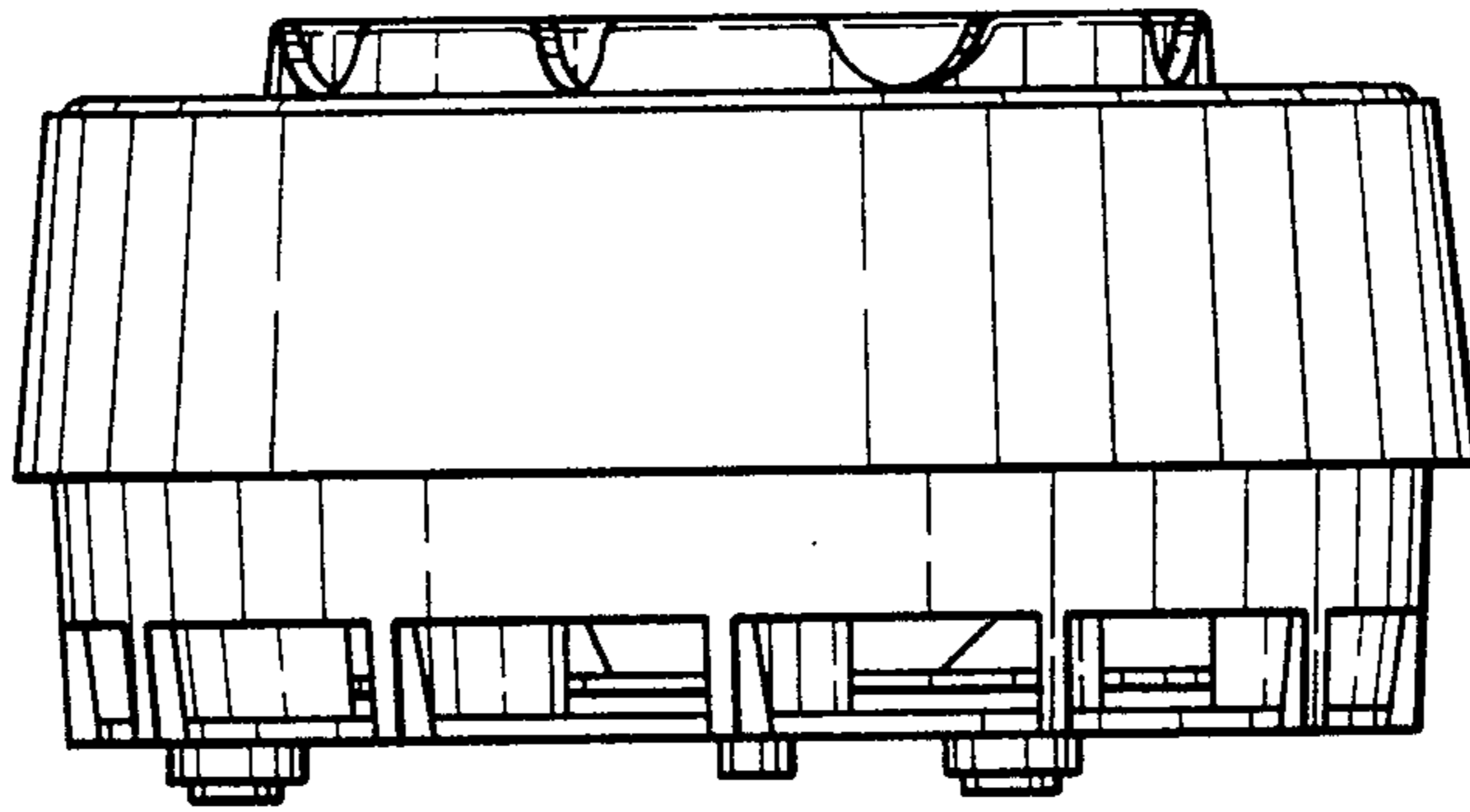


FIG. 5

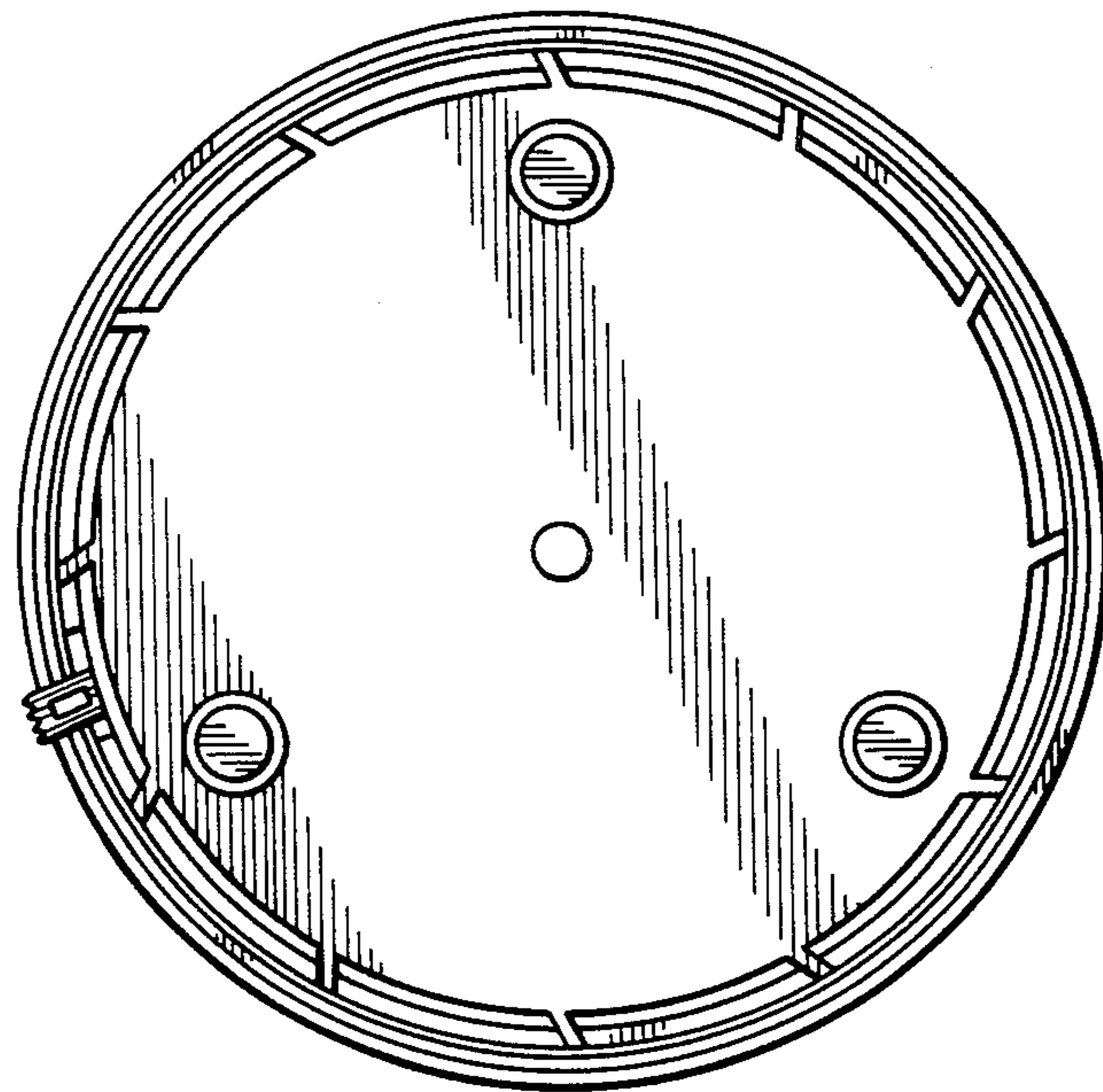


FIG. 6